

# **INSTRUCTION MANUAL**

## **Double Roof Hardtop Gazebo**

### **Series A34**

IF YOU PURCHASED THE GAZEBO ONLINE AND HAVE ANY  
QUESTIONS OR CONCERNS

PLEASE CONTACT US WITH EMAIL OR MESSAGE

Email: [hiwarrantyservice@outlook.com](mailto:hiwarrantyservice@outlook.com)

TEXT: +1 628-263-4608

# Warnings and Cautions

## Warnings and Cautions

Thank you for choosing our gazebo. Please read these instructions thoroughly before assembly and use.

Before start the assembly process, we suggest you to get familiar with this product. Make sure all parts listed up in below packing lists are delivered and If you find any parts missing or damaged please do not install but contact us immediately.

1. Do not mount this gazebo yourself but contact a professional workman for help if
  - you are unsure if the gazebo can be mounted on the place you chose for installation.
  - you do not understand the instruction manual or parts of it.
  - you do not have necessary tools available.
  - you do not have necessary technical knowledge.
2. A minimum of two healthy adults are required to move and install the gazebo.
3. Keep children and pets out of the working area during assembly and adjustments.
4. This product and its fixing parts are only suitable for installation on a plain cement wall or stable brickwork. If the wall/brickwork shows cracks you have to consult a professional.
5. Nobody is allowed to change the products' design and structure without the permission of manufacture or authorized deputy.
6. Please make sure that your hands are clean at the time of the assembly; otherwise you may soil frame and gazebo top.
7. Nobody is allowed to climb onto the gazebo. Hanging heavy things on the Gazebo is forbidden.
8. This structure is a non-permanent structure and the warranty does not cover damage incurred under extreme weather conditions including heavy rain, high winds or if exposed to high heat from heaters or BBQs.
9. Never leave children unattended around/under this gazebo.
10. Do not attempt to assemble or use the gazebo in moderate or heavy wind conditions.
11. Never set up or continue to use in any rain, wind or storm conditions, especially lightning storms. Damage can occur to your gazebo and put you and others in potential danger.
12. Safety precautions should always be followed when assembling and using this product to reduce the risk of personal injury and damage to equipment.
13. Please read all instructions before assembly and use.



Pistol Drill



Tape Measure



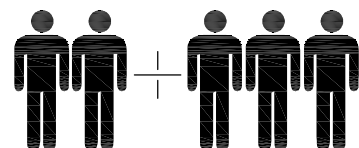
Hammer



Screwdriver



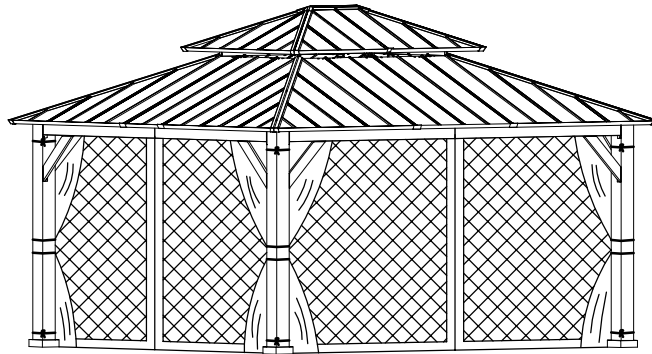
Ladder



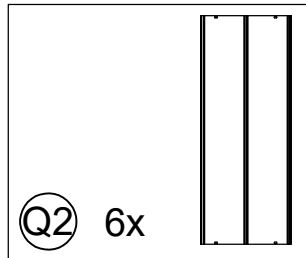
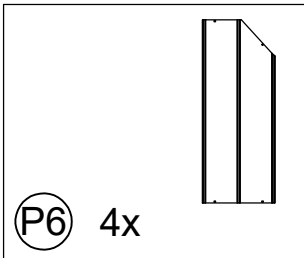
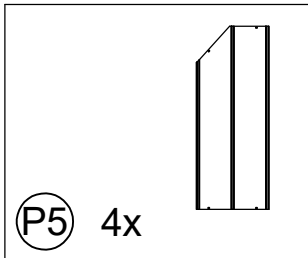
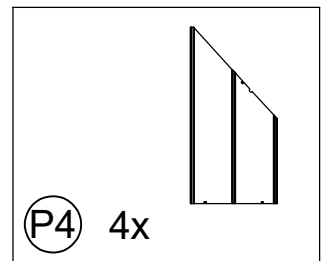
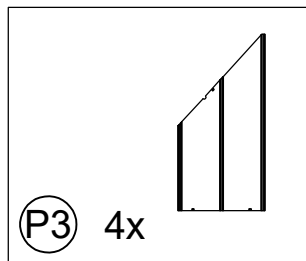
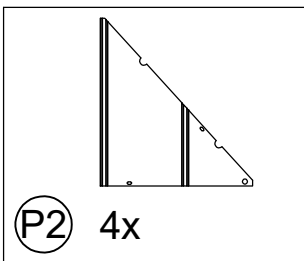
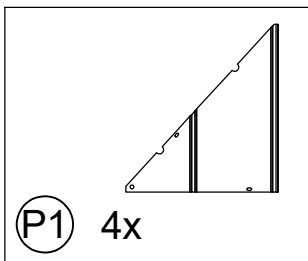
5 people

**Attention:**

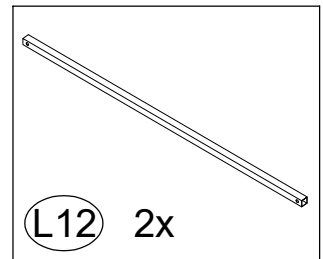
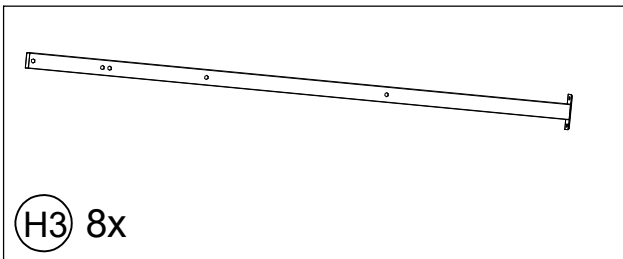
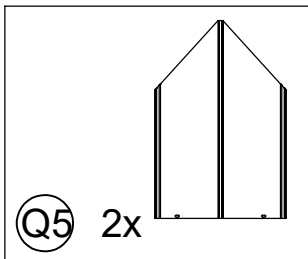
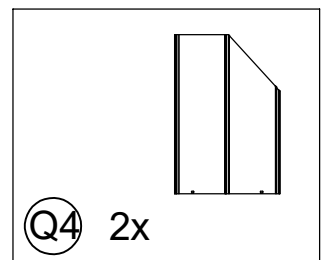
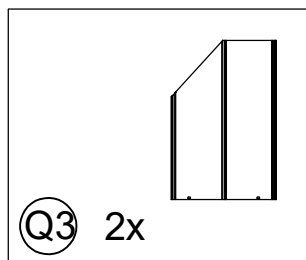
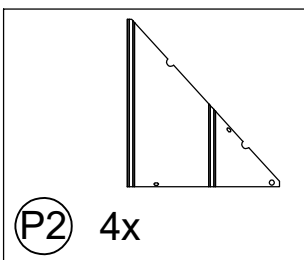
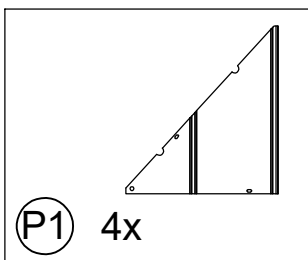
1. Please fix all the screws first, do not lock off, after assembling is fully completed, lock all at once finally.
2. Please check the manual carefully and make sure you have received all the parts.
3. If there is any missing, please let us know the letter of the parts you need.
4. If there is any damage, please send clear photos to us, we will check and offer you best solution soon.

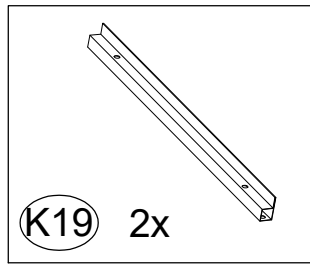
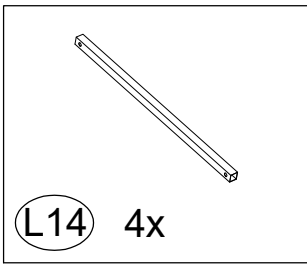
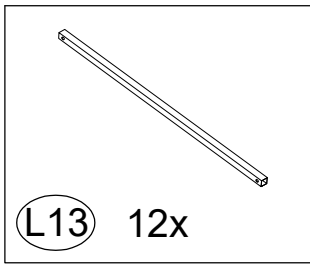


**Parts List (Box A)**

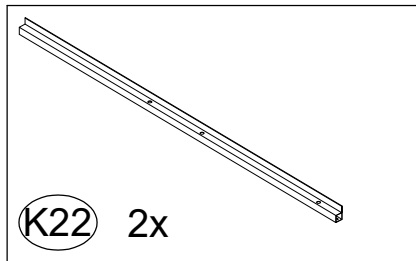
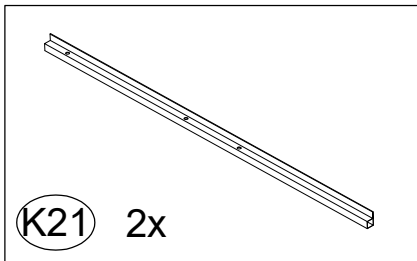
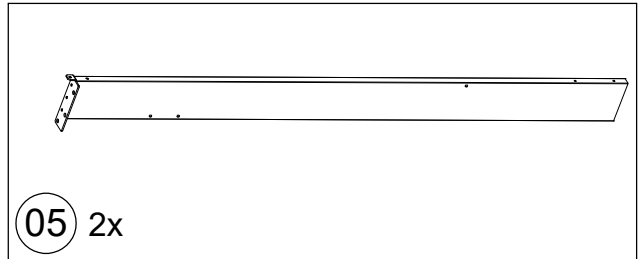
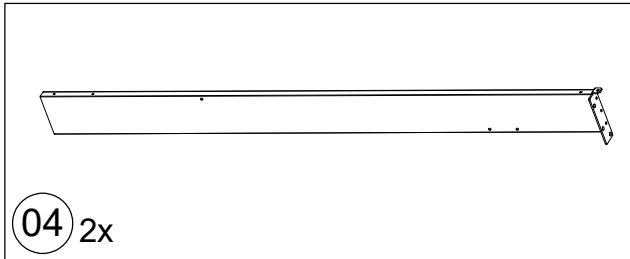
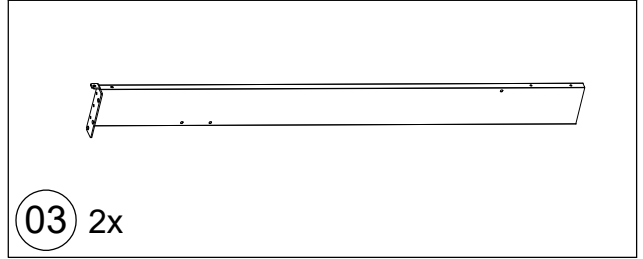
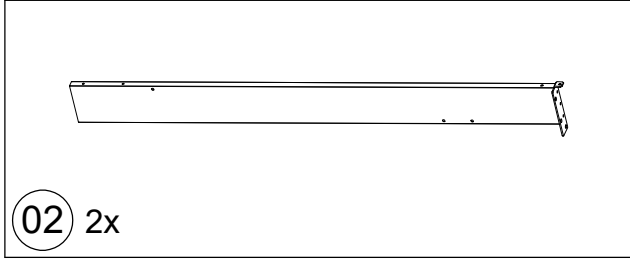


**Parts List (Box B)**

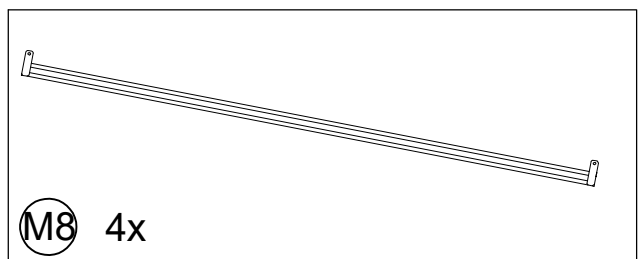
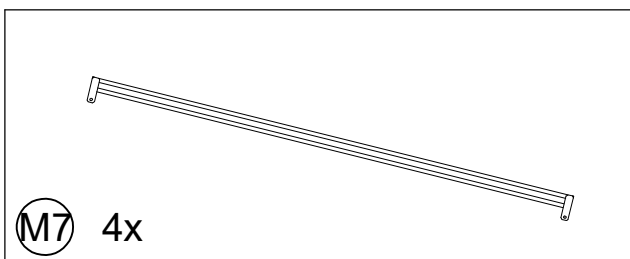
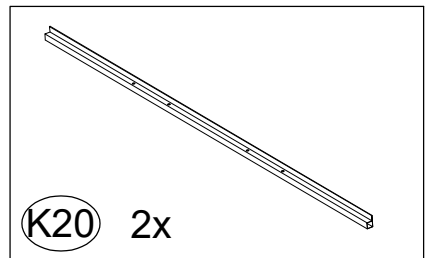
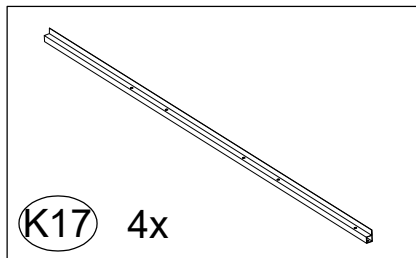
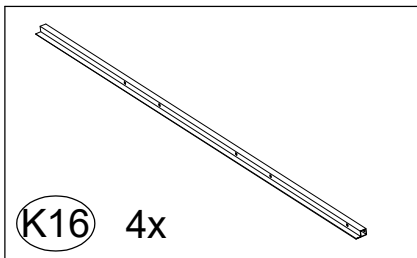
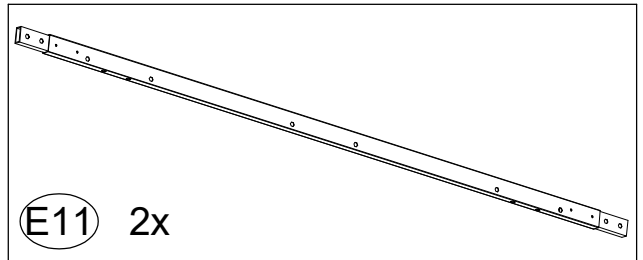
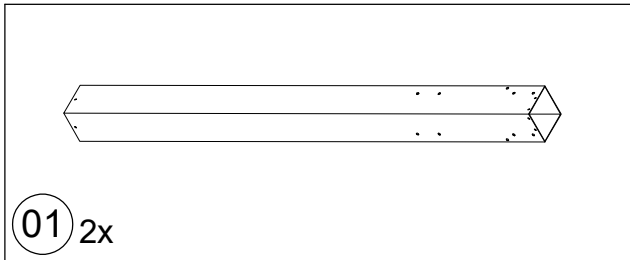


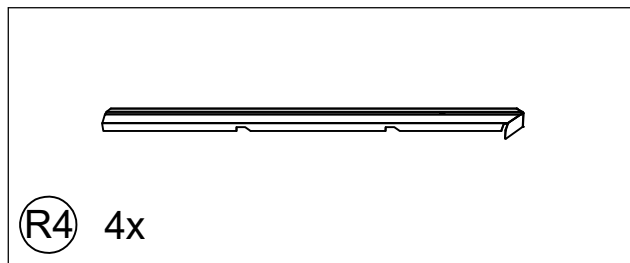
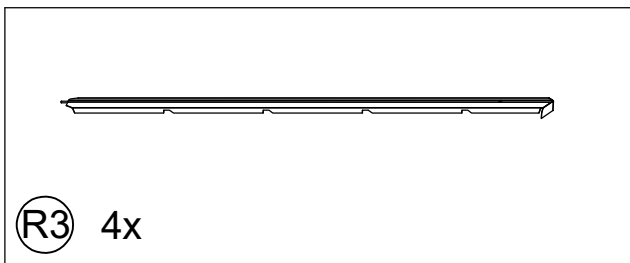


### Parts List (Box C)

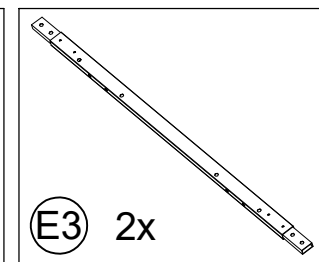
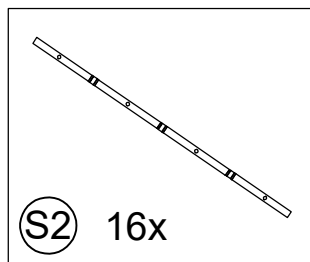
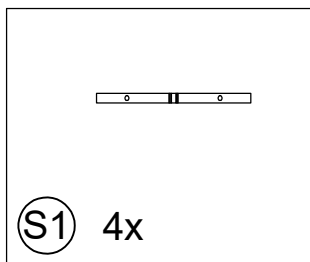
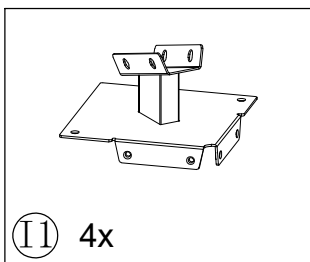
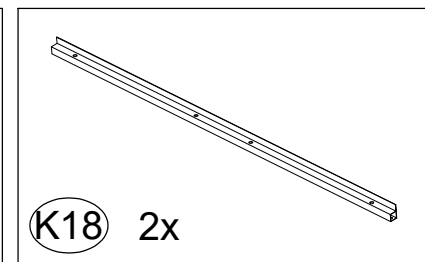
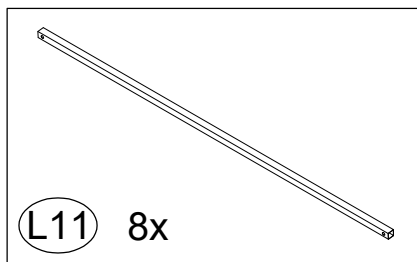
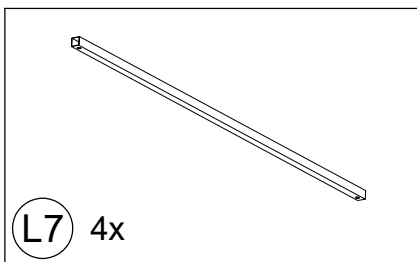
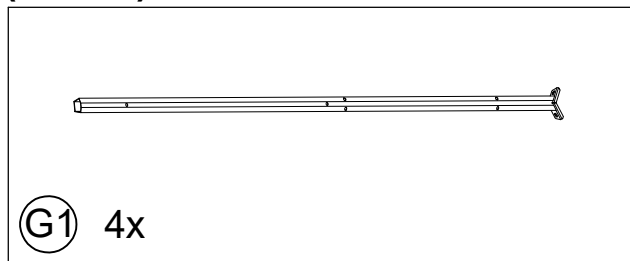
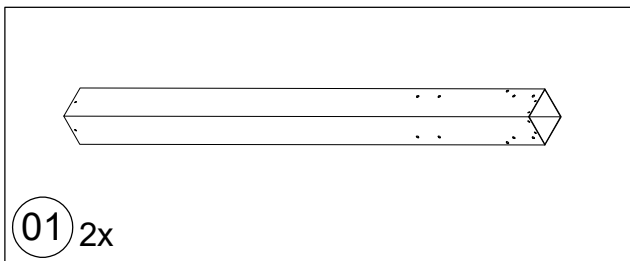


### Parts List (Box D)

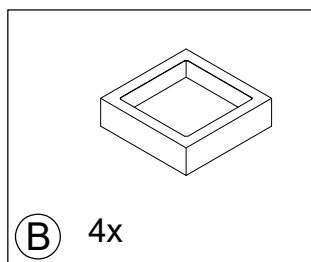
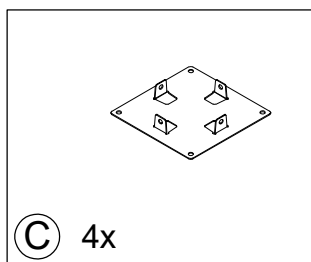
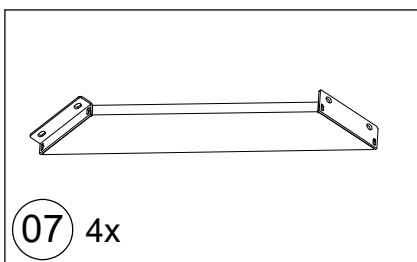
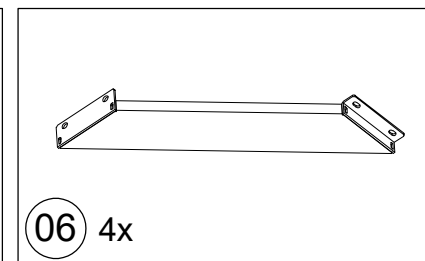
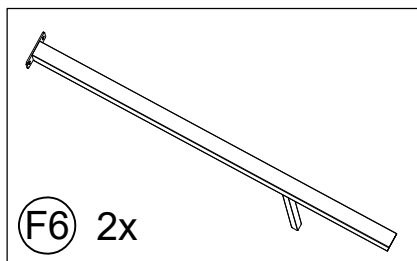
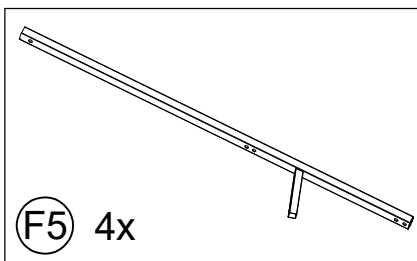
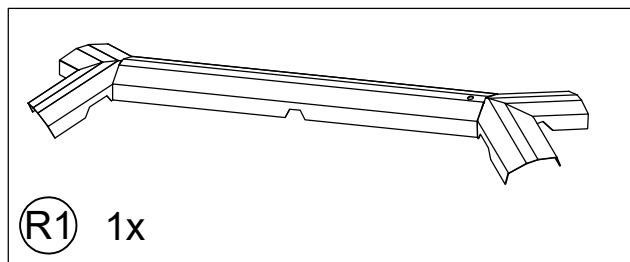
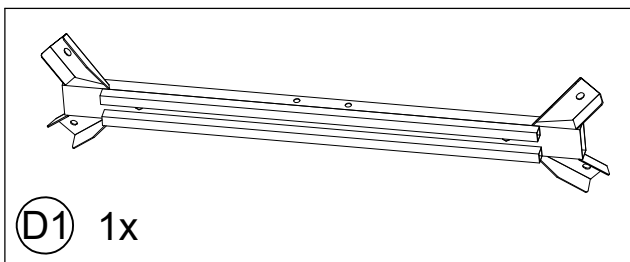


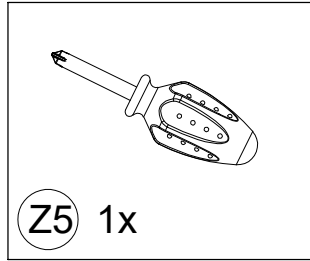
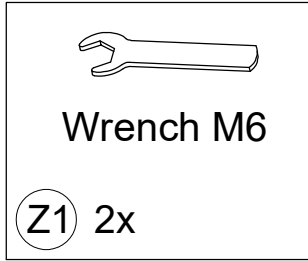
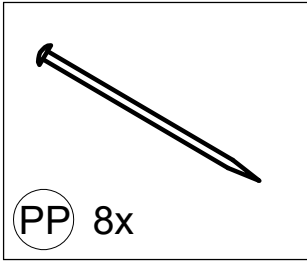
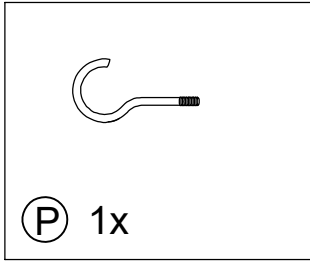
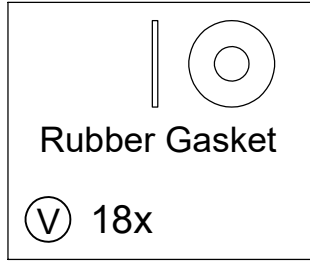
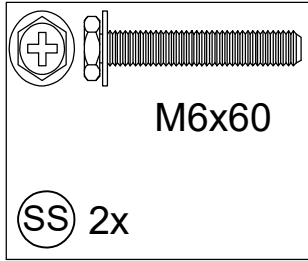
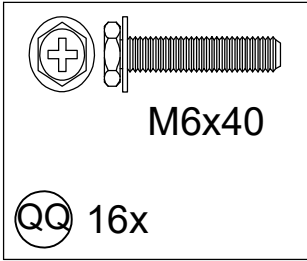
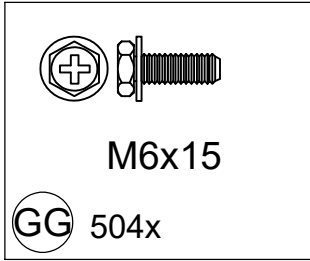
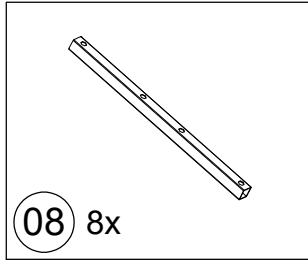
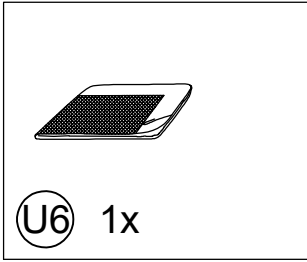
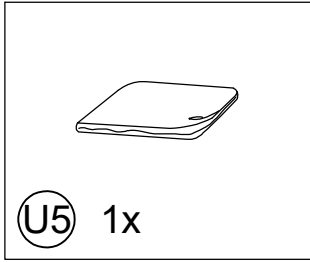
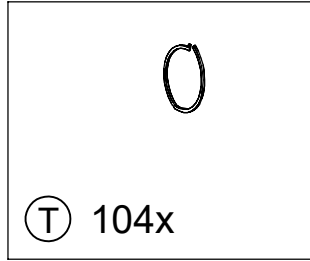
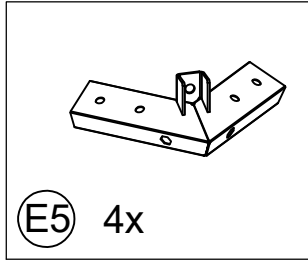
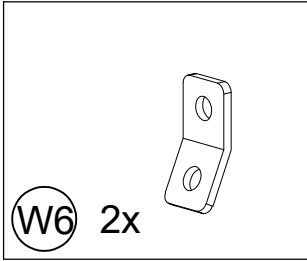
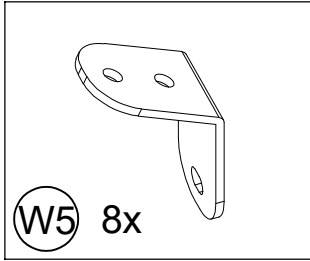
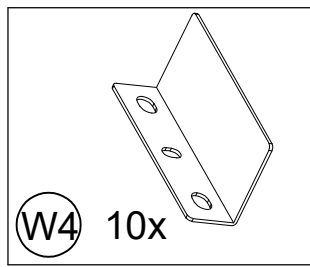
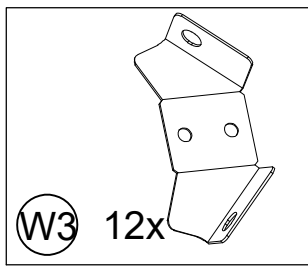
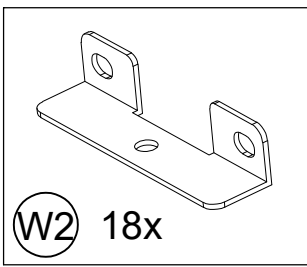
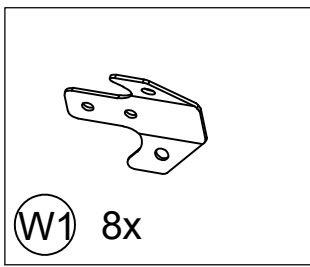


**Parts List (Box E)**



**Parts List (Box F)**



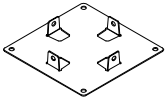


<1>

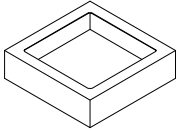
01 4x



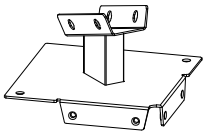
C 4x



B 4x

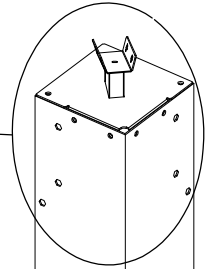
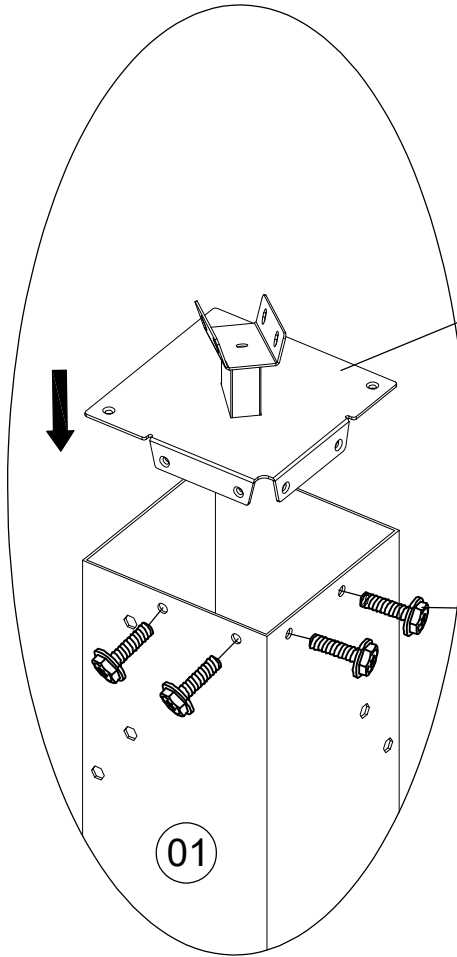
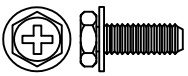


I1 4x

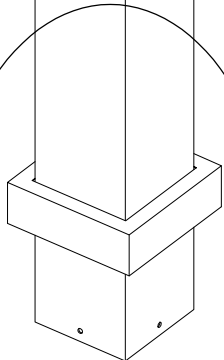
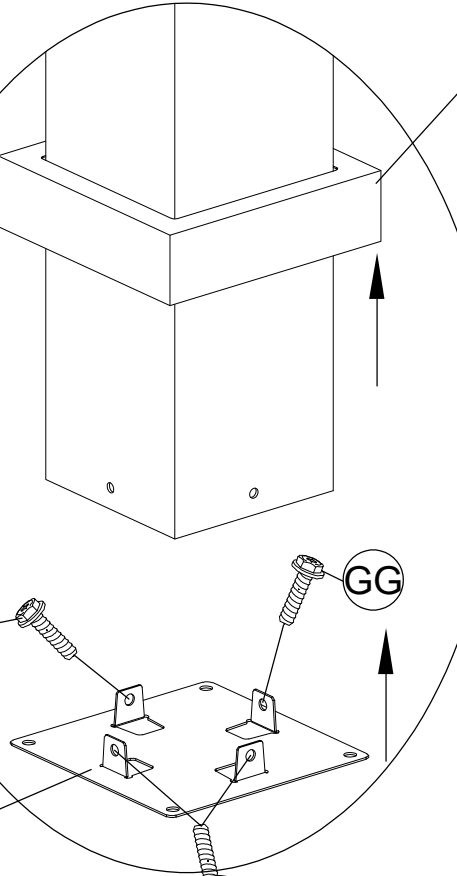


M6x15

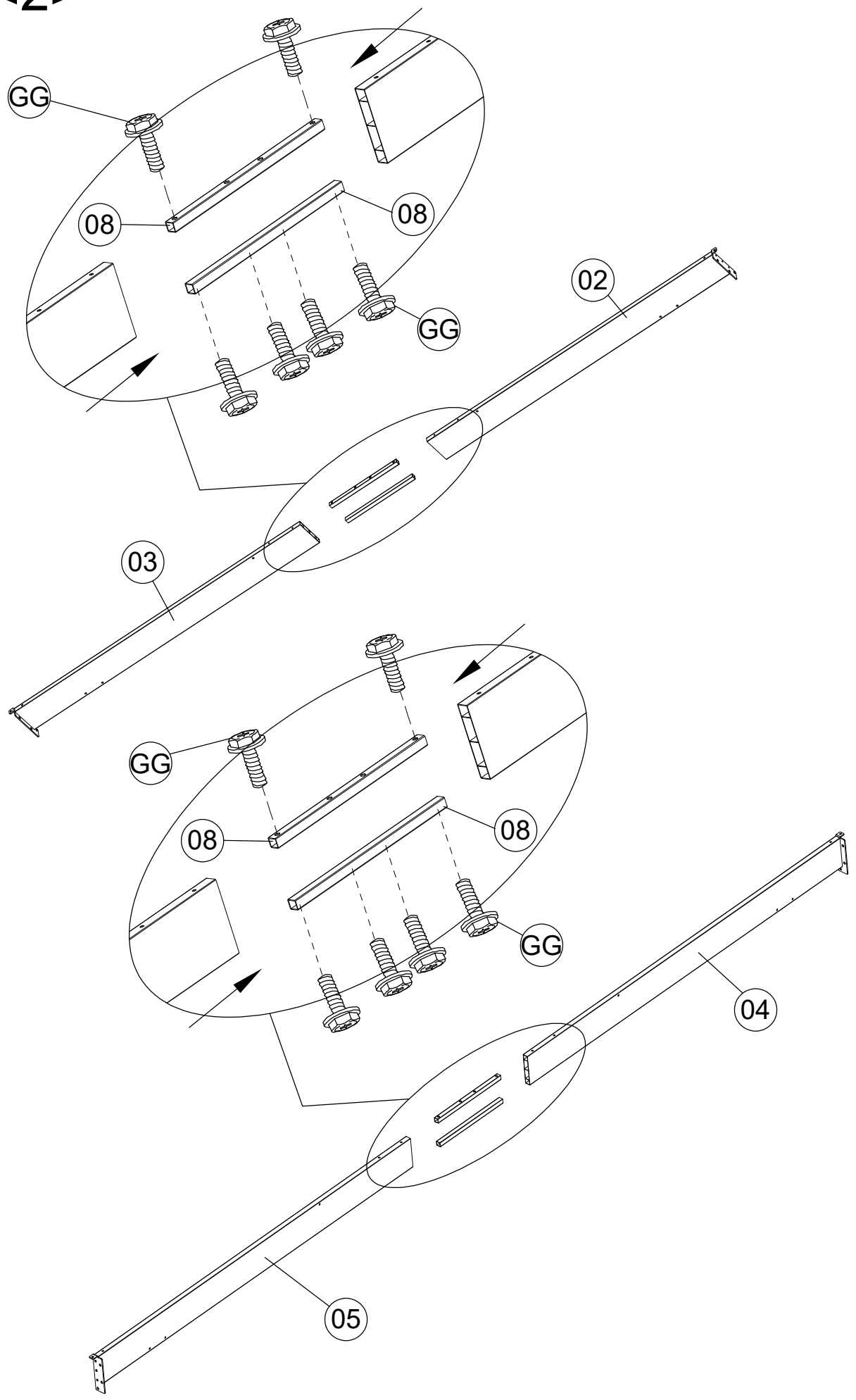
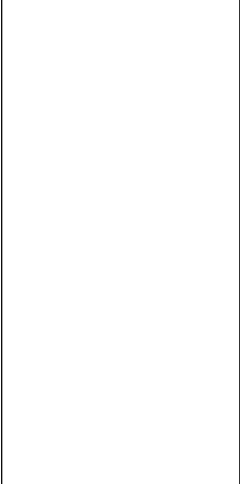
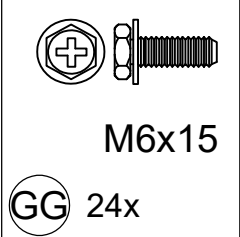
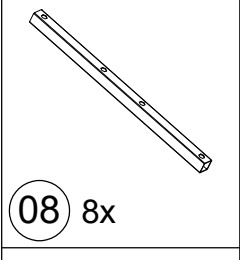
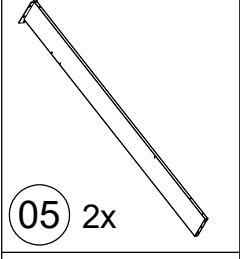
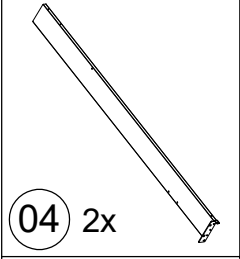
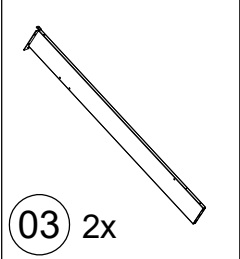
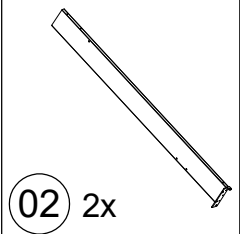
GG 32x



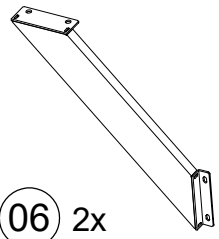
01



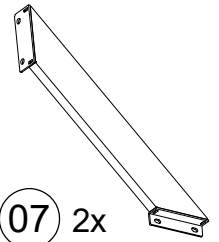
<2>



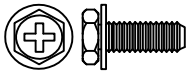
<3>



06 2x

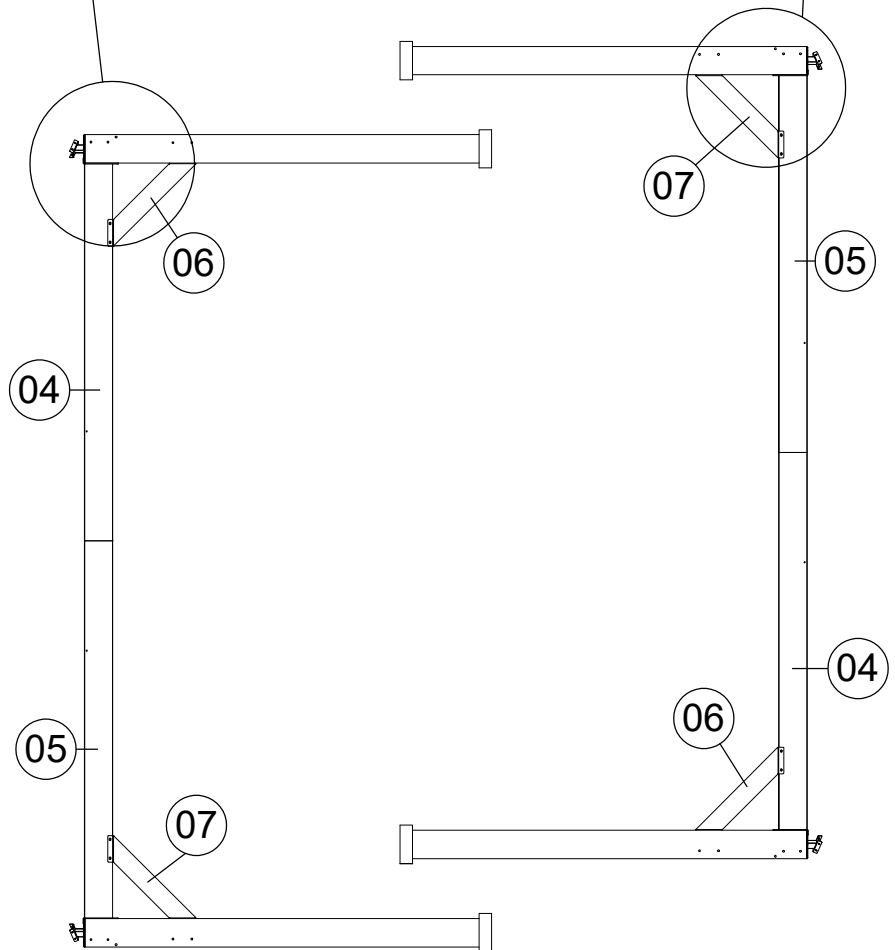
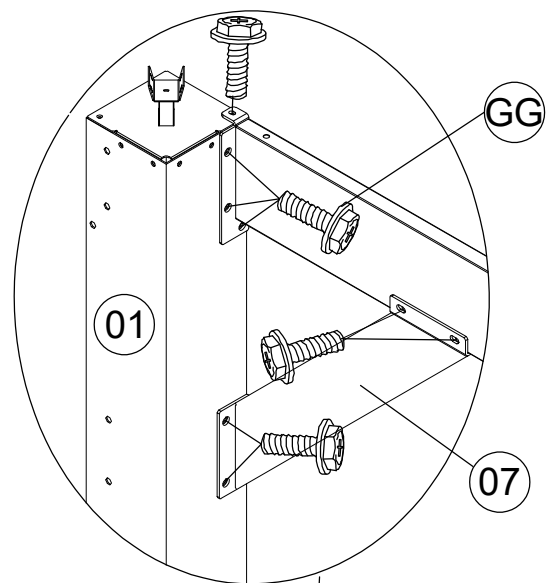
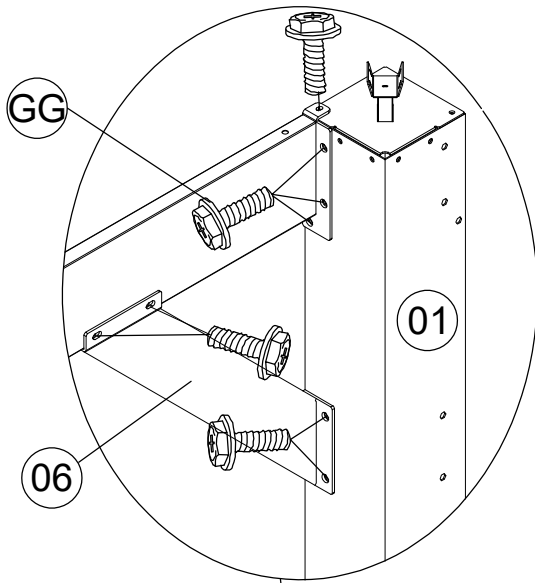


07 2x

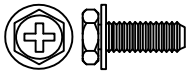
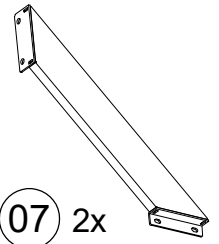
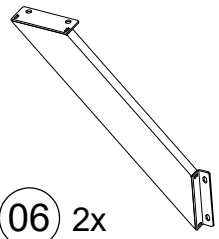


M6x15

GG 32x

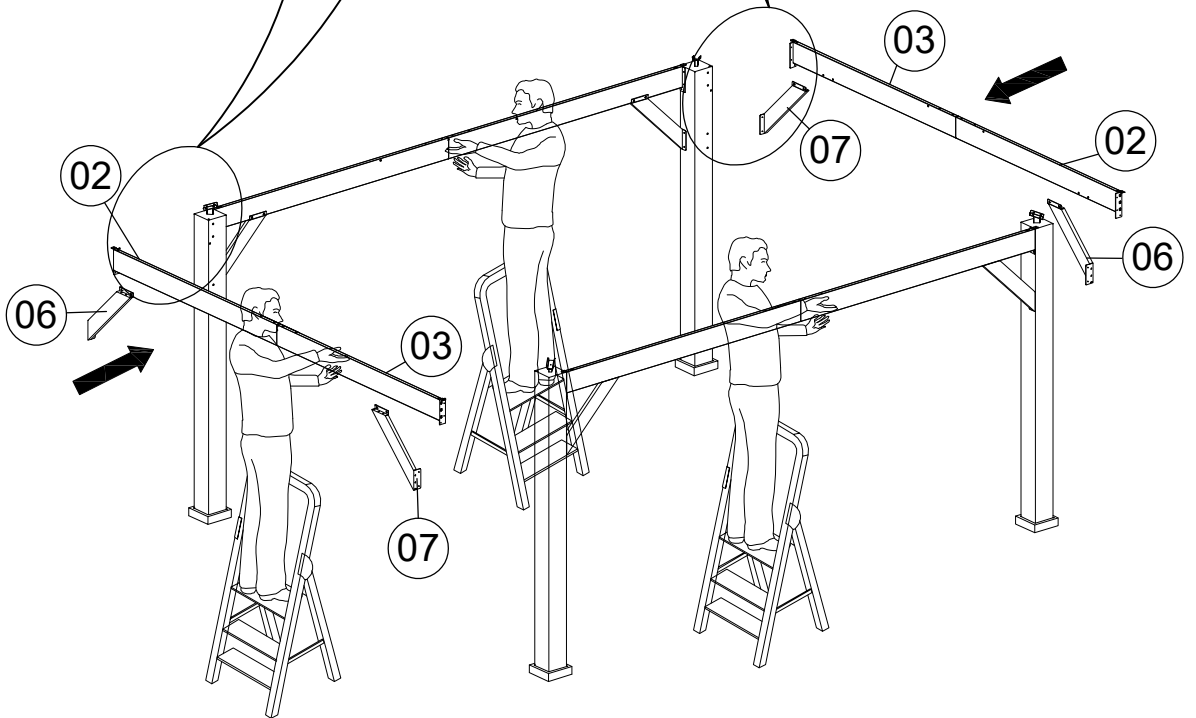
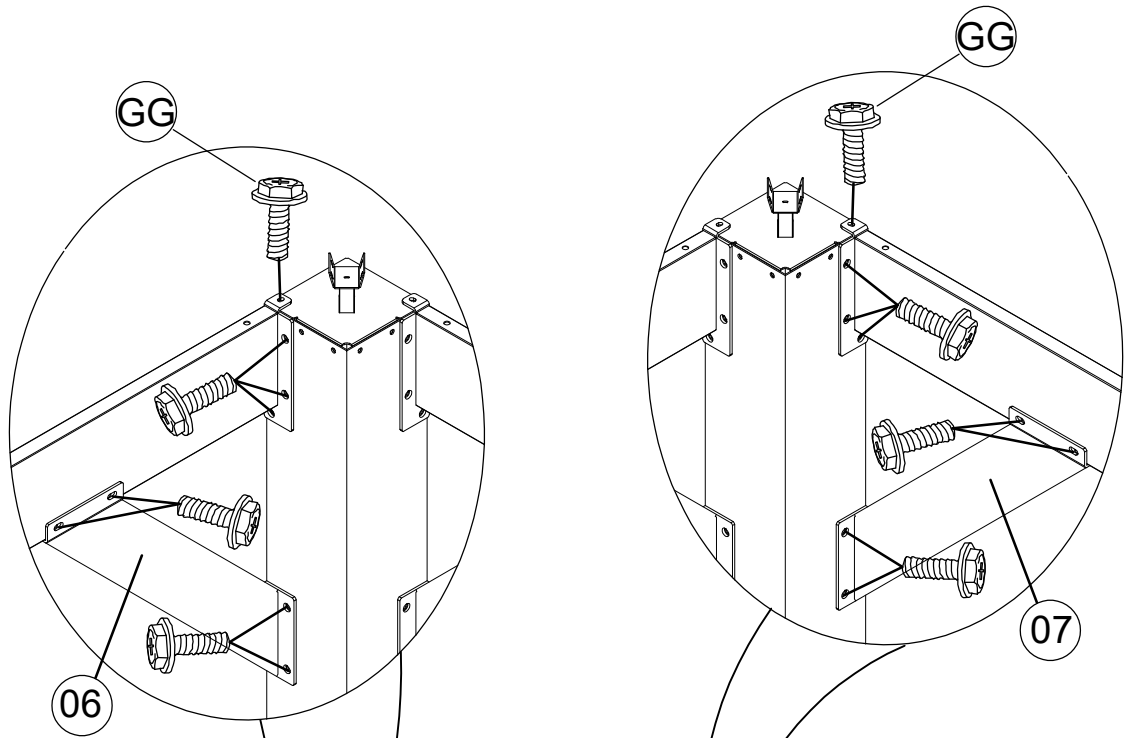


<4>

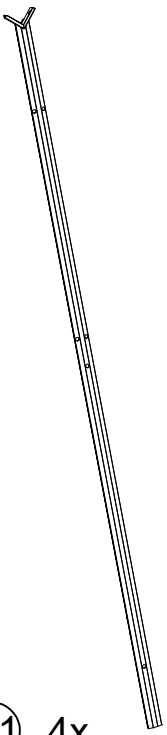


M6x15

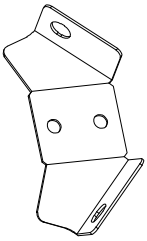
GG 32x



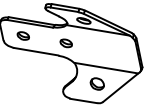
<5>



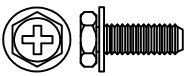
G1 4x



W3 8x

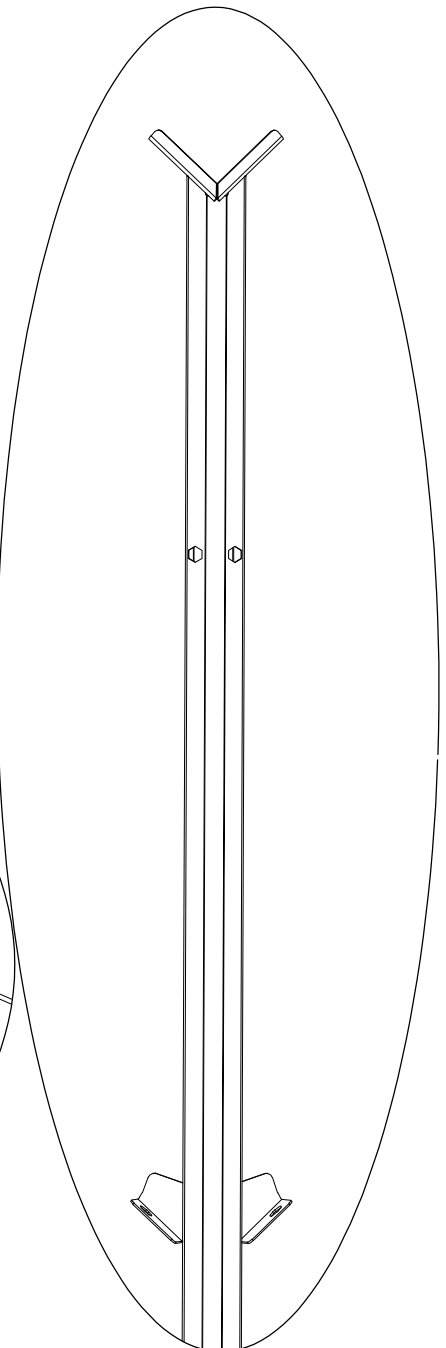
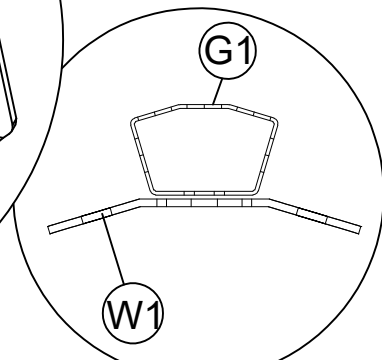
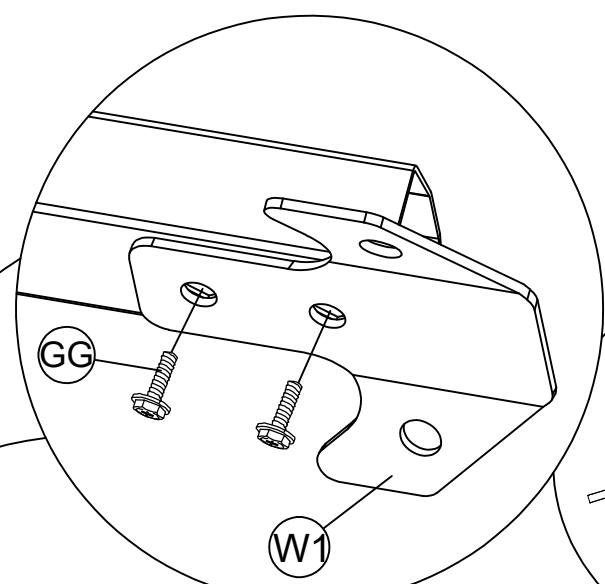
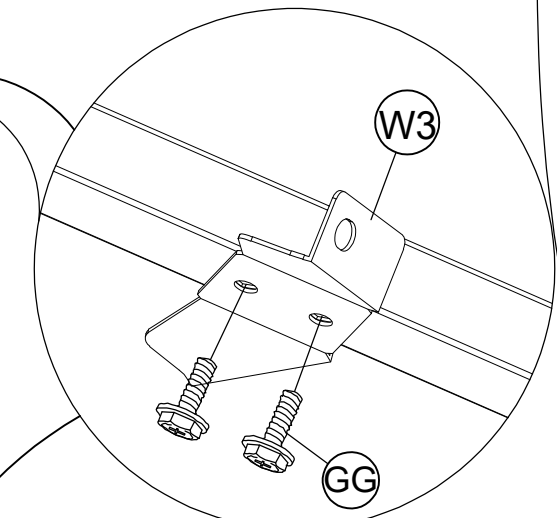
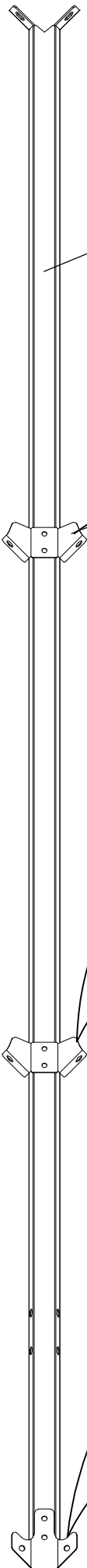


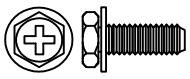
W1 4x



M6x15

GG 24x





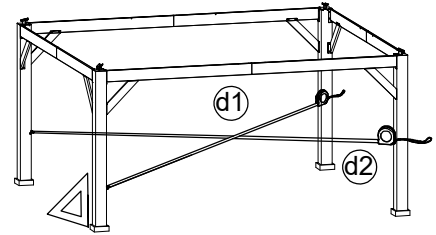
M6x15

GG 16x

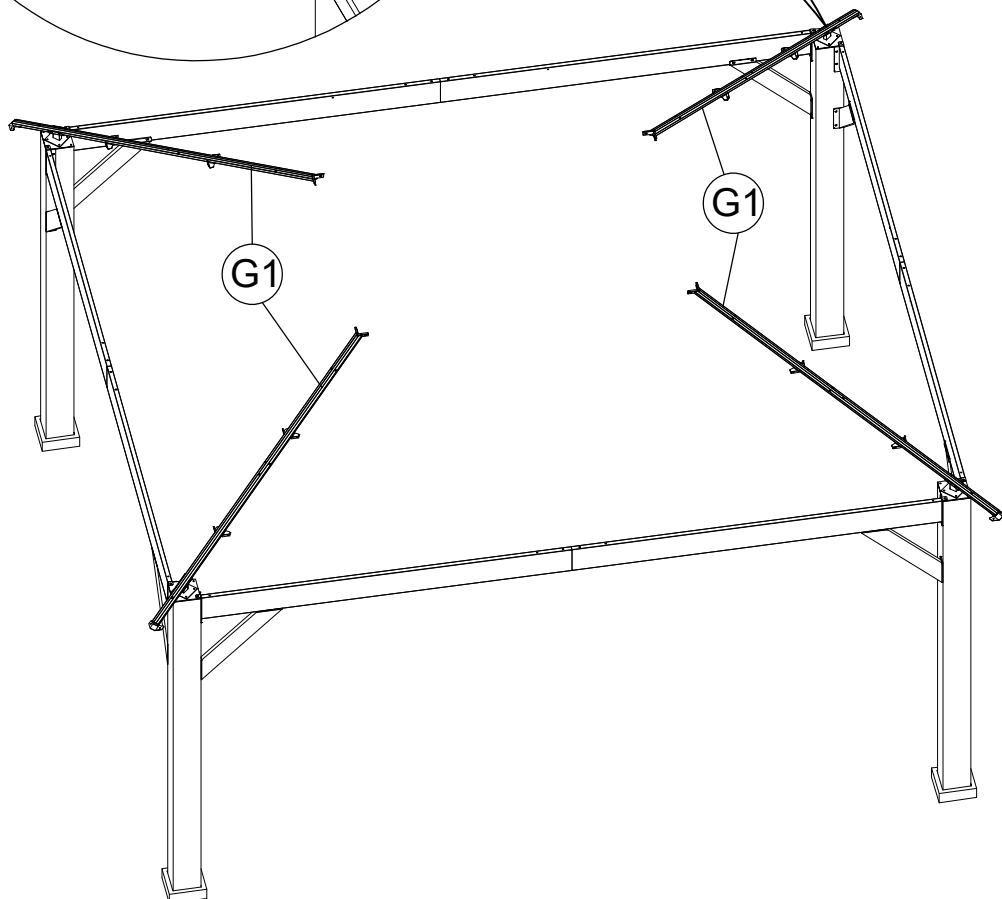
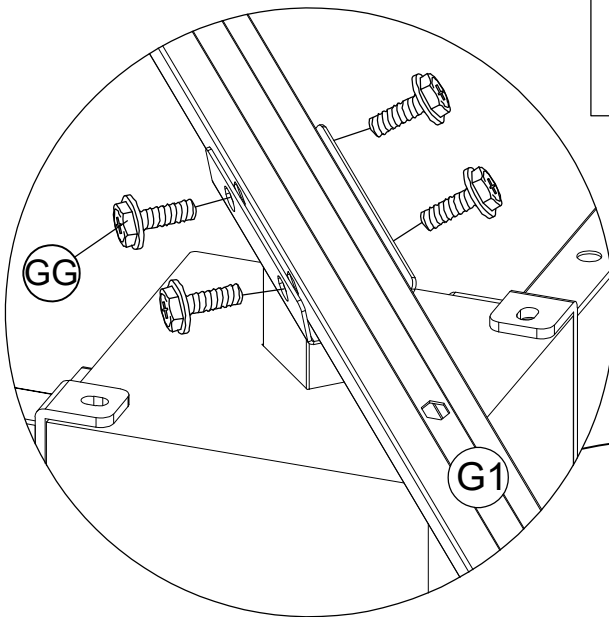
<6>

Please measure to make sure the length of d1 is equal to d2 before moving to next step to ensure a square frame and best results. Keep the beam at right angles to the post, the post at right angles to the ground, and keep the beam horizontal.

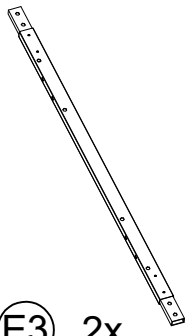
i d1=d2



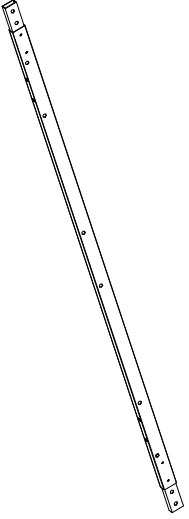
Rt=90°



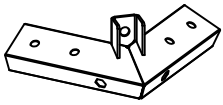
<7>



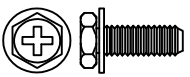
E3 2x



E11 2x

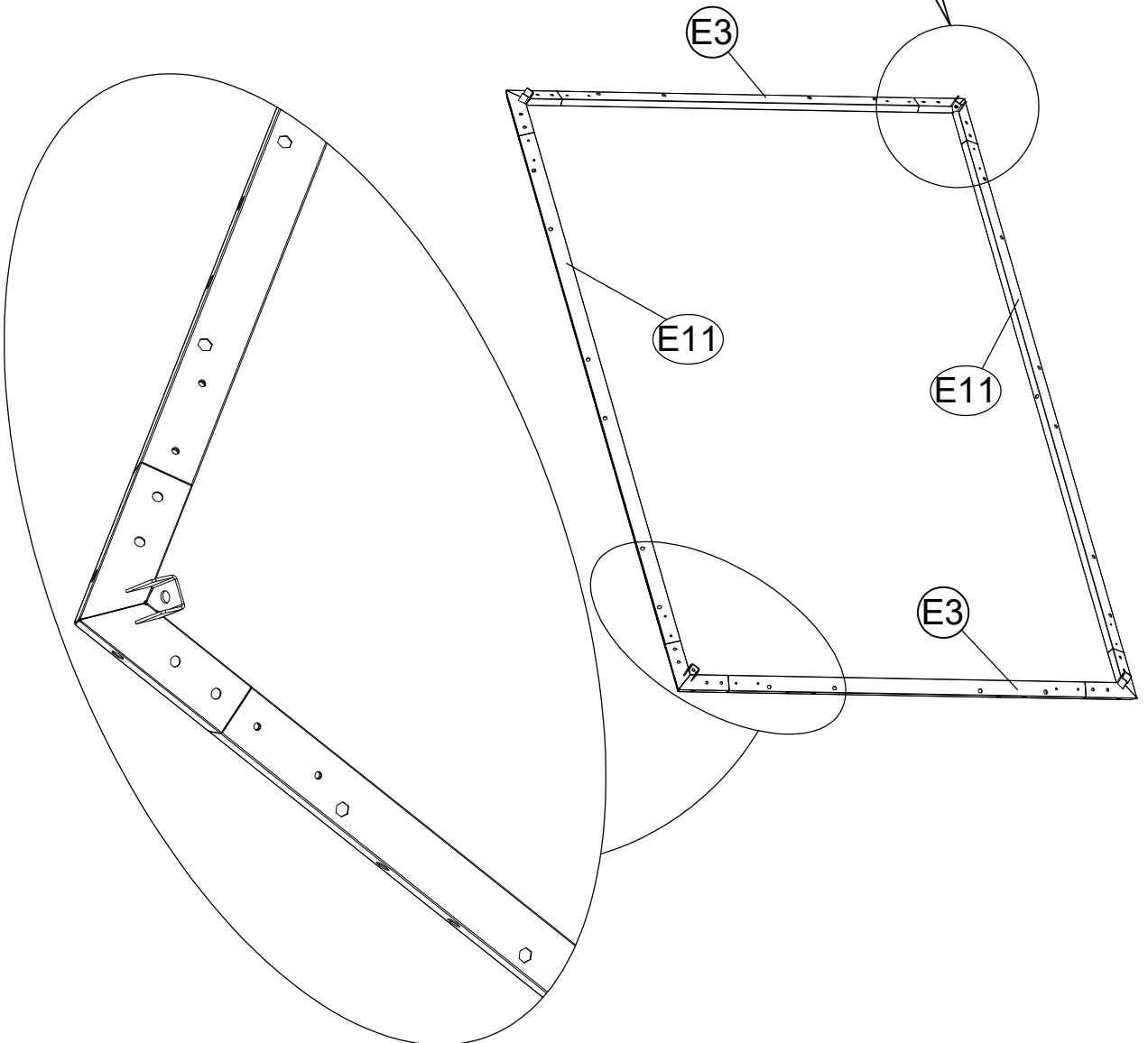
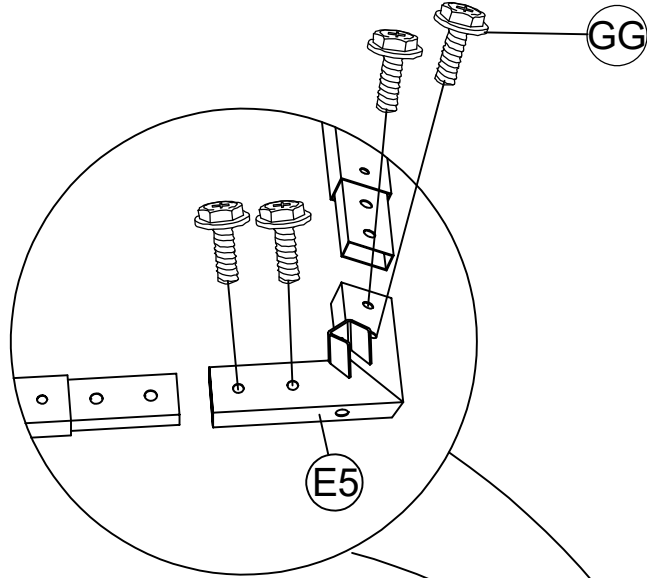


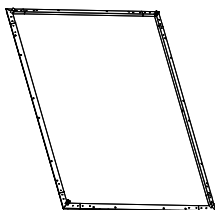
E5 4x



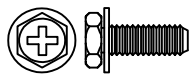
M6x15

GG 16x



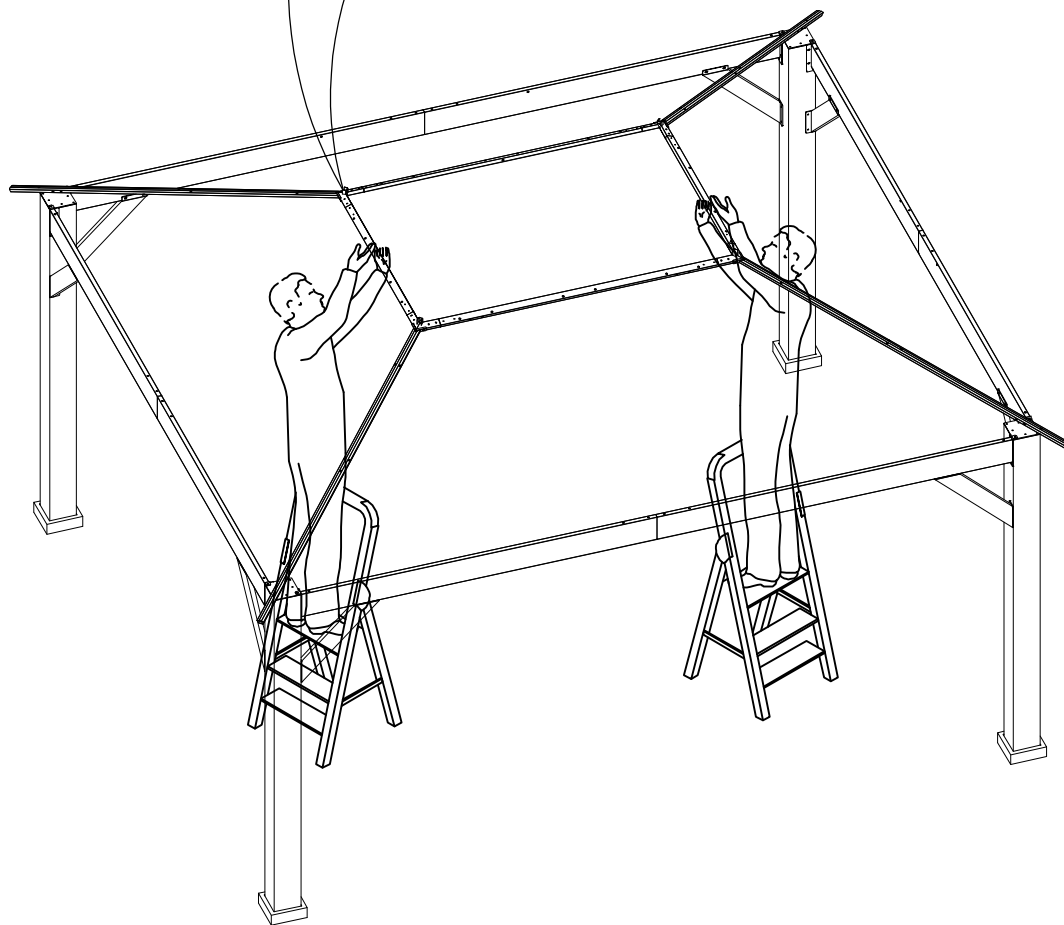
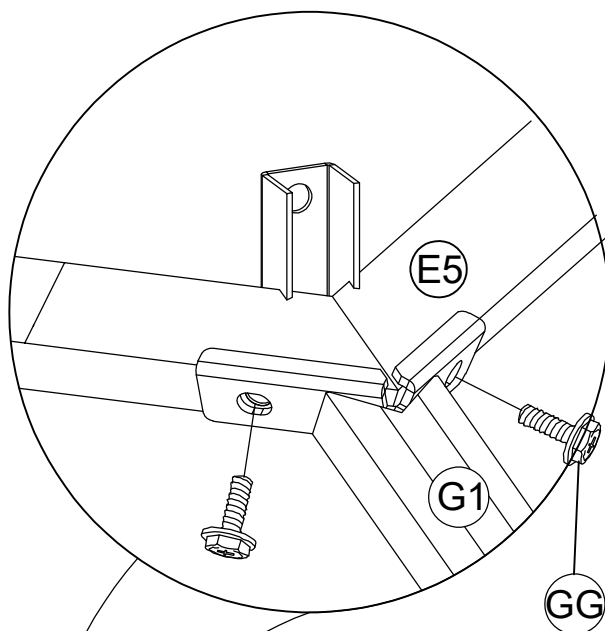


<8>

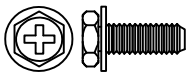
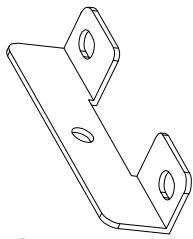
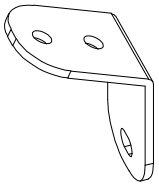
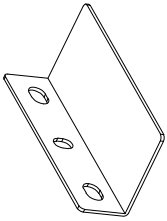
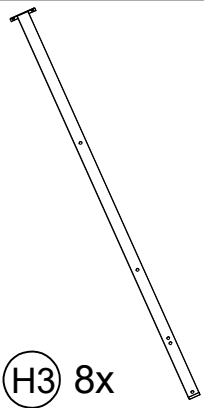


M6x15

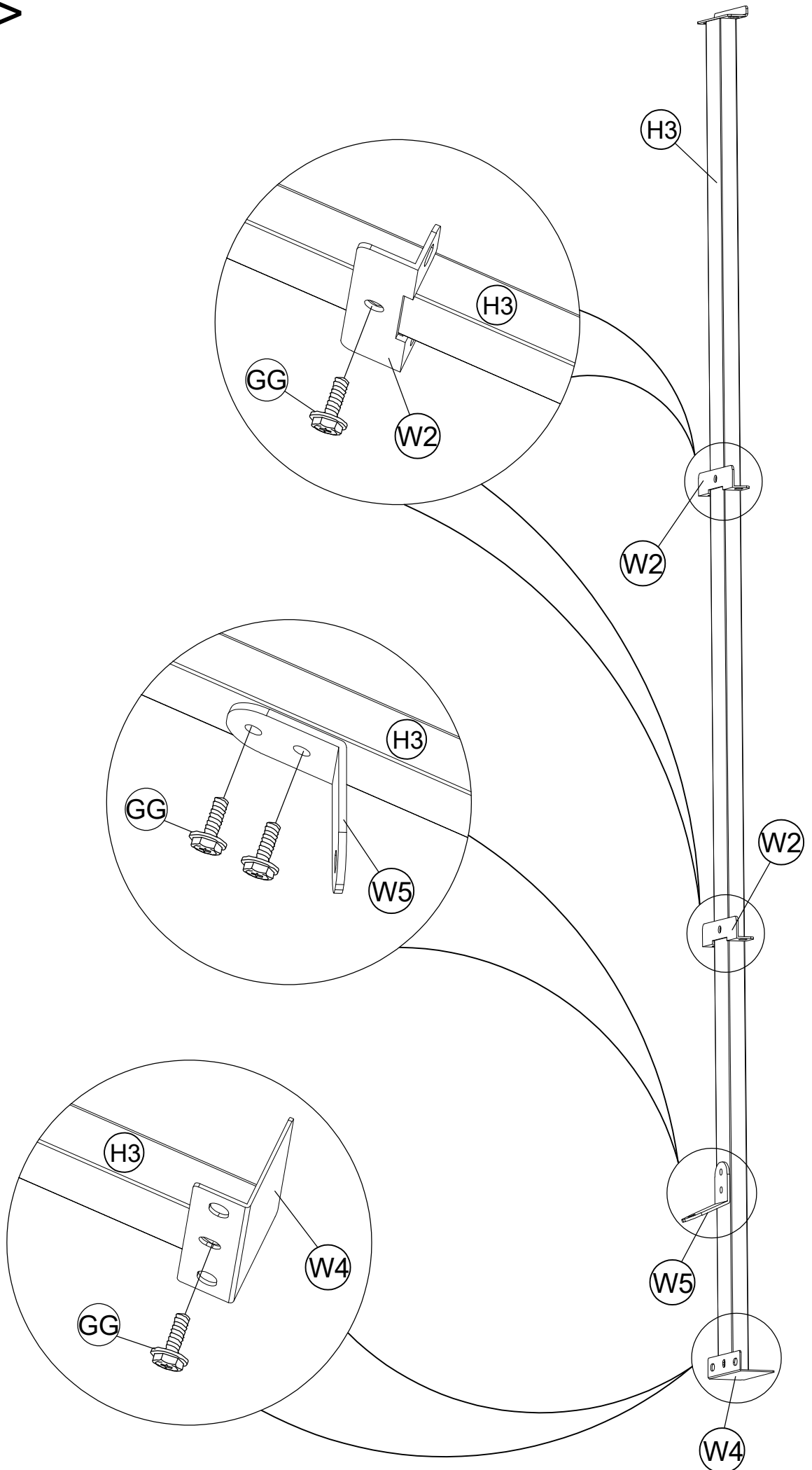
GG 8x

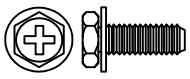


<9>



GG 40x

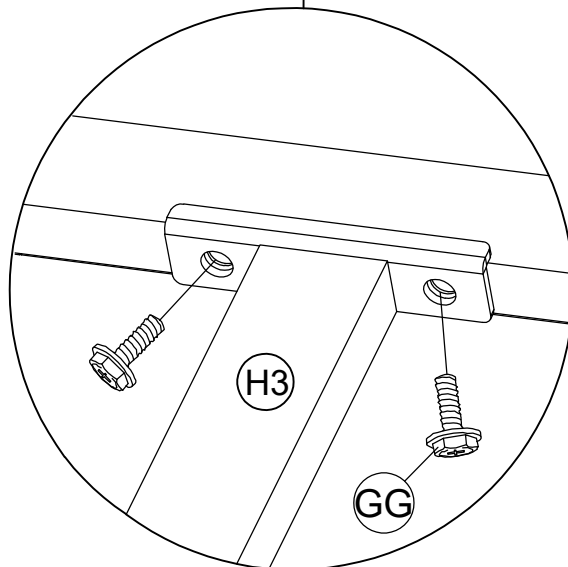
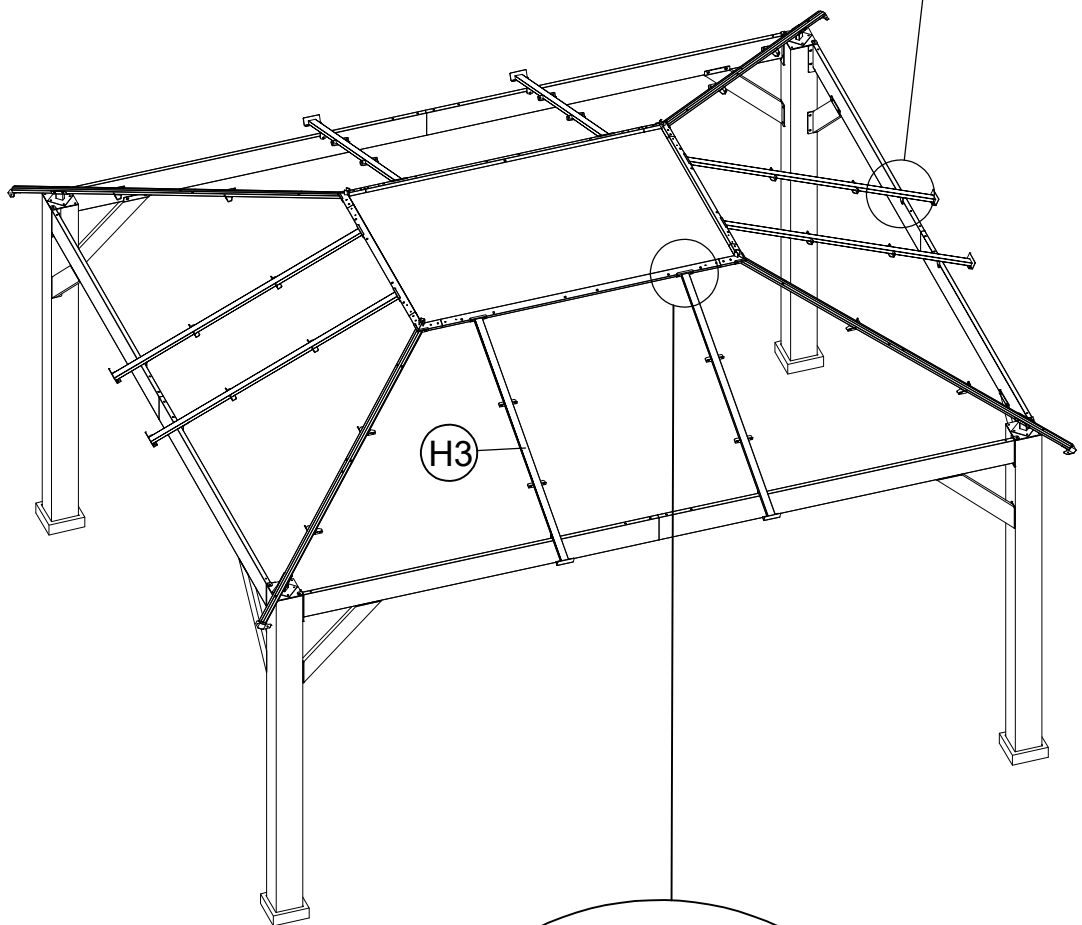
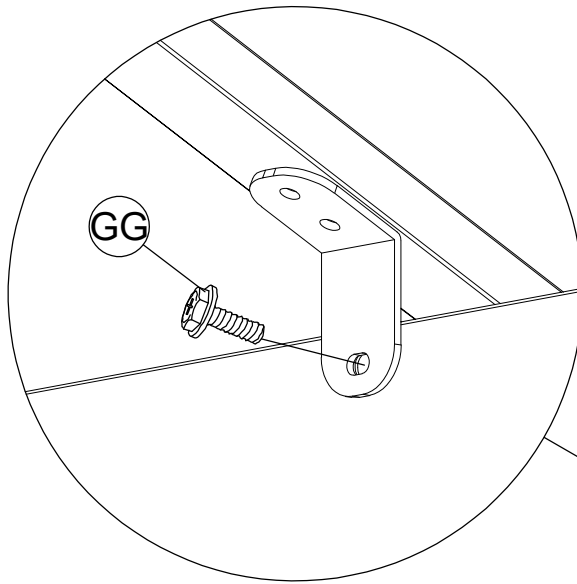




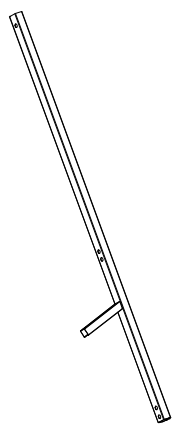
M6x15

GG 24x

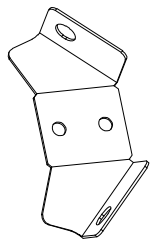
<10>



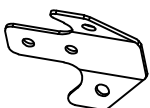
# <11>



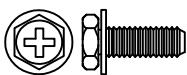
F5 4x



W3 4x

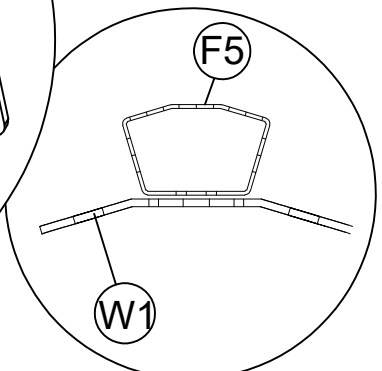
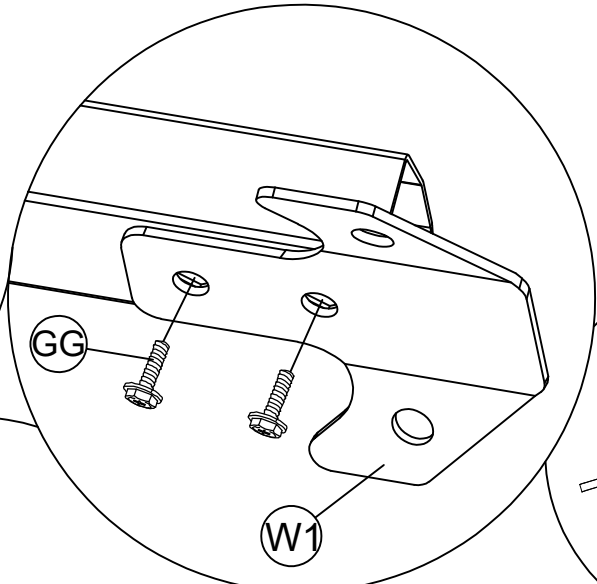
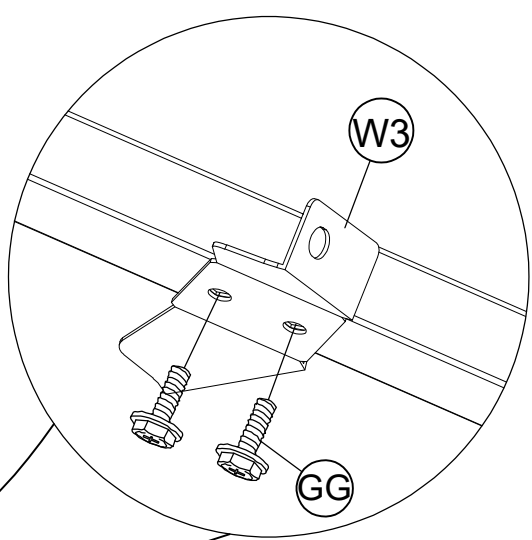
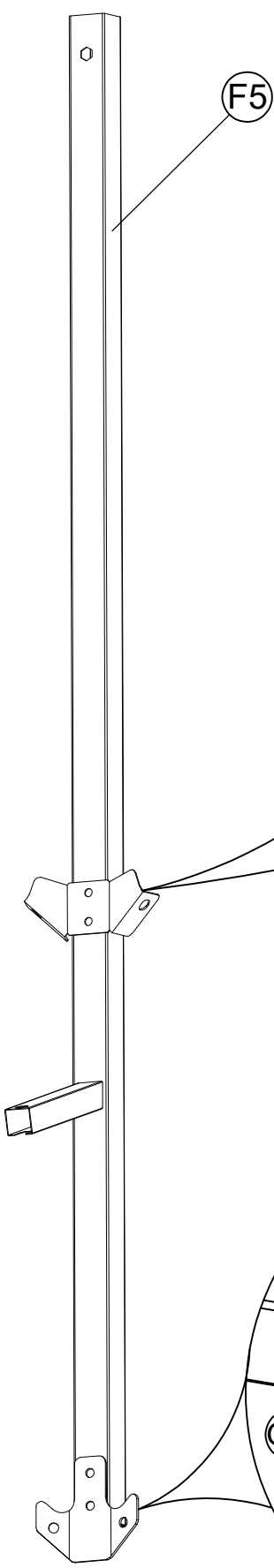


W1 4x

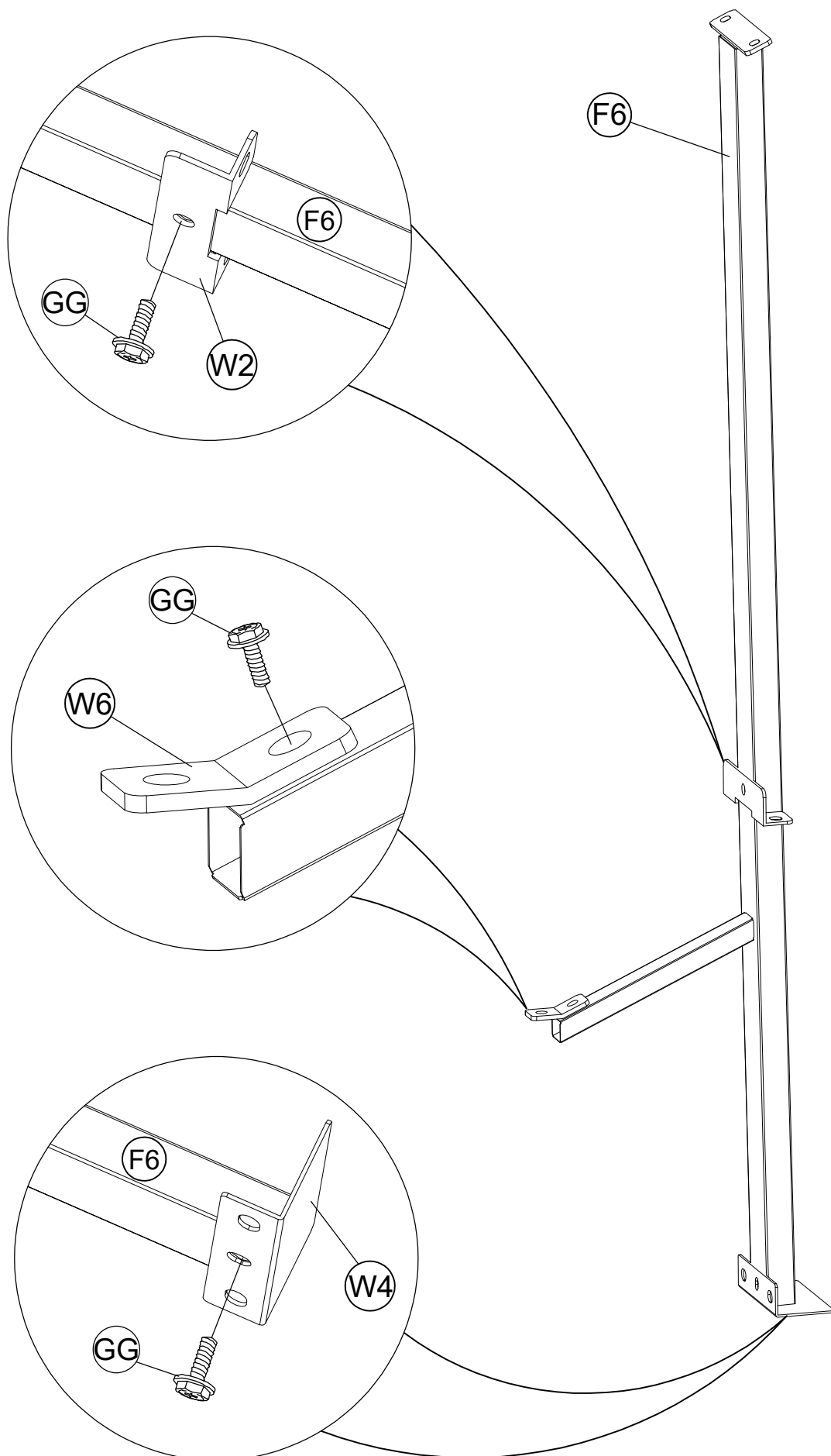
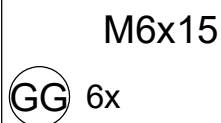
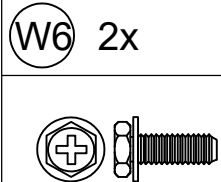
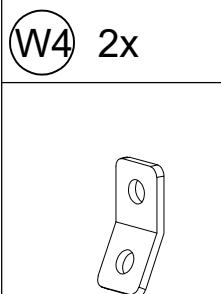
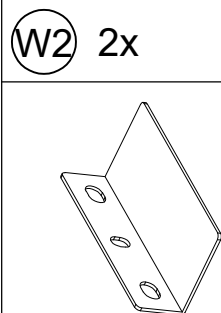
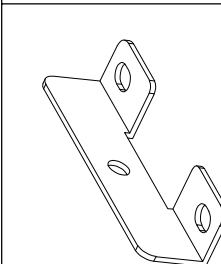
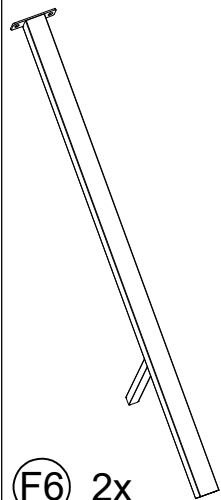


M6x15

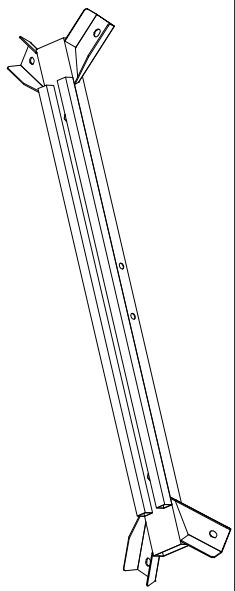
GG 16x



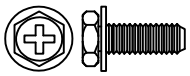
# <12>



<13>



D1 1x

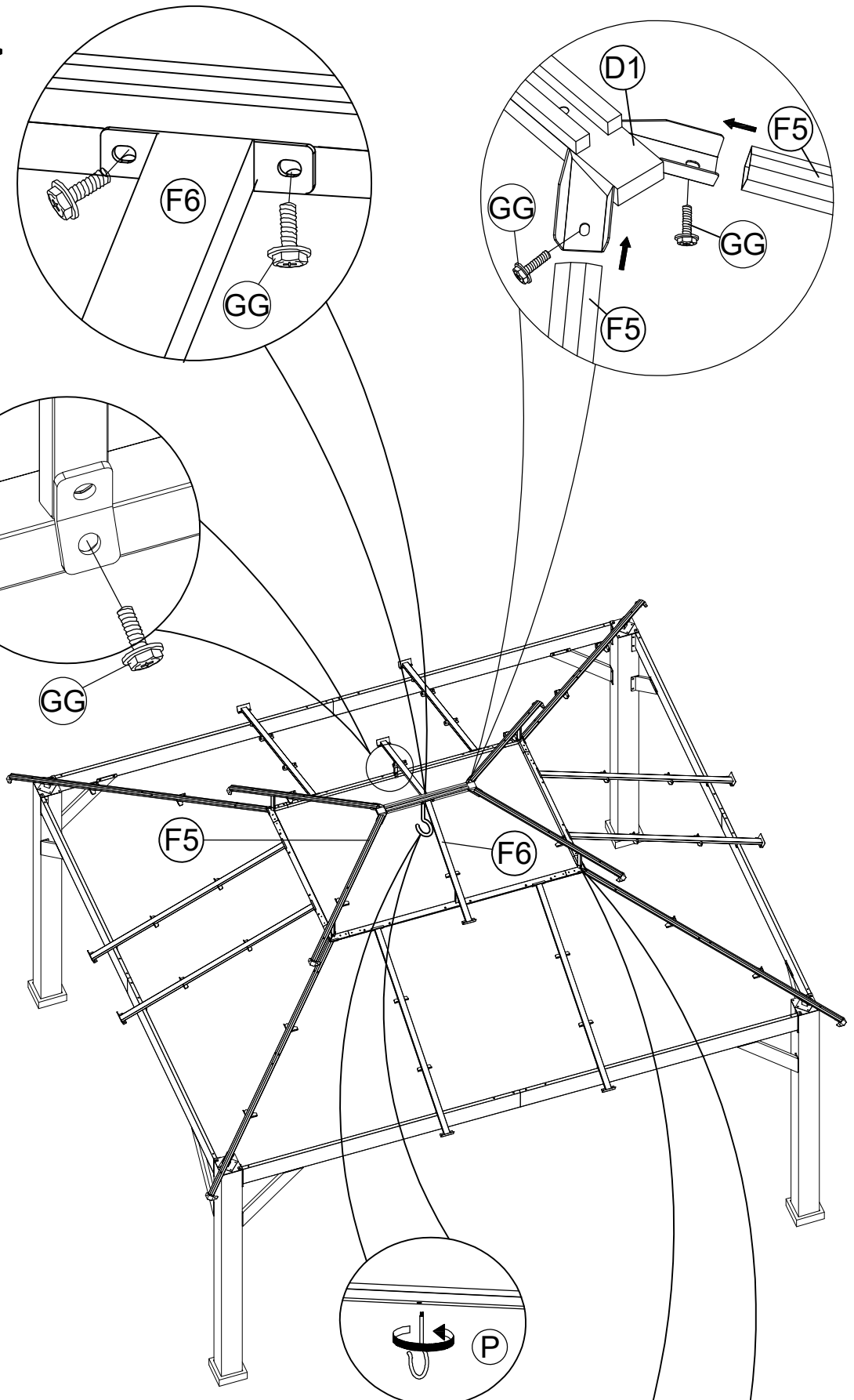


M6x15

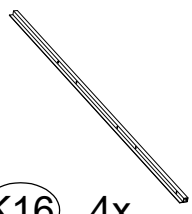
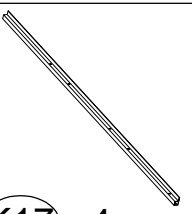
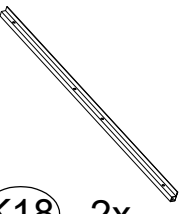
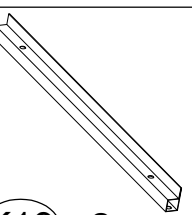
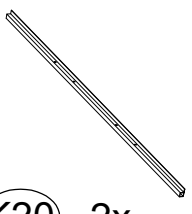
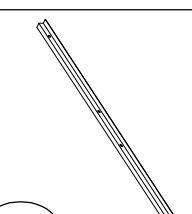
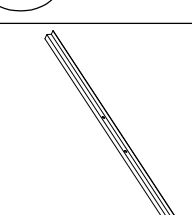
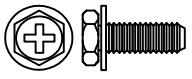
GG 14x

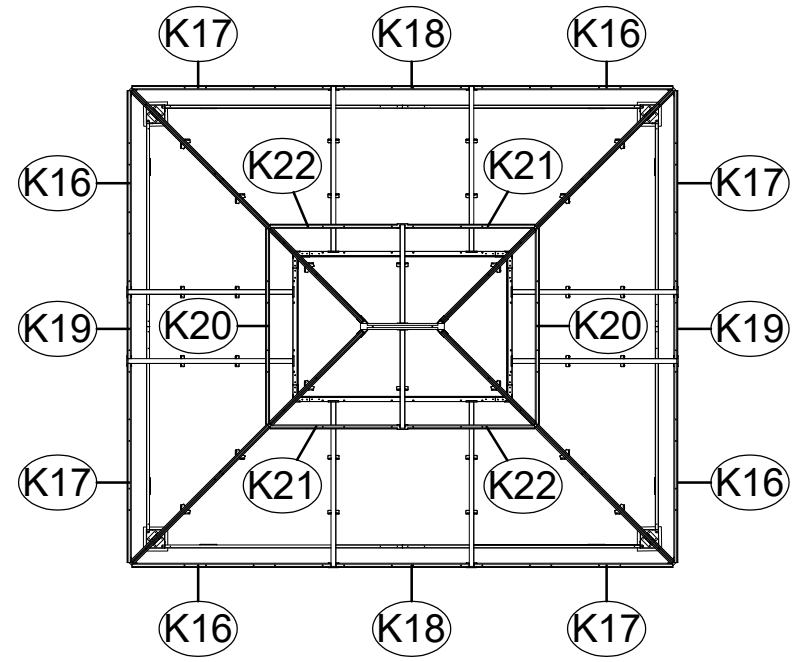
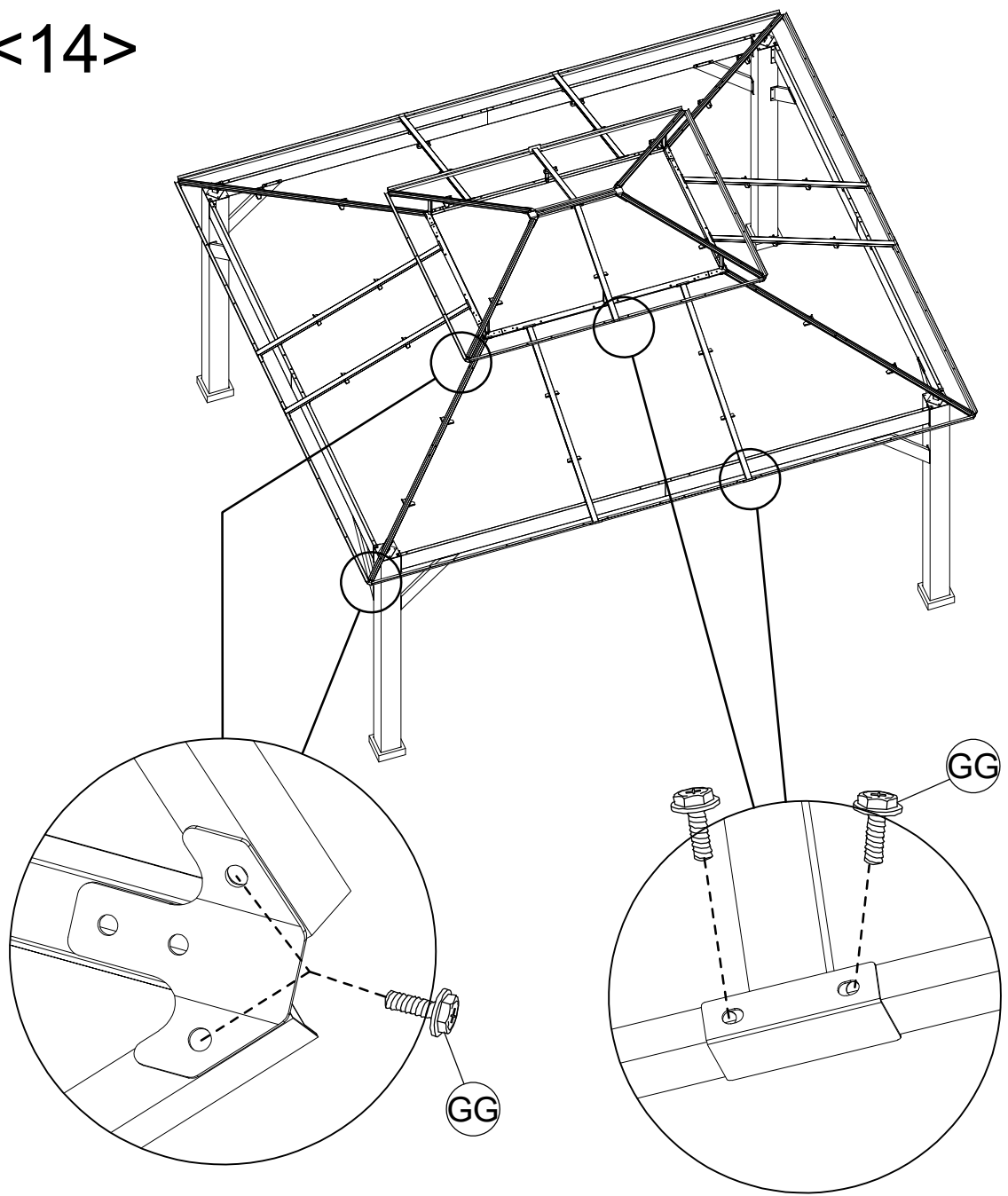


P 1x

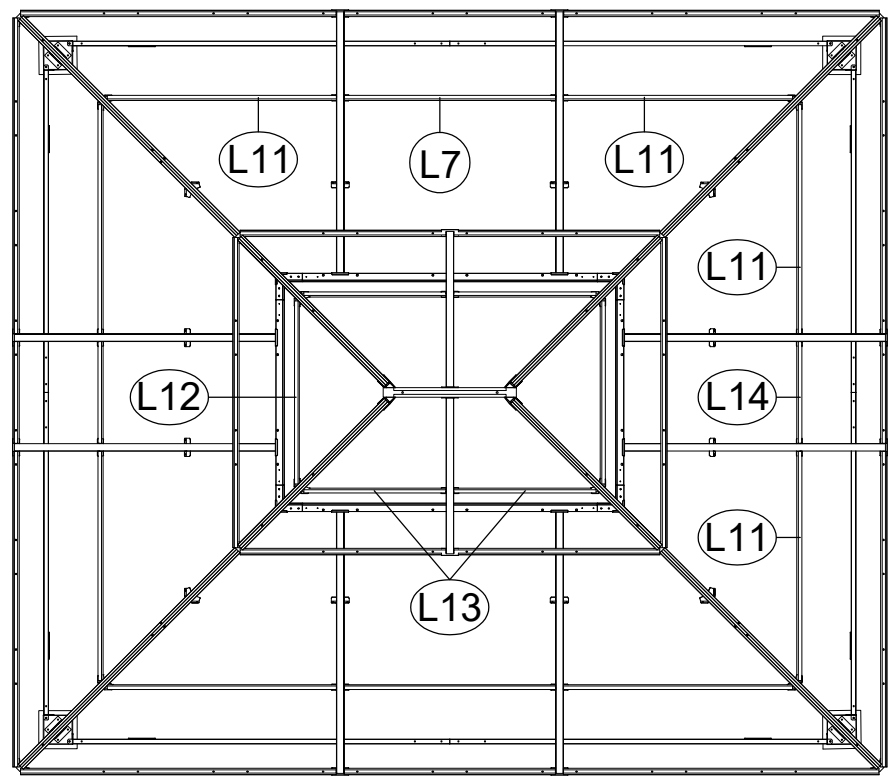
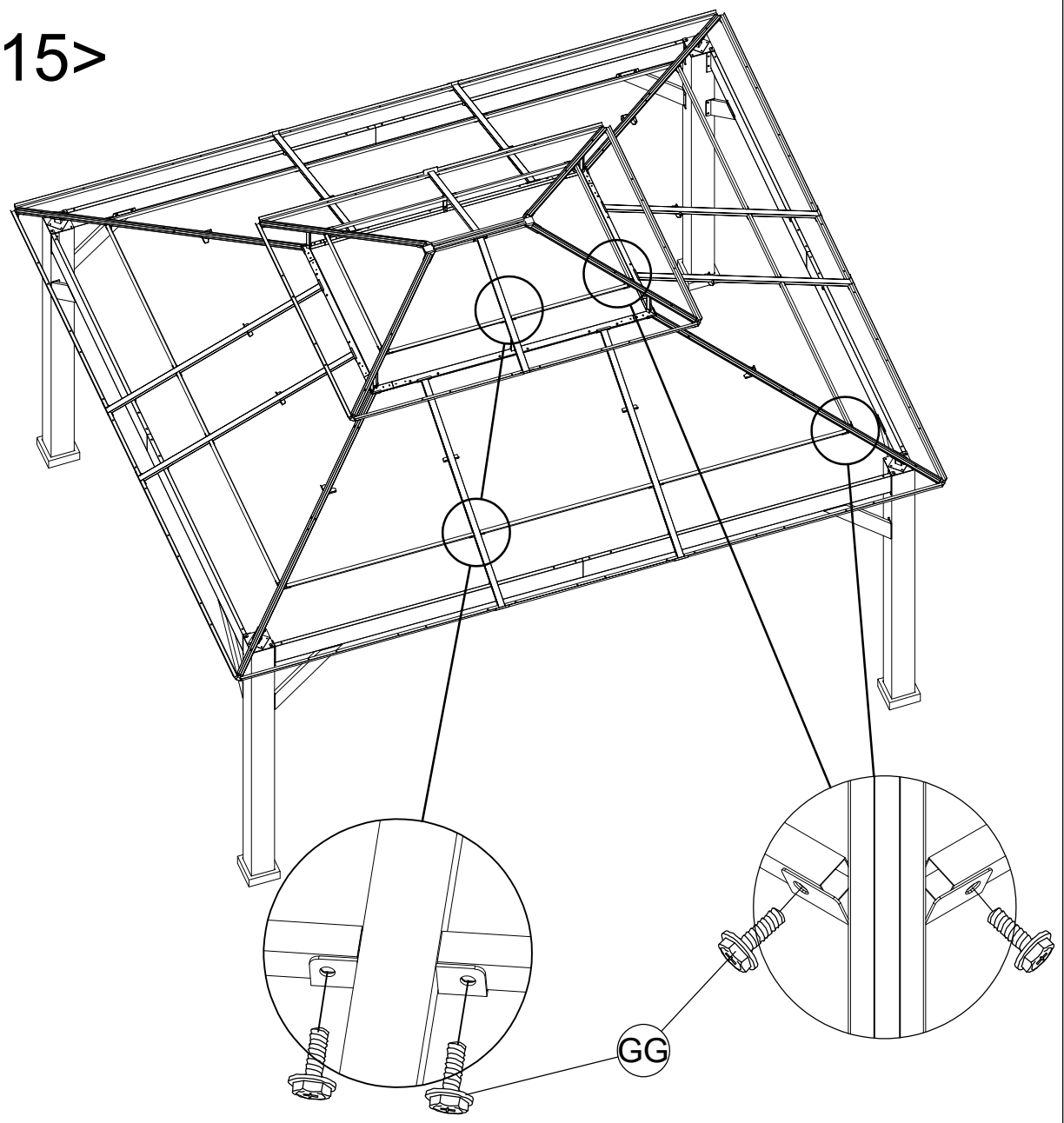
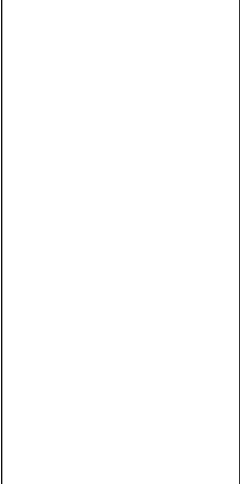
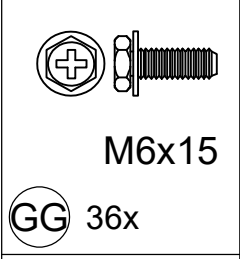
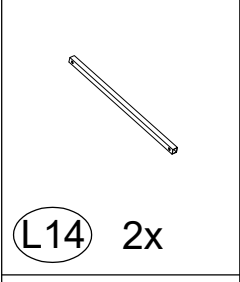
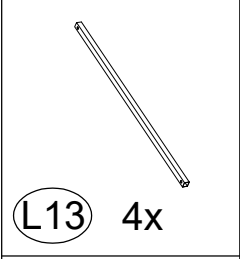
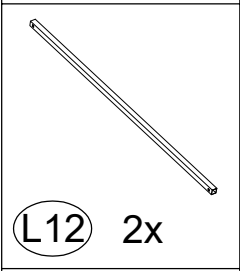
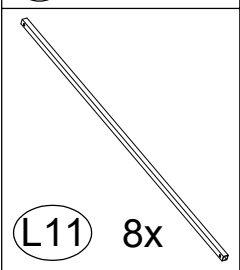
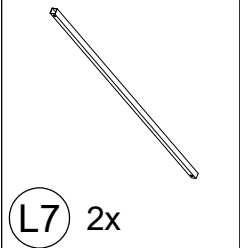


# <14>

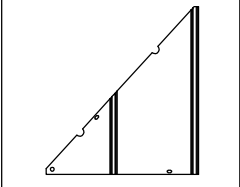
-   
**(K16)** 4x
-   
**(K17)** 4x
-   
**(K18)** 2x
-   
**(K19)** 2x
-   
**(K20)** 2x
-   
**(K21)** 2x
-   
**(K22)** 2x
-   
M6x15
- GG** 36x
- 20**



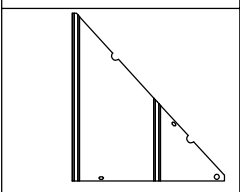
# <15>



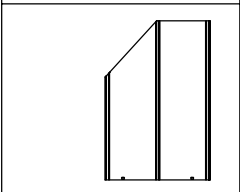
<16>



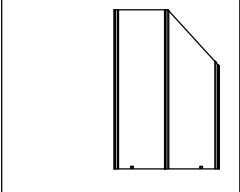
P1 4x



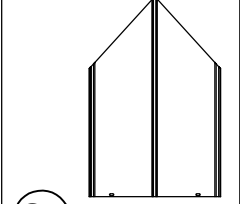
P2 4x



Q3 2x



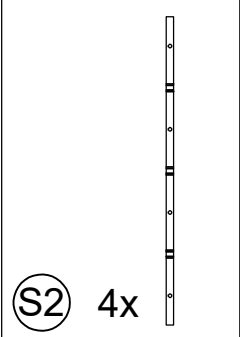
Q4 2x



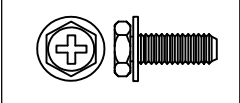
Q5 2x



S1 2x



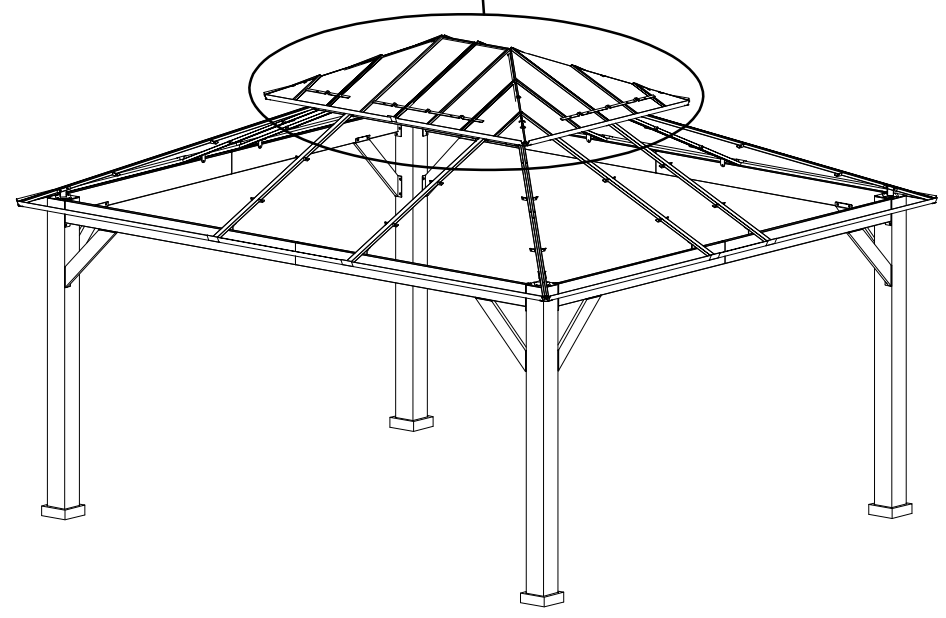
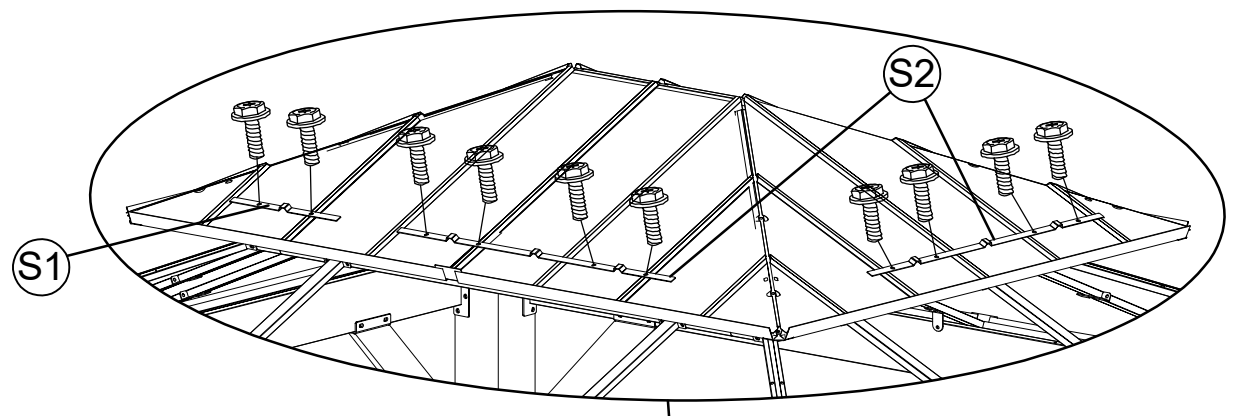
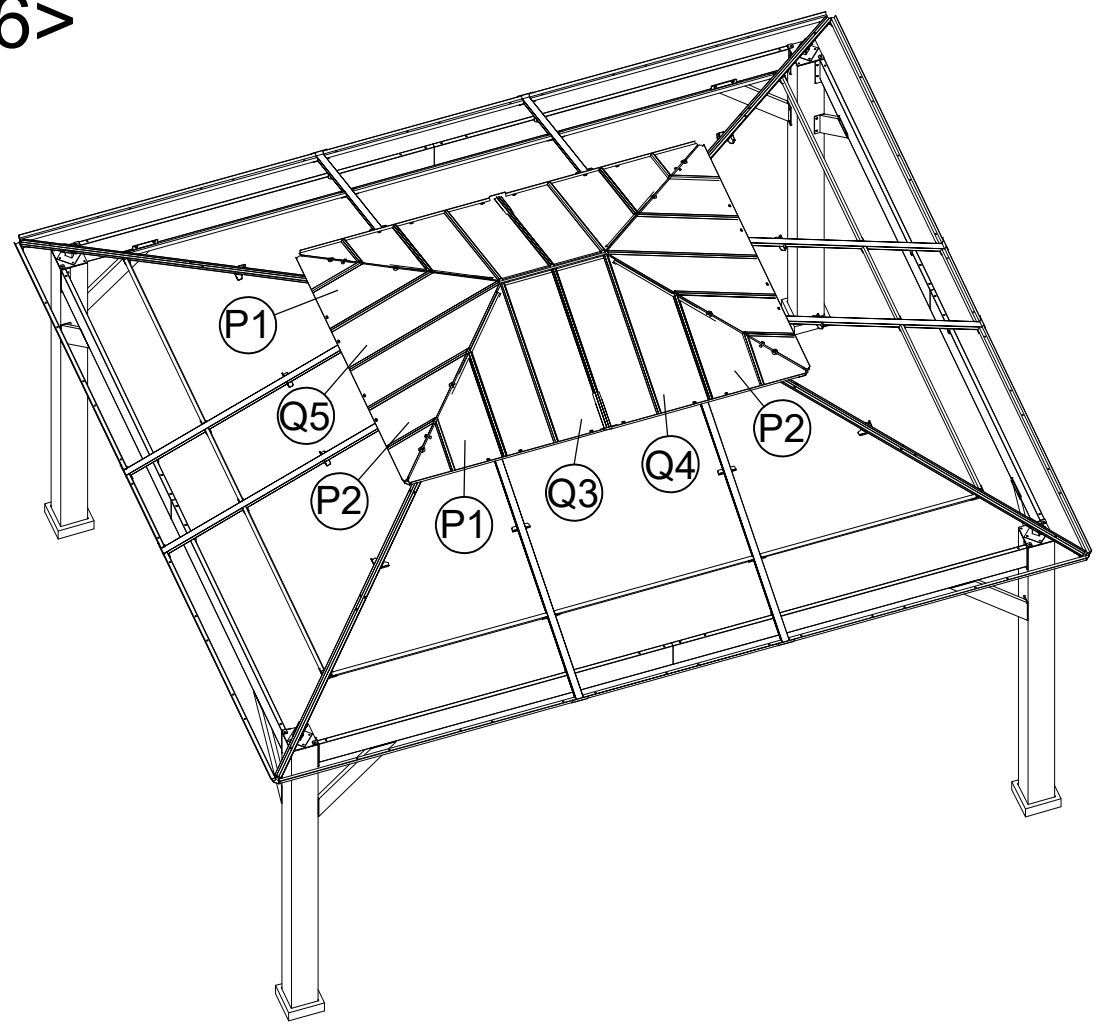
S2 4x



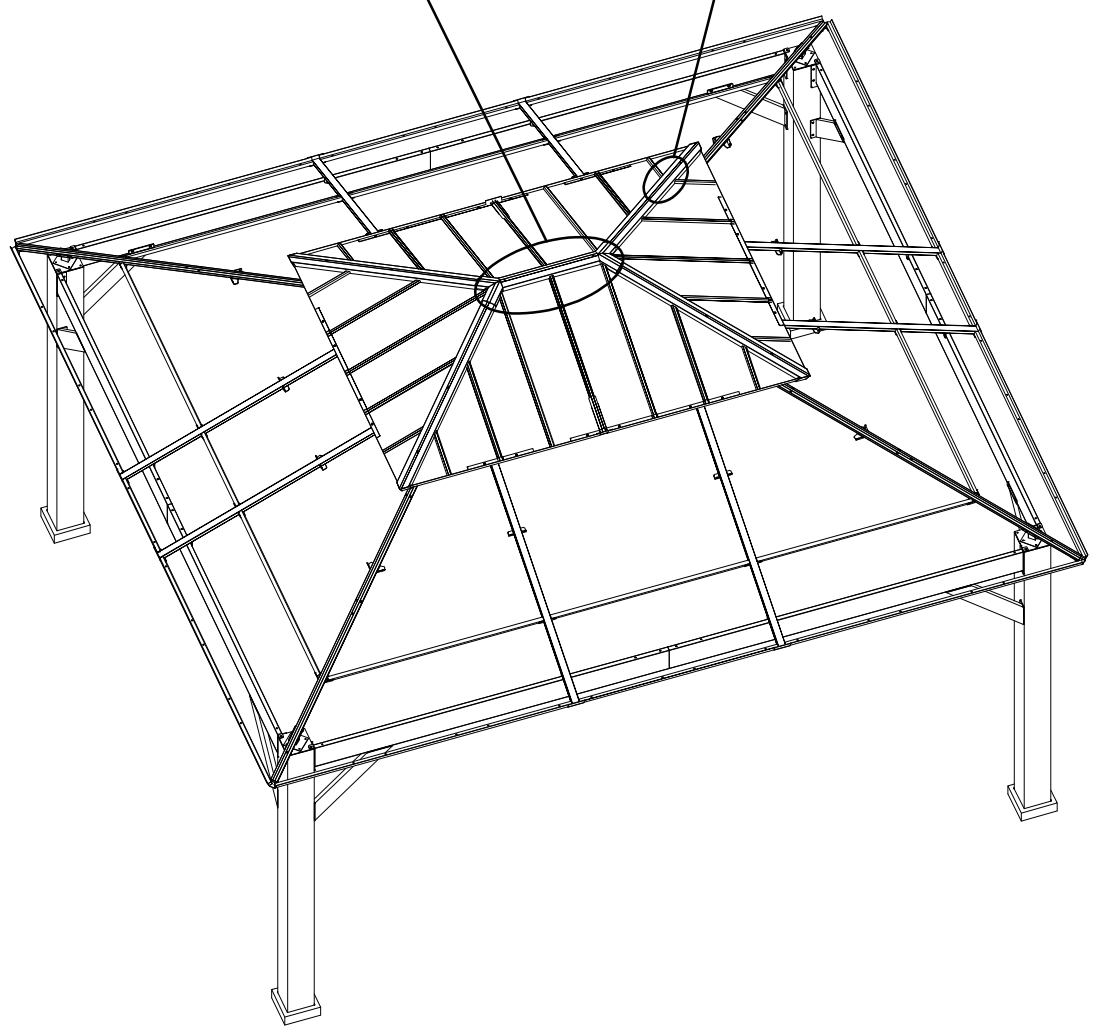
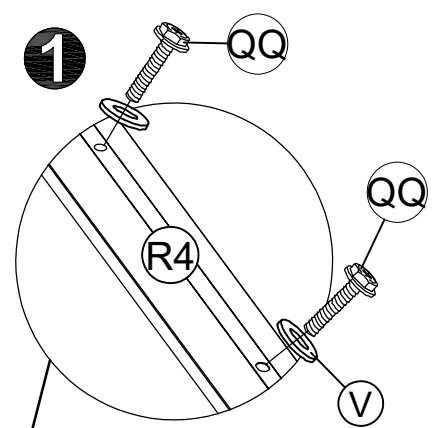
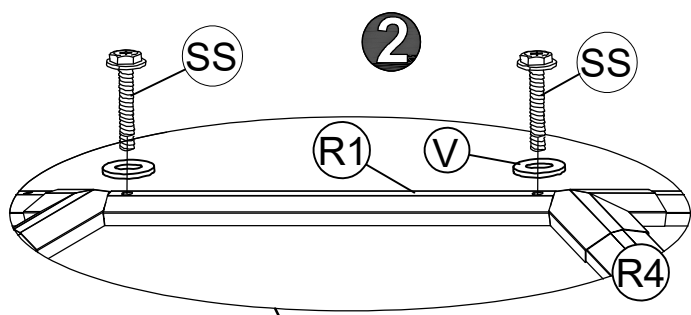
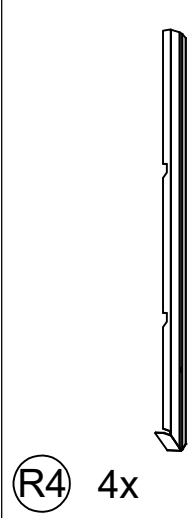
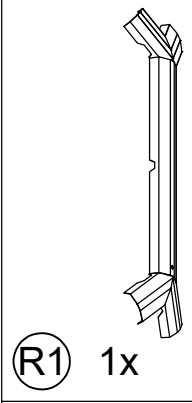
M6x15

GG 20x

22

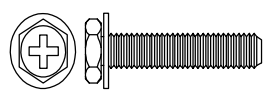


<17>



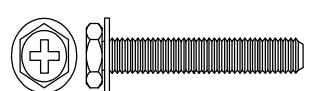
23

QQ 8x



M6x40

SS 2x

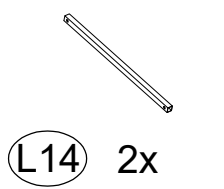
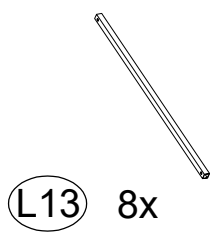
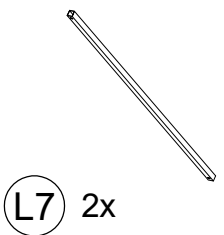
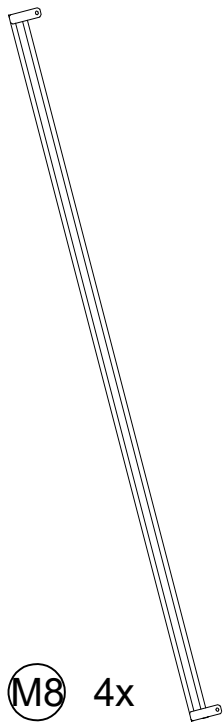
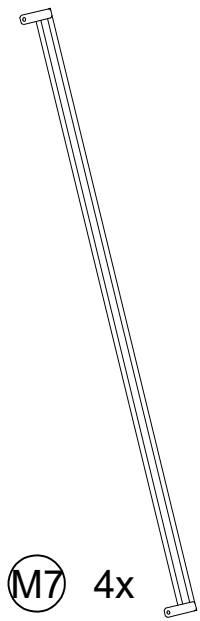


M6x60

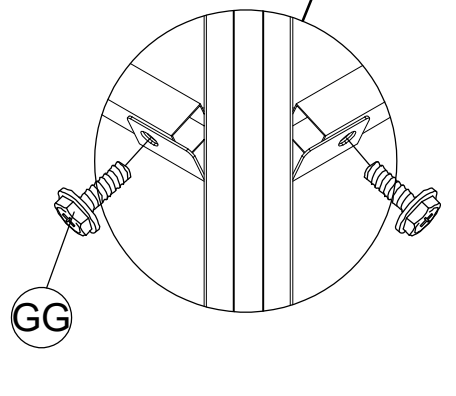
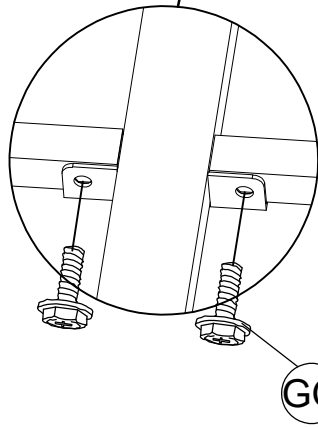
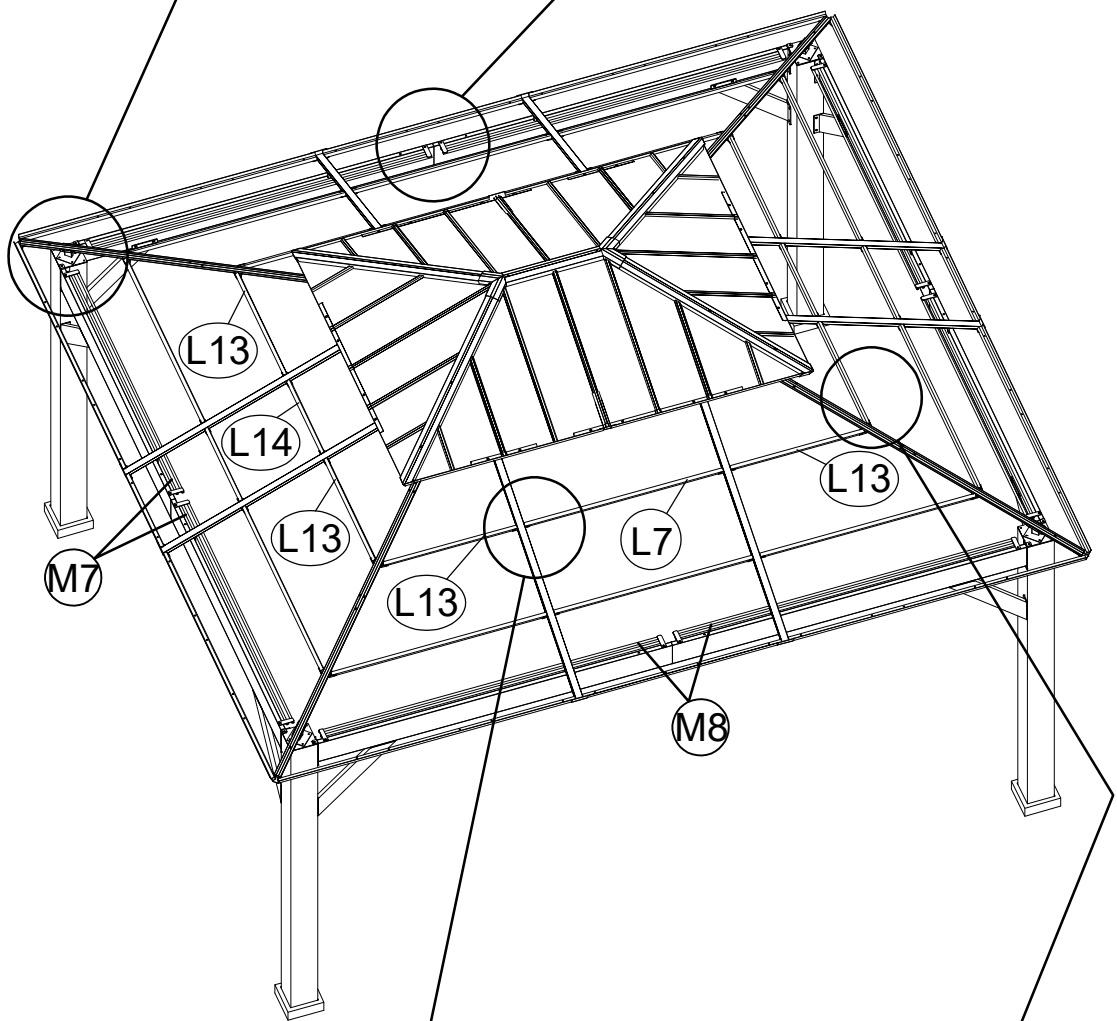
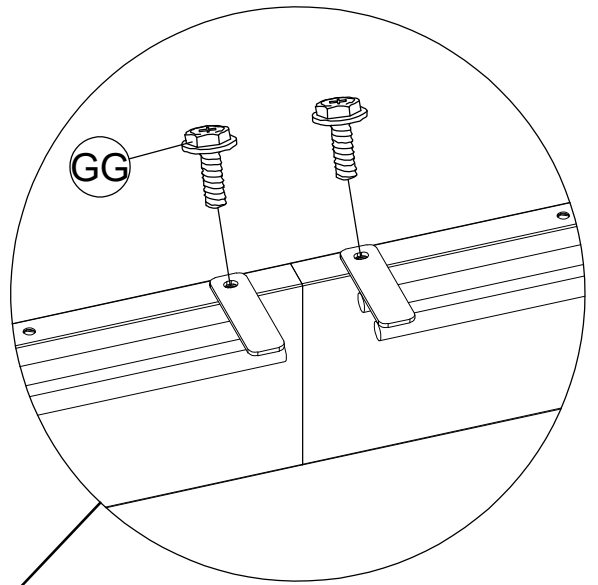
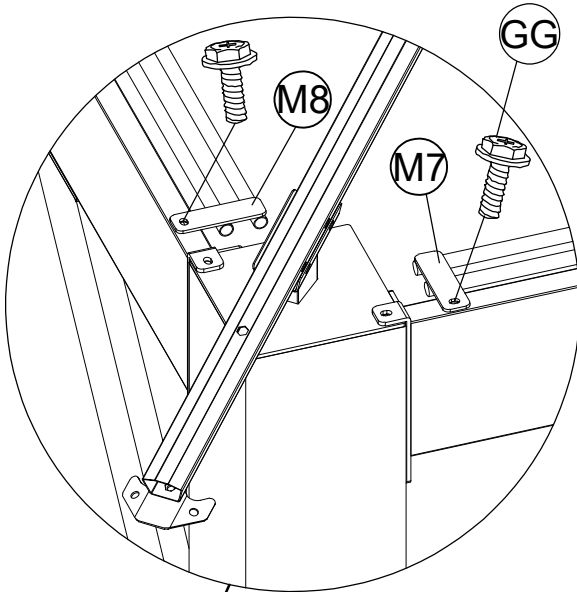
V 10x



<18>



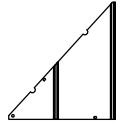
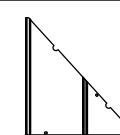
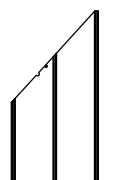

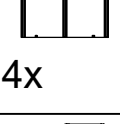
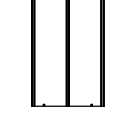
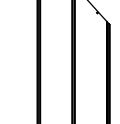
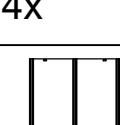

24

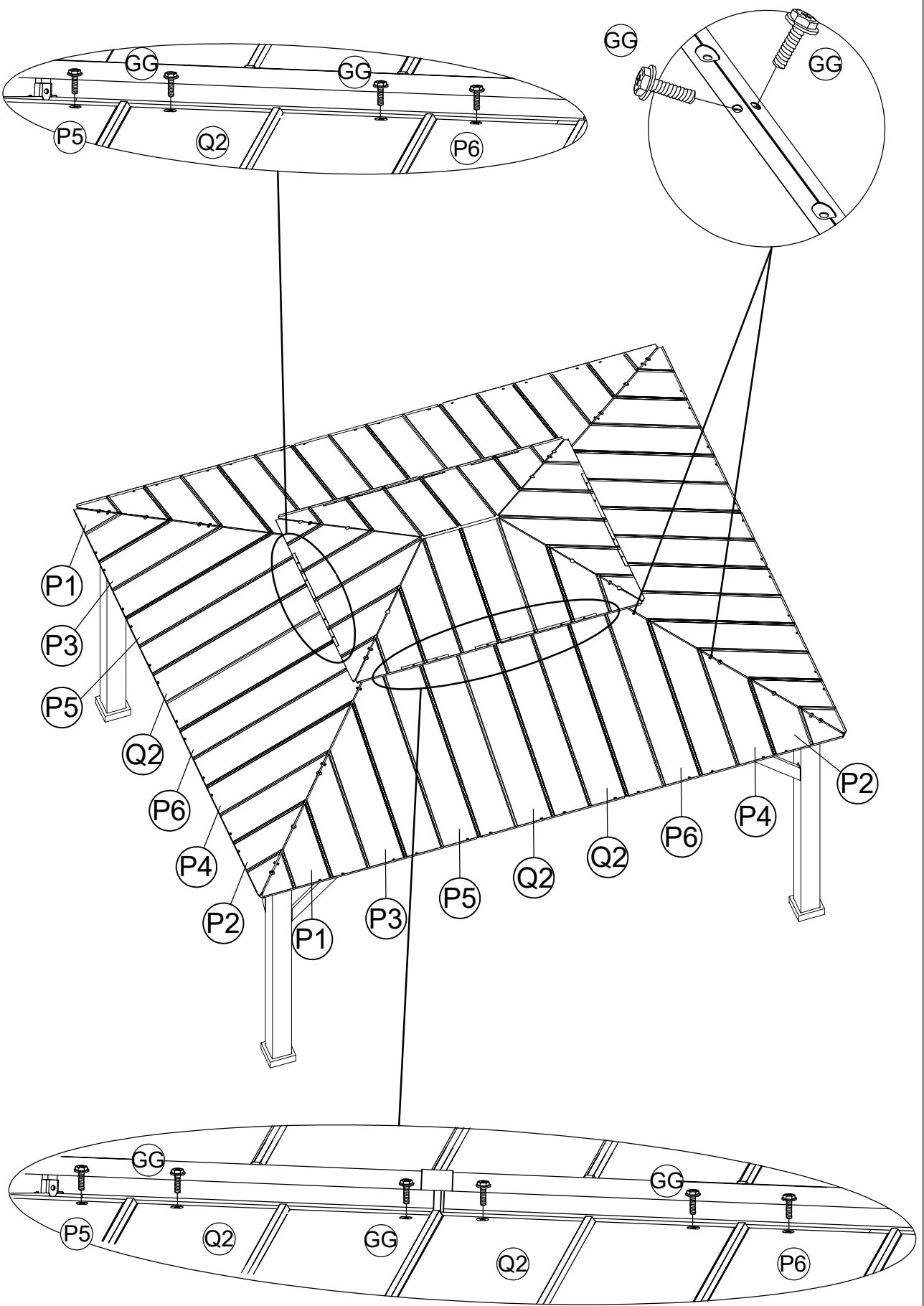


M6x15

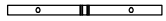
GG 40x

# <19>

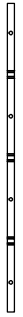
-  P1 4x
-  P2 4x
-  P3 4x
-  P4 4x
-  P5 4x
-  P6 4x
-  Q2 6x
-  M6x15
-  GG 36x
- 25



<20>



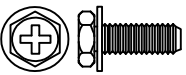
S1 2x



S2 12x

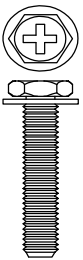


R3 4x



M6x15

GG 52x

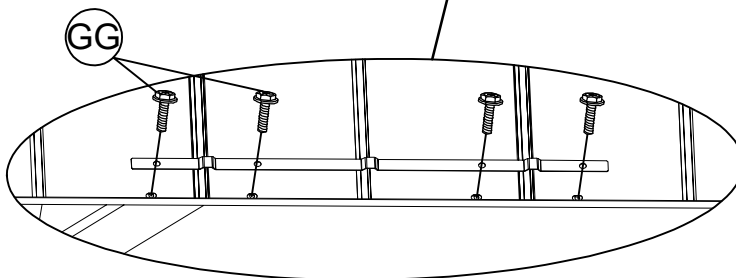
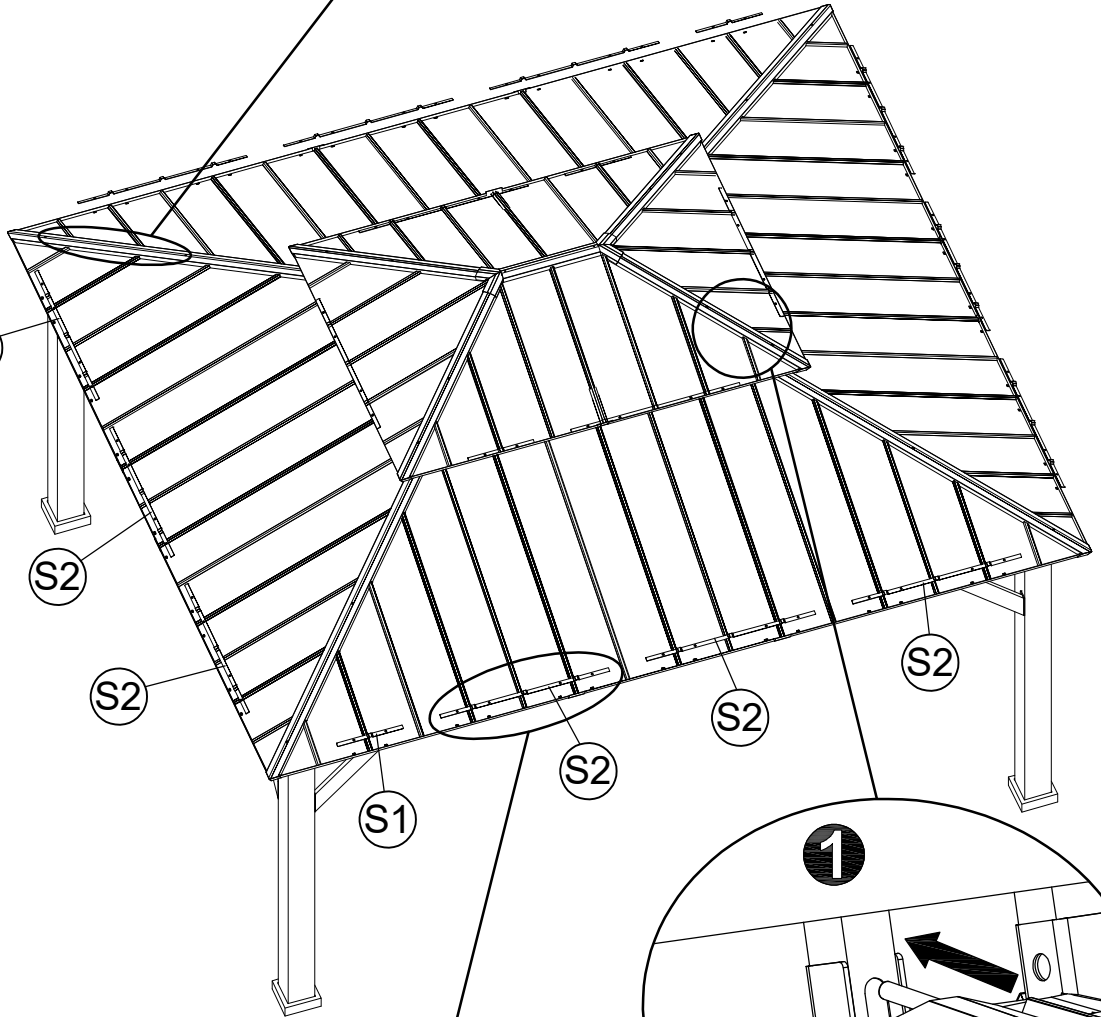
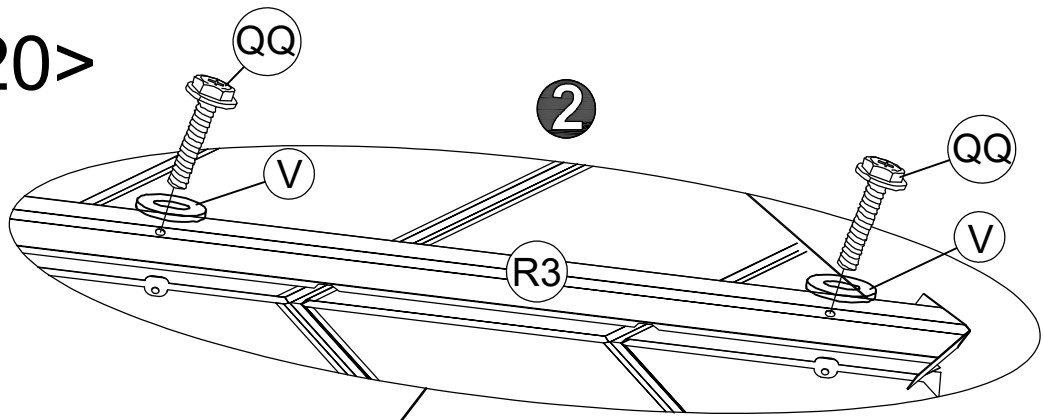
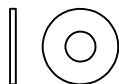


M6x40

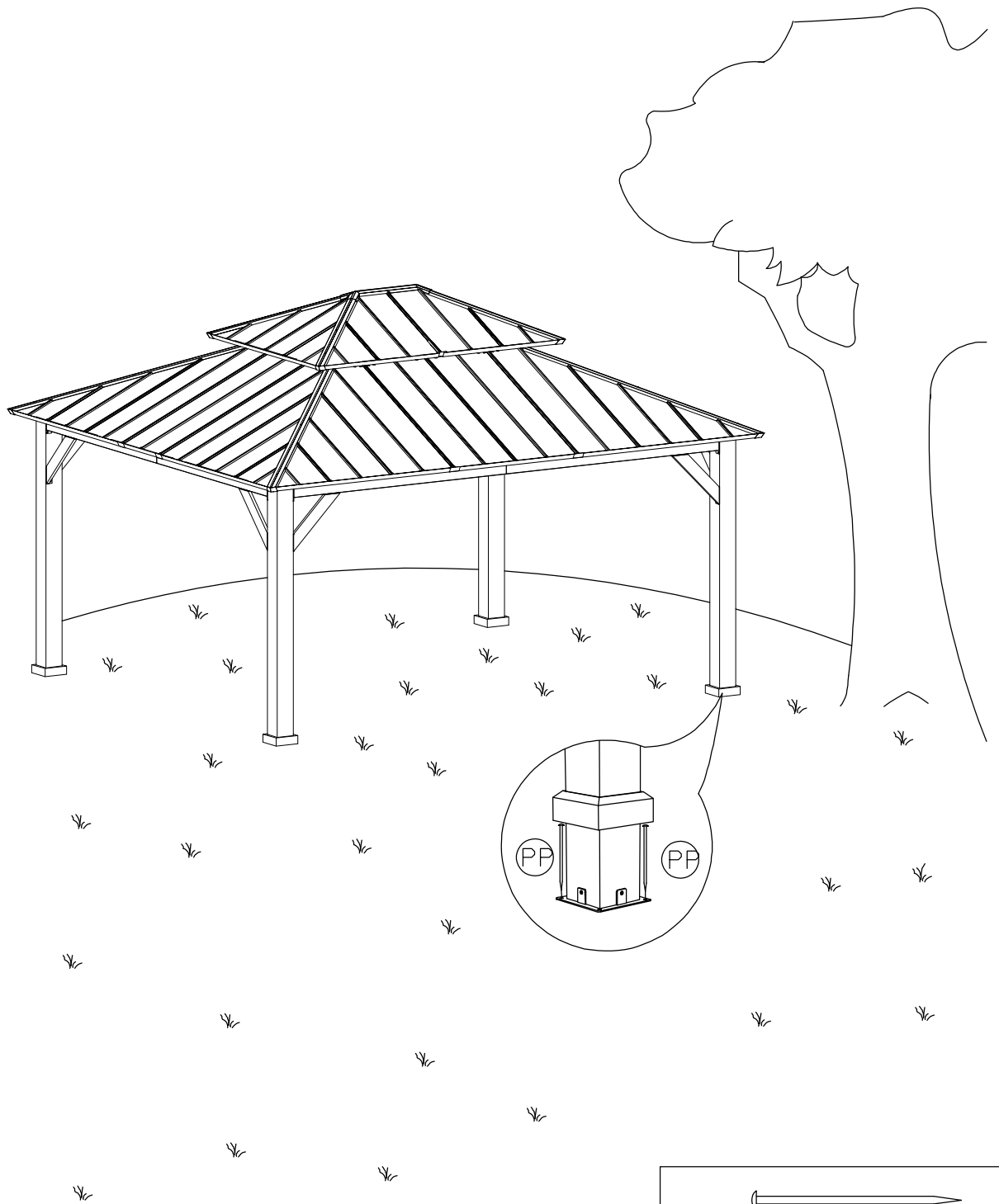
QQ 8x

26

V 8x



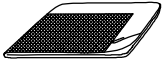
<21>





<22>

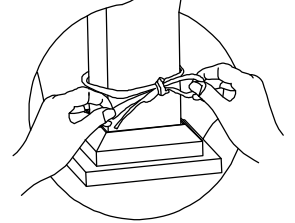
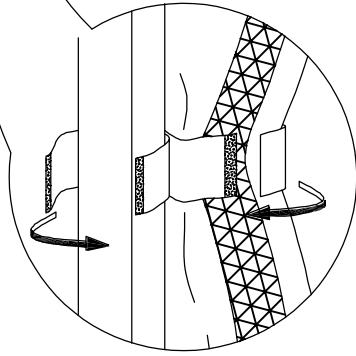
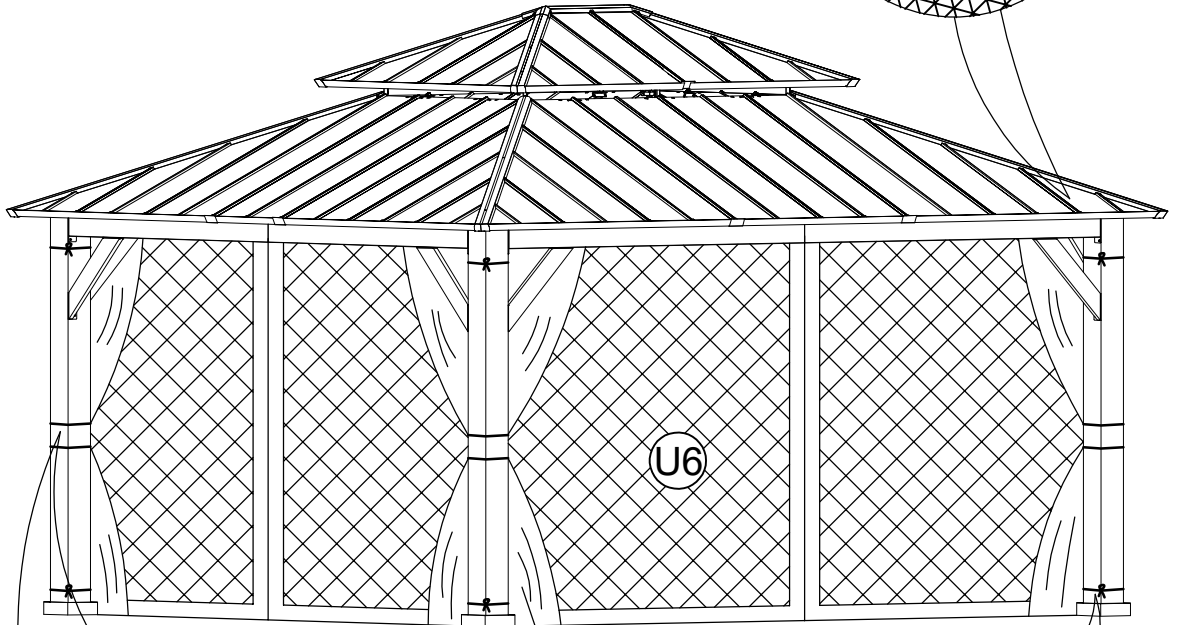
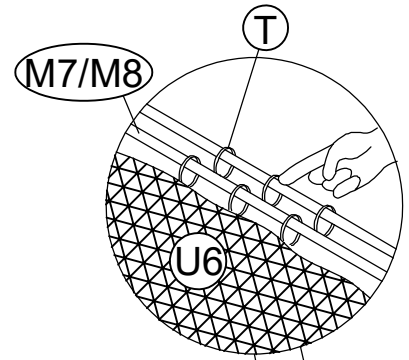
U5 1x



U6 1x



T 104x



1 2 3 4 5 6 7 1 2 3 4 5 6

U5 & U6

