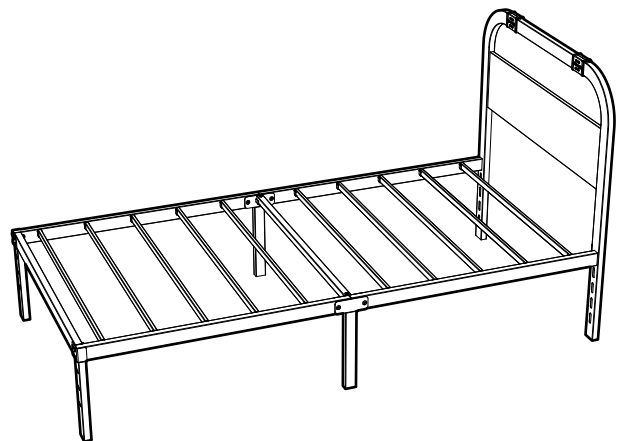


# Platform Bed Set-up Instruction

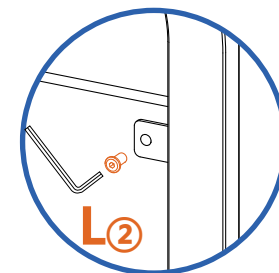
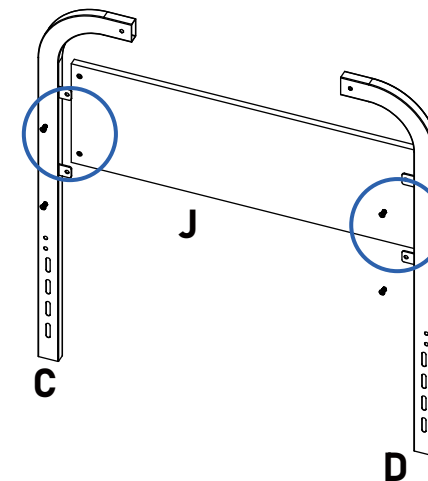
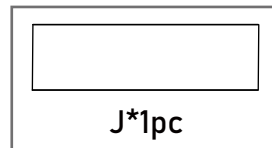
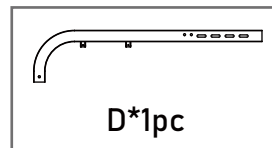
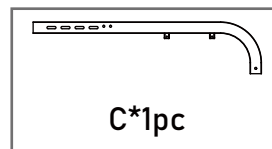
SIZE:Twin/ Twin XL

(H5001/ 02-C)



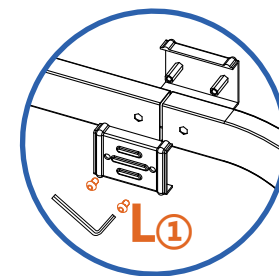
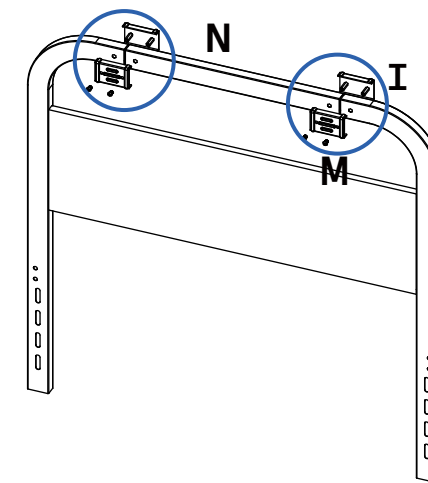
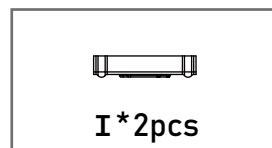
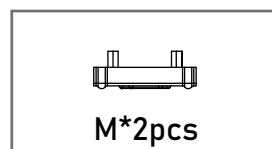
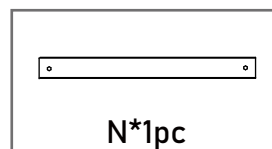
## Component composition

## Step 1-1 (Assemble the headboard)



Step 1-1: need L2\*4pcs(M8\*14)

## Step 1-2



Step 1-2: need L1\*4pcs(M6\*10)

Please do not tighten the screws on headboard until you finish all of assembly to bed frame, which will be helpful for your assembly.

### Headboard Parts List

N\*1pc

J\*1pc

C\*1pc

D\*1pc

### Bed Body Parts List

E\*2pcs

A\*1pc

B\*1pc

F\*1pc

G\*1pc

H\*10pcs

### Accessories List

L1\*4pcs(M6\*10)

L2\*4pcs(M8\*14)

R\*4pcs(M8\*37)

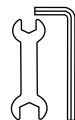
M\*2pcs

I\*2pcs

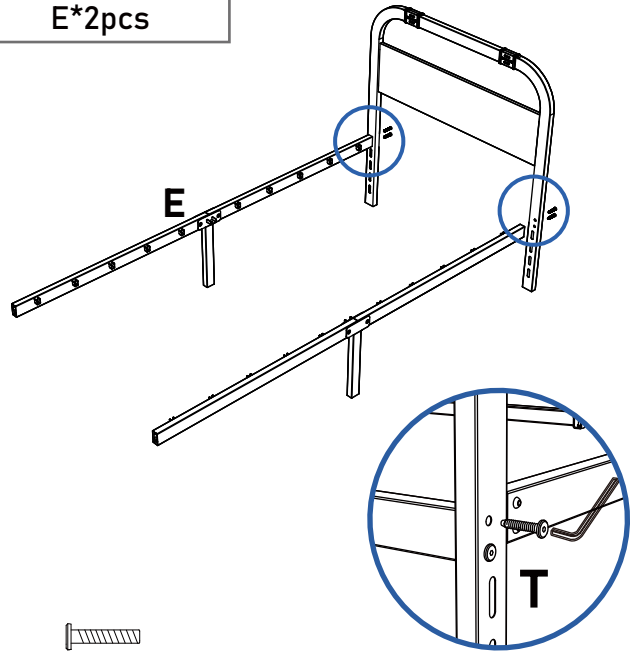
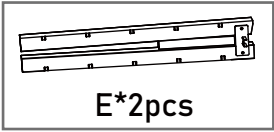
S\*4pcs(M8\*20)

T\*6pcs(M8\*41)

U\*4pcs(M8)

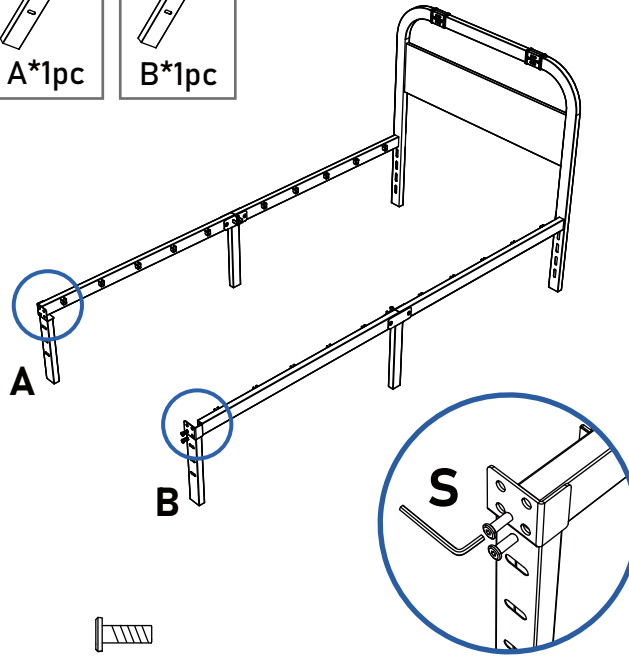
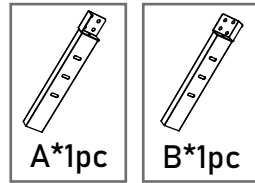


# Step 2



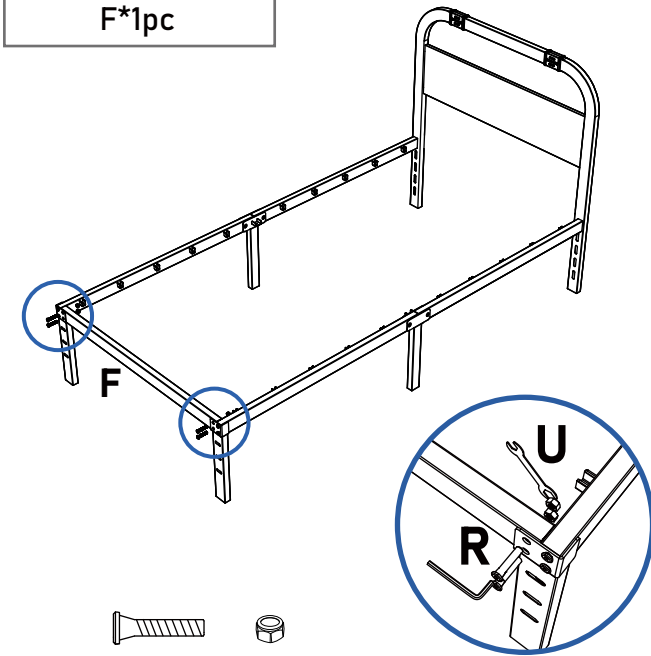
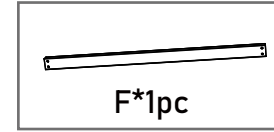
Step 2: need T\*4pcs(M8\*41)

# Step 3



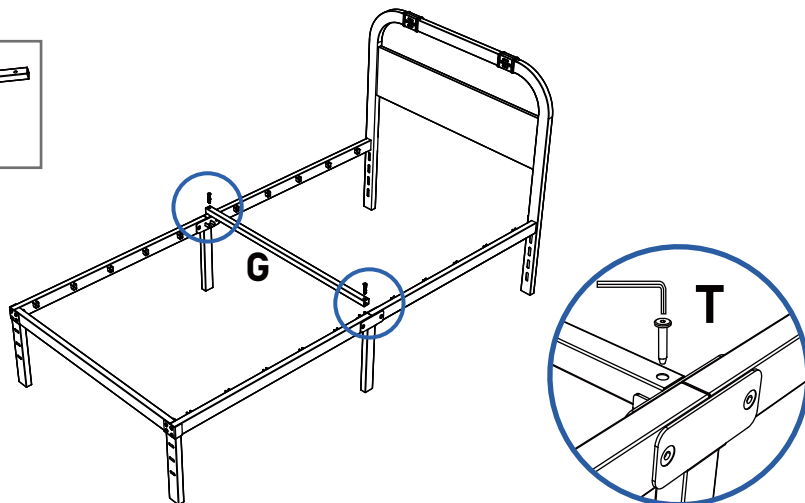
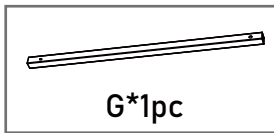
Step 3: need S\*4pcs(M8\*20)

# Step 4



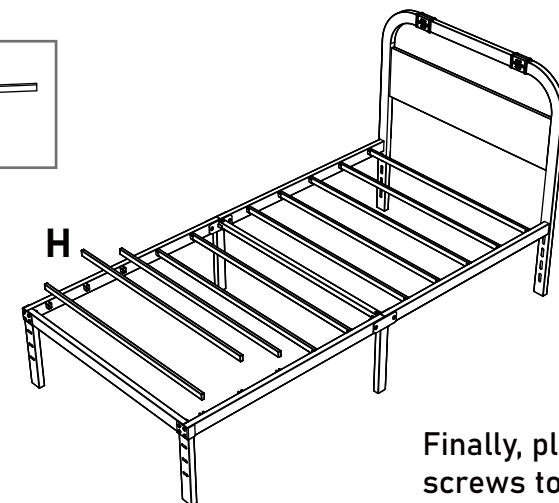
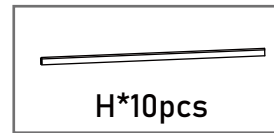
Step 4: need R\*4pcs(M8\*37) U\*4pcs

# Step 5



Step 5: need T\*2pcs(M8\*41)

# Step 6



Finally, please tighten all screws to prevent noise.