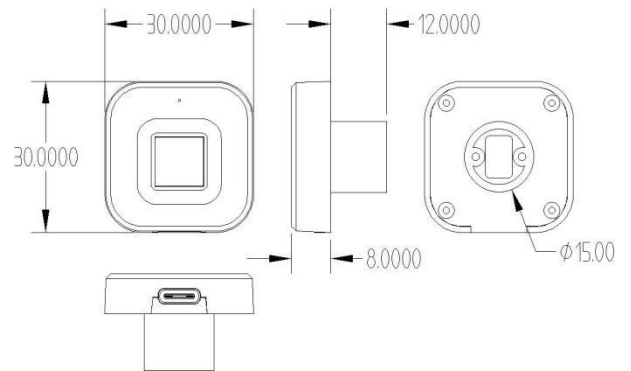
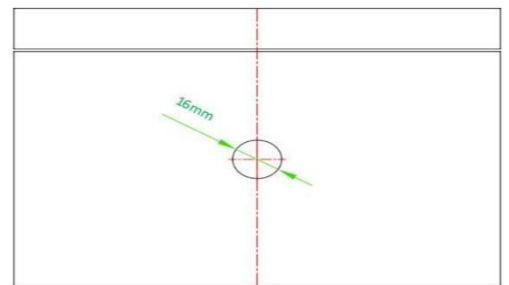


Product hardware introduction

Schematic diagram of panel When installing the panel, the opening of the panel is shown in the figure below, with a 16mm diameter mounting hole in the middle.

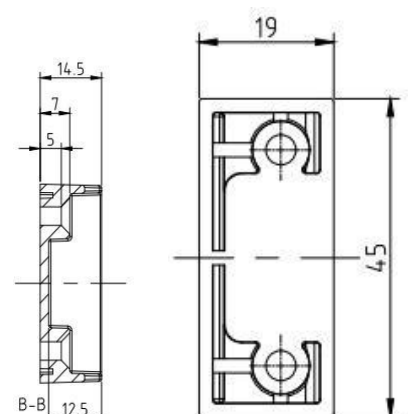
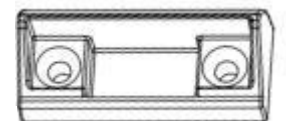
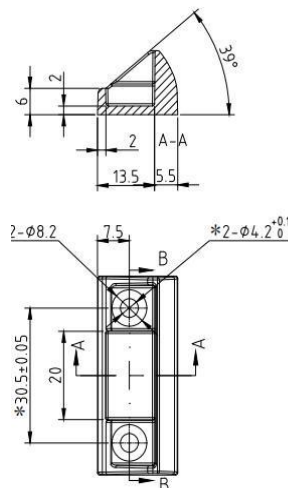
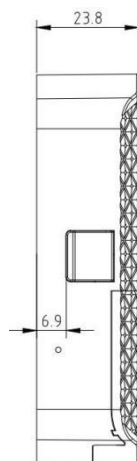


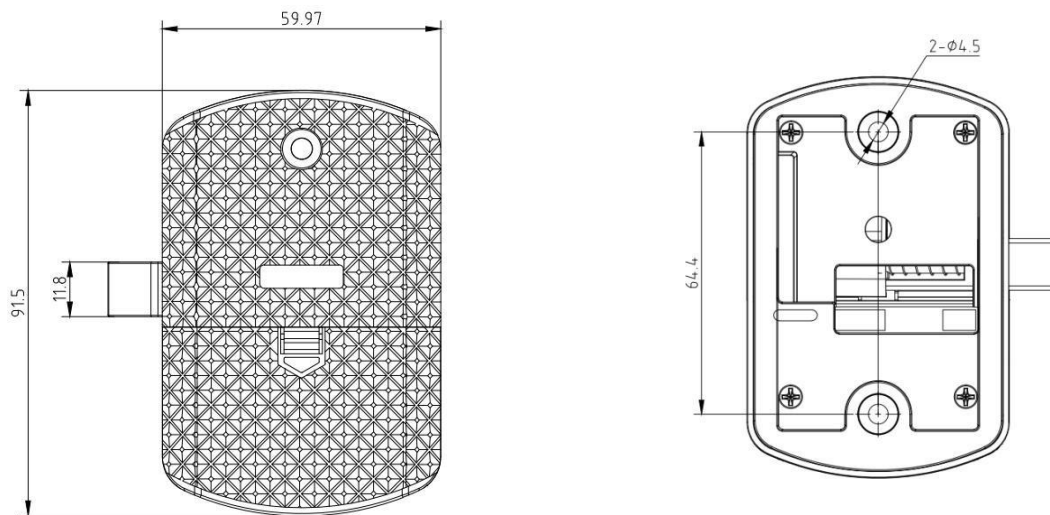
Comes with 16mm panel screws that can be matched, with a thickness of 15mm~15.50mm panel



lock body schematic diagram

Main schematic diagram

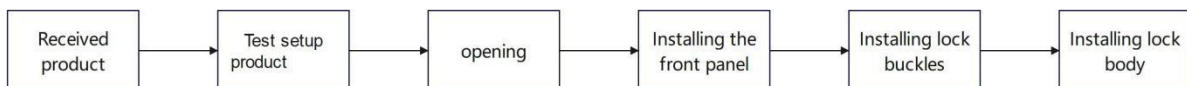




Schematic diagram of buckle

Product installation tips

It is recommended to install this product in the following steps



matters need attention:

1. After receiving the product, it is suggested to install the battery and connect the line before installation, and simply test the basic functions of the product, including whether the lock tongue is in and out normally, whether the fingerprint can be normally input normally, and whether the Bluetooth is connected normally.
2. It is suggested to set up, then install, so as to avoid the installation, found problems waste installation time.
3. It is suggested to install the buckle first, and then install the lock body, and

then according to the position of the buckle, the installation of the lock body, the buckle is similar to hidden installation, in case of installation problems, need to re-install, does not affect the appearance of the product, if the position of the installation of the problem, reinstallation, may affect the appearance.

Product operation instructions

In order to facilitate you to use this product, to meet the habits of more people using the product, this product supports local management, let's introduce below.

Local operation instructions

This product, initialized to the default experience mode, "experience mode state, any fingerprint can be unlocked".

- **Light indication:**
- **Fingerprint verification success: the indicator light is a blue** light flash, indicating that the device is in the factory state
- Fingerprint verification success: the indicator light is green flash
- Fingerprint verification failed: the indicator light is red flashing three times
- Low power alarm: after successful fingerprint verification, the green light flashes, and the red light flashes three times means that the power is insufficient

2. Register the fingerprint:

Time timeout in registration will quit, and you need to start again. Flash the red light in the registration. (Note: the first fingerprint registration, two fingerprints by default)

2.1 Press the finger till the green light (sky blue) flash and lift the finger;

2.2 Start to register your fingerprints;

2.3 Raise and press the finger ten times until the green light stops, indicating that the first fingerprint has been successfully registered;

2.4. After the first fingerprint is successfully registered, the blue light is on, and the second new finger is lifted and pressed ten times until the green light stops,

indicating that the registration of the second fingerprint is successful. (Note: When inputting fingerprint, lift the finger once, do not press all the time. When recording, the fingers should move up and down, left and right, and avoid pressing the same part of the finger ten times.)

3. Add a new fingerprint:

3.1 After verifying the input fingers, press the blue green light and lift it;

3.2 Start to input the new fingerprint, lift the finger and press it ten times until the green light stops, indicating that the registration of the new fingerprint is successful.

4. Use of Morse password: (After the restoration of factory Settings, all fingerprints cannot be restored.)

4.1 Use the Morse password to restore the factory settings

A, after the fingerprint is successful, press the blue green light (press do not lift);

B, The white light is on (long press do not lift);

C, until the red light is on and the green light is on, indicating that all fingerprints have been cleared and the factory state is restored

4.2 Setting of the emergency password

A. After unlocking the fingerprint, press the blue light (long press do not lift) until the white light is on;

B. After loosening the green light is on, press the fingerprint once (for example, press 5 is the number 5), press the set times and wait for the blue light to turn on;

C, After the blue light is on, press the set number of times (for example, press 6 is the number 6), press the set number of times and wait for the light to turn off.

D. The number of the green light press and the number of the blue light press form two digits (say 56). Remember your password.

4.3. Use of the emergency password

- A. When the fingerprint cannot be unlocked normally, press with any fingerprint until the white light flashes and releases;
- B, after the green light is released, press the set number of times (such as 5 times), and then wait for the blue light to come on;
- C, The number of times the blue light is set (say 6), and wait for the light to go out.
- D.If the red light flashes before the light is off, the password is wrong; if the green light flashes, the password is correct.
- E, After the password is correct, the lock will automatically open, and the factory state will resume. The fingerprint needs to be registered again.

4.4 Notes se Code using "th":

- A, If the emergency unlock password is not set, the default password is 33. If it is set, the default password is invalid.
- B. After the factory state is restored, the set password becomes invalid and becomes the default password.
- C, the timeout will exit in the emergency unlock password setting and use, exit need to start again. Emergency unlocking password set timeout red light flash, emergency unlocking password use timeout red light flash twice.