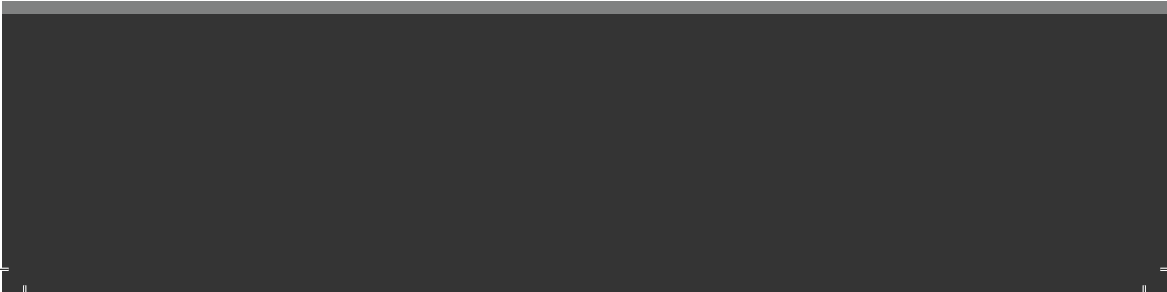
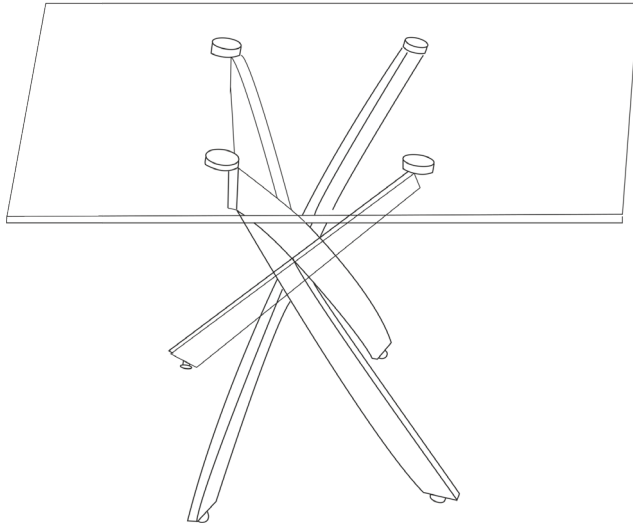


# COFFEE TABLE

## ASSEMBLY GUIDE



**Important - Please read these instructions fully before starting assembly**



**SAFETY AND  
CARE ADVICE**



**NO POWER TOOLS**

### **SAFETY AND CARE ADVICE**

- Check you have all the components and tools listed.
- Remove all fittings from the plastic bags and separate them into their groups.
- We do not recommend the use of power drills/drivers for inserting screws, as this could damage the unit. Only use hand screwdrivers and Allen keys.
- Keep children and animals away from the work area, small parts could cause choking if swallowed.
- Make sure you have enough space to layout the parts before starting.
- Assemble the item as close to its final position (in the same room) as possible.
- Do not overtighten the nuts to avoid causing damage to the threads.
- Only clean using a damp cloth and mild detergent, do not use bleach or abrasive cleaners.
- From time to time check that there are no loose screws on this unit
- This product should not be discarded with household waste. Take to your local authority waste disposal centre

## IMPORTANT INFORMATION



45 MINUTE  
BUILD



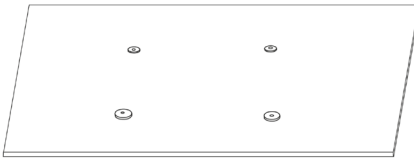
TWO  
PERSON



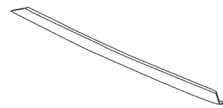
MAXIMUM  
CAPACITY 100Kg





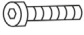



PLEASE CHECK CAREFULLY AND MAKE SURE YOU HAVE ALL FITTINGS AND TOOLS LISTED BELOW BEFORE YOU START.

1 x 1 TableTop



2 x 4 TableLegs

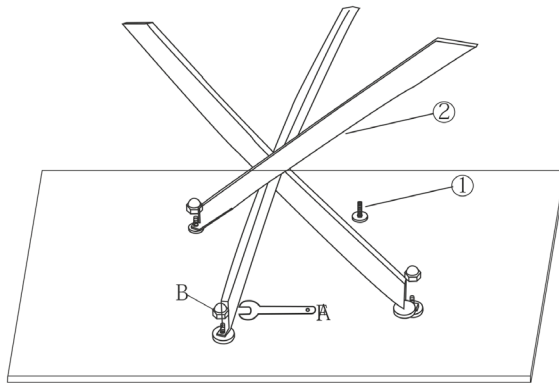
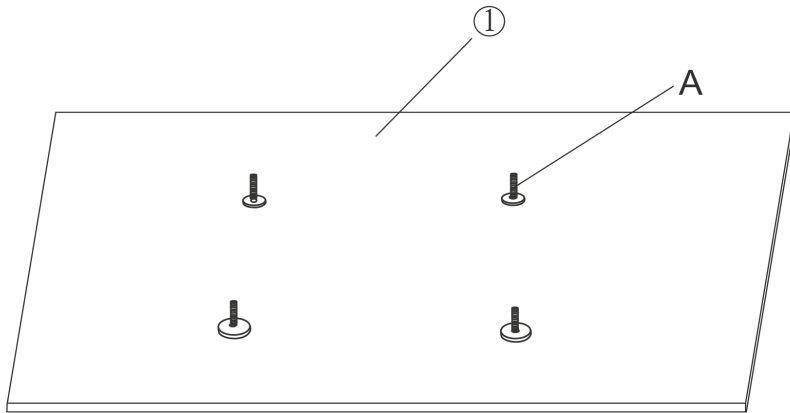


<p>A</p>  <p>Rod 8x15mm x4</p>	<p>B</p>  <p>Nuts M8 x4</p>	<p>C</p>  <p>TableFeet x4</p>
<p>D</p>  <p>Washers <math>\varnothing</math> 8x18mm x4</p>	<p>E</p>  <p>Screws 8x12mm x4</p>	<p>F</p>  <p>Wrench M8 x1</p>
<p>G</p>  <p>Allenkey M5 x1</p>	<p>H</p>  <p>ConnectingPiece x1</p>	

**NOTE:** The quantities above are the correct amount to complete the assembly. In some cases more fittings may be supplied than are required.

## STEP 1

Use a clear, flat, soft surface to avoid bumps or scratches. Place the table top [1] on the floor with the metal discs facing up. Screw 4 x rods [A] in to the metal discs.

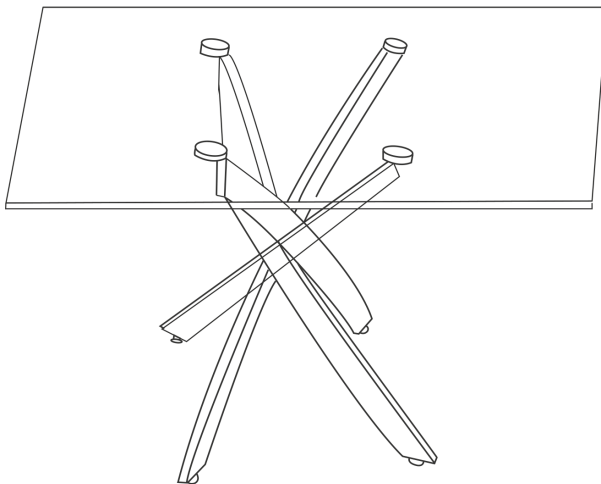
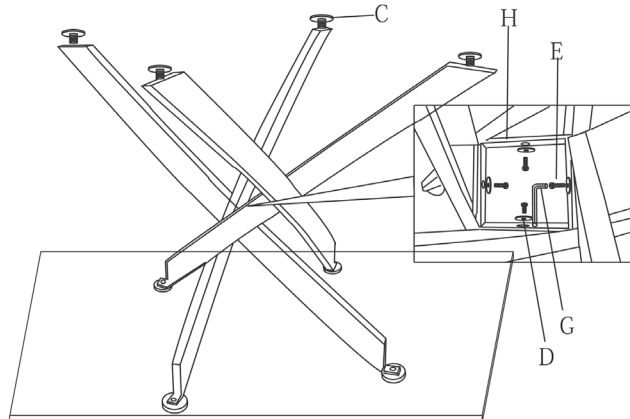


## STEP 2

Place the table legs [2] over the rods on to the metal discs. Use 4 x nuts [B] to secure table legs to table top. Repeat for all 4 table legs. **Do not fully tighten yet as you will need some manoeuvrability.**

### STEP 3

Add feet [C] to bottoms of table legs. Connect all four legs together in the middle using the connecting piece [H], washers [D] screws [E]. Tighten with Allen key [G]. Once connecting piece [H] is secured, you can then tighten all the table legs to the table top with wrench [F].



### STEP 4

**ATTENTION:** Carefully, and with help, turn your completed side table over so it's now the correct way up. Ensure stability.