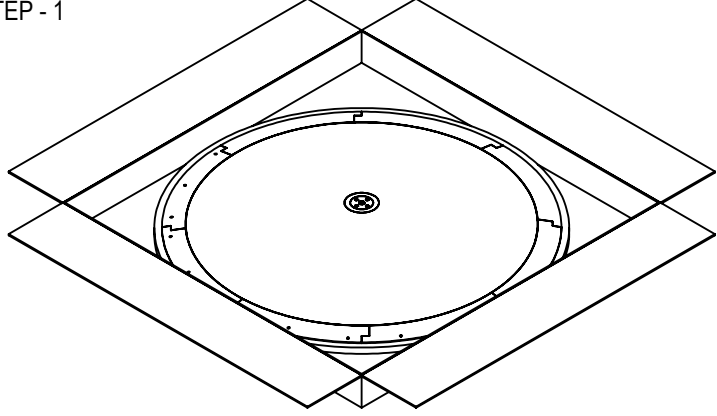


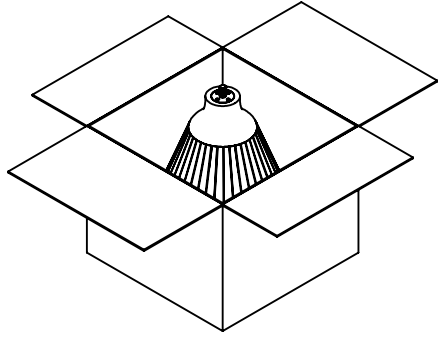


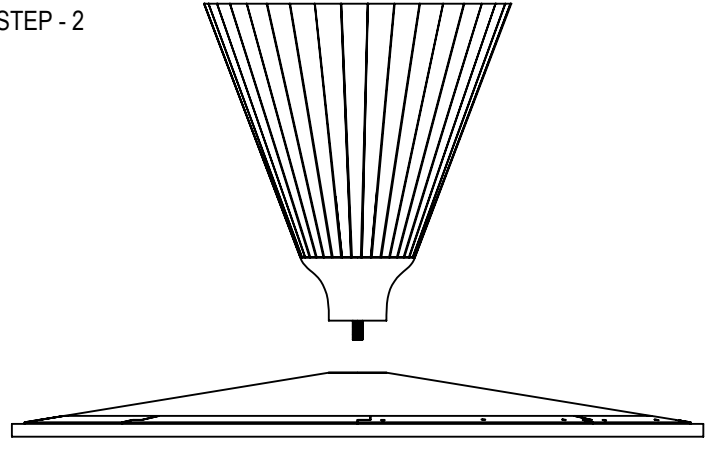
STEP - 1



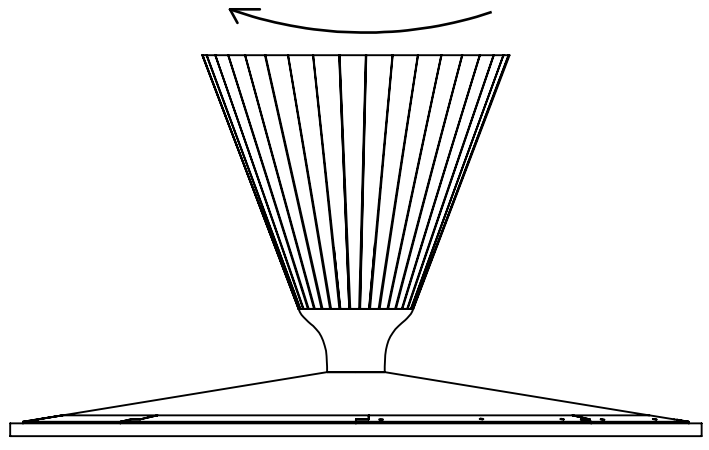
ROUND DINING TABLE			
S. NO.	PART	PART NAME	QTY.
1		TOP	1
2		BASE	1



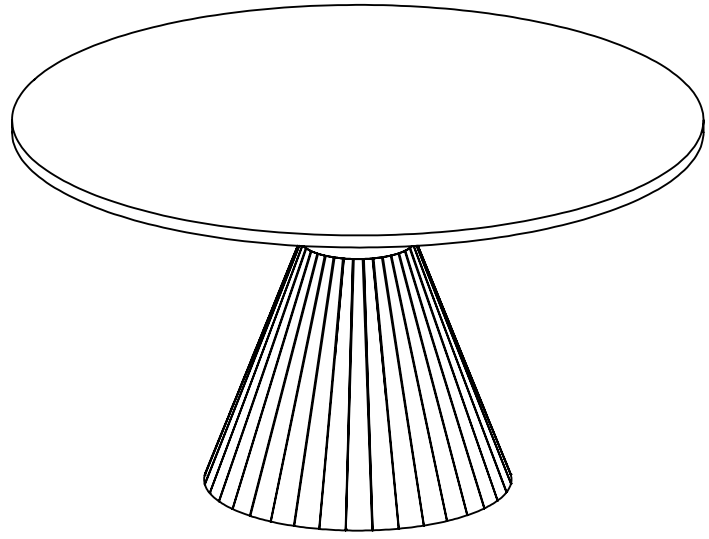
STEP - 2



STEP - 3



STEP - 4



ASSEMBLED THE PRODUCT ON MAT OR CARPET