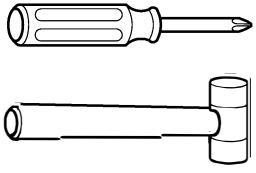
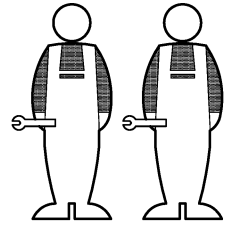
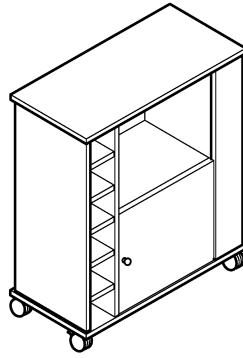


ASSEMBLY INSTRUCTIONS

Item : Wine Cart

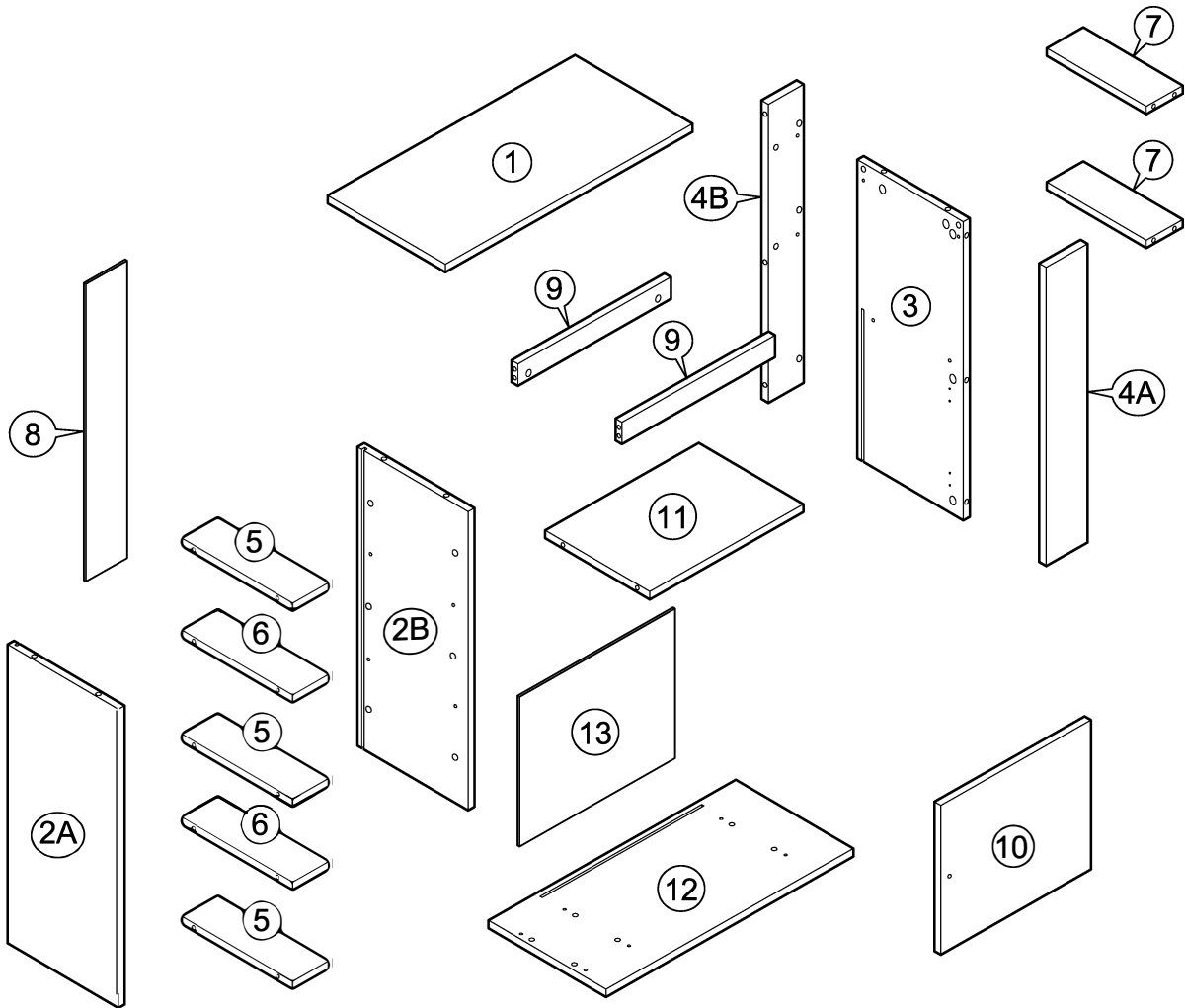


Not Provided




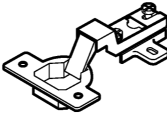

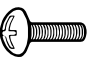

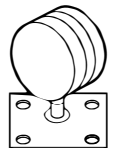


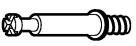
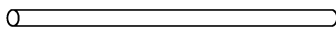

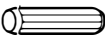


2 Persons

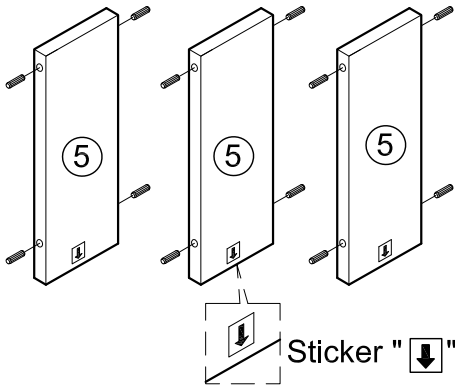
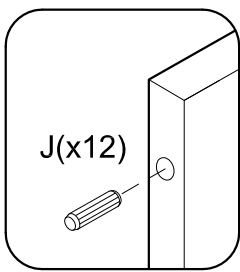
Part List



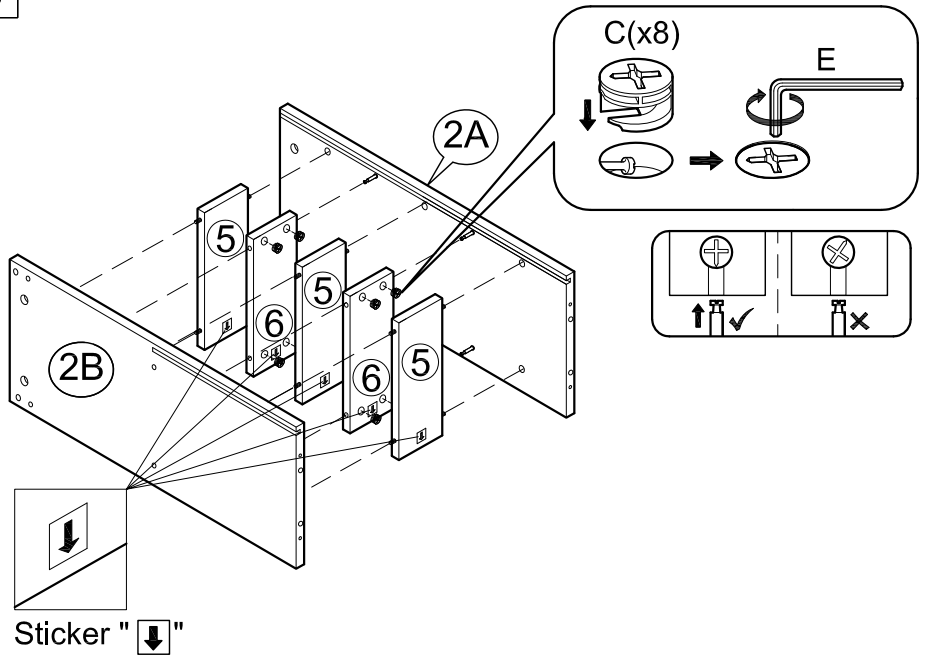
Hardware List

A  = 1	F  M3.5 x 12mm = 16	K  50mmØ With Lock = 2	M   Mini-7/8" = 2
B  20mm = 1	G  M3.5 x 16mm (Black) = 8	L  50mmØ Without Lock = 2	
C  12mm = 32	H  Pan Head #8 x 1 1/4" = 6		
D  34mm = 32	I  320 x 9Ømm = 3		
E  = 1	J  M8 x 35mm = 26		

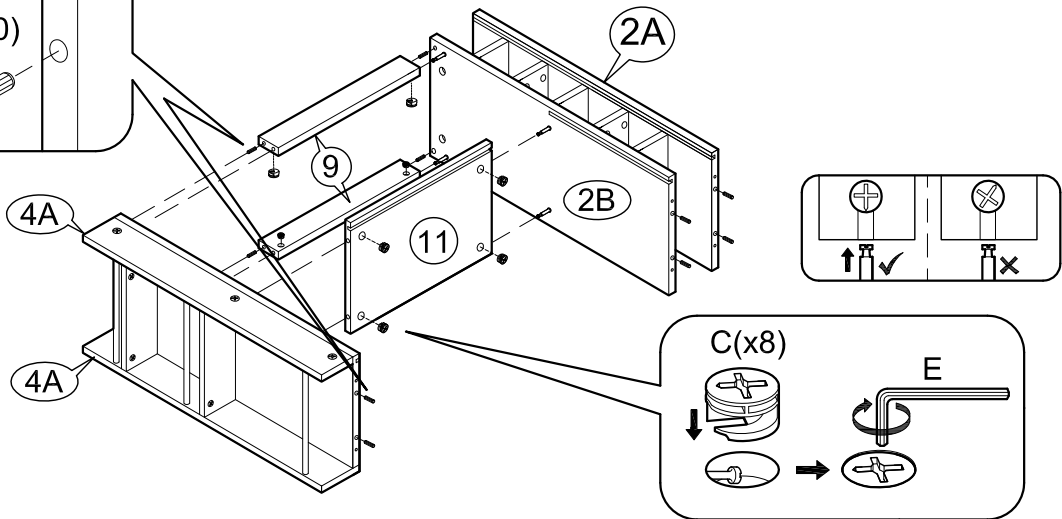
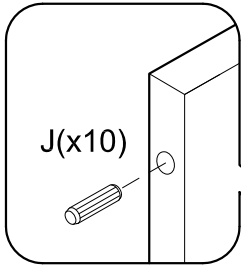
4



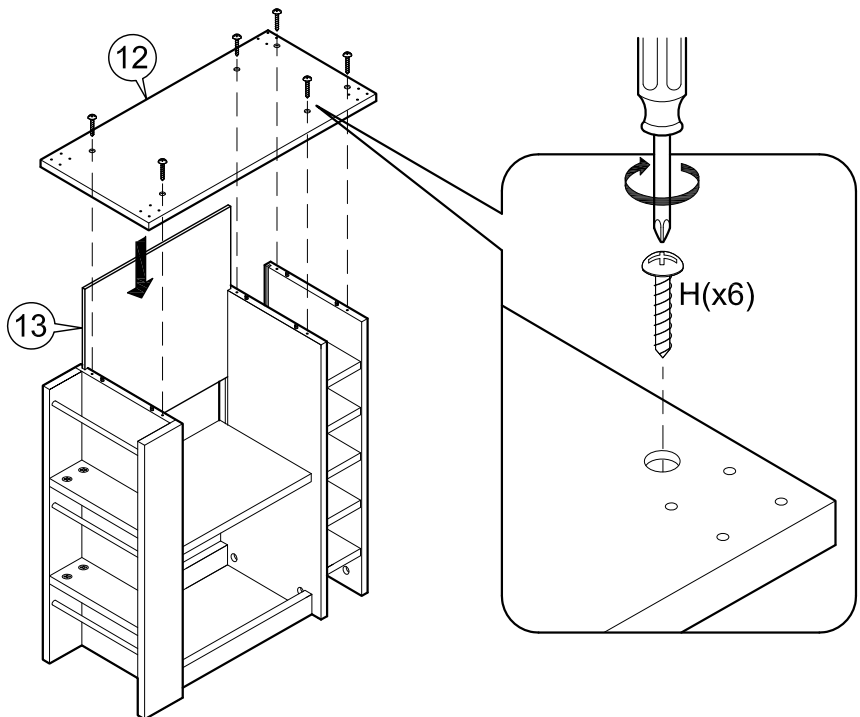
5



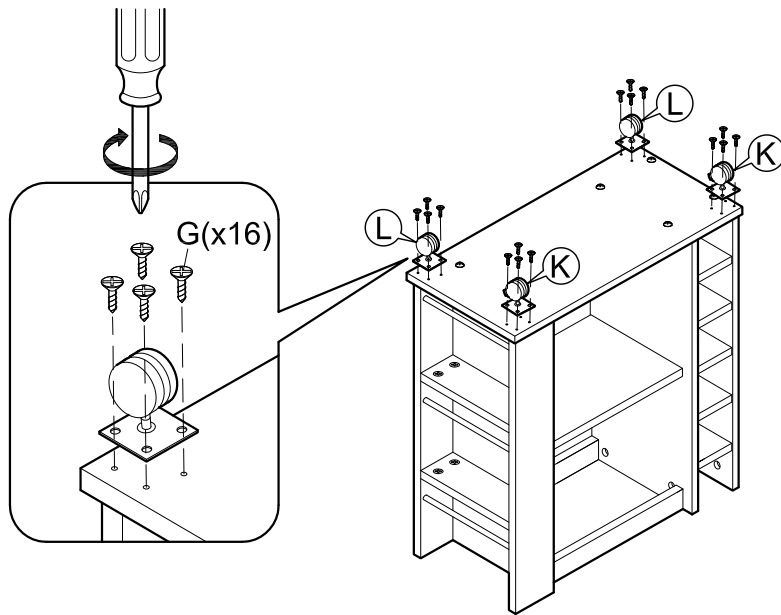
6



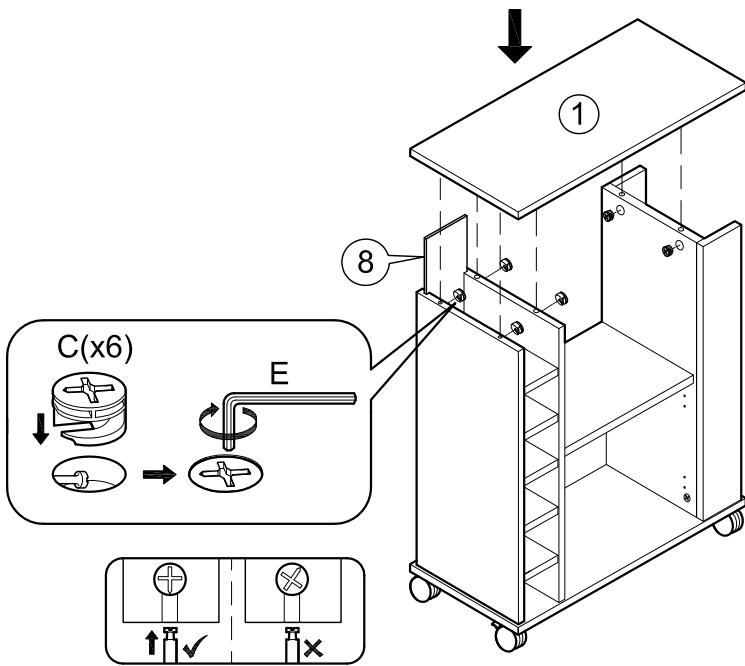
7



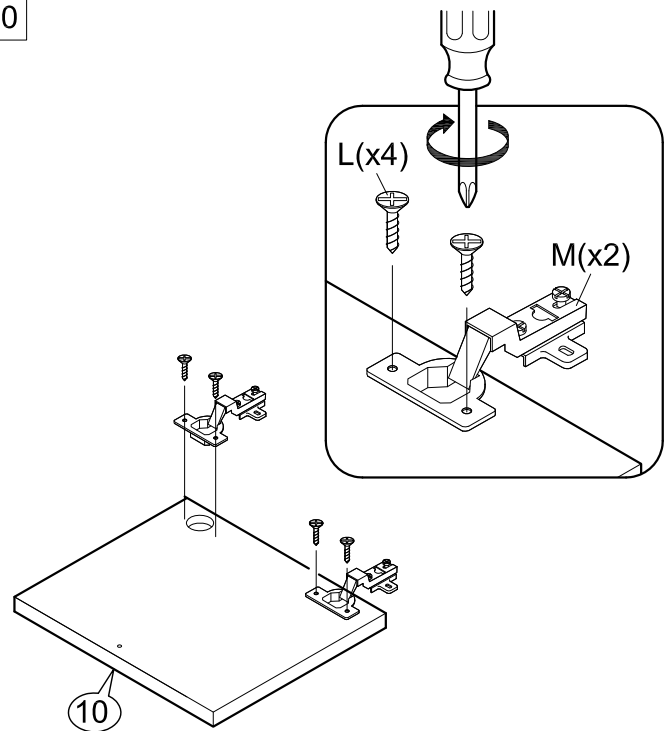
8



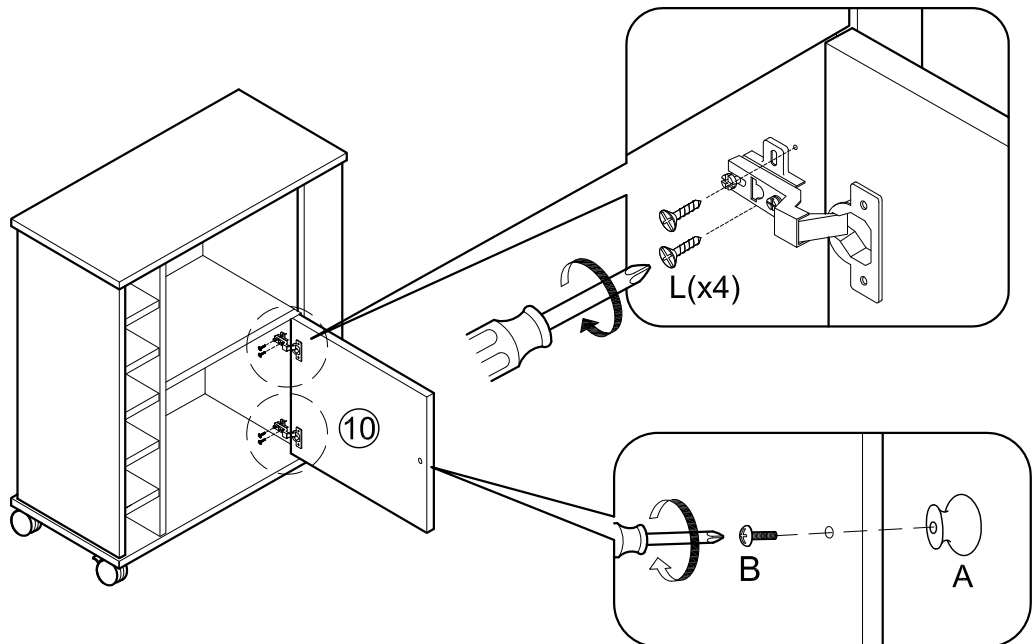
9



10

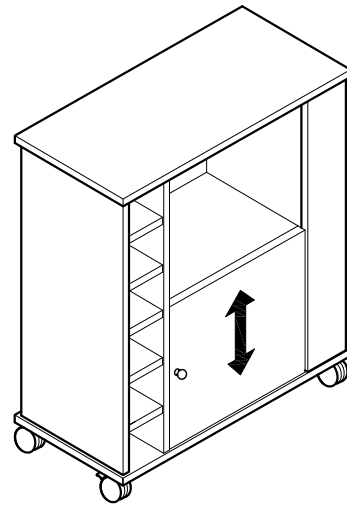
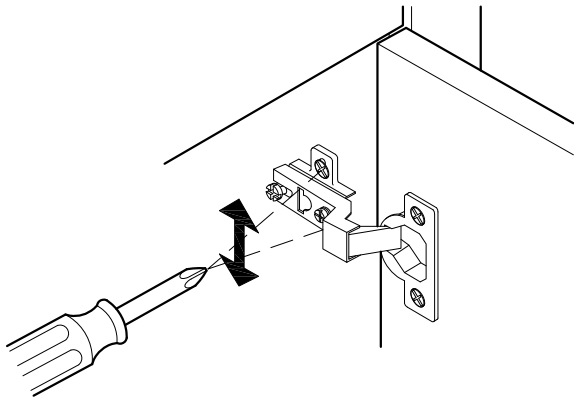


11

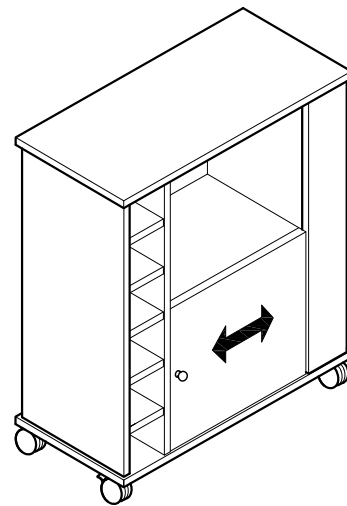
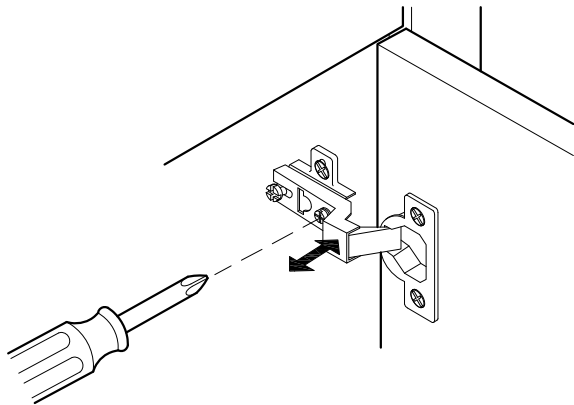


ADJUST THE HINGE TO MAKE THE DOOR EVEN

12



13



14

