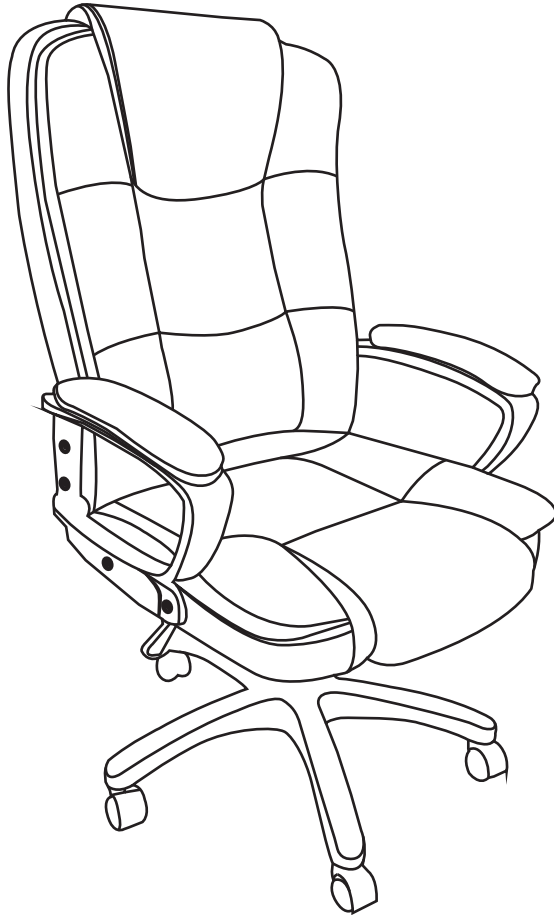


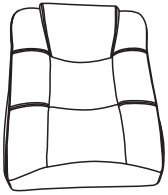
Office Chair



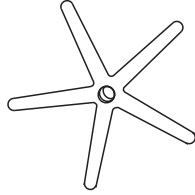
Missing parts, damages, and any problems in the installation process, please contact us by text or email. Please choose SMS or email as your first choice for communicating with us.

Parts list

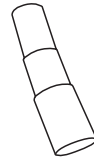
(1) A x1



(2) B x1



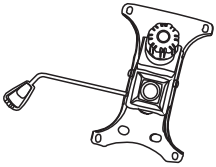
(3) C x1



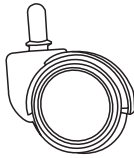
(4) D x1



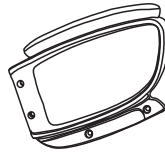
(5) E x1



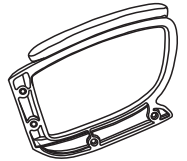
(6) F x5



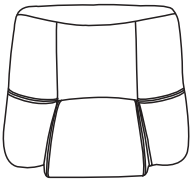
(7) G1 x1



(8) G2 x1



(9) H x1



(10) I x8



(11) J x4



M6*20mm

(12) K x1



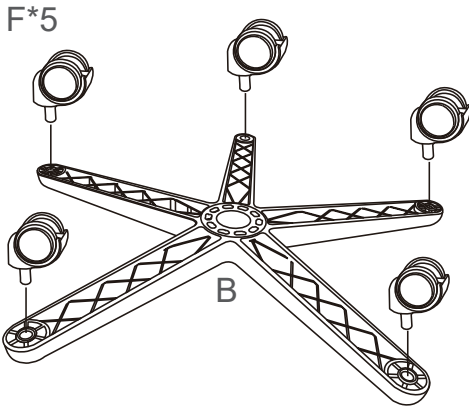
(13) L x8



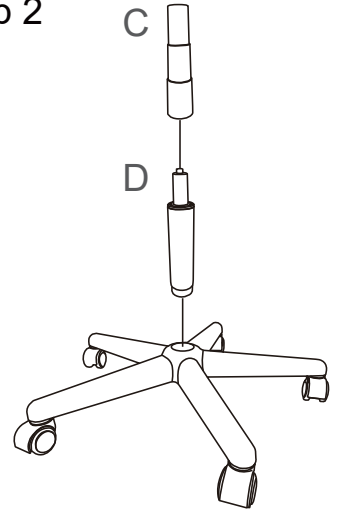
M6*35mm

Installation steps

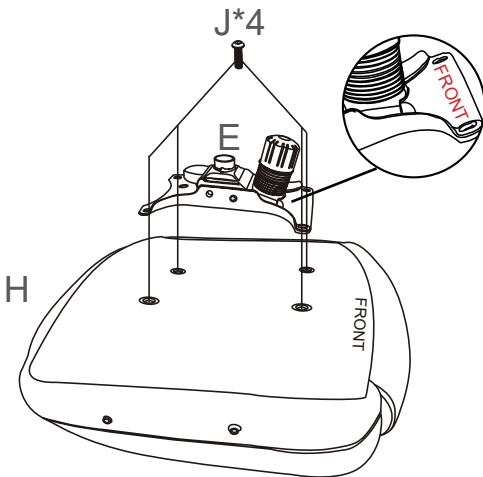
step 1



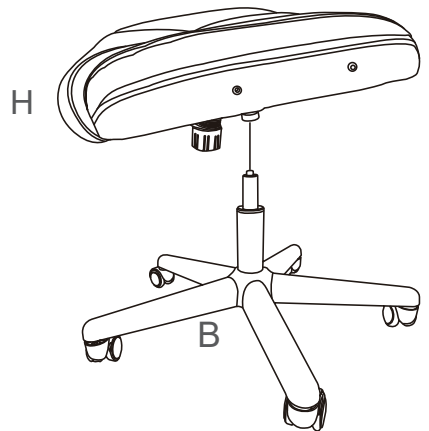
step 2



step 3

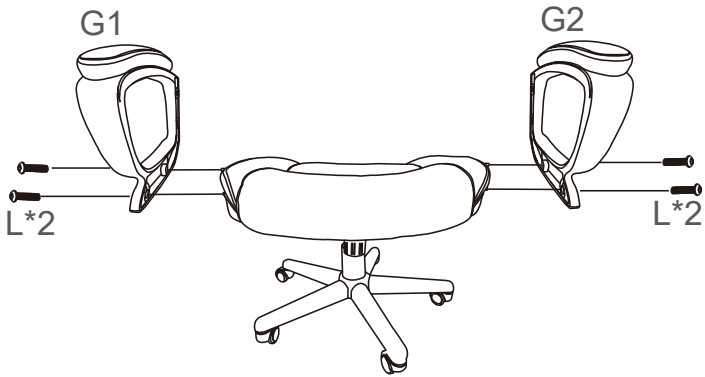


step 4



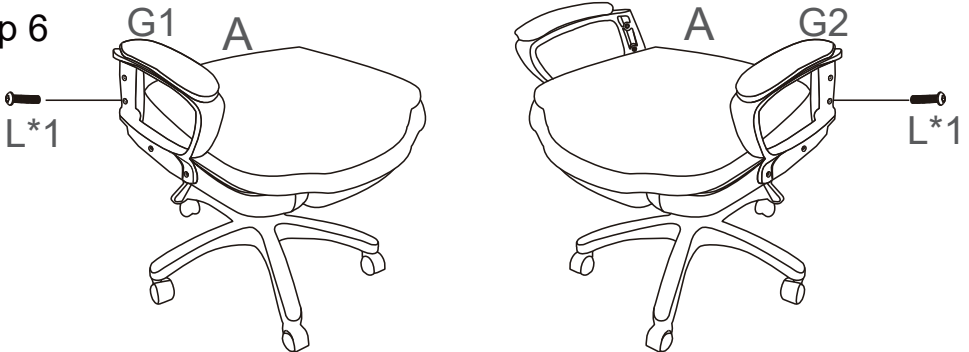
Installation steps

step 5



Don't tighten the screws

step 6

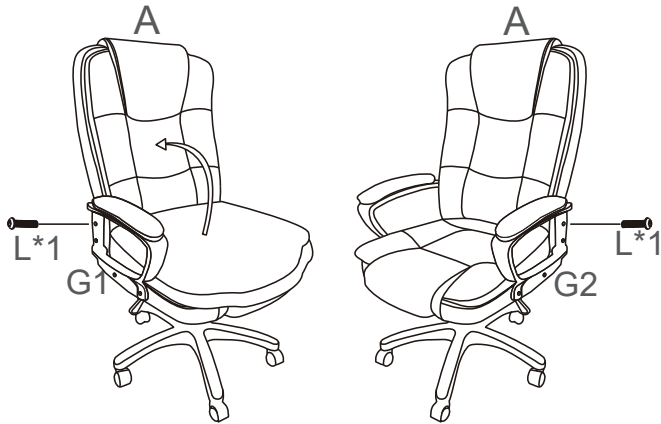


Put the chair backrest on the cushion and install the screws L

Don't tighten the screws

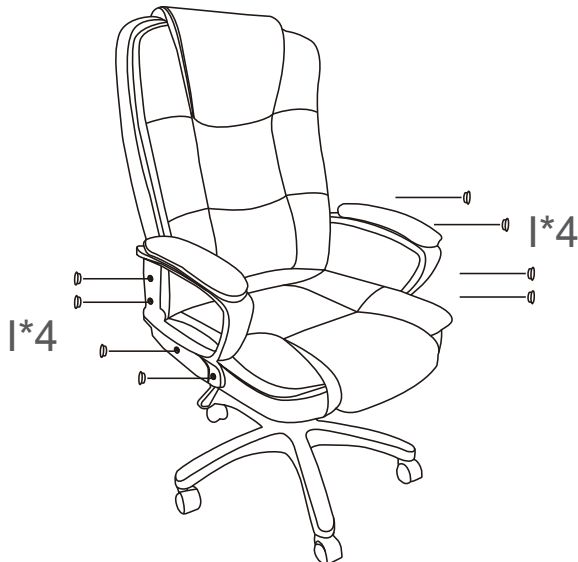
Installation steps

step 7



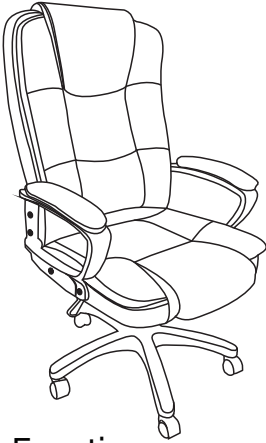
Straighten the backrest in advance and then lock the screws

step 8

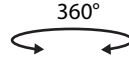


Tighten all the screws and put the lids on

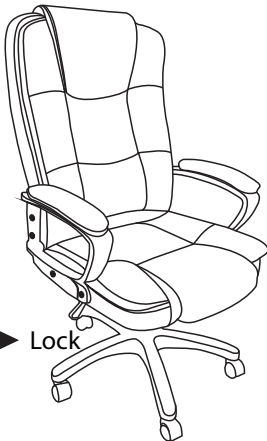
Function



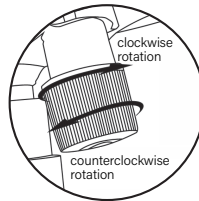
1.Height Function
Seat height adjustment



3.Rotation Function
360 degree swivel



2.Rocking Function
Pull out the handle to start rocking.Insert to stop rocking



4.Rocking Adjustment Function
The tighter the knob is turned, the less shaking it is, and vice versa.

1.

Q: The chair doesn't stay at the height I want, and sunk when I sit on it. What should I do?

A: This problem can be solved by replacing the gas lift. Please find our YouTube channel (vitesse gaming), we uploaded the video of gas lift moving process (named: remove the gas lift). If you can't solve the problem even with the help of the video, please contact us and we will send you a new replacement part.

2.

Q: I received a screw that couldn't match with the hole or I received an incomplete screw, what should I do?

A: If the screw didn't match or couldn't tight with hole, please check whether the screw has thread or the hole has thread. If not, please contact us. Of course, we will send you replacement screws if they were lost.

3.

Q: I found that the chair was very wobbly when I sat on it, what should I do?

A: Please check whether the screws of the armrests and backrest are tightened first. If all the screws are tightened and the chair still shakes, maybe it was caused by mechanism damage. Please send some pictures about it, we will send replacement after confirm.

4.

Q: Does the seat itself have a tilt locking mechanism? Something I can lock in to keep me from tilting?

A: Sorry, this type of chair does not have a tilt locking function, but it has the rocking function.