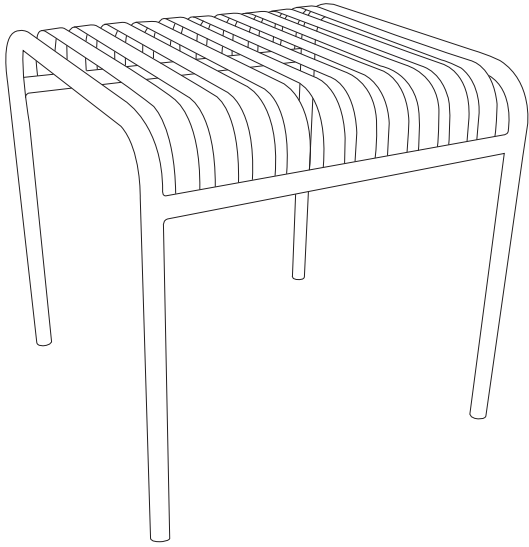


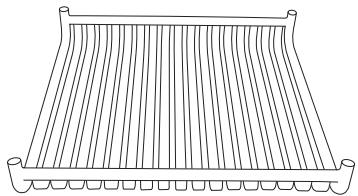
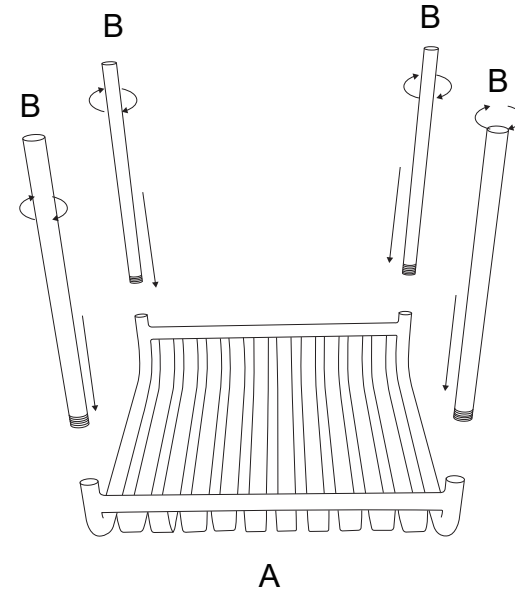
# Assembly Instructions

## ENID-22 Outdoor Side Table

PLEASE NOTE: Check that you have received all components and hardware before assembling. If you are missing any parts, contact your retailer.



### Step 1

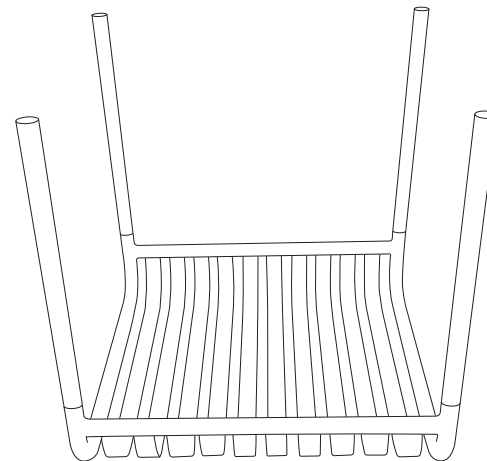


A (1pc)



B (4 pcs)

### Step 2



During assembly, hand tighten screws only. When the screws are in place, tighten completely.