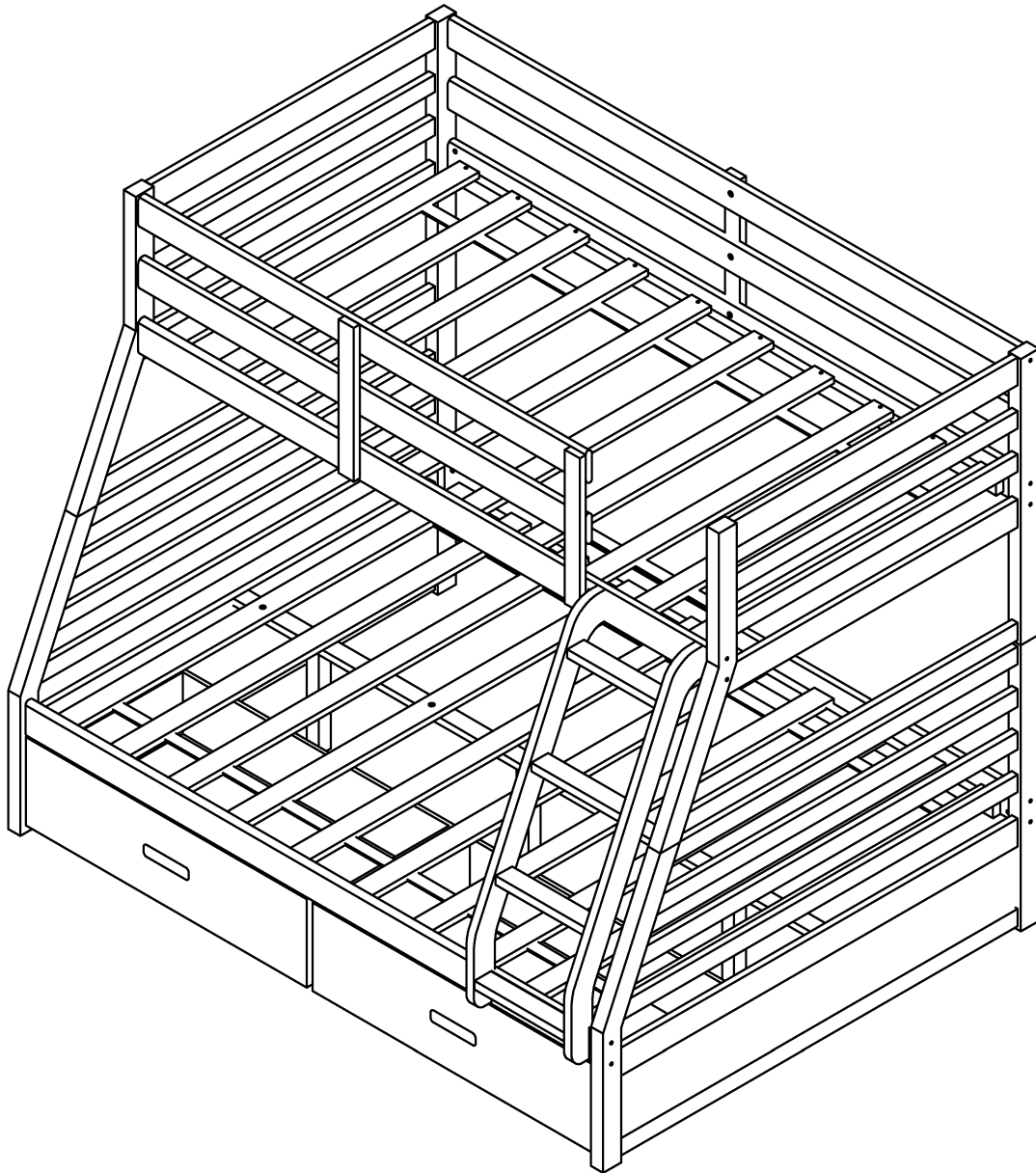


# ASSEMBLY INSTRUCTIONS



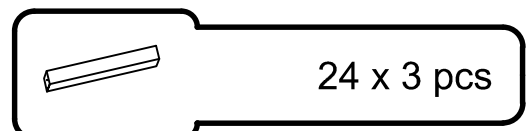
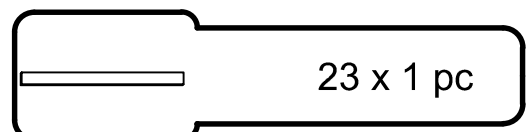
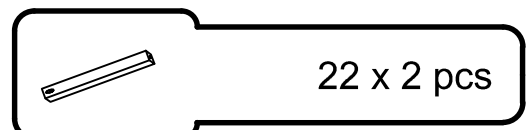
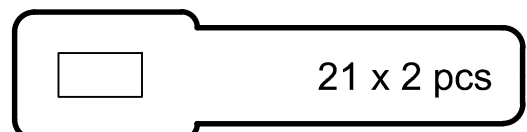
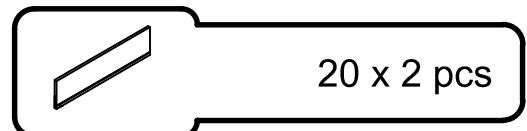
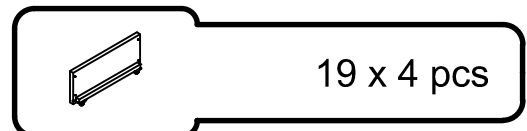
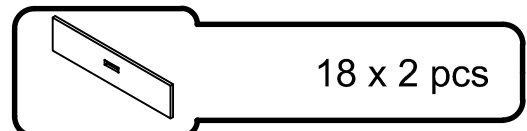
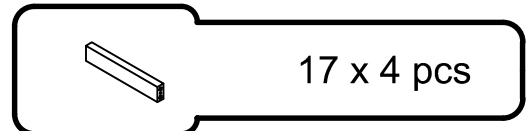
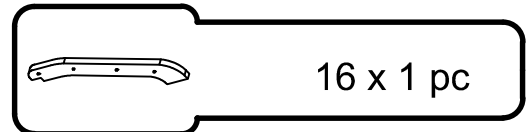
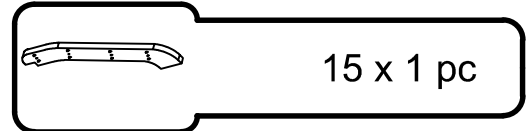
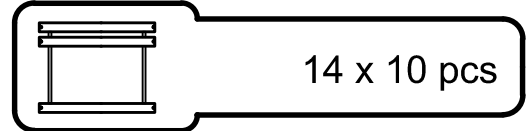
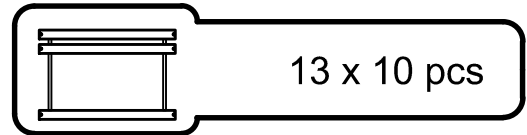
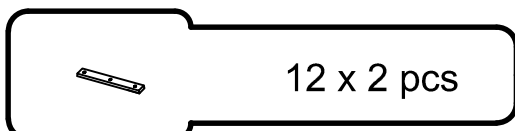
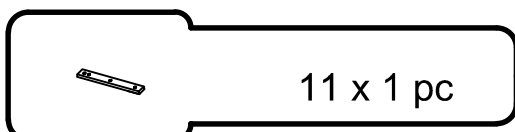
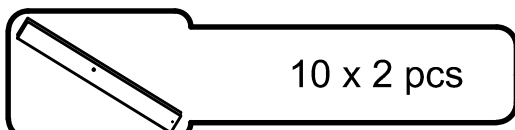
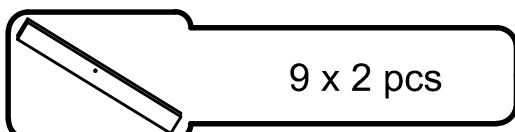
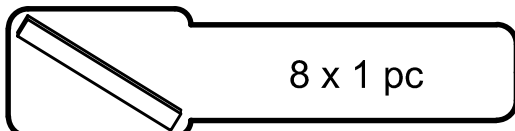
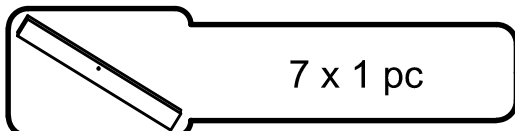
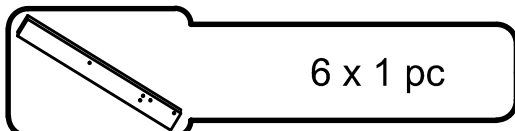
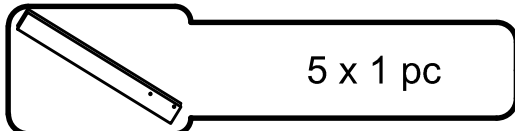
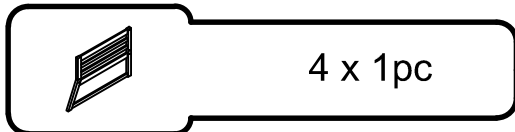
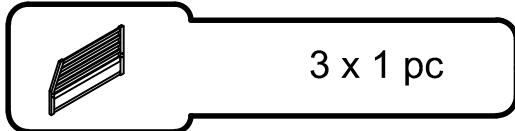
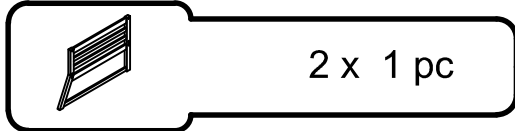
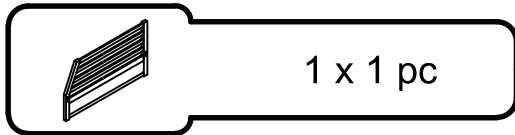
2 PERSONS RECOMMENDED

EASY

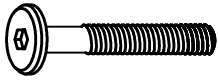


DIFFICULT

# Parts List



# Hardware List



A x 16 pcs

BOLT 1/4 X 90 (F15)



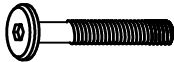
B x 6 pcs

BOLT Ø6.3 x 80 (F15)



C x 16 pcs

Screws \_noom



D x 17 pcs

BOLT 1/4 X 35 (F15)



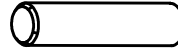
E x 44pcs

Wood Screw Ø4 x 30



F x 20 pcs

Wood Screw Ø4 x 25



G x 4 pcs

Ø9 x 90



H x 1 pc

Allen Wrench M4



I x 28 pcs

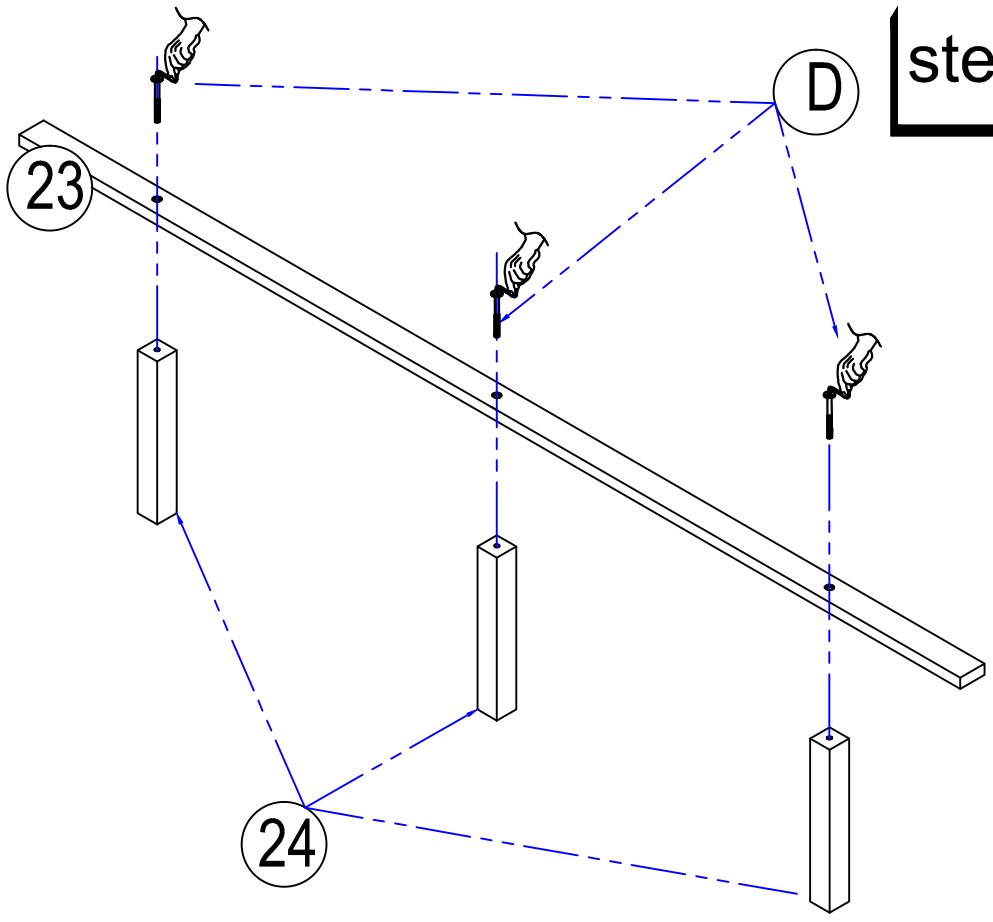
Ø8 x30



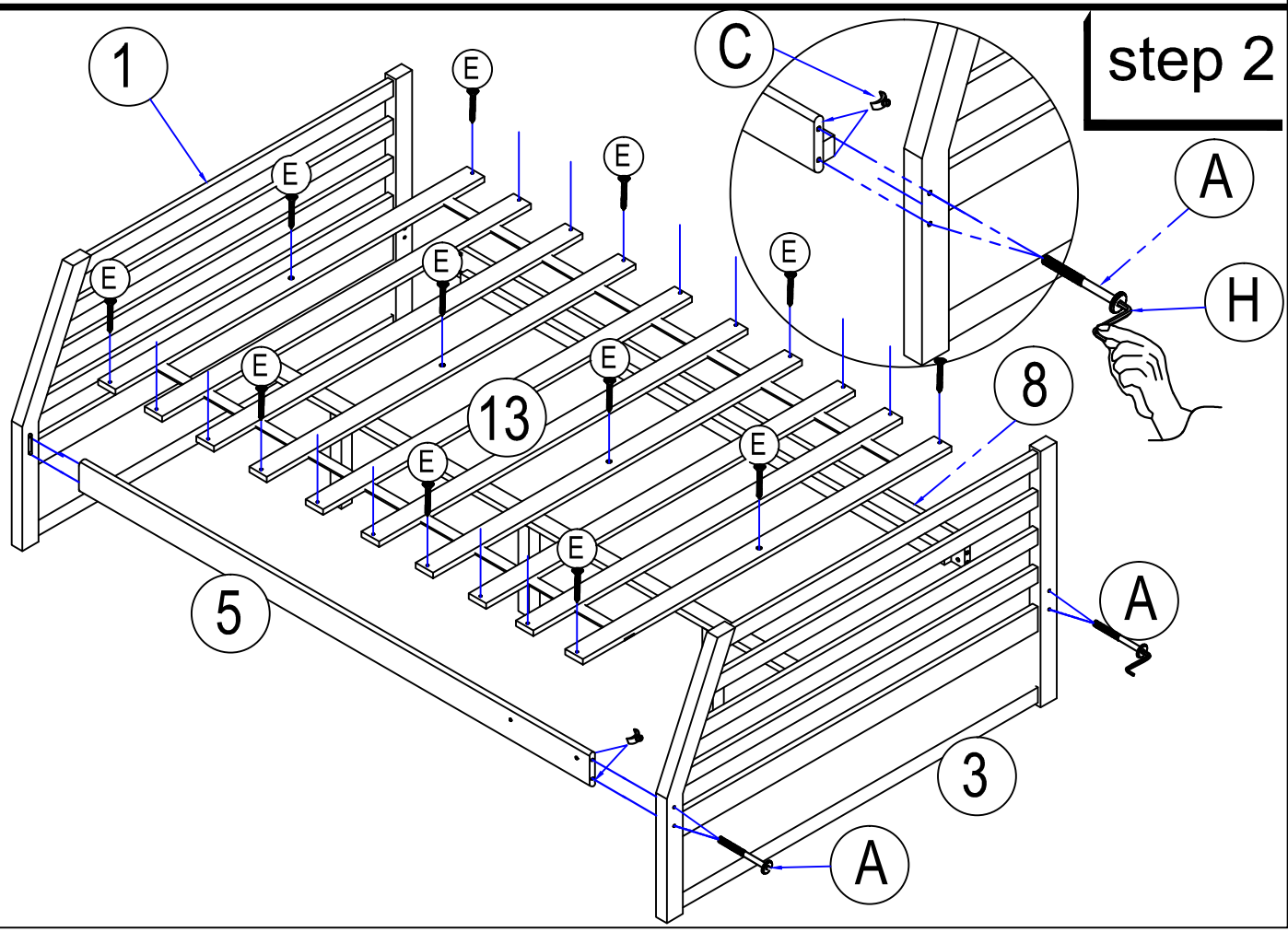
J x 8 pcs

BOLT Ø6.3 x 50 (F15)

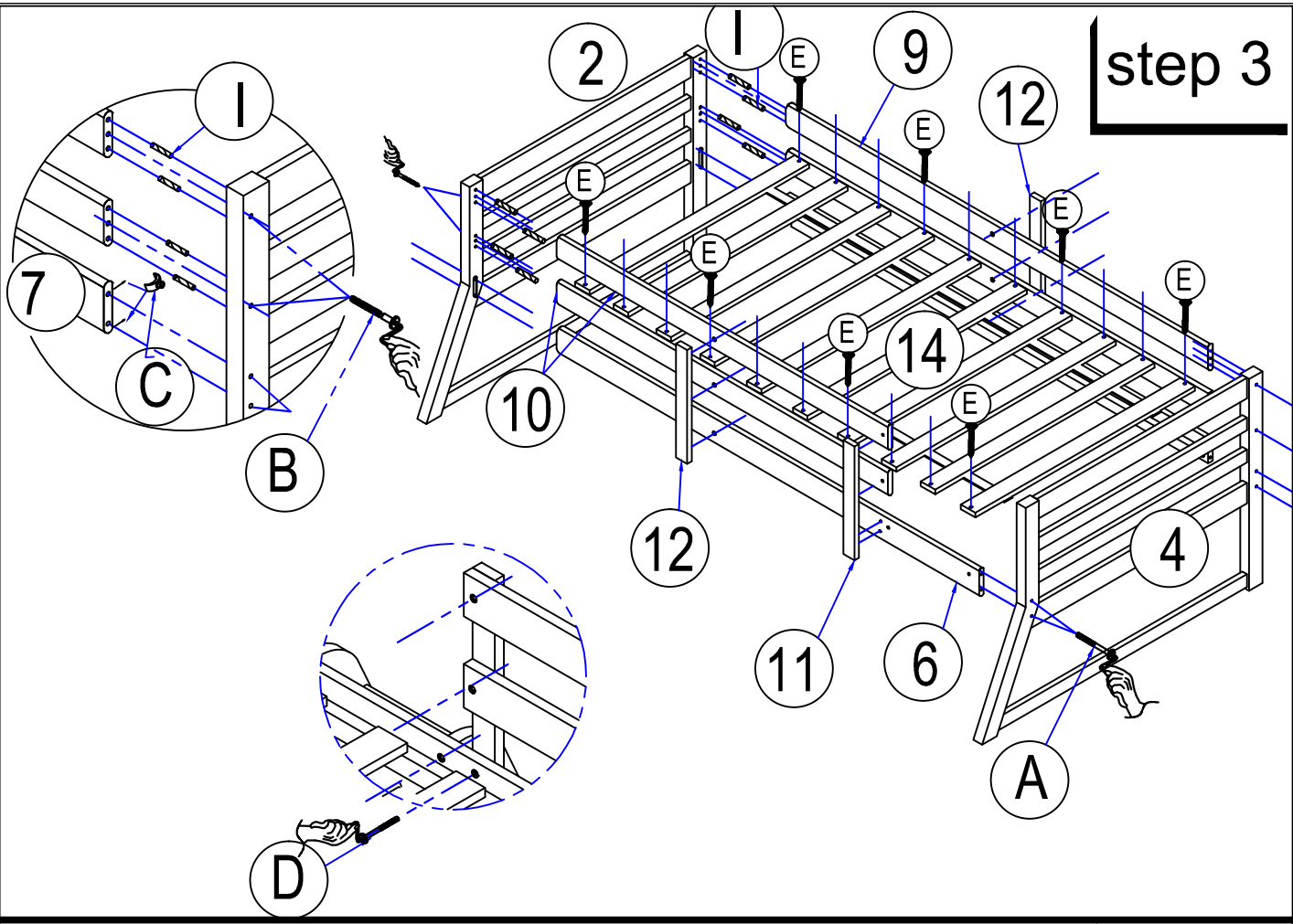
step 1



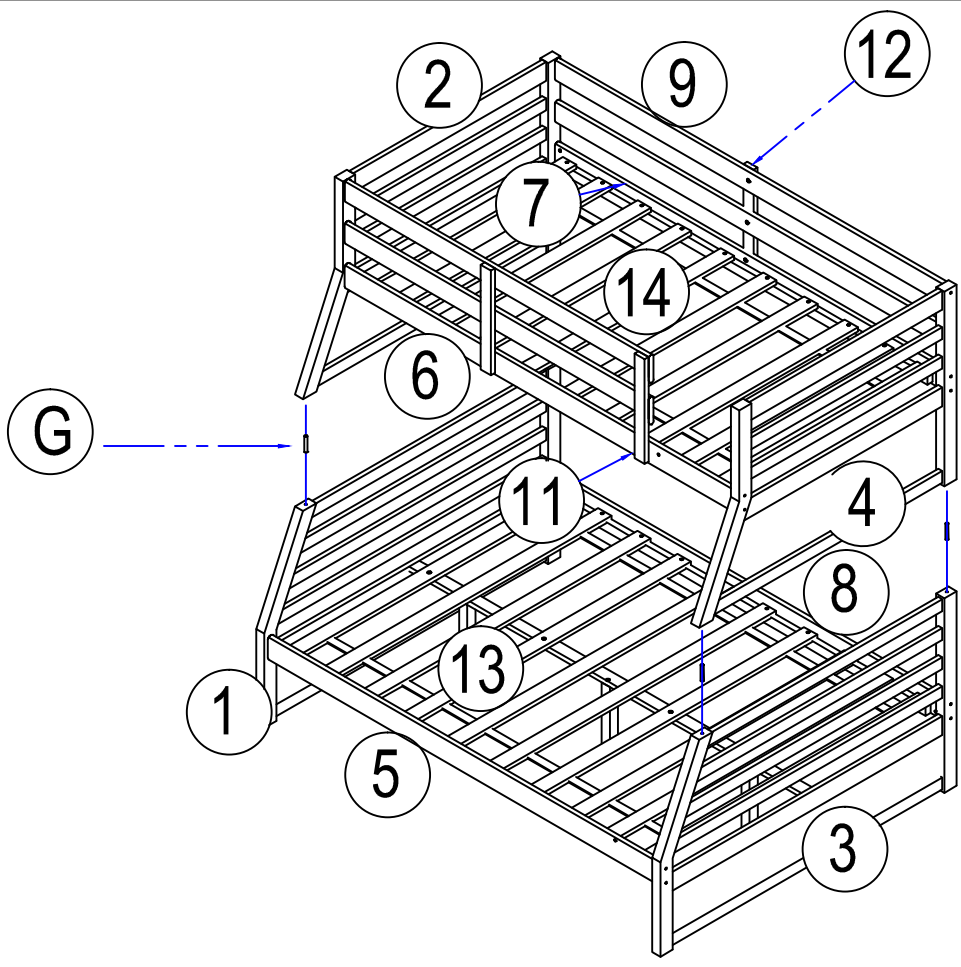
step 2



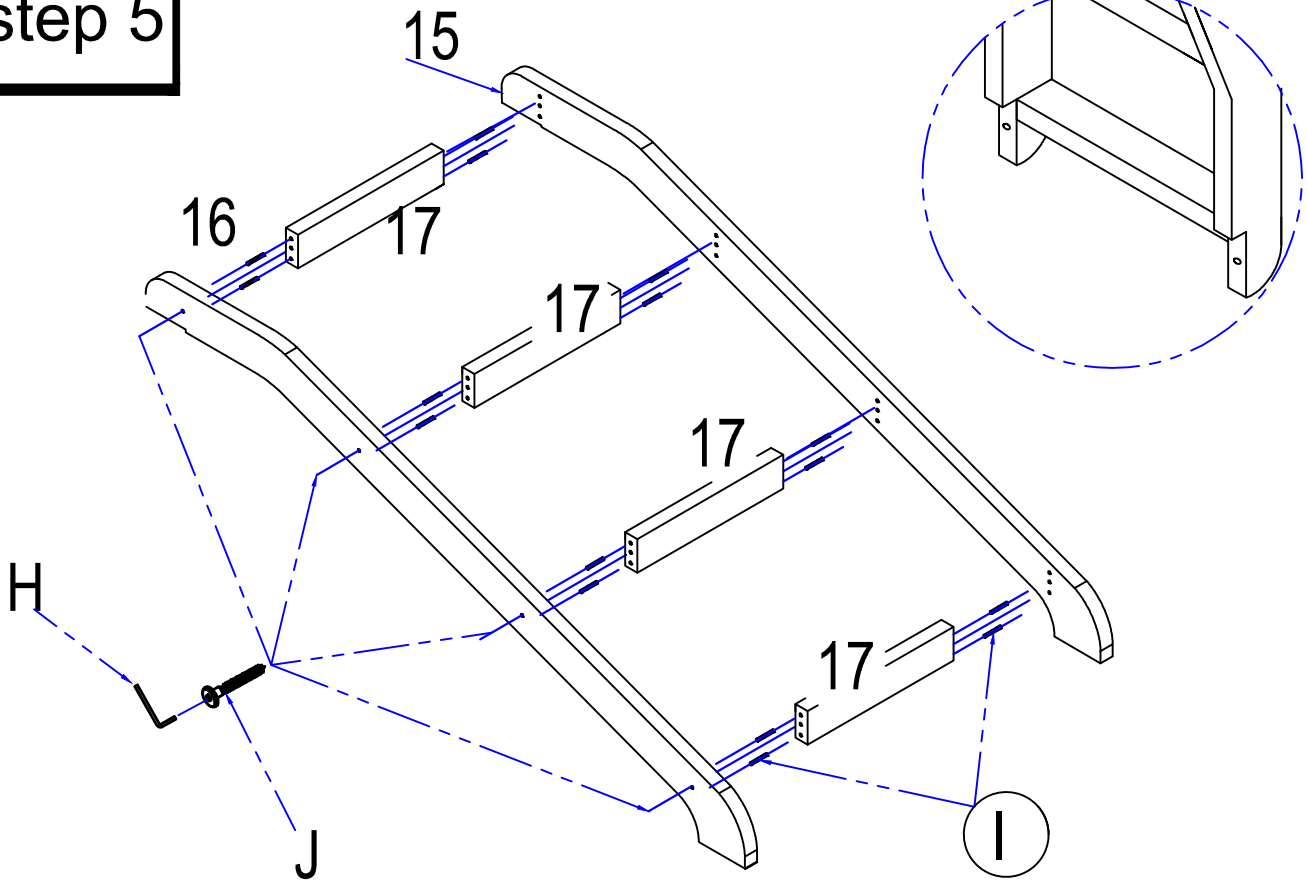
step 3



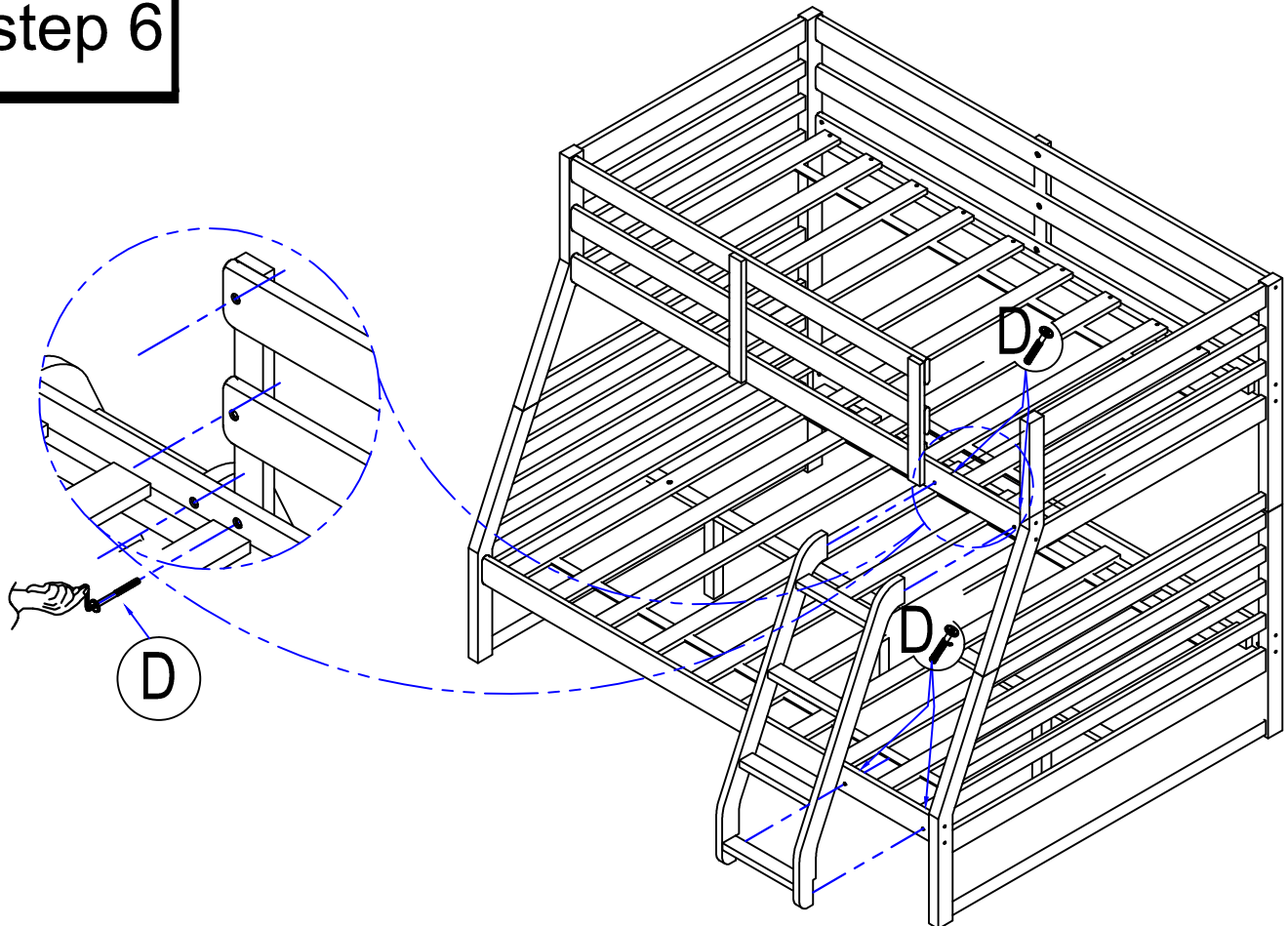
step 4



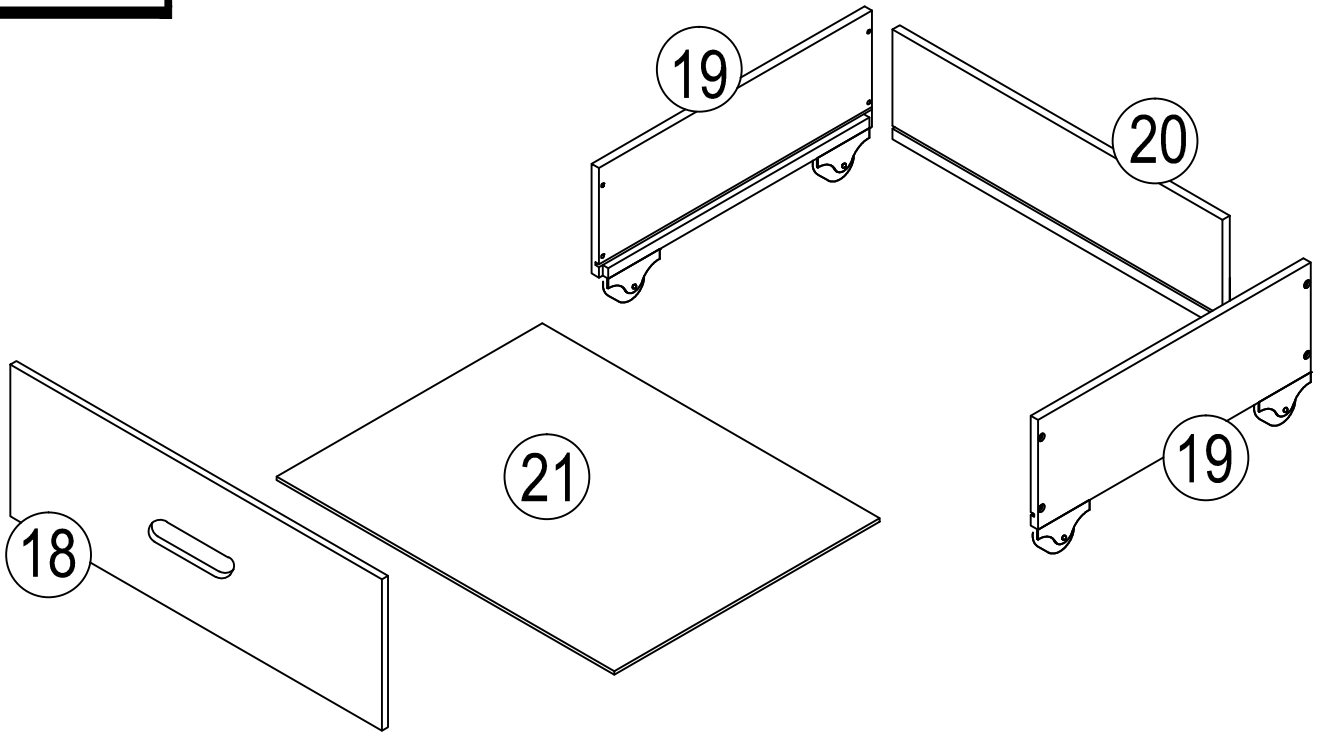
step 5



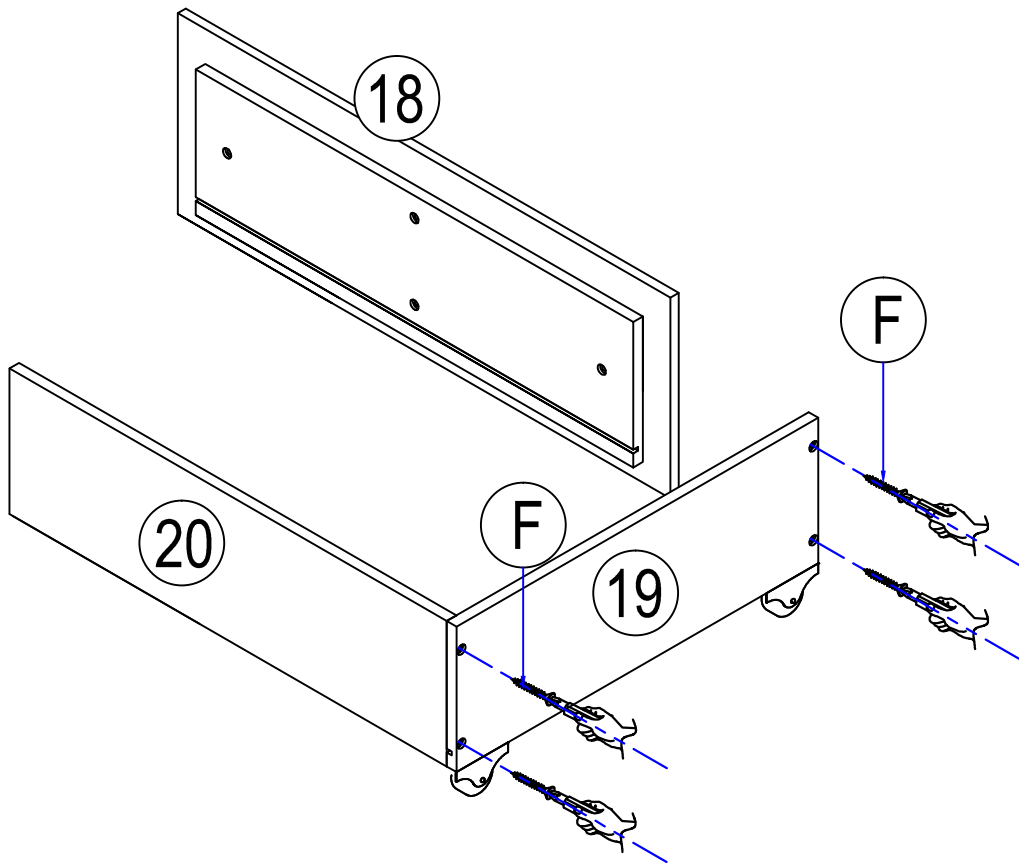
step 6



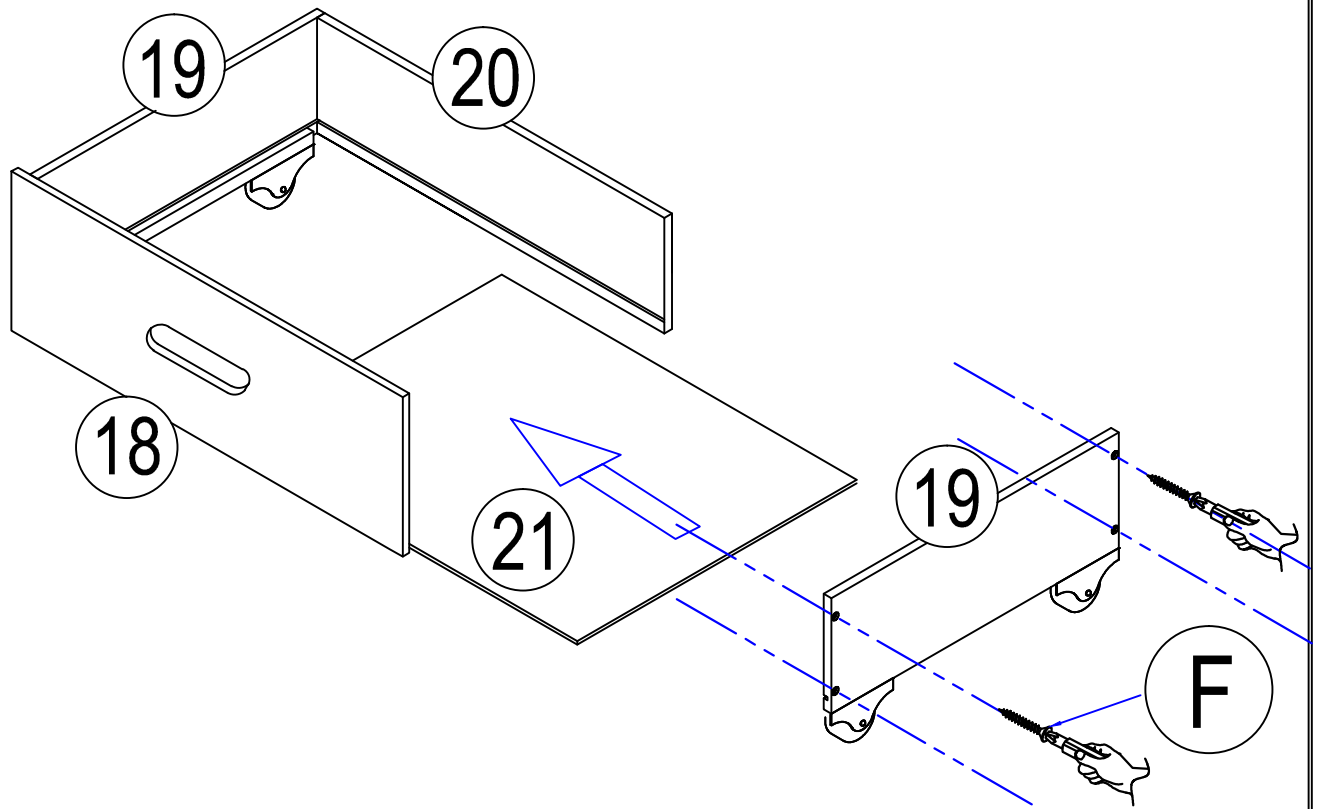
# step 7



# step 8



step 9



step 10

