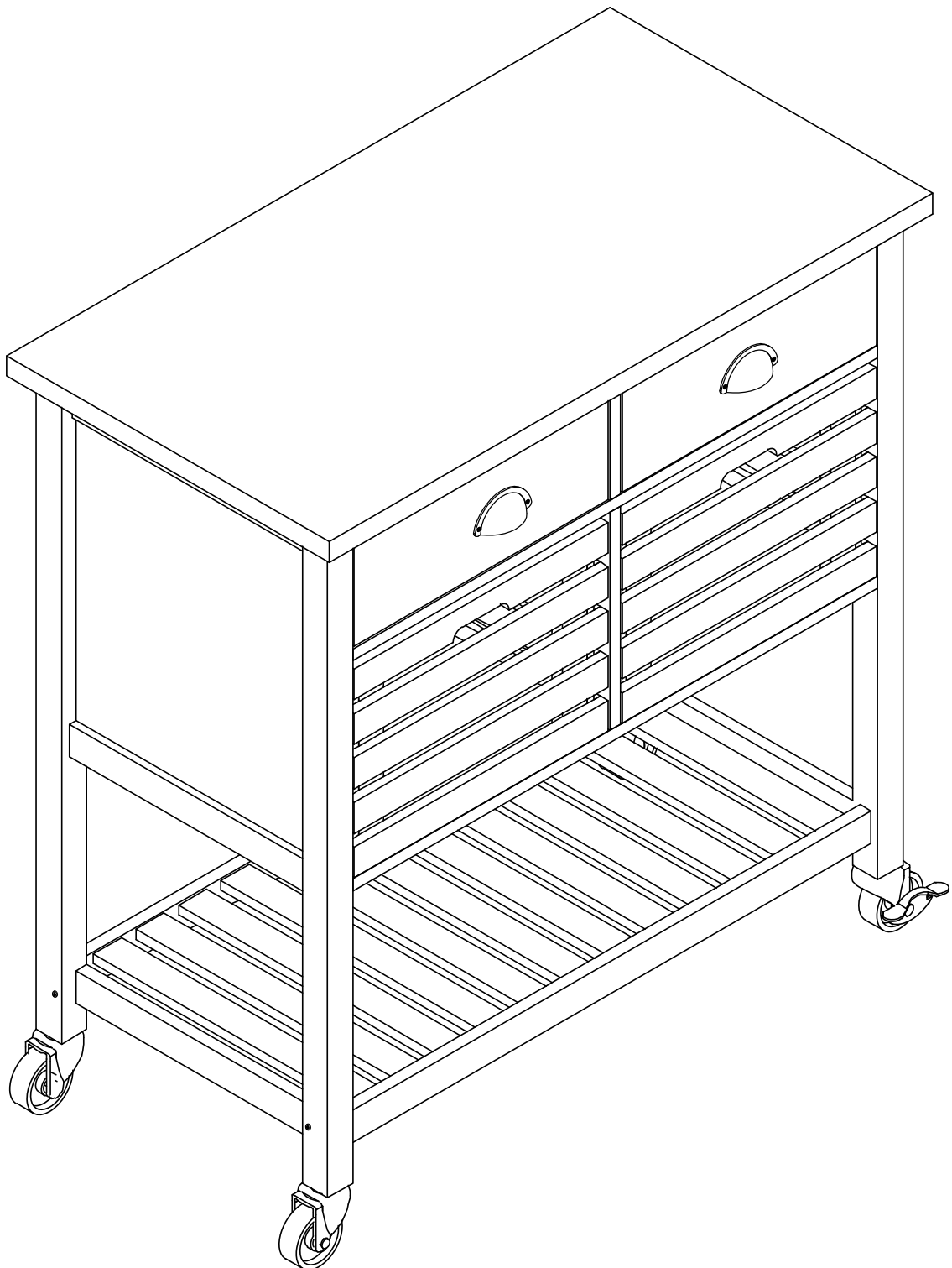
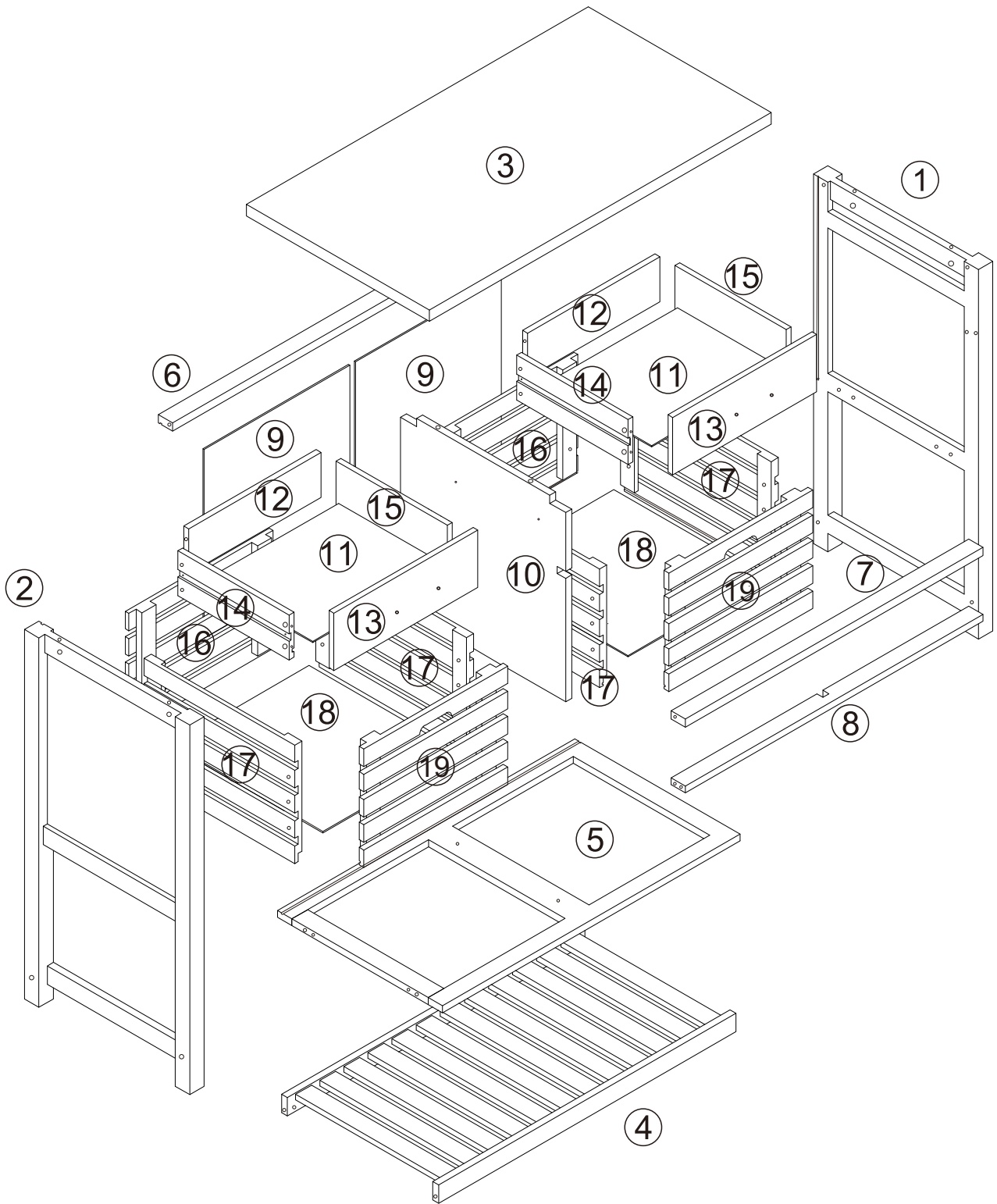


2406560

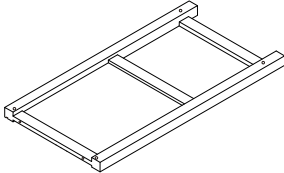
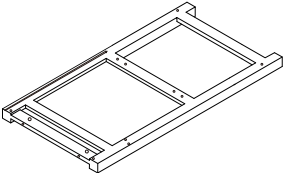
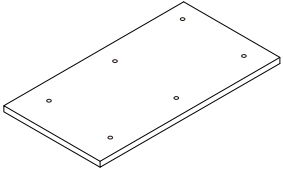
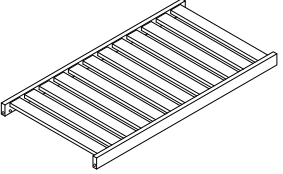
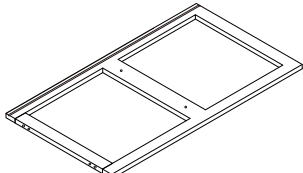
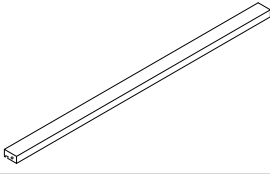
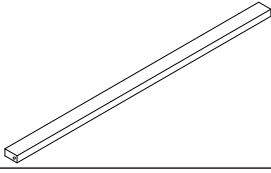
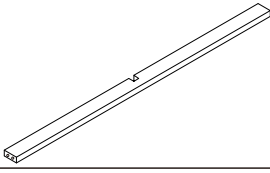
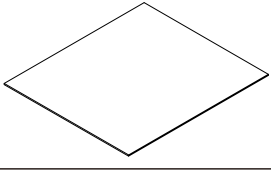
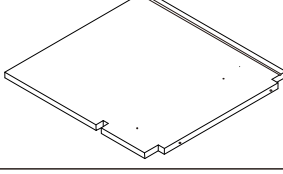
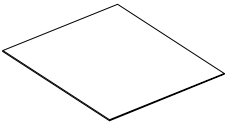
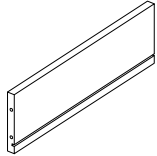
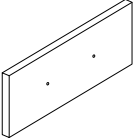
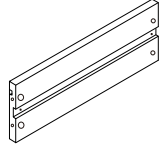
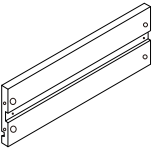
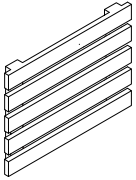
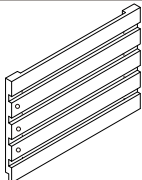
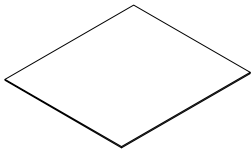
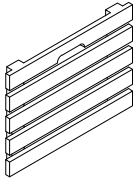
ASSEMBLY INSTRUCTIONS

<<Before assembling, read all the instructions>>

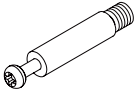
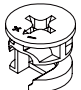
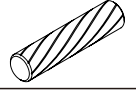
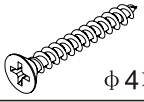
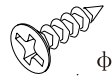
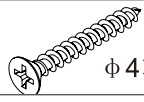




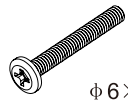
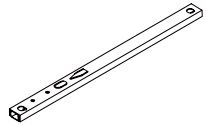
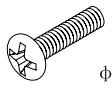
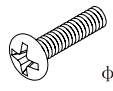
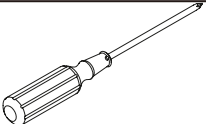




Parts List

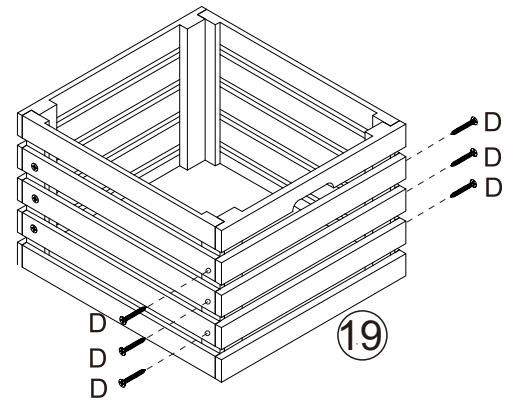
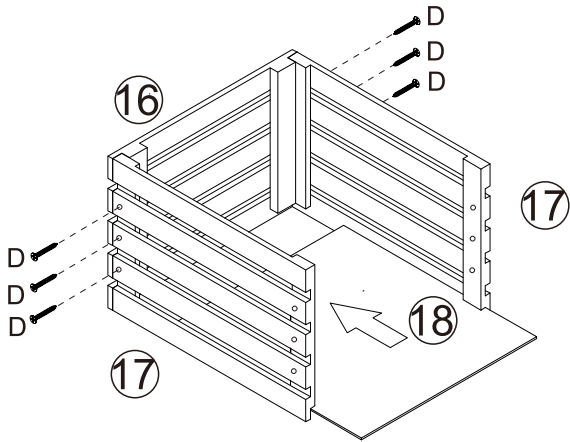
ITEM	PART	QTY	ITEM	PART	QTY
①		1PC	②		1PC
③		1PC	④		1PC
⑤		1PC	⑥		1PC
⑦		1PC	⑧		1PC
⑨		2PCS	⑩		1PC
⑪		2PCS	⑫		2PCS
⑬		2PCS	⑭		2PCS
⑮		2PCS	⑯		2PCS
⑰		4PCS	⑱		2PCS
⑲		2PCS			

Hardware List


ITEM	PART	QTY	ITEM	PART	QTY
A		18PCS	B		18PCS
C		10PCS	D	 $\phi 4 \times 35\text{mm}$	32PCS
E	 $\phi 3 \times 12\text{mm}$	8PCS	F	 $\phi 4 \times 35\text{mm}$	4PCS
G		8PCS	H		2PCS
I		2PCS	j		2PCS
K	 $\phi 6 \times 60\text{mm}$	8PCS	L		4PCS
N	 $\phi 4 \times 10\text{mm}$	4PCS	M	 $\phi 4 \times 18\text{mm}$	4PCS
ADDITIONAL TOOLS (NOT INCLUDED)					

STEP 1

×2

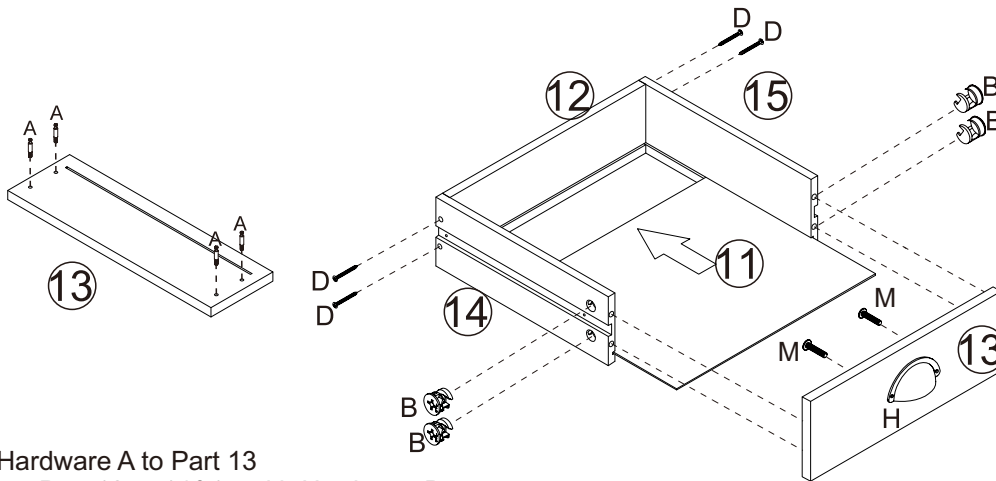


Connect Part 16/17 with Hardware D
 Slide Part 18 into the Slots of 17
 Connect Part 19/17 with Hardware D







	24pcs
D	

STEP 2

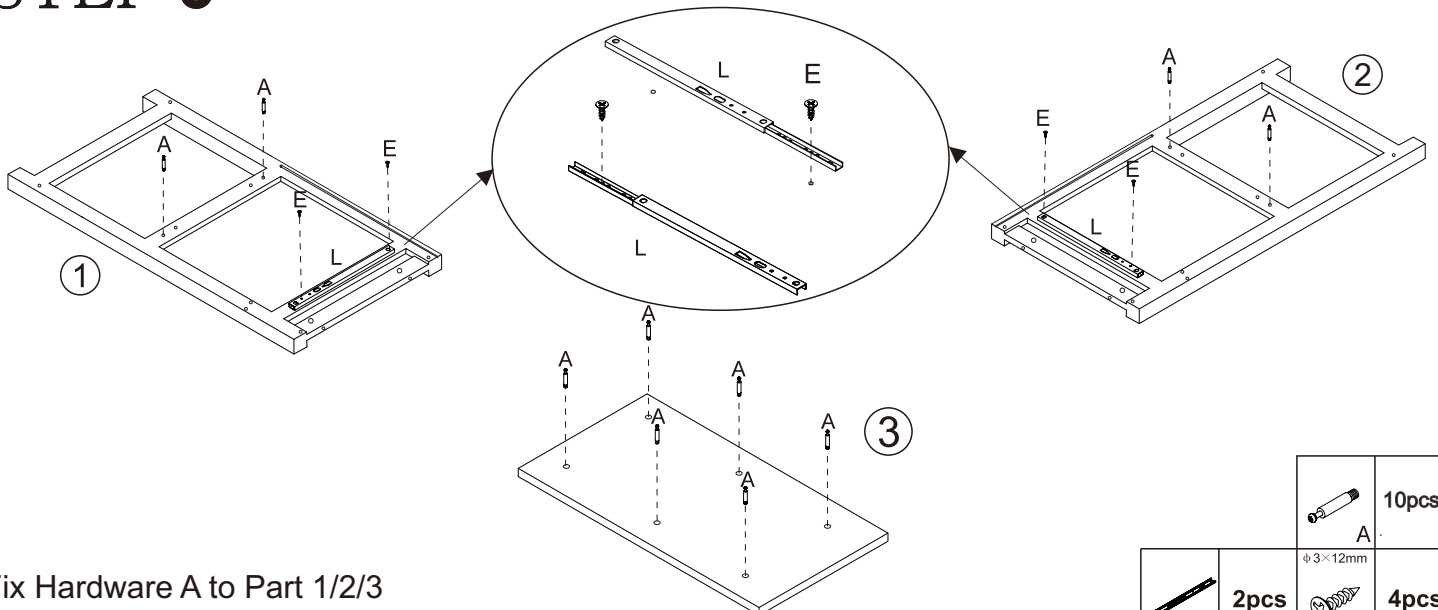
×2






Lock Hardware A to Part 13
 Connect Part 12 to 14&15 with Hardware D
 Slide Part 11 into the Slots of 14&15
 Install Hardware H on Part 13 with Hardware M
 Connect Part 13 to 14&15 with Hardware B

	8pcs		8pcs
	4pcs		8pcs
	2pcs		8pcs

STEP 3

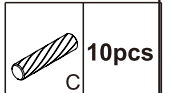
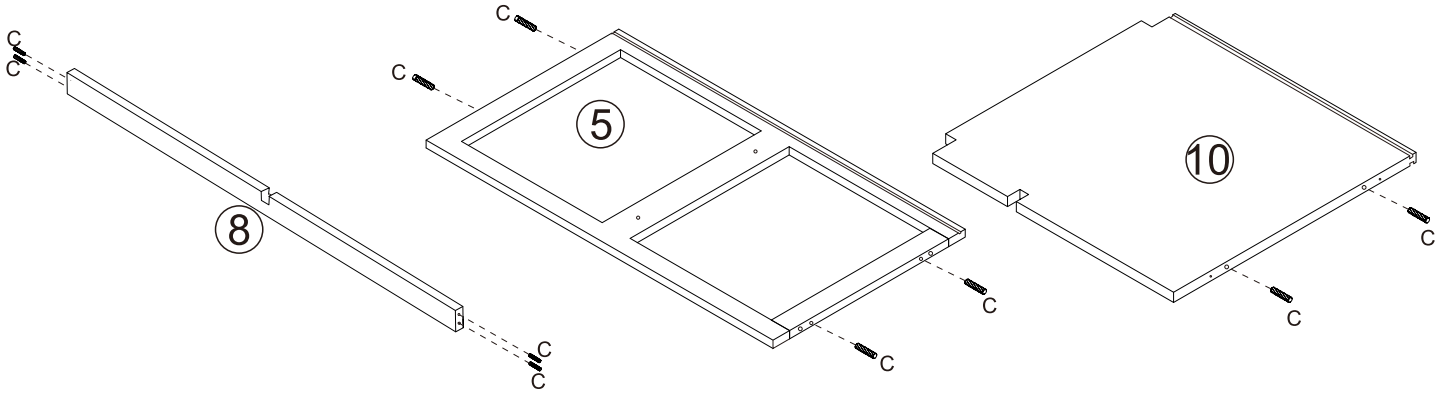


Fix Hardware A to Part 1/2/3
 Fix Hardware L to Part 1&2 with Hardware E

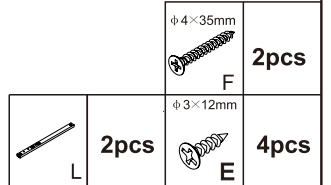
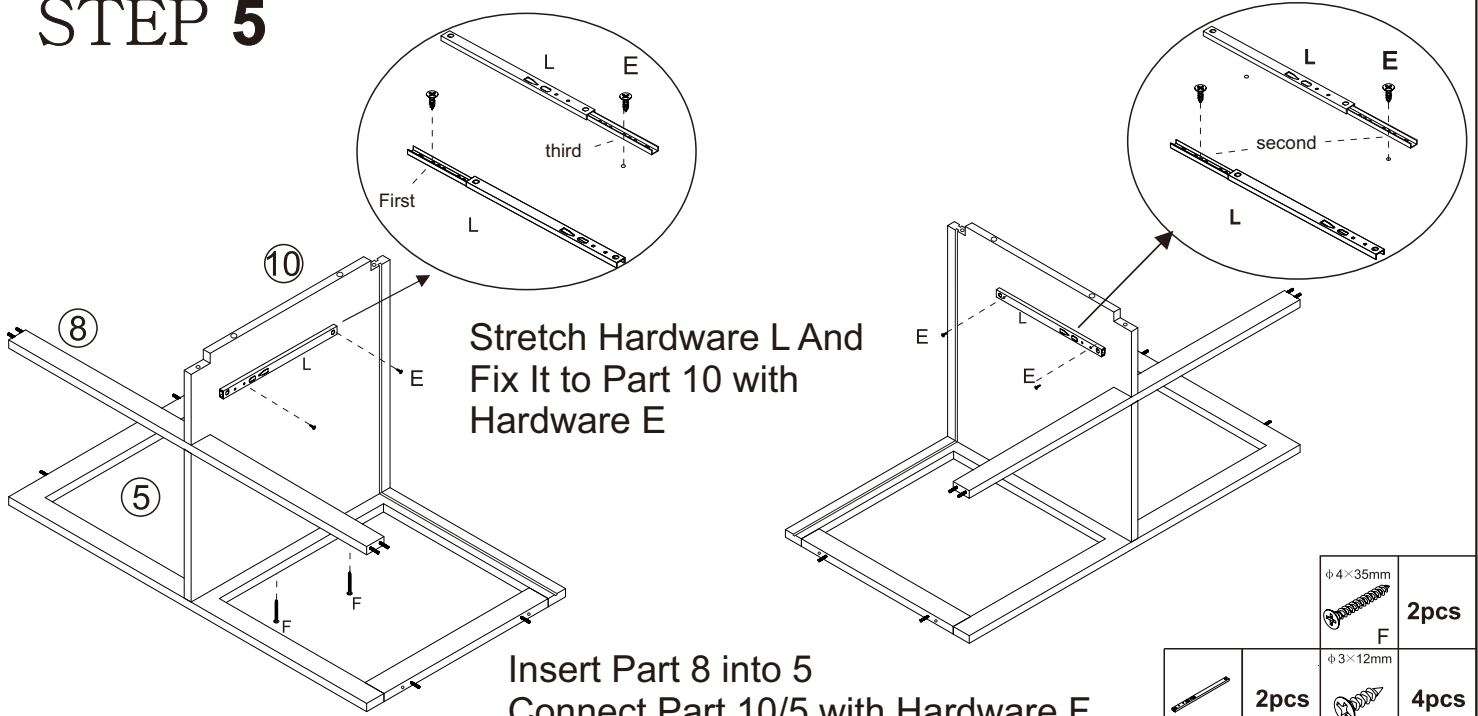
	10pcs		4pcs
	2pcs		

STEP 4

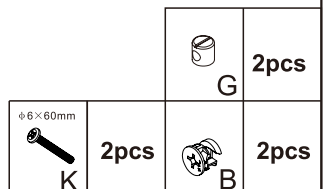
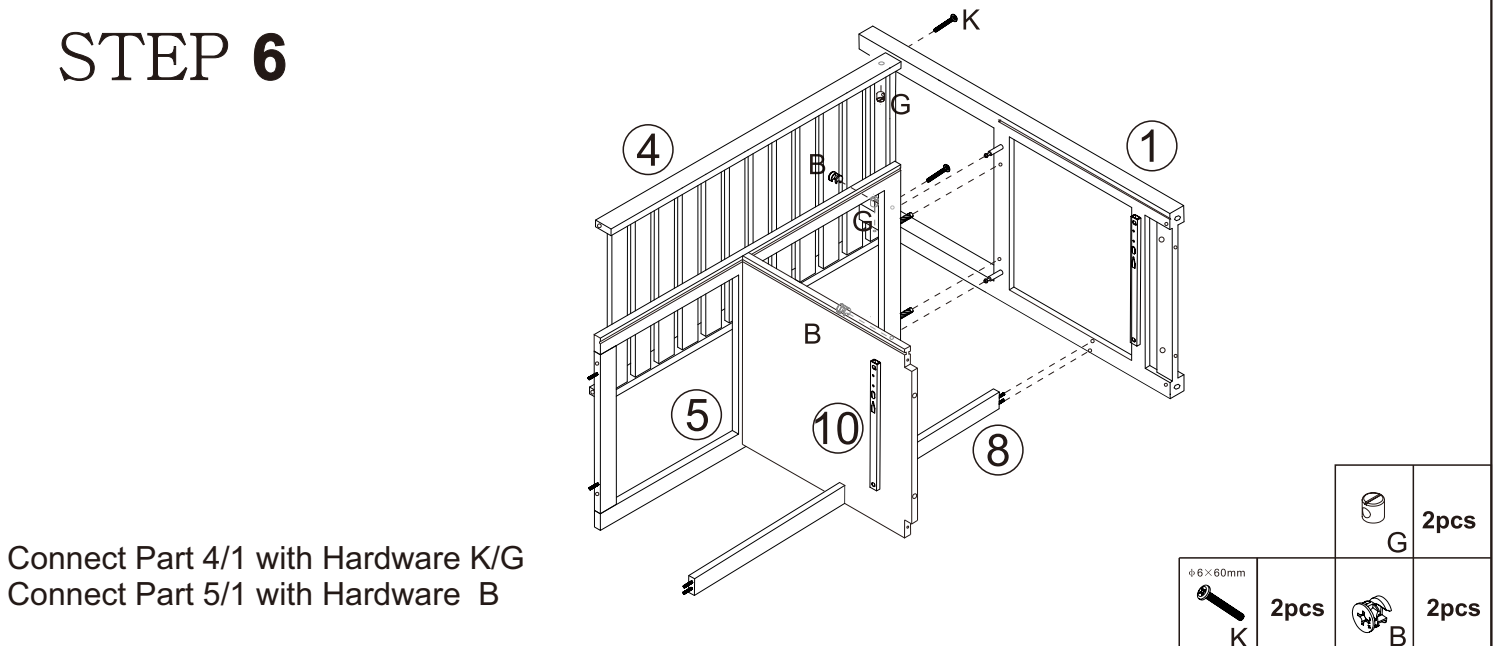
Insert Hardware C into Part 8/5/10



STEP 5

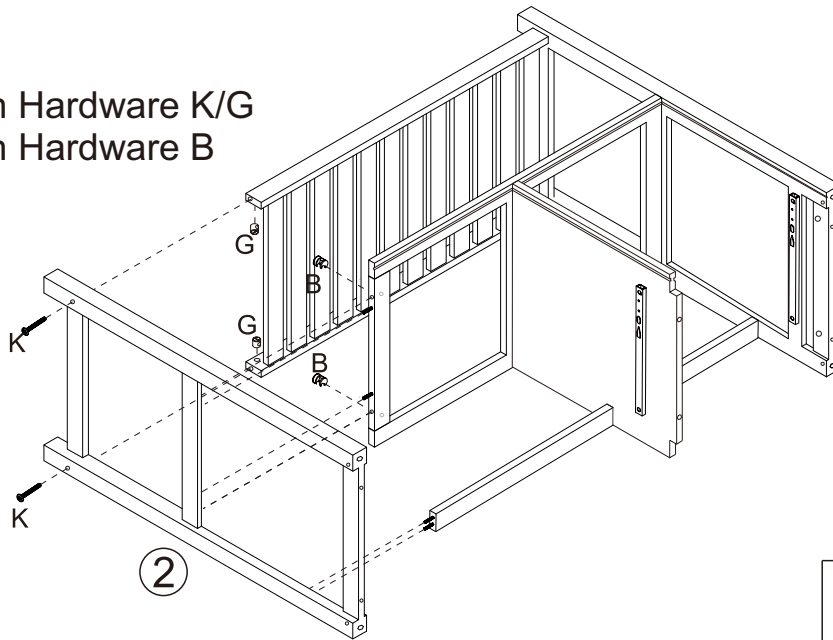





STEP 6



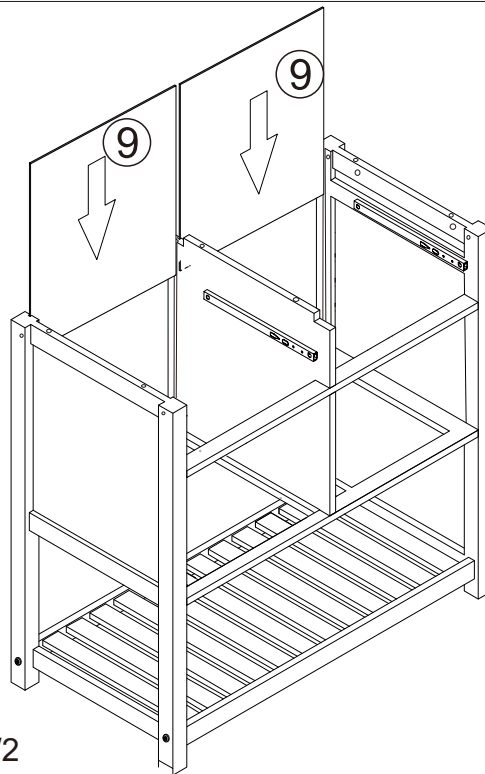
STEP 7

Connect Part 2/4 with Hardware K/G
 Connect Part 2/5 with Hardware B
 Connect Part 2/8



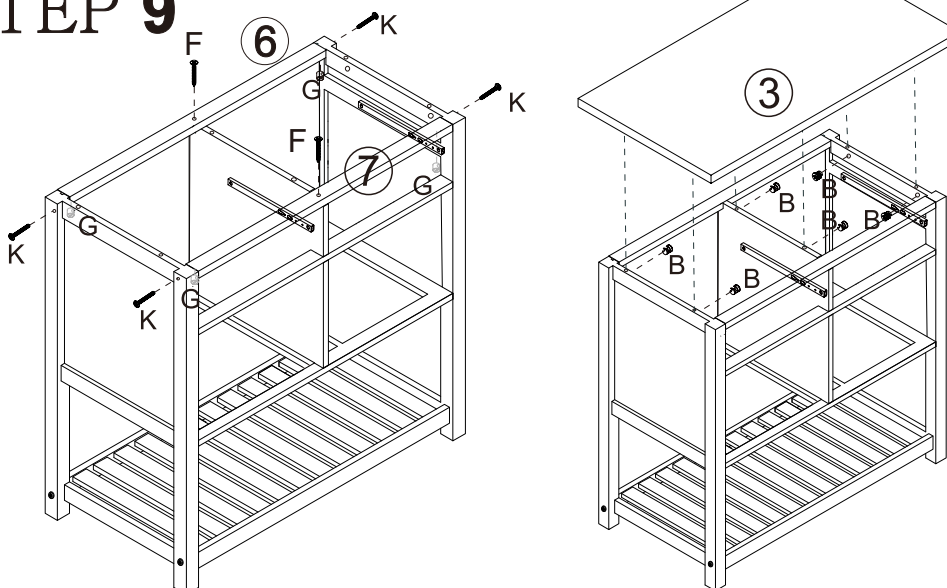
	2pcs
	2pcs
	2pcs

STEP 8







Insert Part 9 into the Slots of 1/10/2

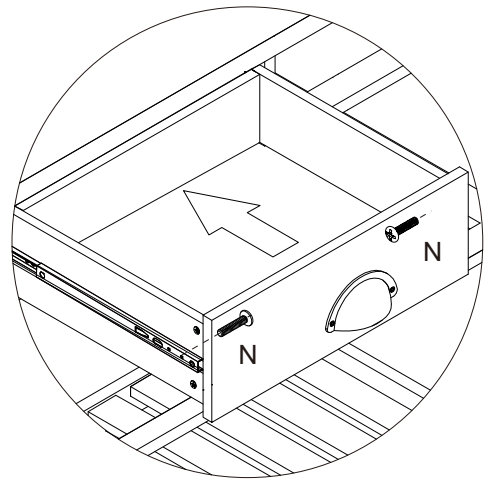
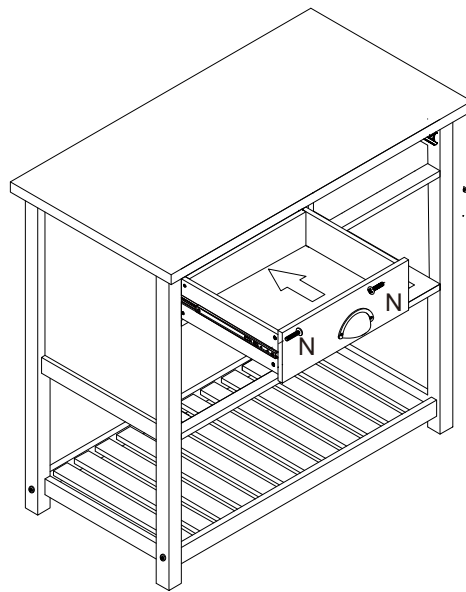
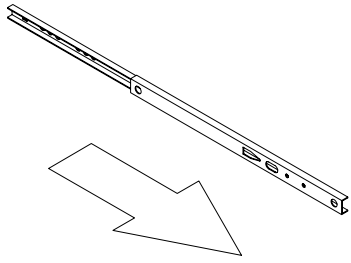
STEP 9



Fix Part 6&7 to 1&2 with Hardware K/G
 Fix Part 6/7 to 10 with Hardware F
 Lock Part 3 to 1/2/10 with Hardware B

	2pcs		4pcs
	4pcs		6pcs

STEP 10 ×2

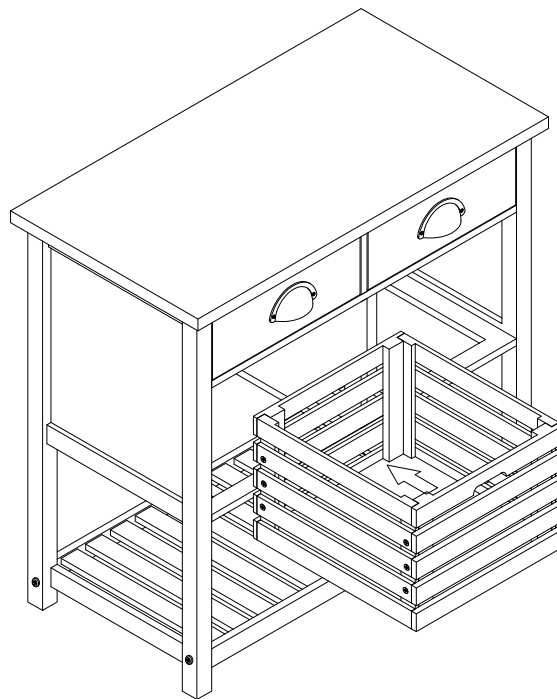


Stretch Hardware L And Fix It to the Drawer with Hardware N



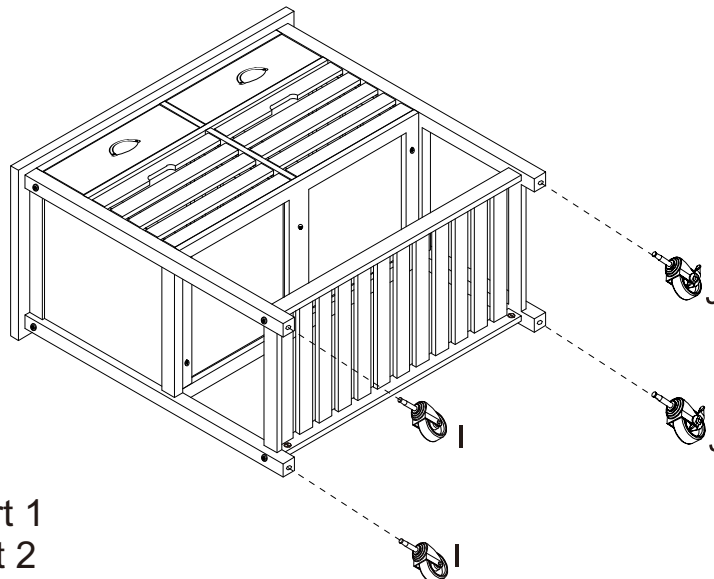
STEP 11

×2



Put the Basket into the Frame

STEP 12



Install Hardware J on Part 1
Install Hardware I on Part 2

