

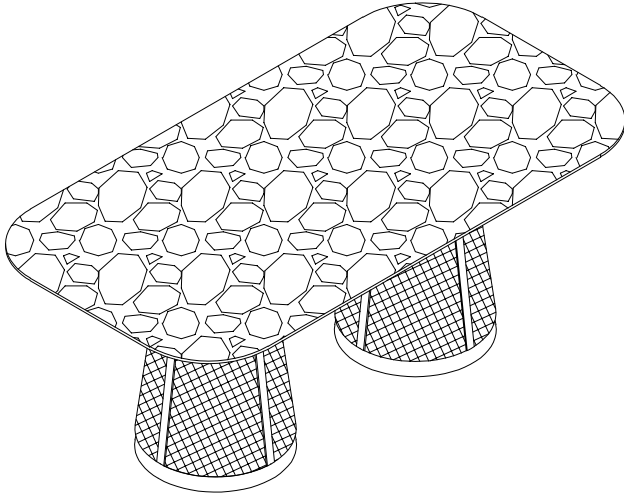
# ASSEMBLY INSTRUCTION FOR ACME FURNITURE

Model #DN02011-1-DN02011-2

## DESCRIPTION: DINING TABLE TOP/DINING TABLE BASE

Thank you for purchasing this quality product. Be sure to check all packing materials carefully for small parts, which may have come loose inside the carton during shipment. Identify and count all parts and compare with the parts list below.

**\*\* Do not fully tighten screws until fully assembled \*\***

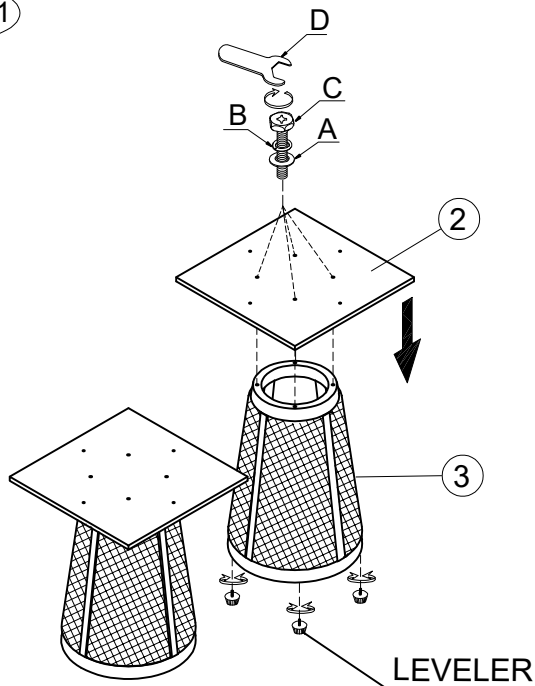


HARDWARE LIST			
NO.	Drawing	Description	Q'ty
A		Flat washer (Ø5/16"x19mm)	16pcs
B		Spring washer (Ø5/16")	16pcs
C		Bolt (Φ5/16"x3")	16pcs
D		Ø5/16" Wrench(12mm)	1pc

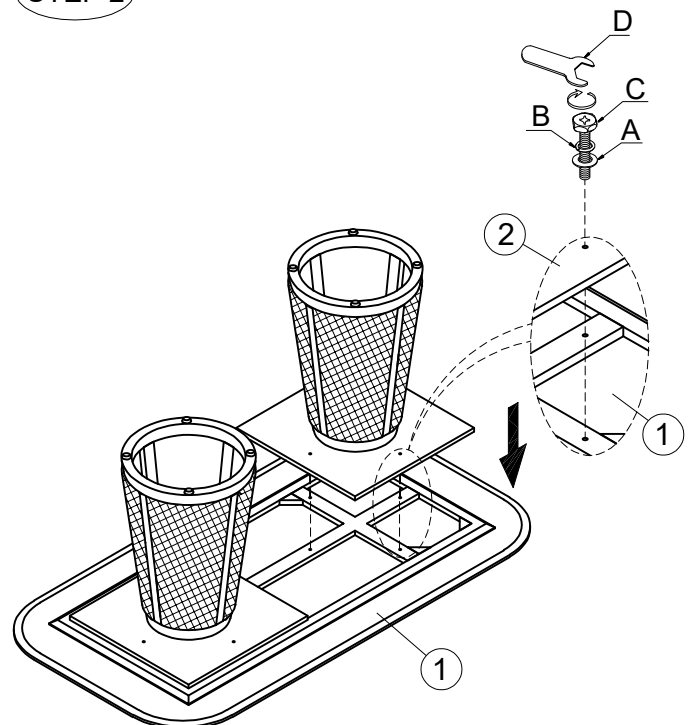
### PARTS LIST:

TABLE TOP:1PC	MOUNTING PLATE A:2PCS	TABLE BASE:2PCS

#### STEP 1



#### STEP 2



### CLEANING INSTRUCTION

Clean the surface of the Dining Table Top/Dining Table Base with furniture polish and a soft cloth.

Attention

\*\*\* Some number parts listed on the instruction sheet may not be in parts bag as they may be assembled. Carefully check parts and packing materials prior to ordering replacements.\*\*\*