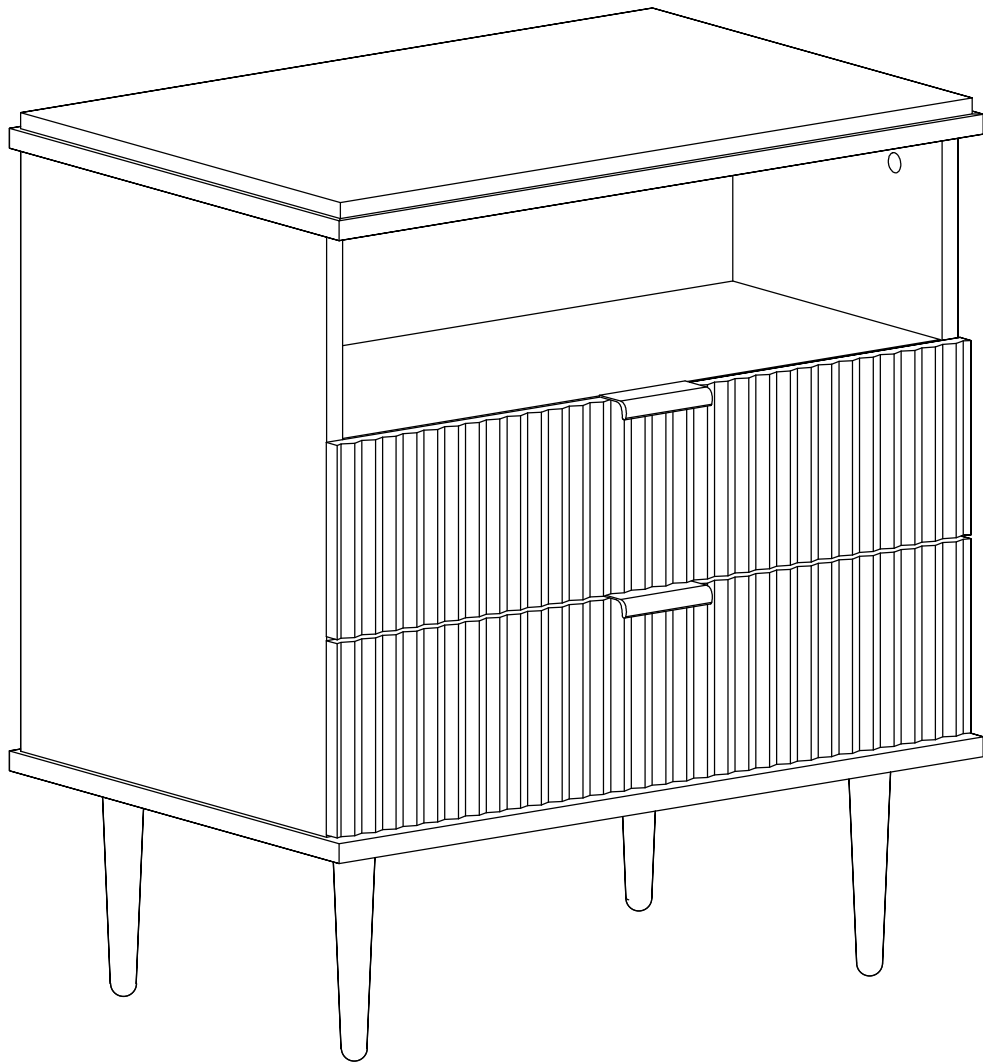
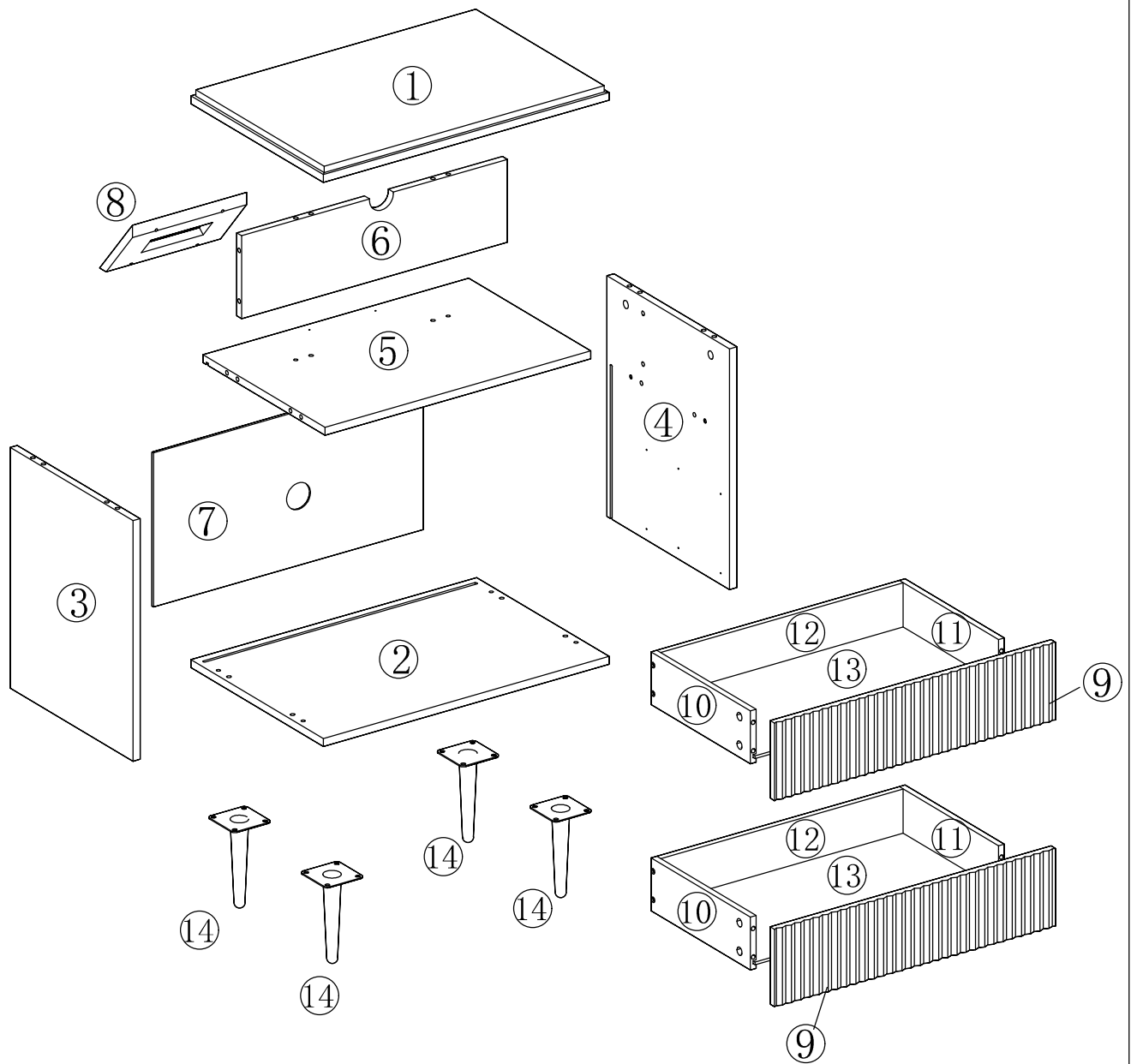
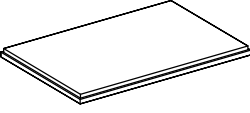
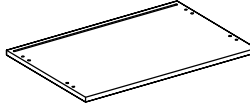
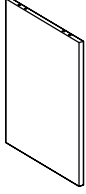

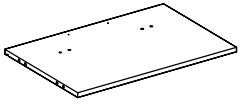
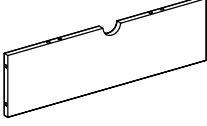
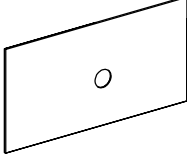
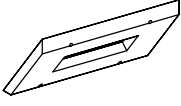
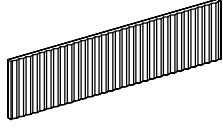
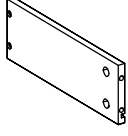
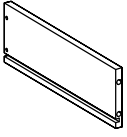


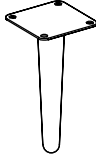


Assembly Instruction

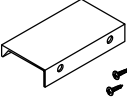
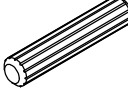
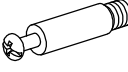
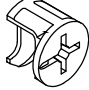
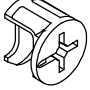
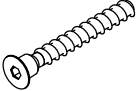




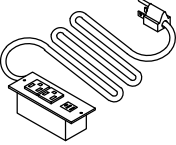
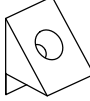
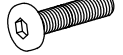
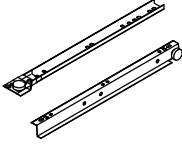
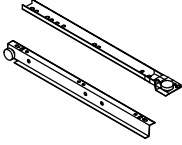
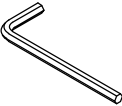




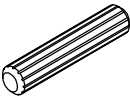
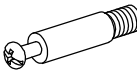


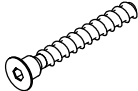

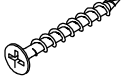

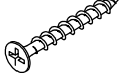
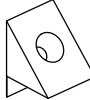
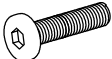
HARDWARE LIST

<p>①</p>  <p>1PC</p>	<p>②</p>  <p>1PC</p>	<p>③</p>  <p>1PC</p>	<p>④</p>  <p>1PC</p>	<p>⑤</p>  <p>1PC</p>
<p>⑥</p>  <p>1PC</p>	<p>⑦</p>  <p>1PC</p>	<p>⑧</p>  <p>1PC</p>	<p>⑨</p>  <p>2PC</p>	<p>⑩</p>  <p>2PC</p>
<p>⑪</p>  <p>2PC</p>	<p>⑫</p>  <p>2PC</p>	<p>⑬</p>  <p>2PC</p>	<p>⑭</p>  <p>4PC</p>	

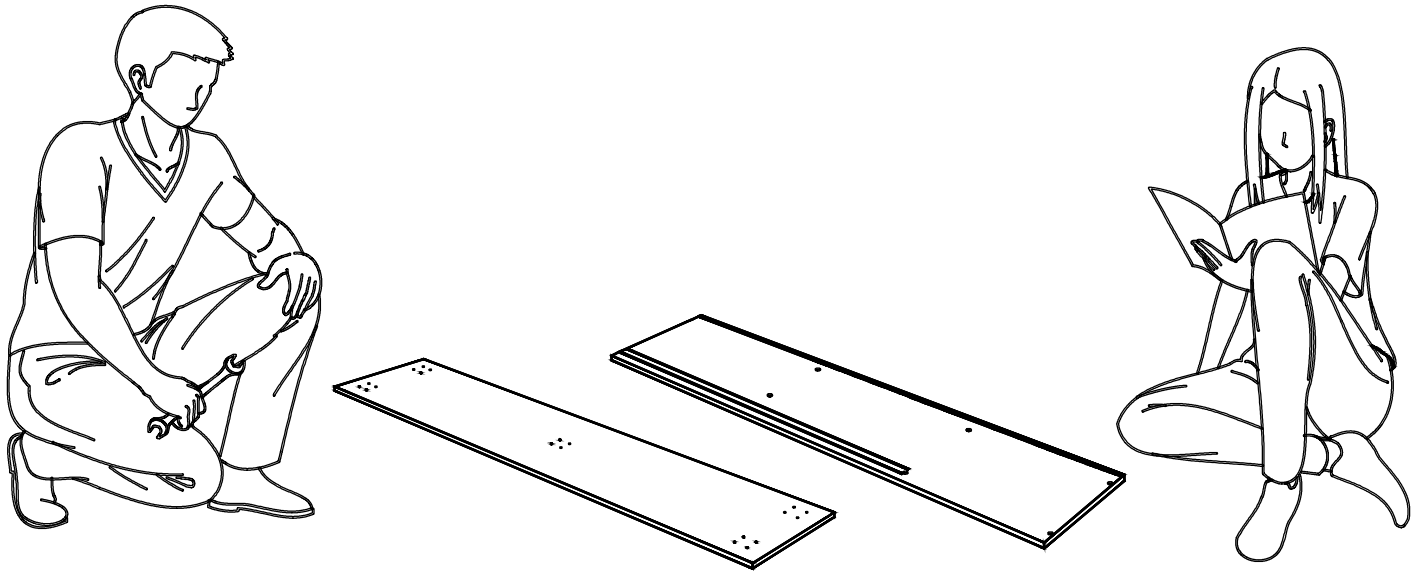
HARDWARE LIST

<p>A</p>  <p>3x12mm 2PCS</p>	<p>B</p>  <p>8x30mm 20PCS</p>	<p>C</p>  <p>6x40mm 18PCS</p>	<p>D</p>  <p>Ø15*11mm 10PCS</p>	<p>E</p>  <p>Ø15*9.5mm 8PCS</p>
<p>F</p>  <p>M6x50mm 6PCS</p>	<p>G</p>  <p>Ø3x14mm 10PCS</p>	<p>H</p>  <p>#8*3/4"mm 4PCS</p>	<p>I</p>  <p>Ø3x10mm 24PCS</p>	<p>J</p>  <p>#8*1-1/4"mm 8PCS</p>
<p>K</p>  <p>1PCS</p>	<p>L</p>  <p>8PCS</p>	<p>M</p>  <p>M6x10mm 16PCS</p>	<p>N</p>  <p>2PCS</p>	<p>O</p>  <p>2PCS</p>
<p>P</p>  <p>1PCS</p>				

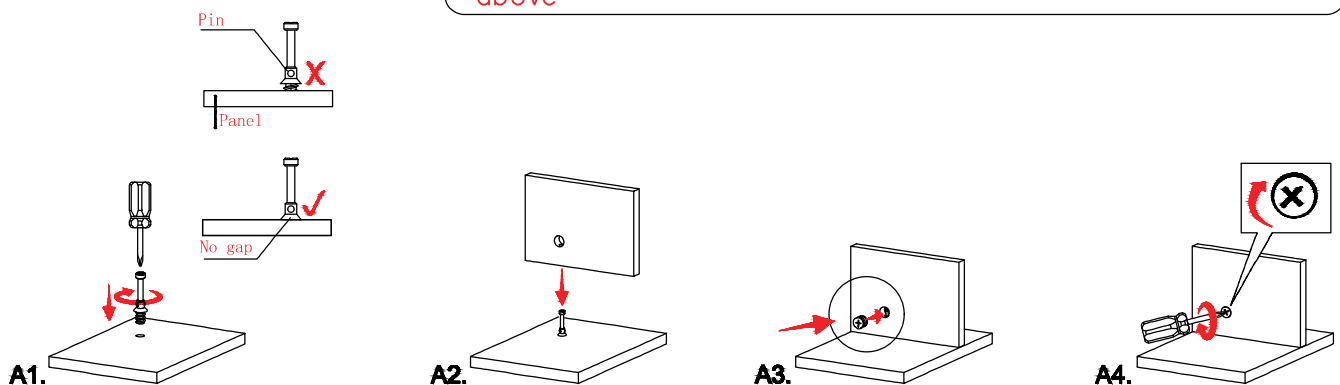
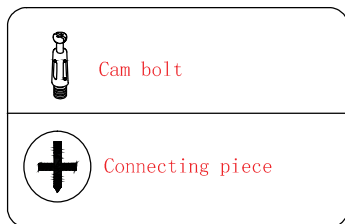
HARDWARE SPARE LIST

<p>B</p>  <p>8x30mm 2PCS</p>	<p>C</p>  <p>6x40mm 1PCS</p>	<p>D</p>  <p>Ø15*11mm 1PCS</p>	<p>E</p>  <p>Ø15*9.5mm 1PCS</p>	<p>F</p>  <p>M6x50mm 1PCS</p>
<p>G</p>  <p>Ø3x14mm 1PCS</p>	<p>H</p>  <p>#8*3/4"mm 1PCS</p>	<p>I</p>  <p>Ø3x10mm 2PCS</p>	<p>J</p>  <p>#8*1-1/4"mm 1PCS</p>	<p>L</p>  <p>1PCS</p>
<p>M</p>  <p>M6x10mm 1PCS</p>				

This furniture requires two people to assemble and move.
 Make sure no parts missing or damaged before assembly.






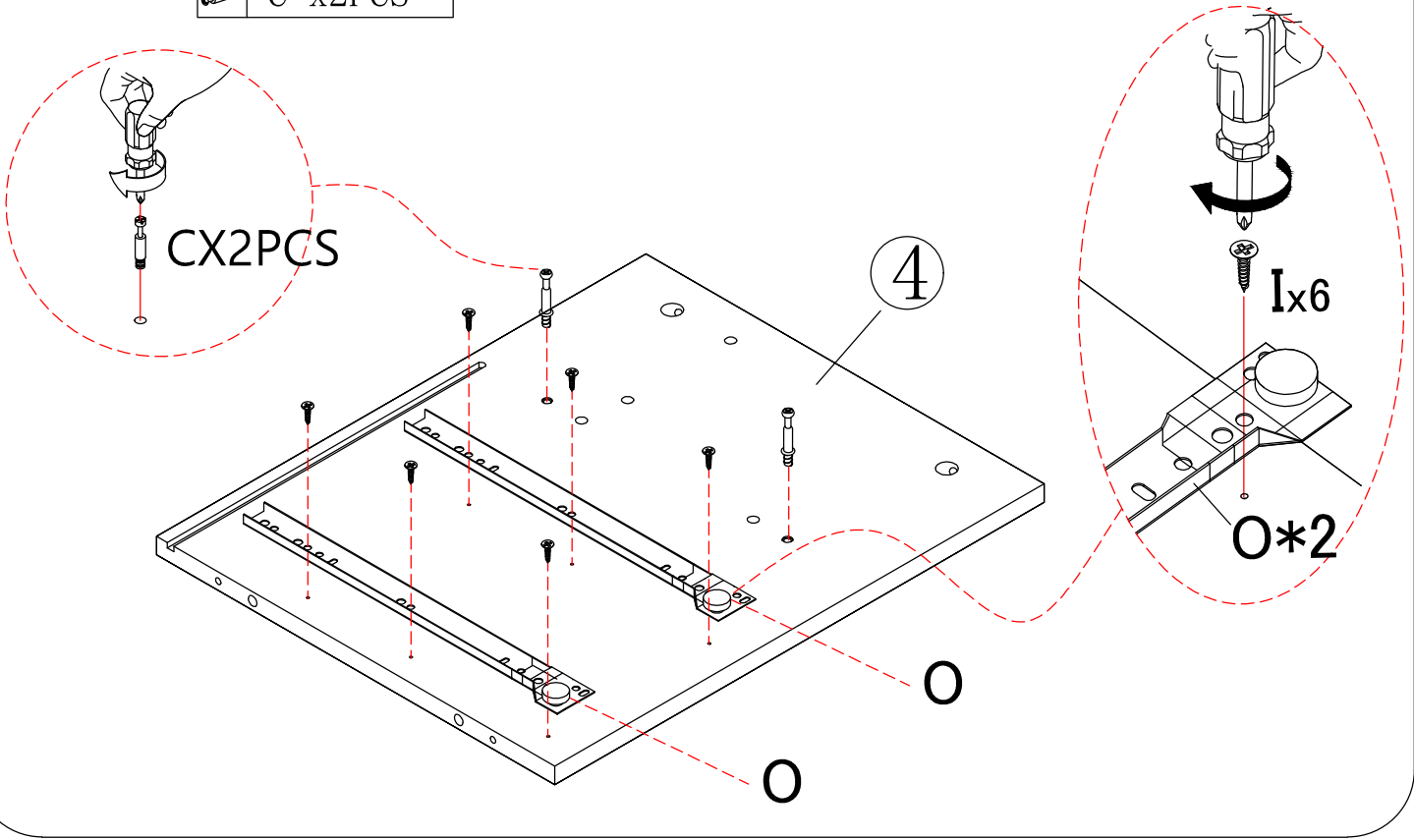
CAM BOLT INSTALLATION AS BELOW






STEPS

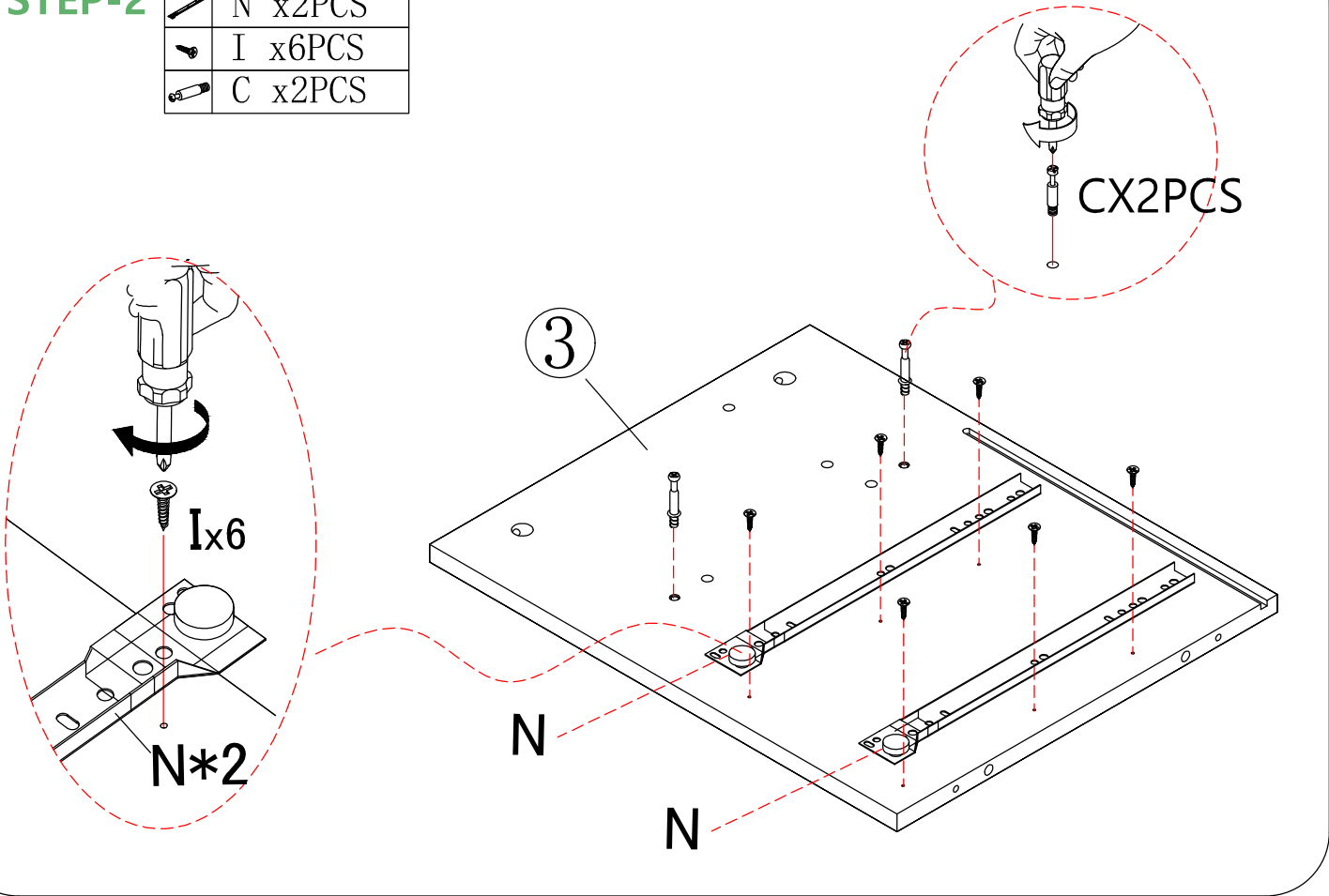
STEP-1

	O x2PCS
	I x6PCS
	C x2PCS




STEP-2

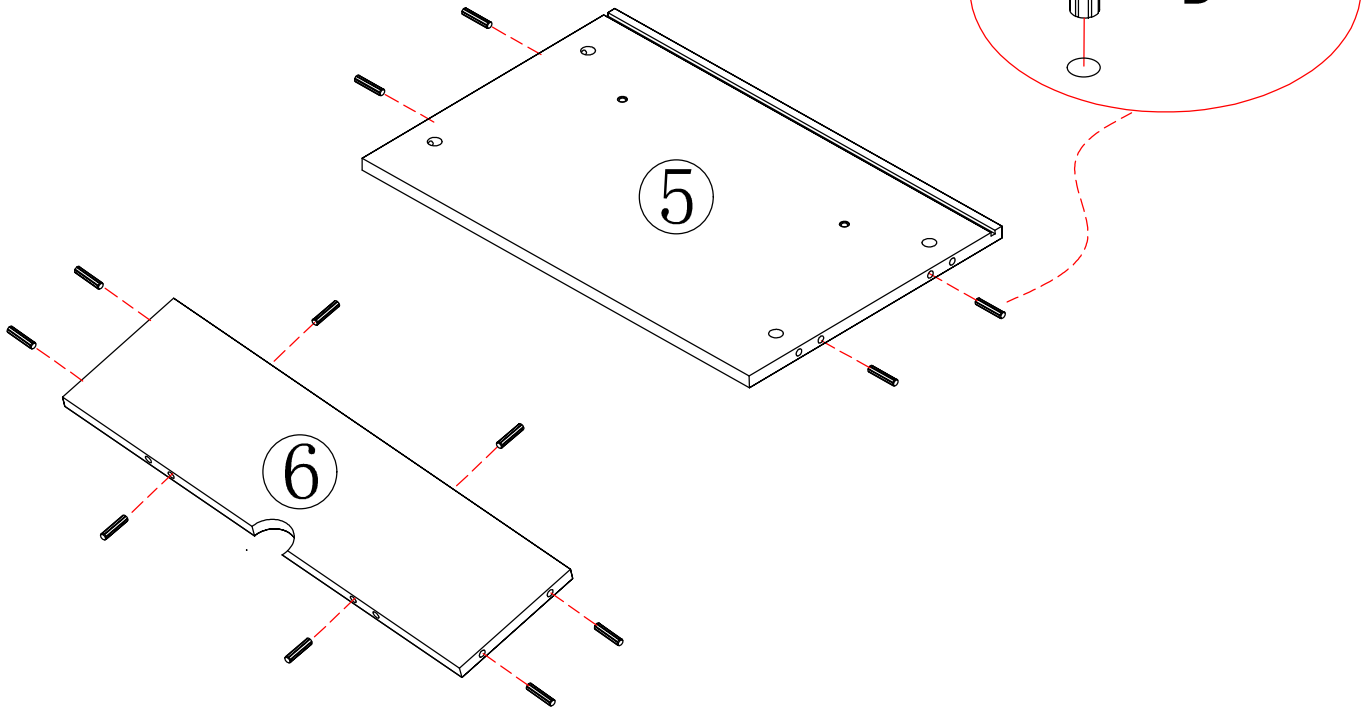
	N x2PCS
	I x6PCS
	C x2PCS





STEPS

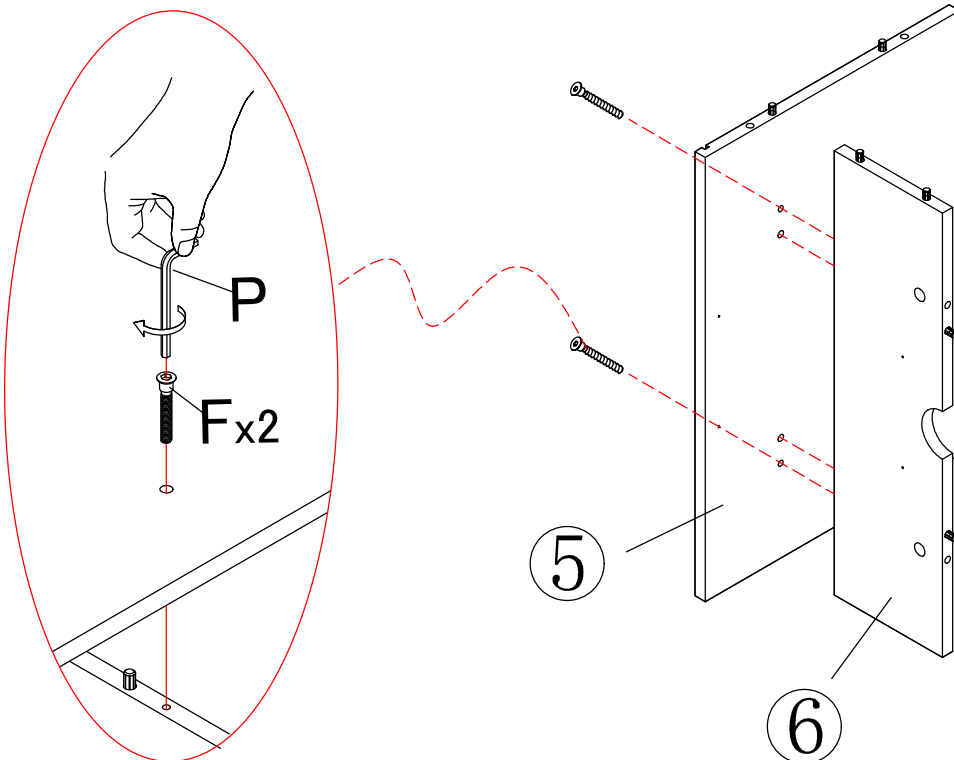
STEP-3

 B x12PCS




STEP-4

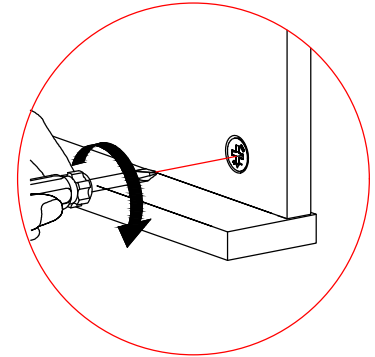
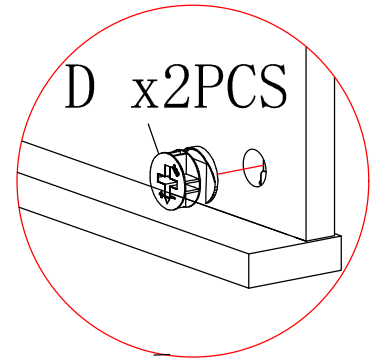
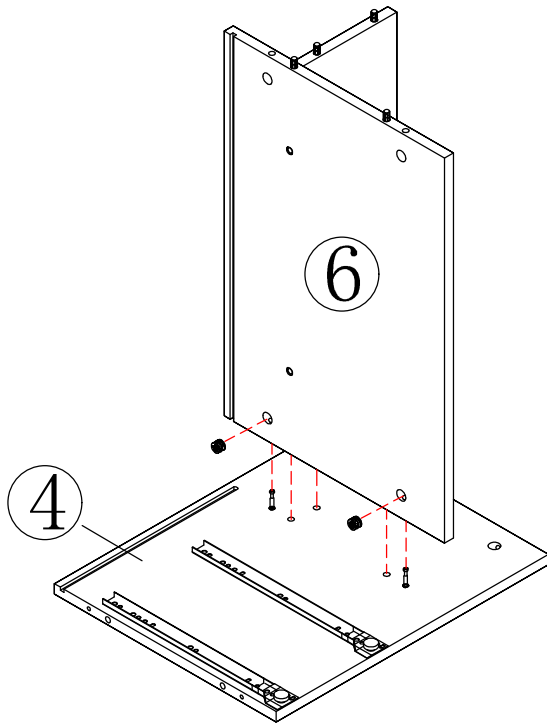
 F x2PCS
 P x1PCS




STEPS

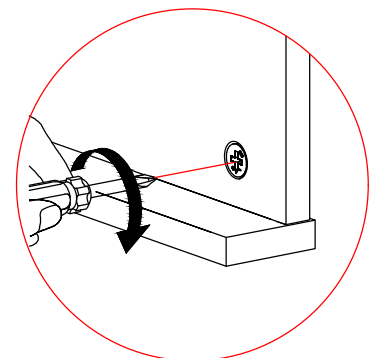
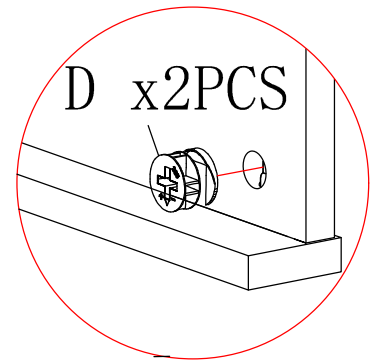
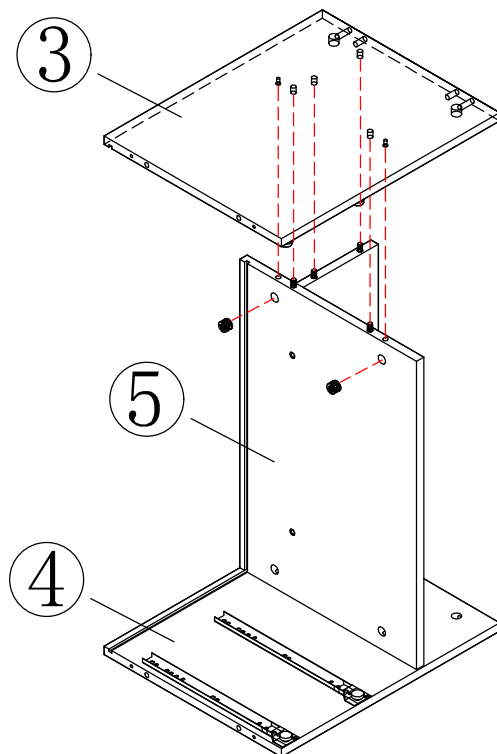
STEP-5

 D x2PCS




STEP-6

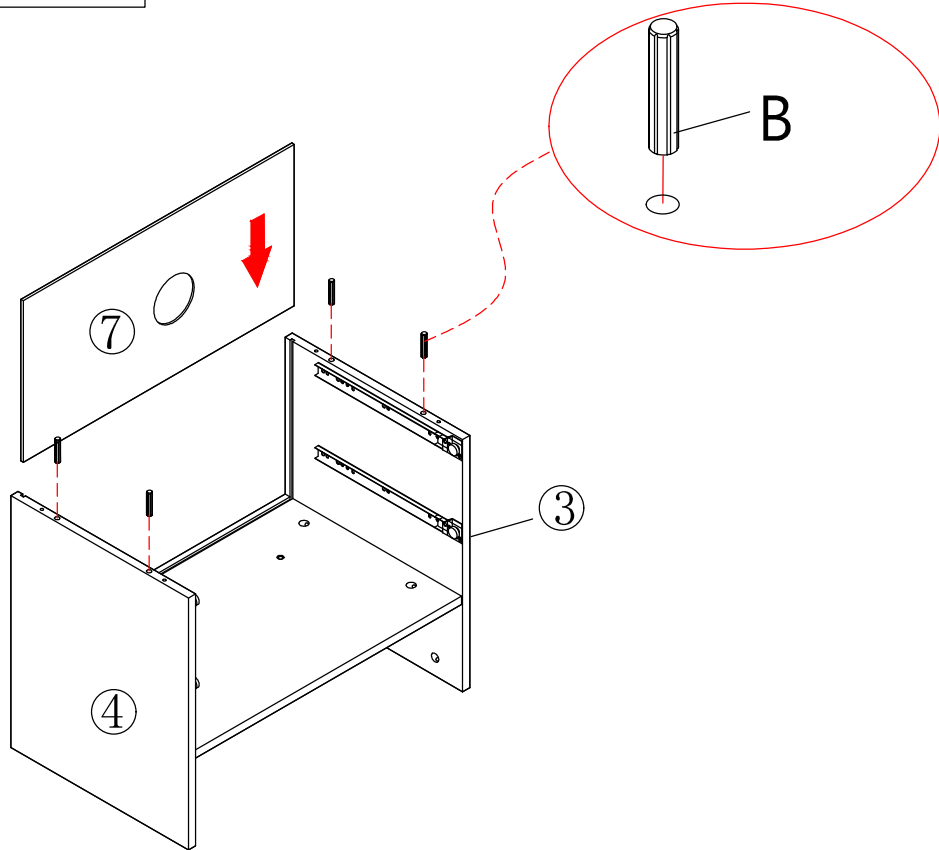
 D x2PCS





STEPS

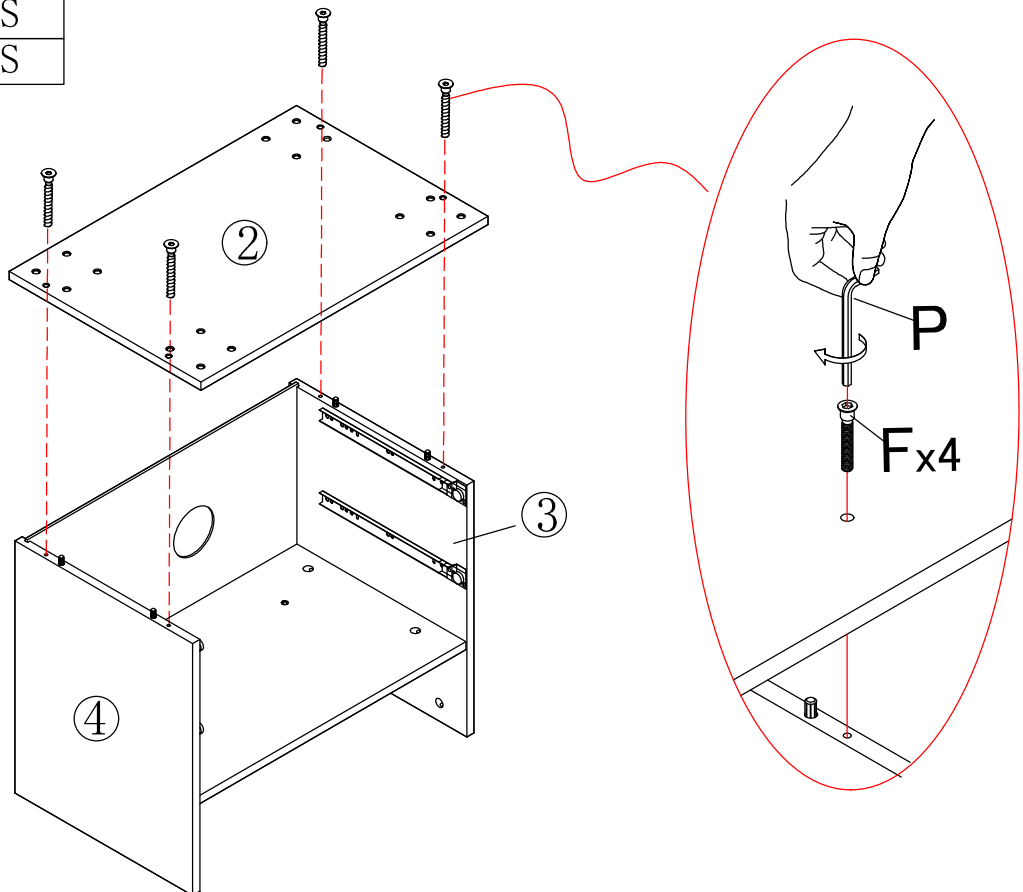
STEP-7

	B x4PCS
---	---------





STEP-8

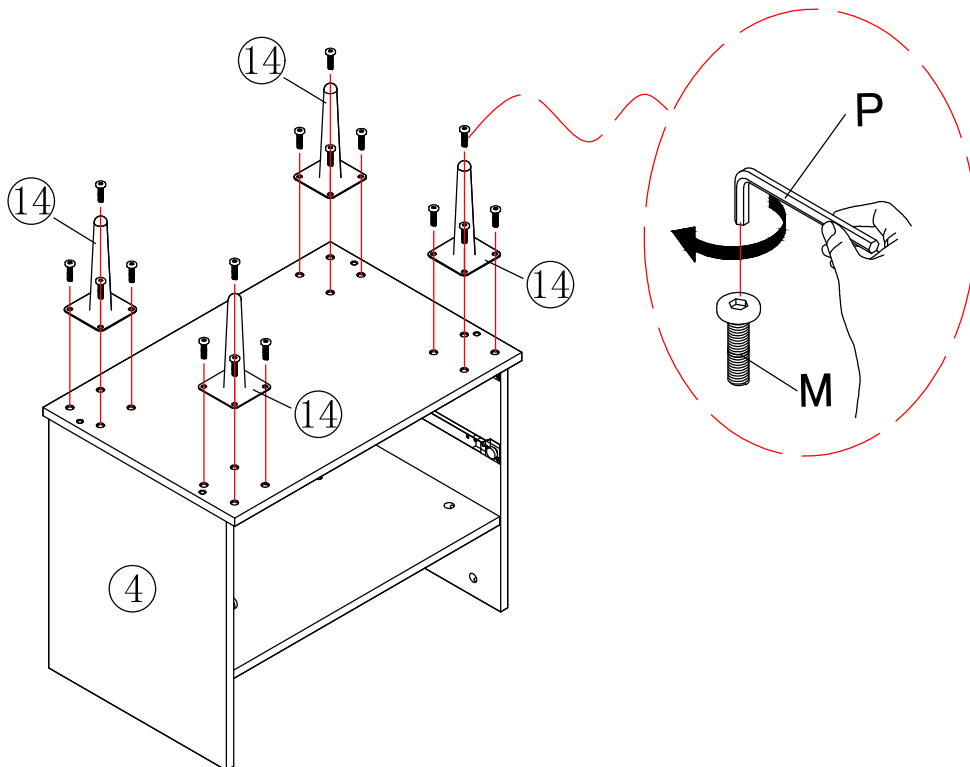
	F x4PCS
	P x1PCS




STEPS

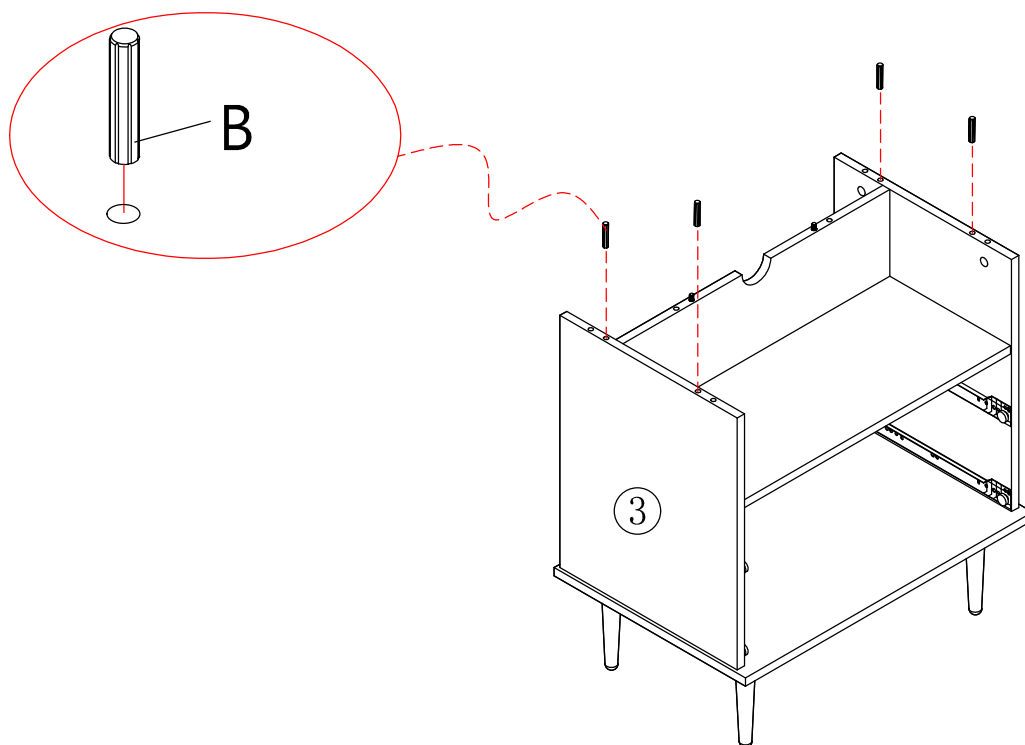
STEP-9

	M x16PCS
	P x1PCS



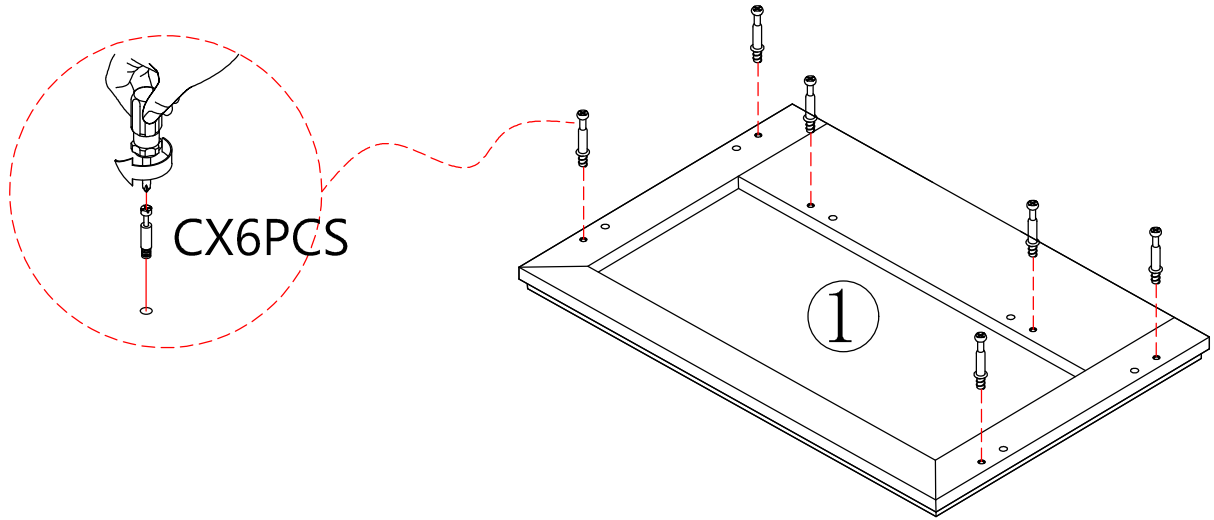
STEP-10

	B x4PCS
---	---------

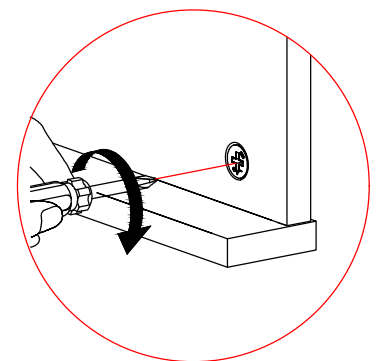
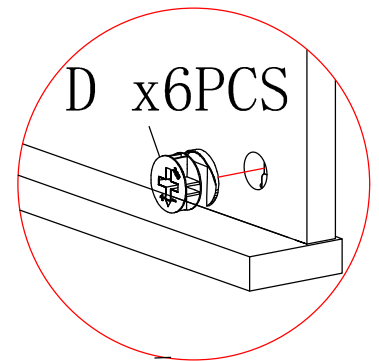
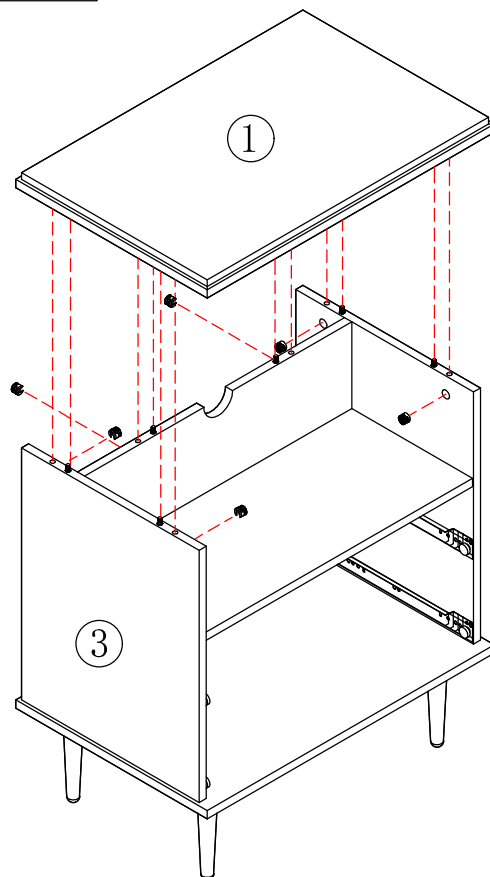


STEPS

STEP-11 C x6PCS

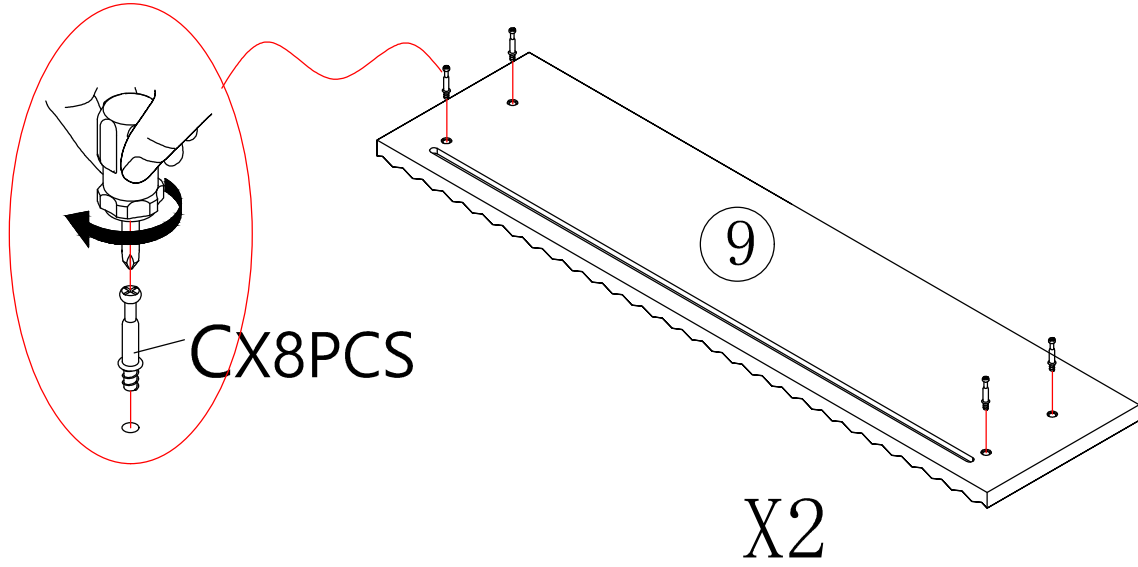


STEP-12 D x6PCS

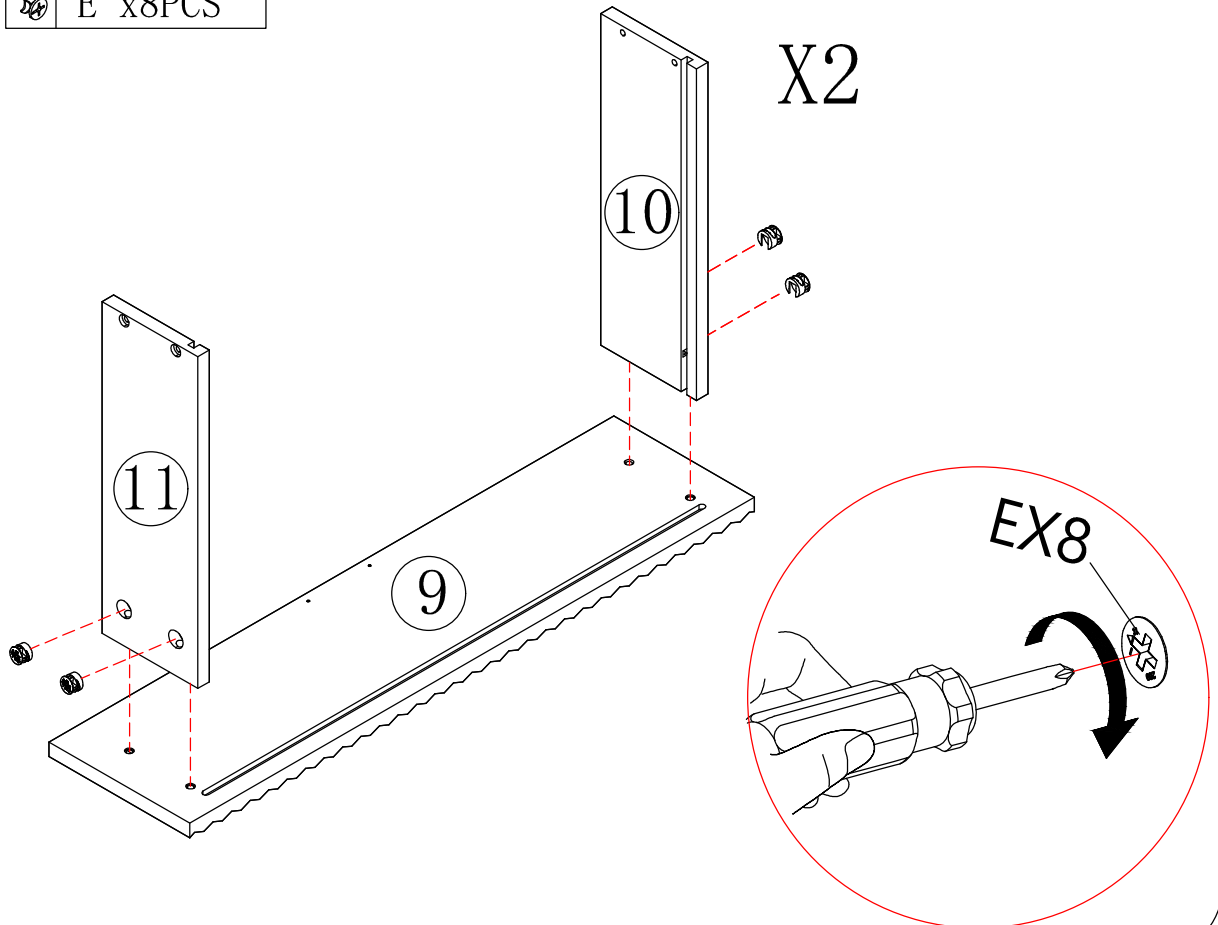


STEPS

STEP-13 C x8PCS

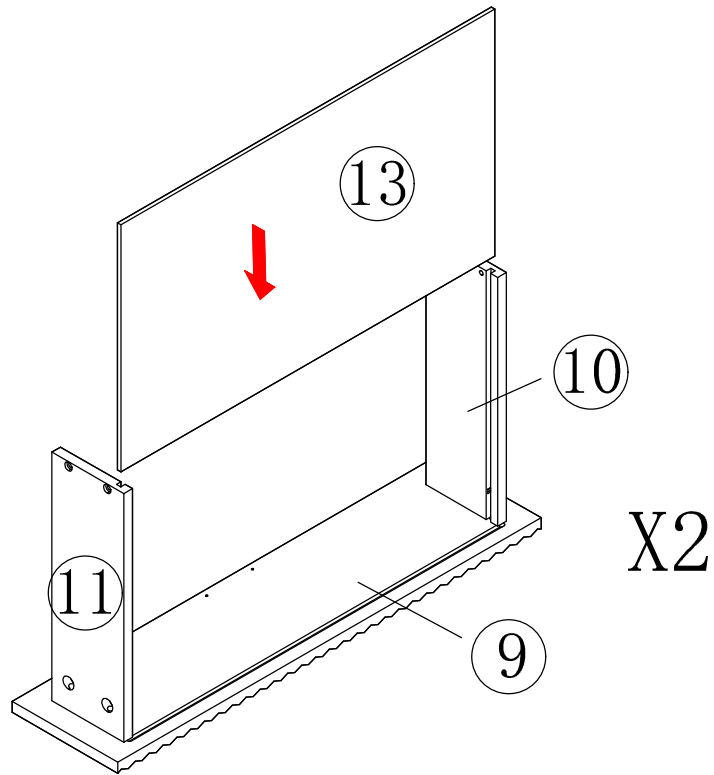


STEP-14 E x8PCS

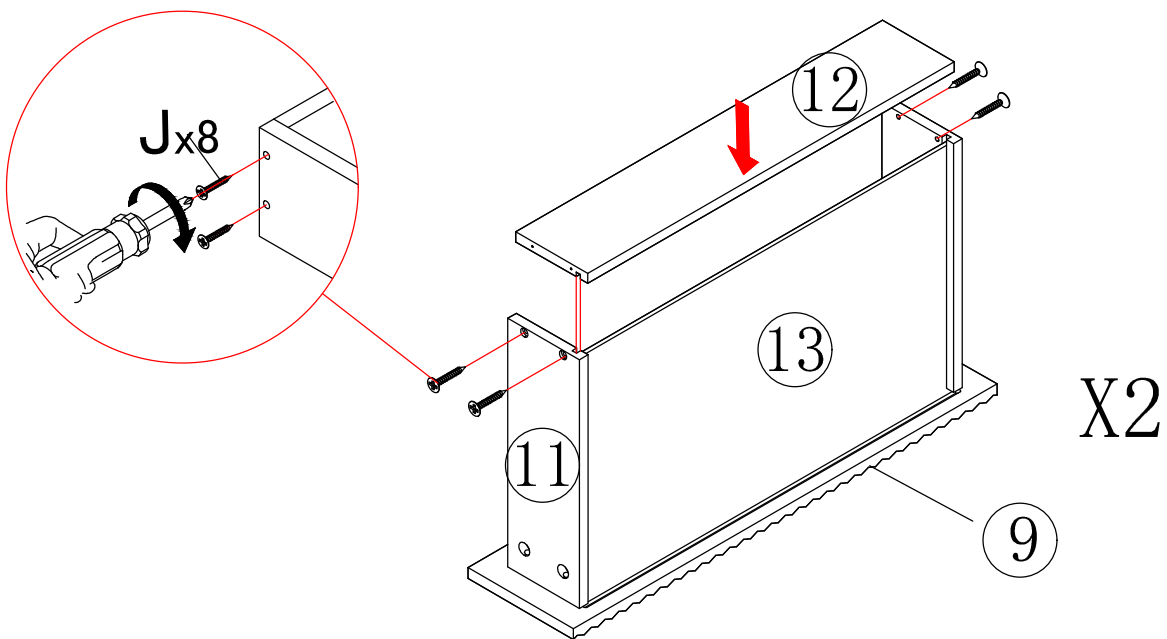


STEPS

STEP-15






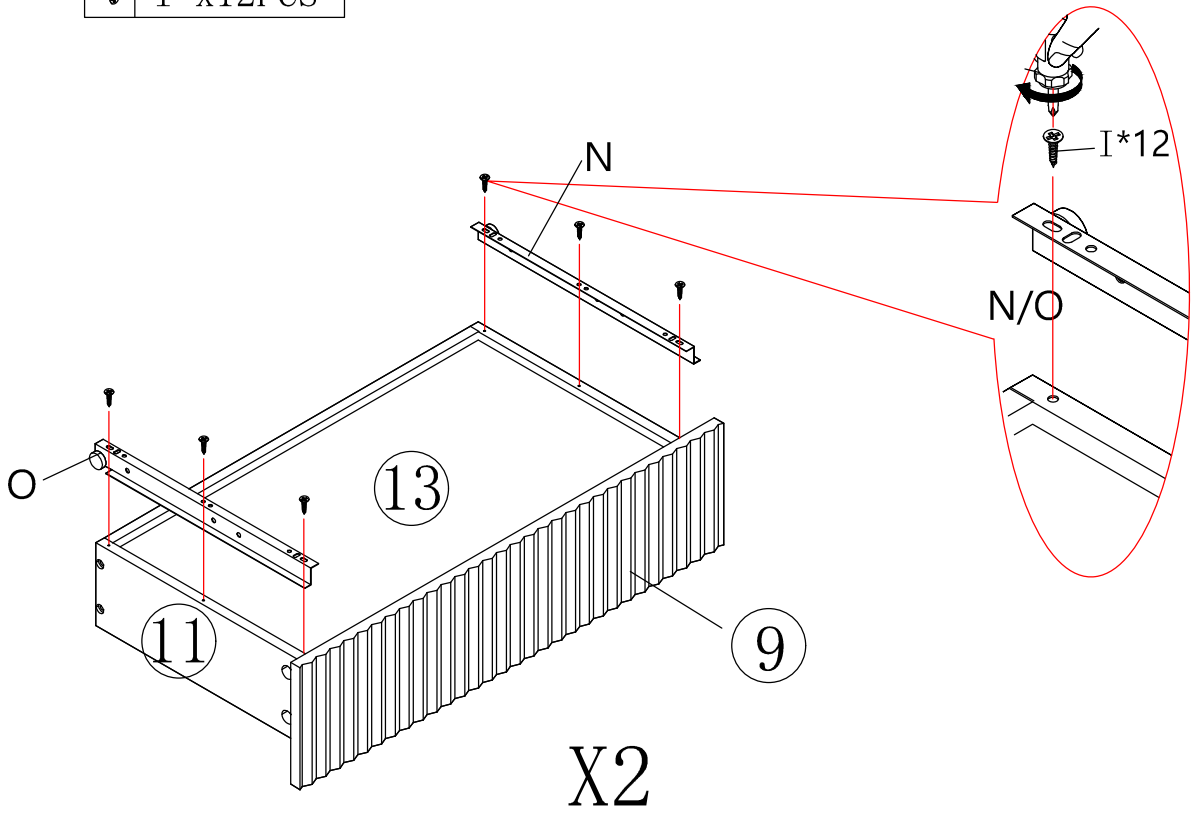
STEP-16 J x8PCS



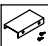
STEPS

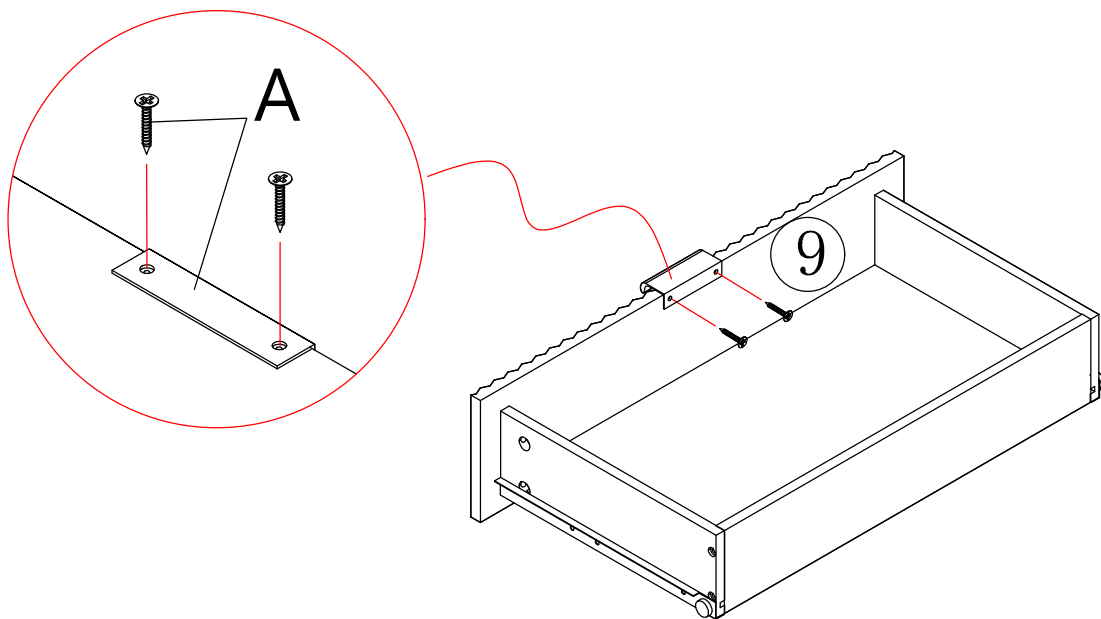
STEP-17

	N x2PCS
	O x2PCS
	I x12PCS



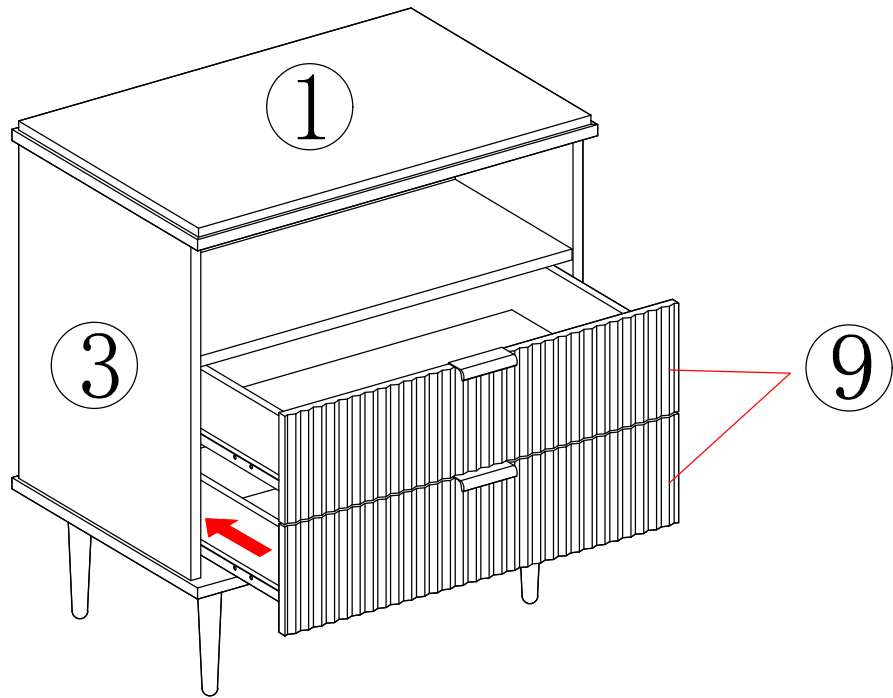
STEP-18

	A x2PCS
---	---------





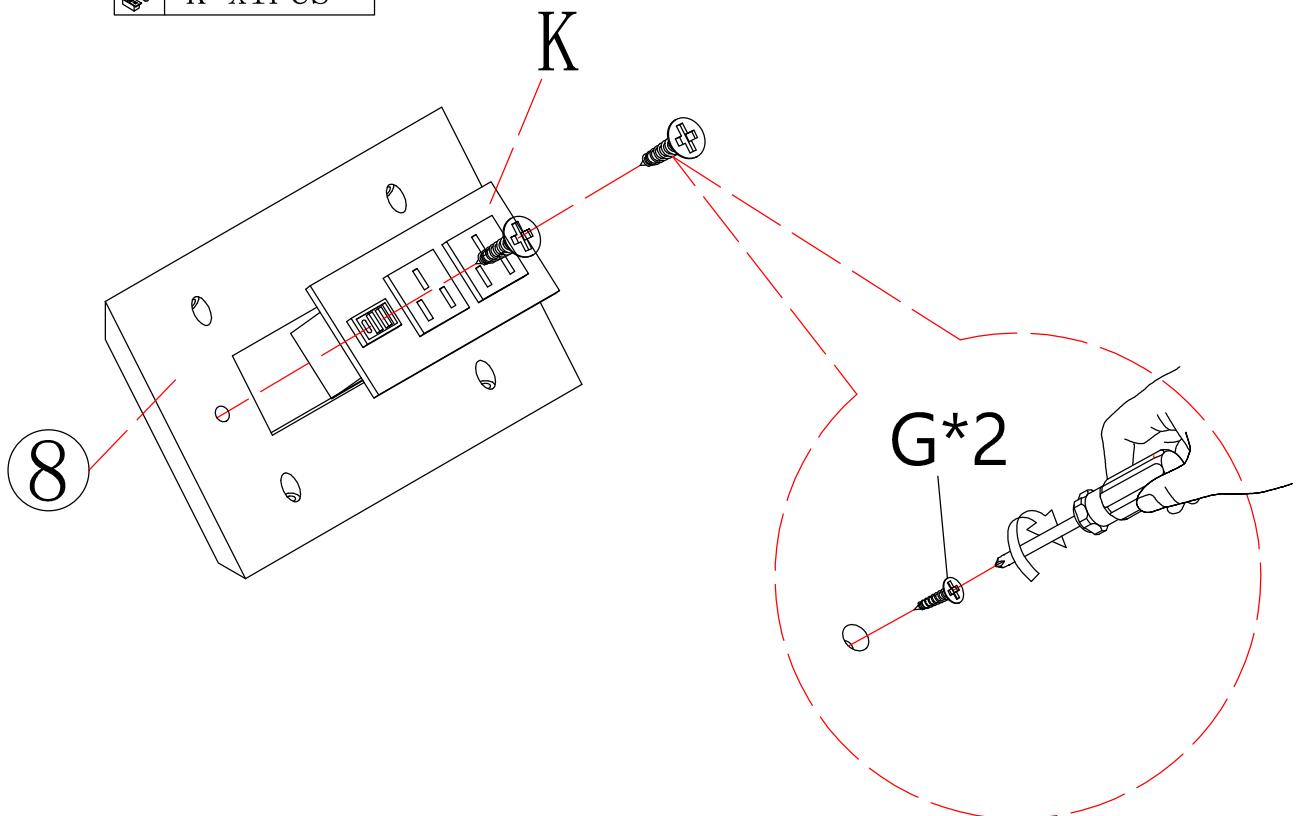
STEPS

STEP-19



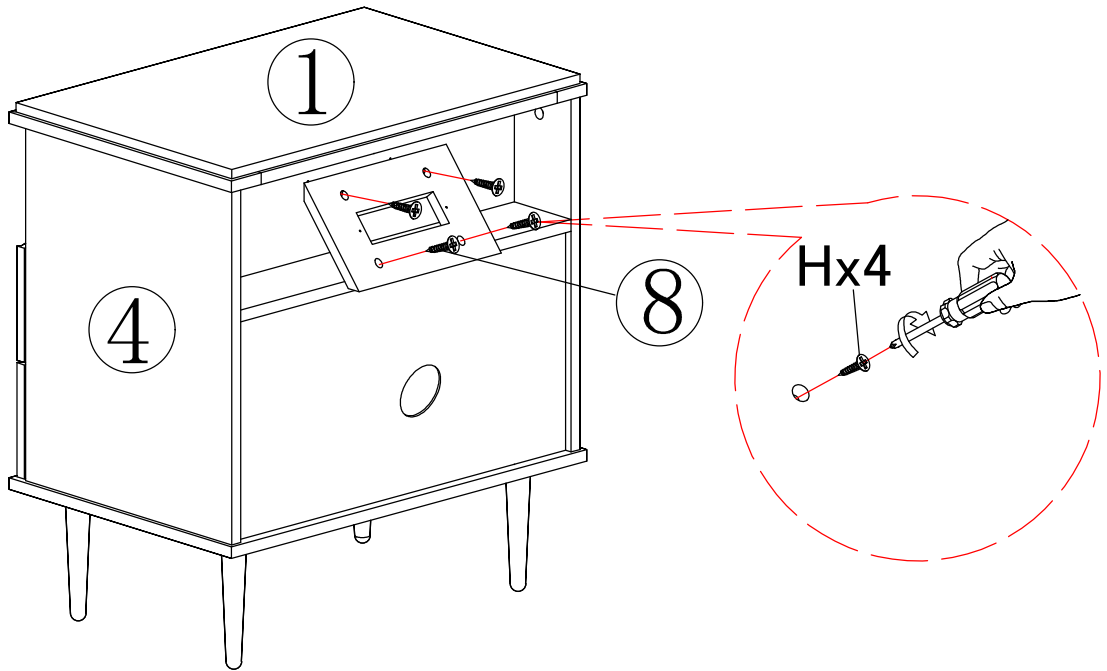
STEP-20

	G x2PCS
	K x1PCS



STEPS

STEP-21 H x4PCS



STEP-22 G x8PCS L x8PCS

