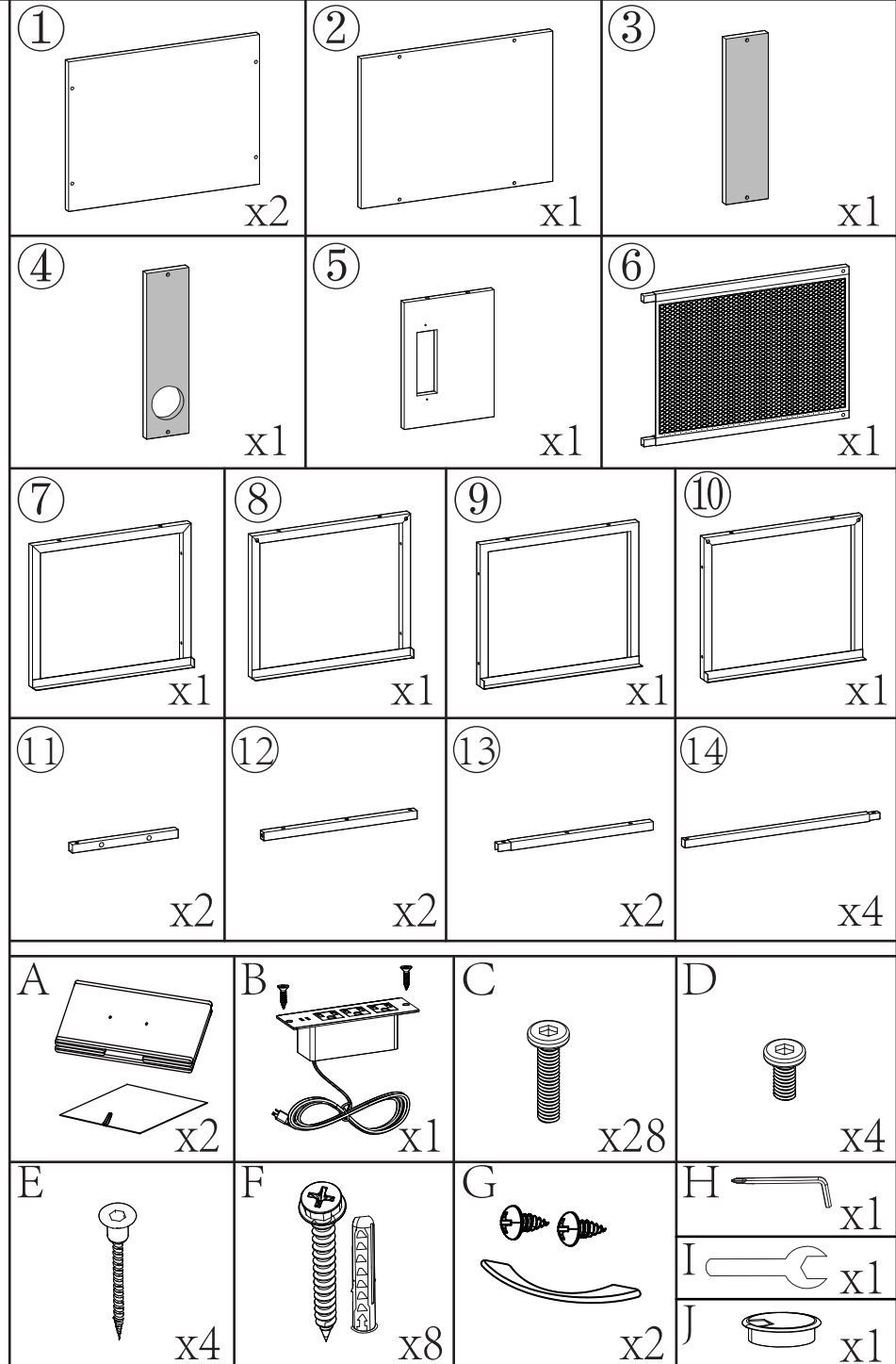
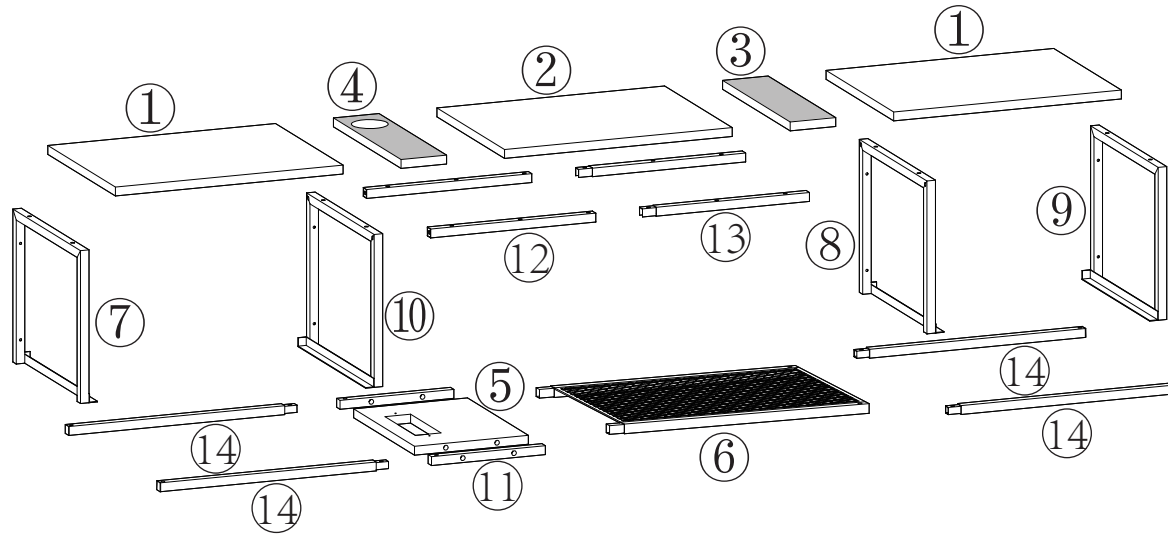
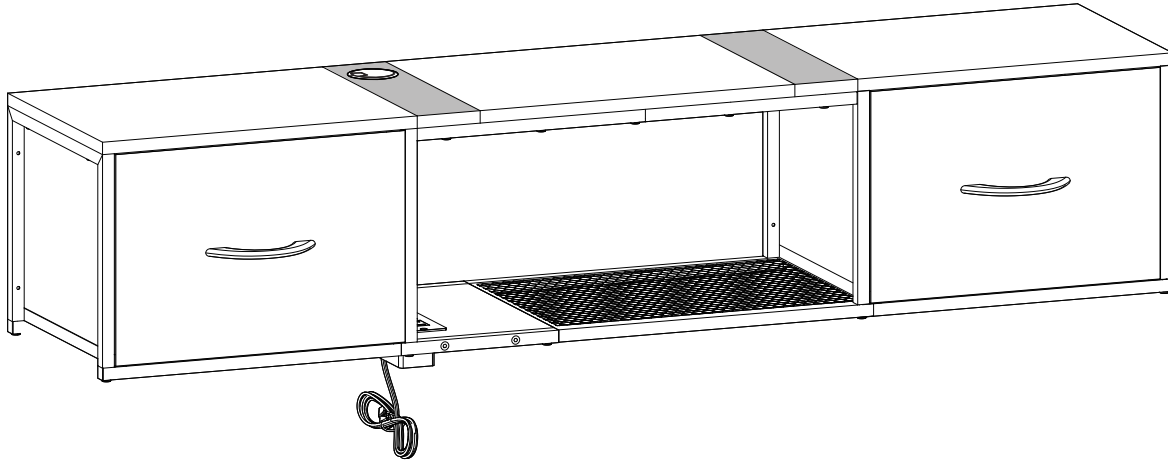
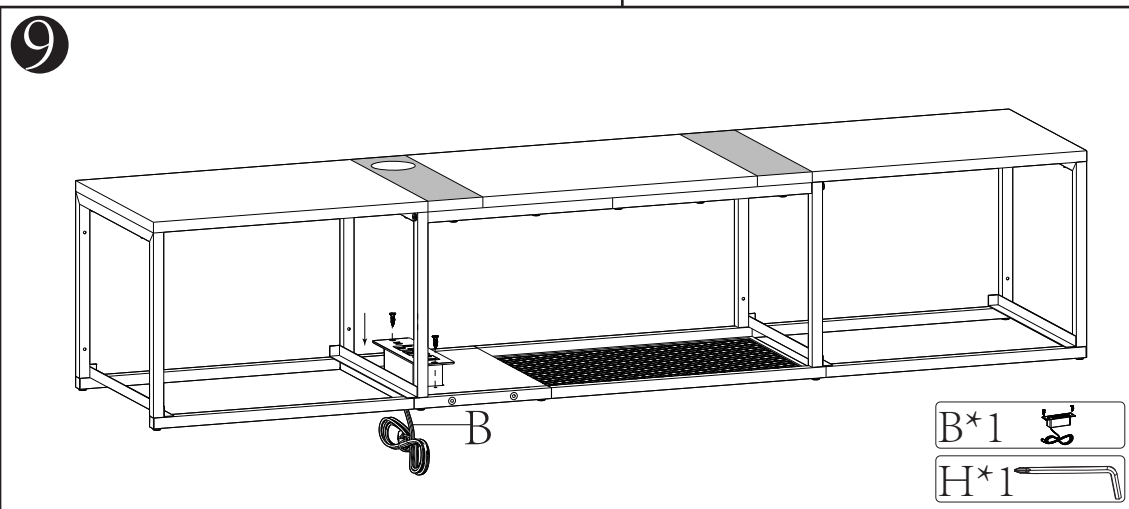
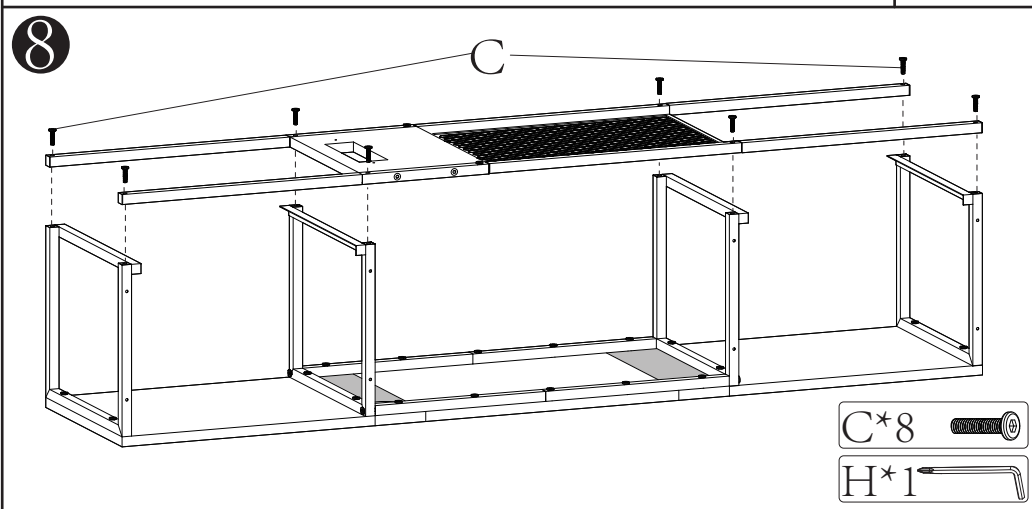
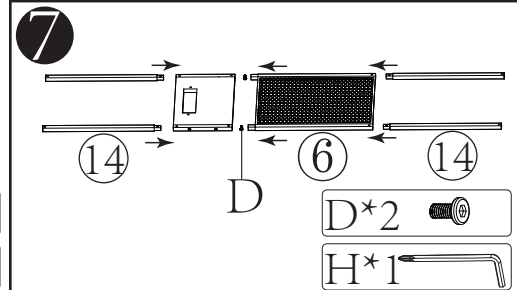
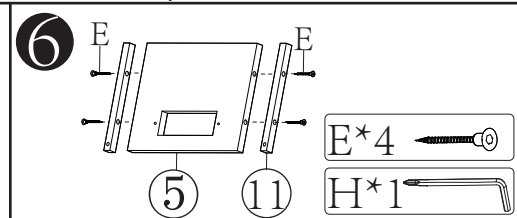
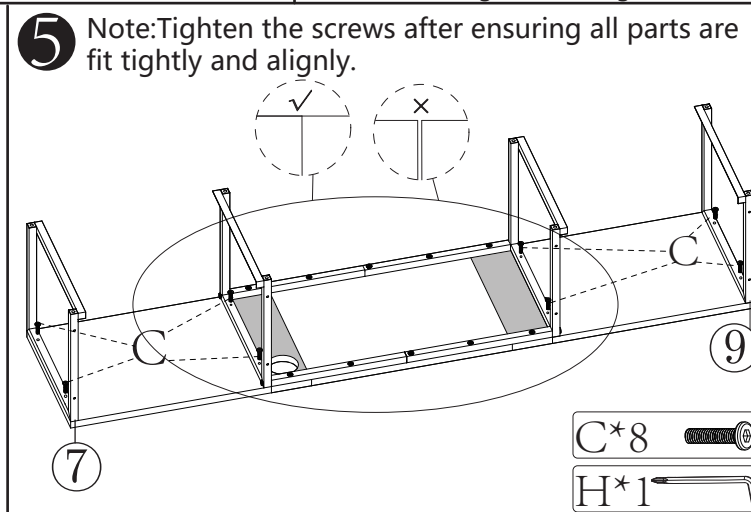
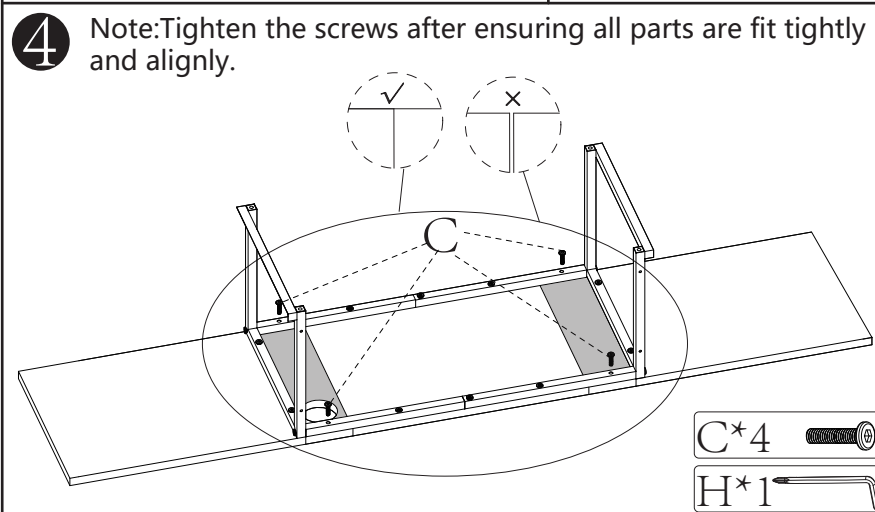
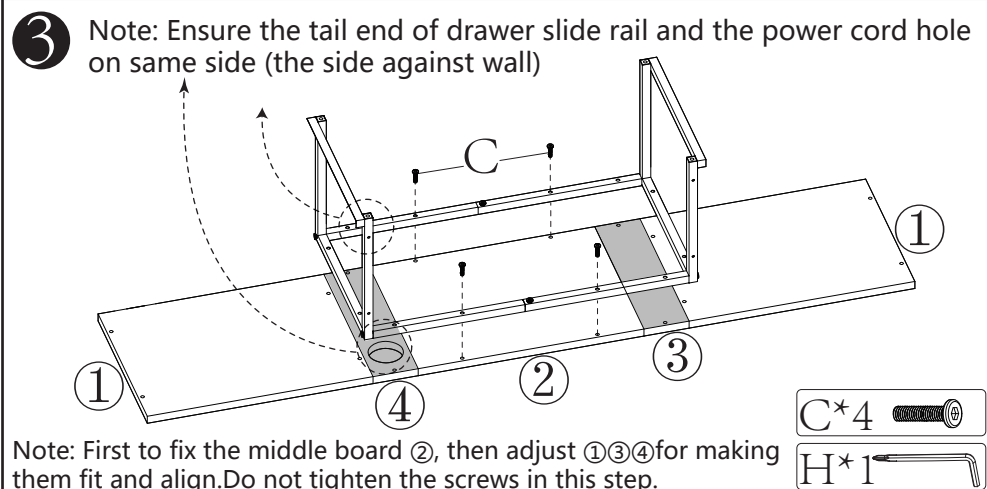
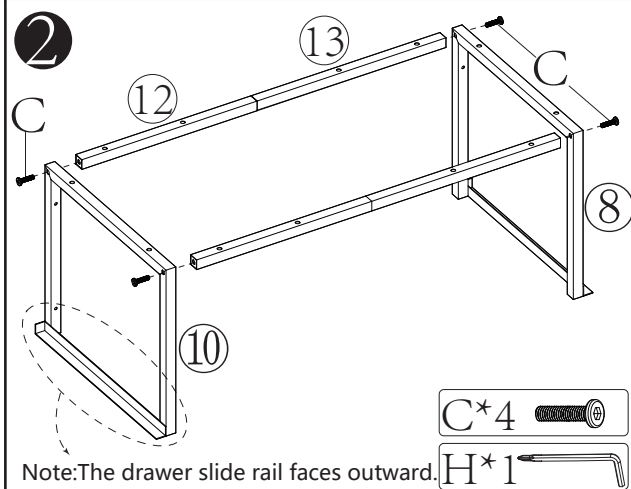
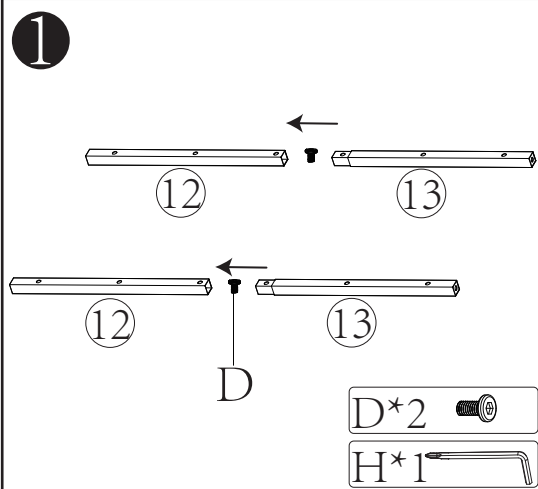


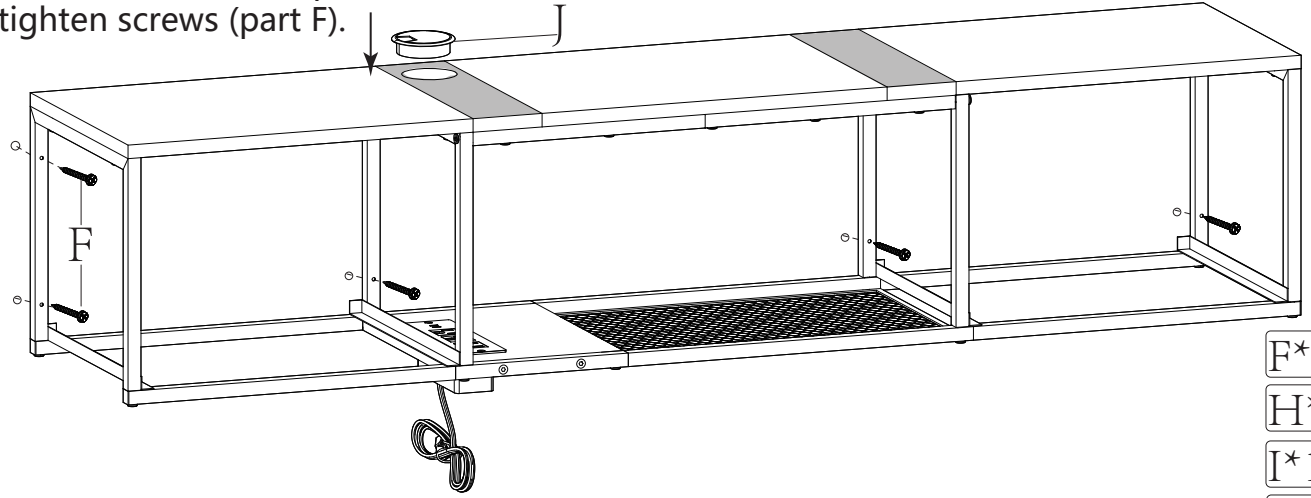
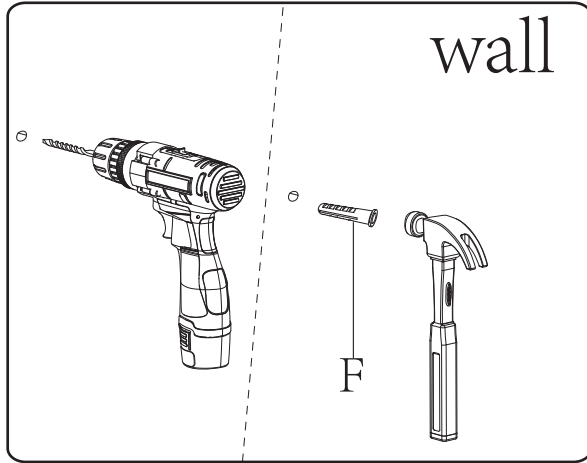
INSTALLATION ASSEMBLY





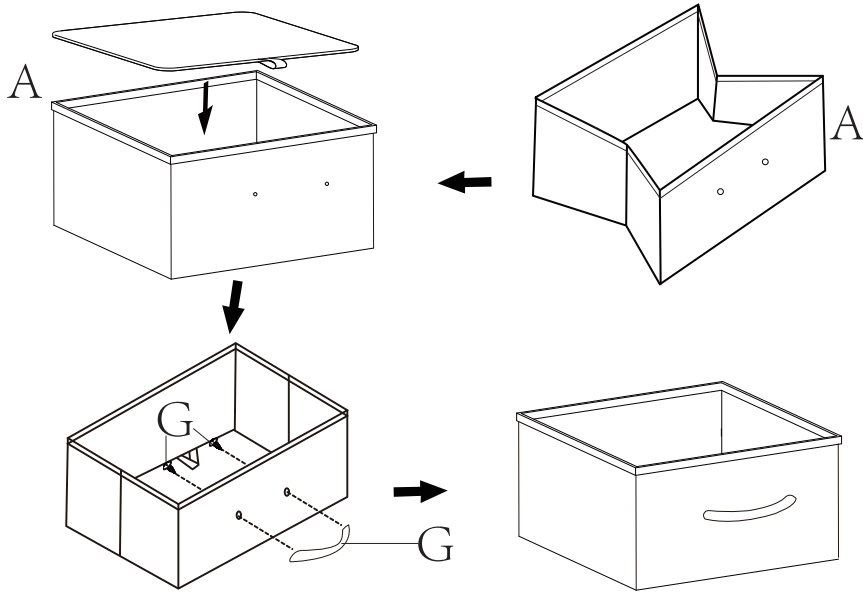
10 First to mark hole positions on wall, aligning the mounting holes of TV stand.
 Drill holes aligning the marked position, and install anchors (part F).
 Put the TV stand aligning the holes and tighten screws (part F).

wall



- F*8
- H*1
- I*1
- J*1

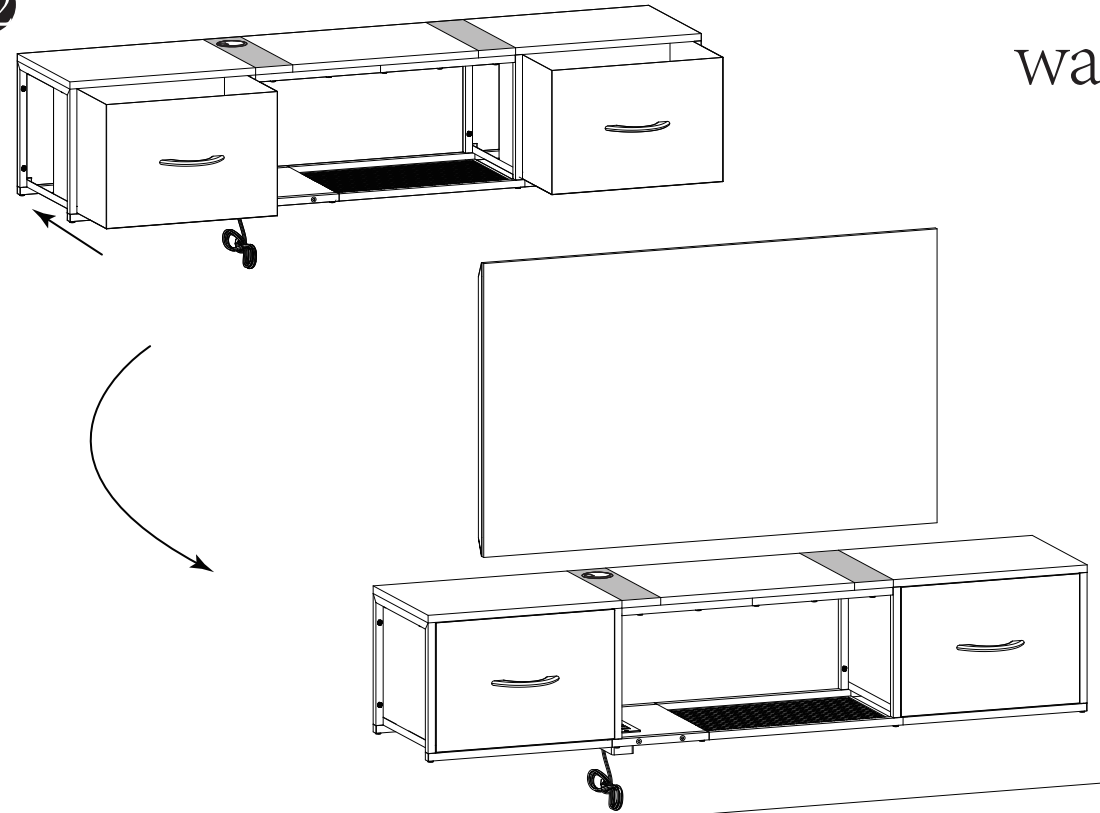
11



- A*2
- G*2
- H*1

X2

12



wall