

OUTDOOR CONVERSATION SET INSTRUCTION MANUAL



**Capacity: 1
Person Required**



**Assembly Time:
30-60 Minutes**

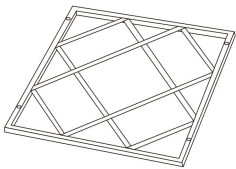


**1-Box
Shipment**

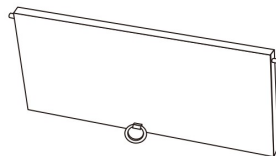
BEFORE YOU BEGIN:

- **Pre-Assembled Design:** This conversation set is mostly pre-assembled and ready to use. The only component requiring assembly is the coffee table, which is shipped unassembled to protect the glass during transit.
- **Assembly Tip:** DO NOT fully tighten the screws initially. Loosely thread each screw into its designated hole to ensure proper alignment. Once ALL screws are in place, you may proceed to fully tighten them.
- **Packaging:** Please retain all packaging materials until assembly is completely finished.
- **Safety Warning:** If the glass is broken upon arrival, DO NOT handle the broken pieces with bare hands.
- **Customer Support:** For assembly assistance, or to report missing or damaged parts, please email us at Patiofurniture-service@gmail.com. Be sure to include photos of the issue and the SKU number found on the box label.
- **Care & Maintenance:** To extend the lifespan of your furniture, please use a protective cover and store the cushions indoors during inclement weather (rain or snow) or extended periods of non-use.

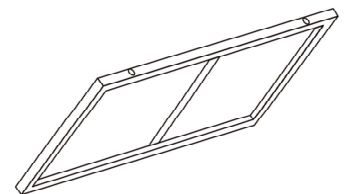
Parts List of Coffee Table



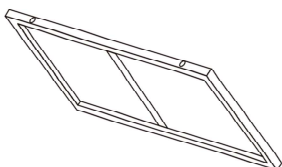
D: Top Frame x1



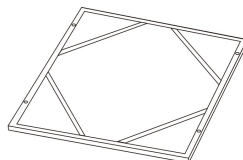
E: Front Swing Panel x1



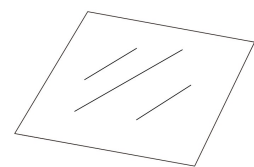
**F & G: Side Panels
x2**



H: Back Panel x1



I: Bottom Panel x1



J: Glass x1



a: M6*20mm Bolt
x2



b: M6*30mm Bolt
x8



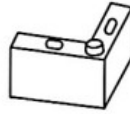
c: M6*35mm Bolt
x12



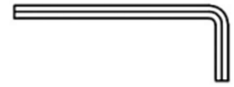
g: D=13mm
Plastic Spacer x2



i: Telescopic Support Rod
x1



o: L-Shaped Feet
x4

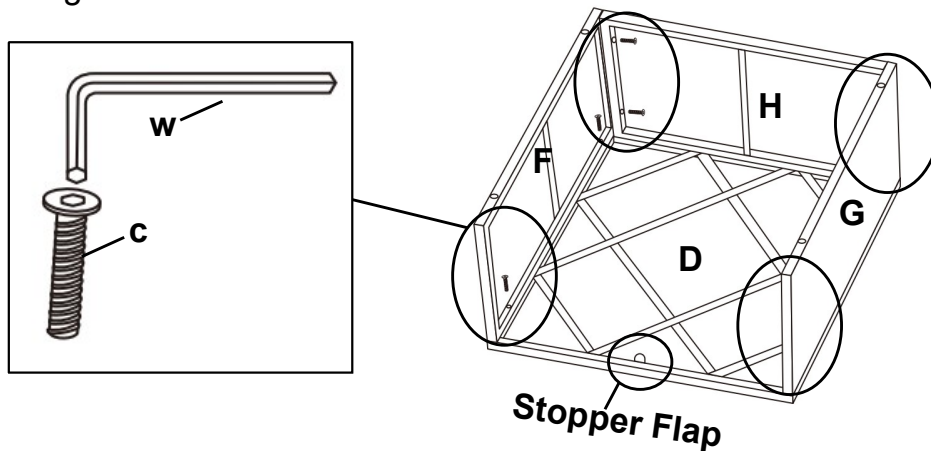


w: D=4 mm Allen
Key x1

Assembly Steps for Coffee Table

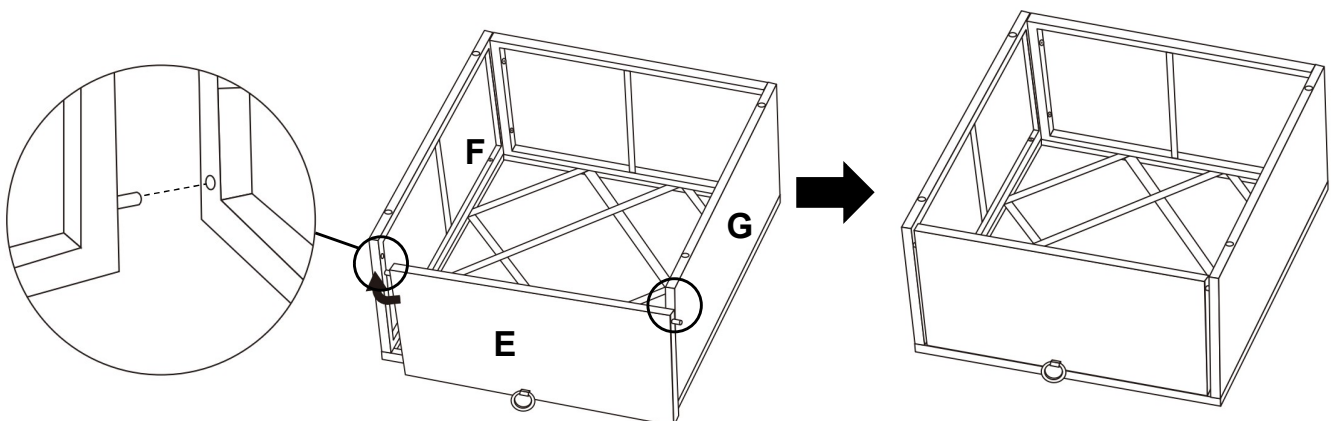
Step 1: Assembling the Main Frame

- Lay the Top Frame (D) flat on a soft surface with its structural frame side facing up.
- Position the Back Panel (H) on the side of the Top Frame opposite the stopper flap.
- Place the two Side Panels (F & G) on the left and right sides.
- Align all pre-drilled holes and insert 8 Bolts (c) into the aligned holes.
- Using the provided Allen Key (w), tighten the bolts to secure the Top Frame (D) to panels F, G, and H, and to connect the Back Panel (H) to the Side Panels (F & G), as shown in the figure below.



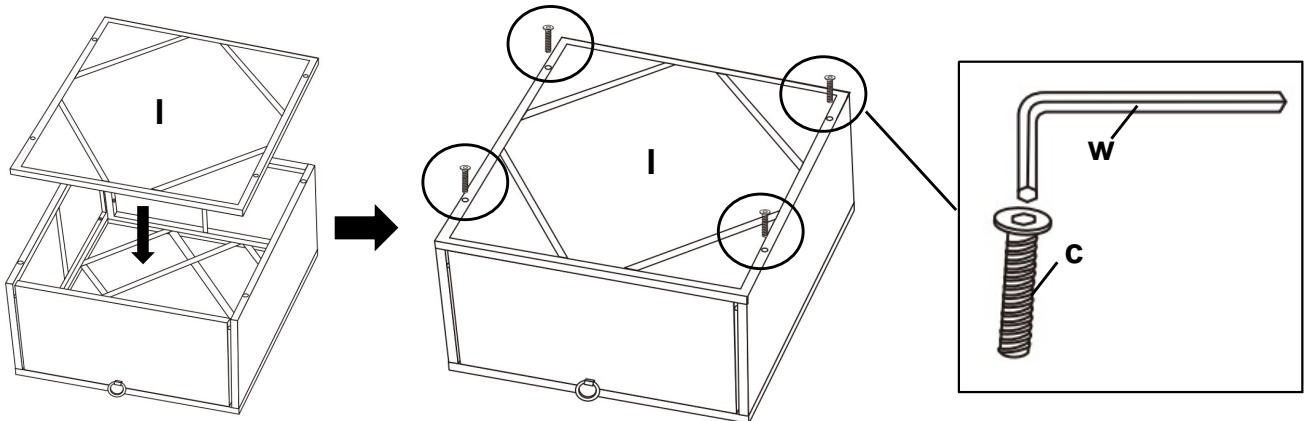
Step 2: Installing the Front Swing Panel

- Position the Front Swing Panel (E) so that the pull ring is facing downward and outward.
- Align the panel and insert the pivot pins on both sides into the pre-drilled holes located on Side Panels (F & G).



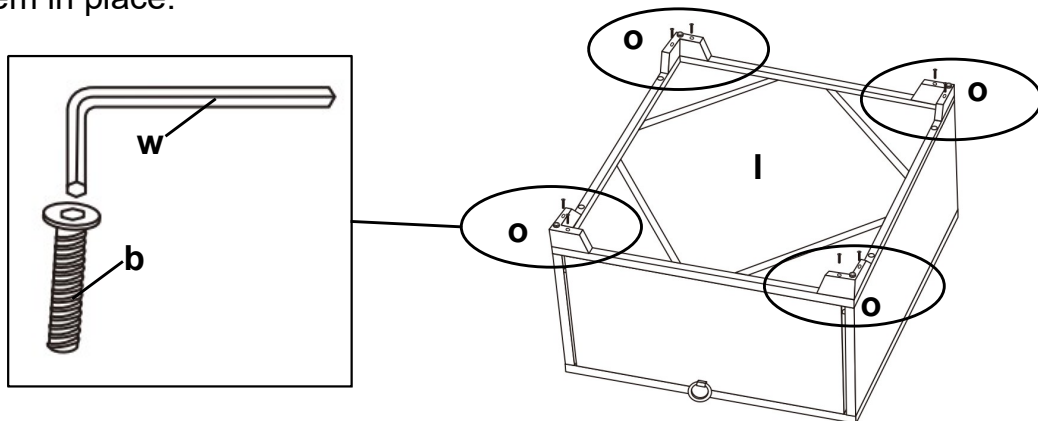
Step 3: Attaching the Bottom Panel

- Place the Bottom Panel (I) onto the assembled frame with its structural frame side facing up.
- Align the four screw holes, then insert 4 Bolts (c).
- Use the provided Allen Key (w) to tighten the bolts securely.



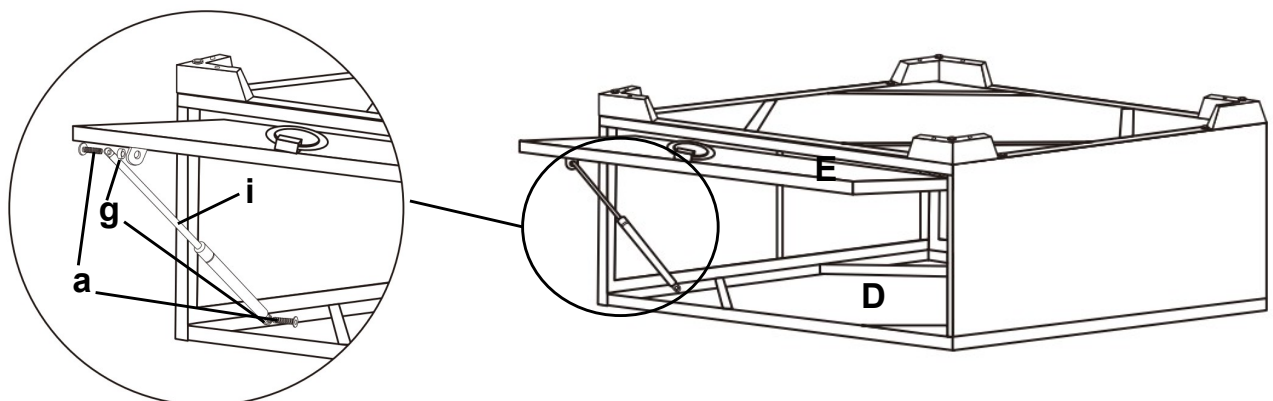
Step 4: Installing the L-Shaped Feet

- Align the right angles of the 4 L-Shaped Feet (o) with the four corners of the Bottom Panel (I).
- Using the provided Allen Key (w), insert and tighten the 8 Bolts (b) (2 bolts per foot) to secure them in place.



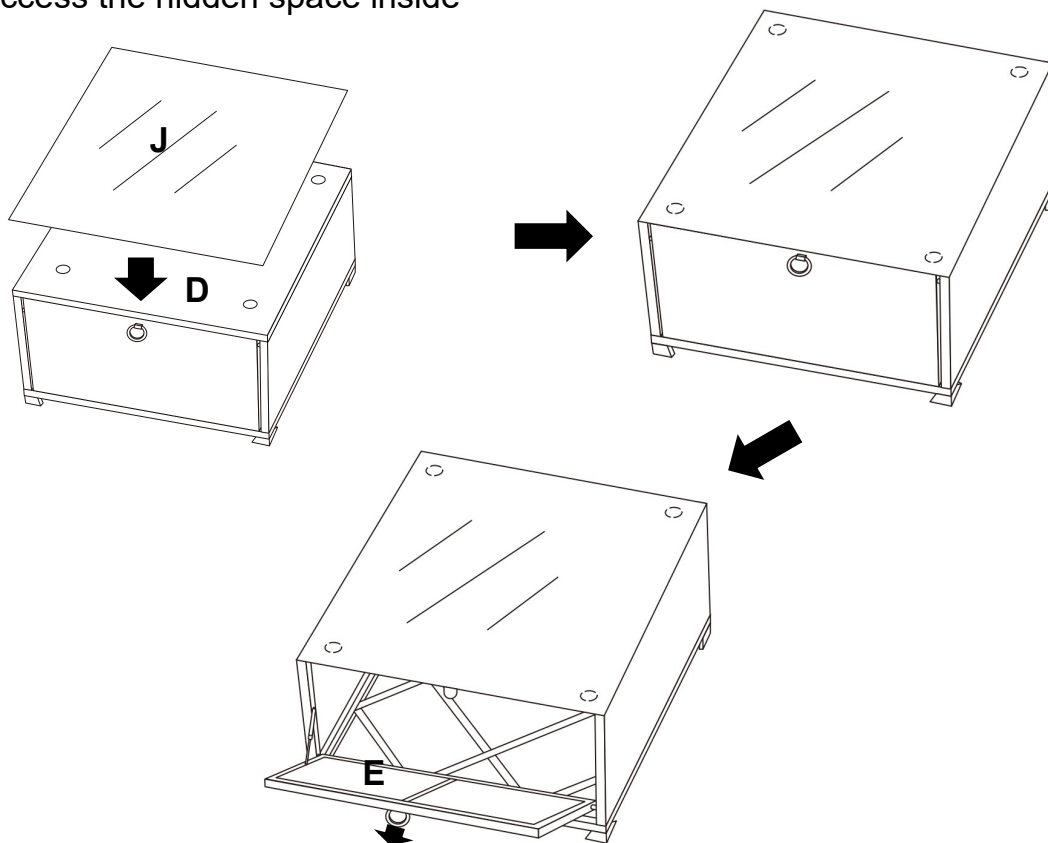
Step 5: Installing the Telescopic Support Rod

- Stand the assembled table in its upright position.
- Open the Front Swing Panel (E) so it is facing upward.
- Locating the pre-drilled hole on the Top Frame (D) (on the same side as the bracket), insert Bolt (a) through the mounting hole of the Outer Tube (i), then through the Plastic Spacer (g).
- Use the Allen Key (w) to secure it into the pre-drilled hole on the Top Frame.
- Using the same method, secure the end of the Inner Rod (i) to the Mounting Bracket located on the Front Swing Panel (E).



Step 6: Final Setup

- Carefully flip the entire table over once more so that it stands firmly on its 4 L-Shaped Feet.
- Align and place the Glass (J) onto the Top Frame (D).
- The Top Frame comes with 4 pre-installed suction cups to securely hold the glass and prevent it from shifting.
- The coffee table is designed with a spacious internal compartment for convenient storage. Simply pull the ring handle on the Front Swing Panel (E) to open the door and access the hidden space inside



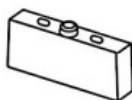
Parts List of 2-Piece Sofa Set



d: M6*42mm Bolt x16



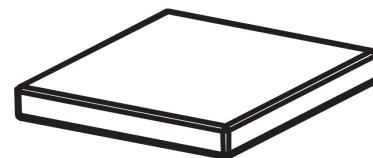
f: M6 Nut x16



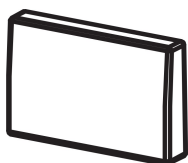
n: Straight Feet x2



o: L-Shaped Feet x6



r: Seat Cushion x2



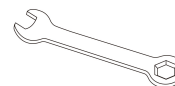
s: Short Back Cushion x4



u: Long Back Cushion x4



v: Anti-Slip Pad x2 & Furniture Clips x2



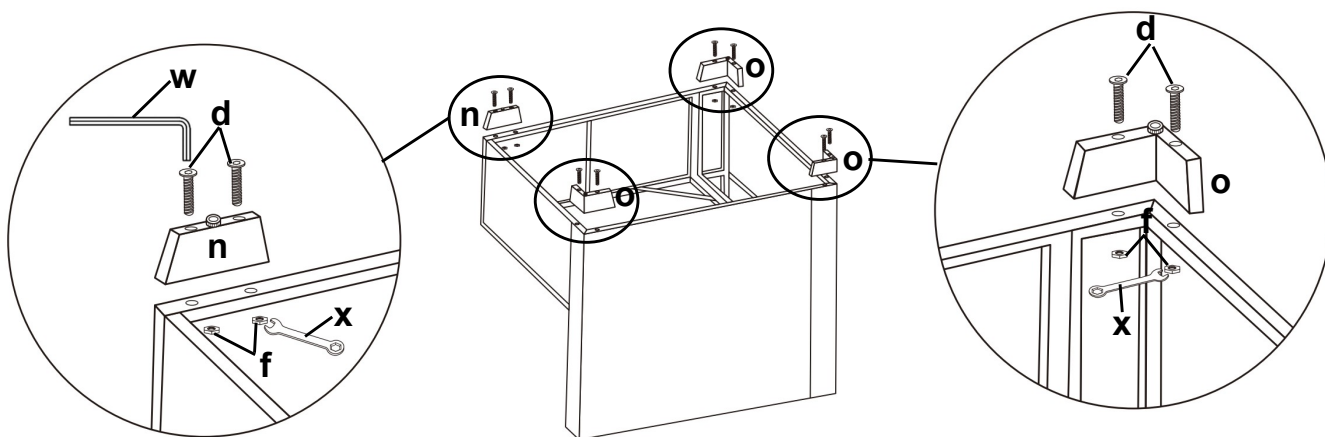
x: Open-end Wrench x1

Assembly Steps for 2-Piece Sofa Set

NOTE: The main sofa bodies are pre-assembled. You only need to install the feet and set up the cushions.

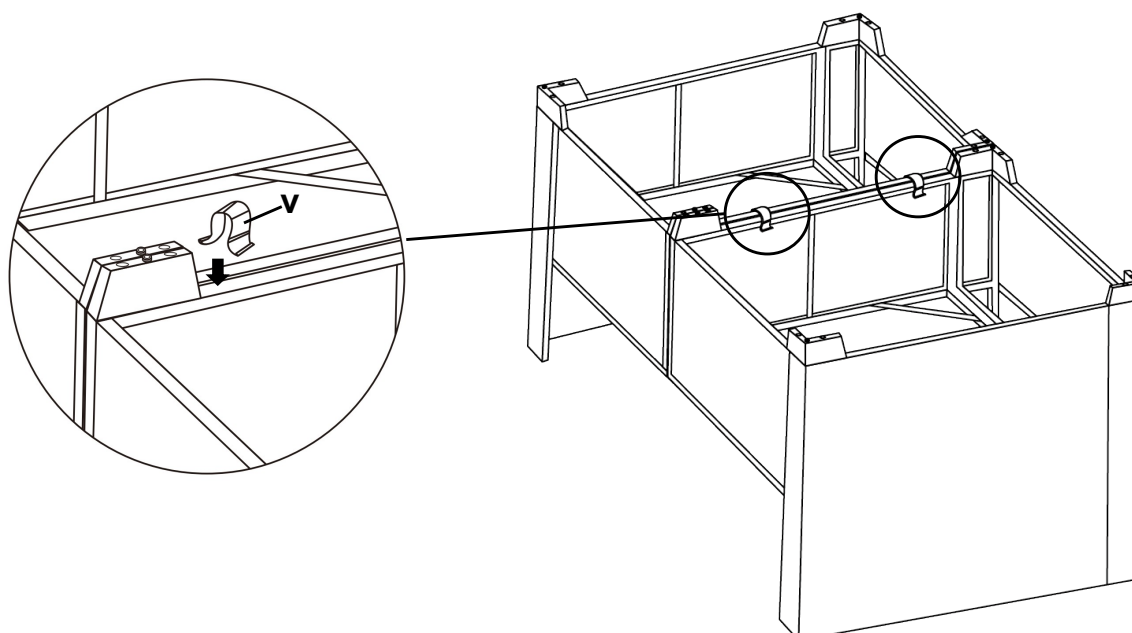
Step 1: Installing the Feet

- Place the sofas upside down on a soft, non-abrasive surface.
- Align 3 L-Shaped Feet (o) with the 3 corners of each sofa that connect to the backrest.
- Align Straight Feet (n) with the remaining corner of each sofa (the corner without a backrest connection).
- Insert 16 Bolts (d) into the pre-drilled holes.
- Use the Allen Key (w) to drive the Bolts (d) down, then tighten the Nuts (f) from underneath using the open-end Wrench (x).



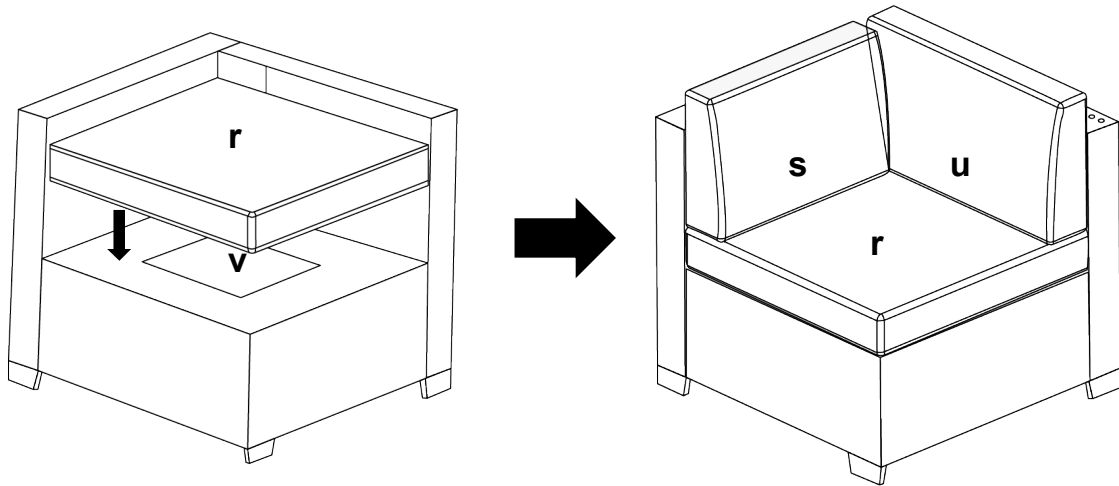
Step 2: Connecting the Units

- Keep the sofas in their inverted position (with feet facing up).
- Position the two sofa chairs so their backrests are side-by-side (aligned).
- From the package (v), take the 2 Furniture Clips and snap them onto the adjacent bottom frames, positioning them close to the feet for maximum stability.



Step 3: Cushion & Accessory Setup

- Place the 2 Anti-Slip Pad (from package v) in the center of each seat frame.
- Add the Seat Cushions (r).
- Arrange Long Back Cushions (u) and Short Back Cushions (s) according to the length of the backrest:



Step 4: Using the Adjustable Backrest Feature

- On the sofa unit featuring a pull ring on the seat surface, the panel can be lifted and converted into a reclining backrest.
- Pull the ring upward to lift the panel. There are 7 adjustable positions to provide the most comfortable reclining angle.
- To return the panel to a flat position, pull it to its **maximum** angle first to release the safety lock, then gently guide it back down.

