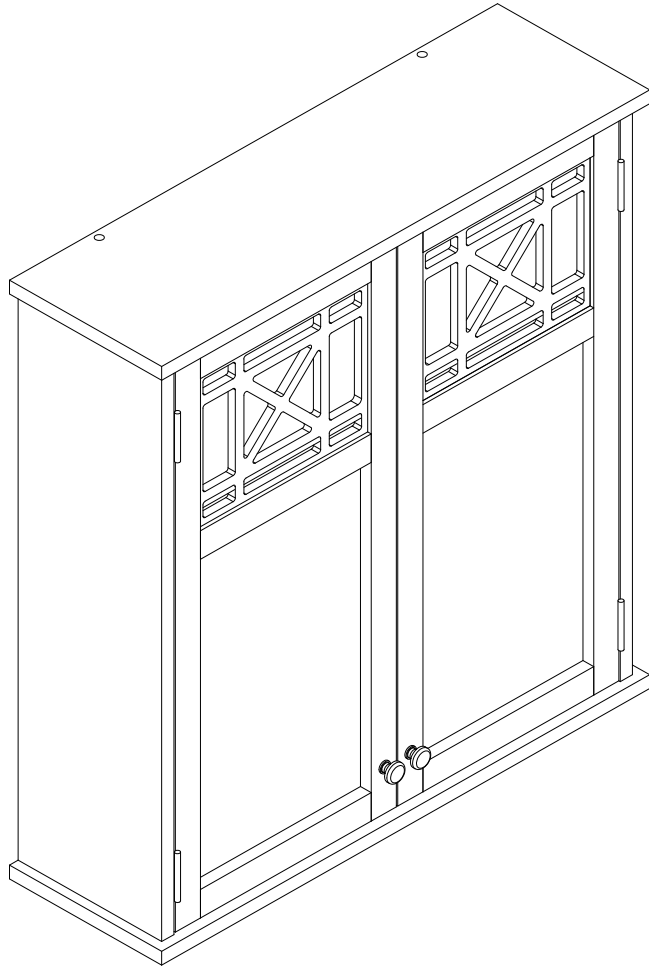


ASSEMBLY INSTRUCTIONS


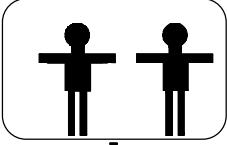

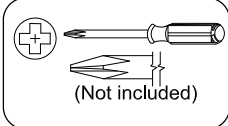
Over Toilet Hutch with Doors



REPLACEMENT PARTS

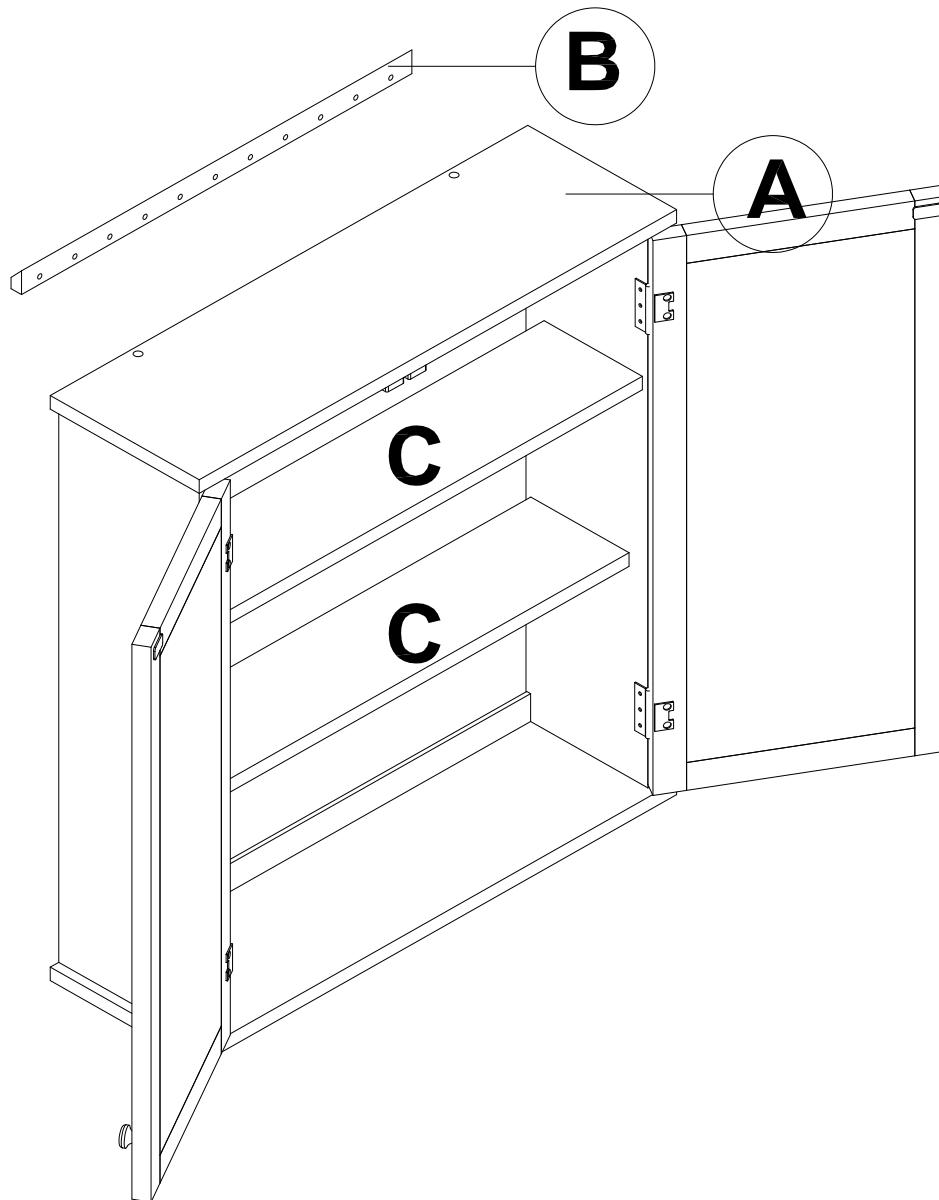
Please do not contact the company purchased from as we can help you faster.

Order replacement parts and hardware at "boltonfurniture.com"

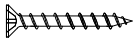
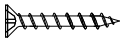
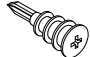




 <p>. Use of power tool to assemble this product will invalidate any claim and damage this product making it unsafe!!! . Please assemble on a clean soft surface to avoid damage.</p>	 <p>+</p>  <p>60 minutes</p>	<p><u>Tool Included</u></p>  <p>(Not included)</p>
--	---	--

www.boltonfurniture.com

Part List-Over Toilet Hutch with Doors

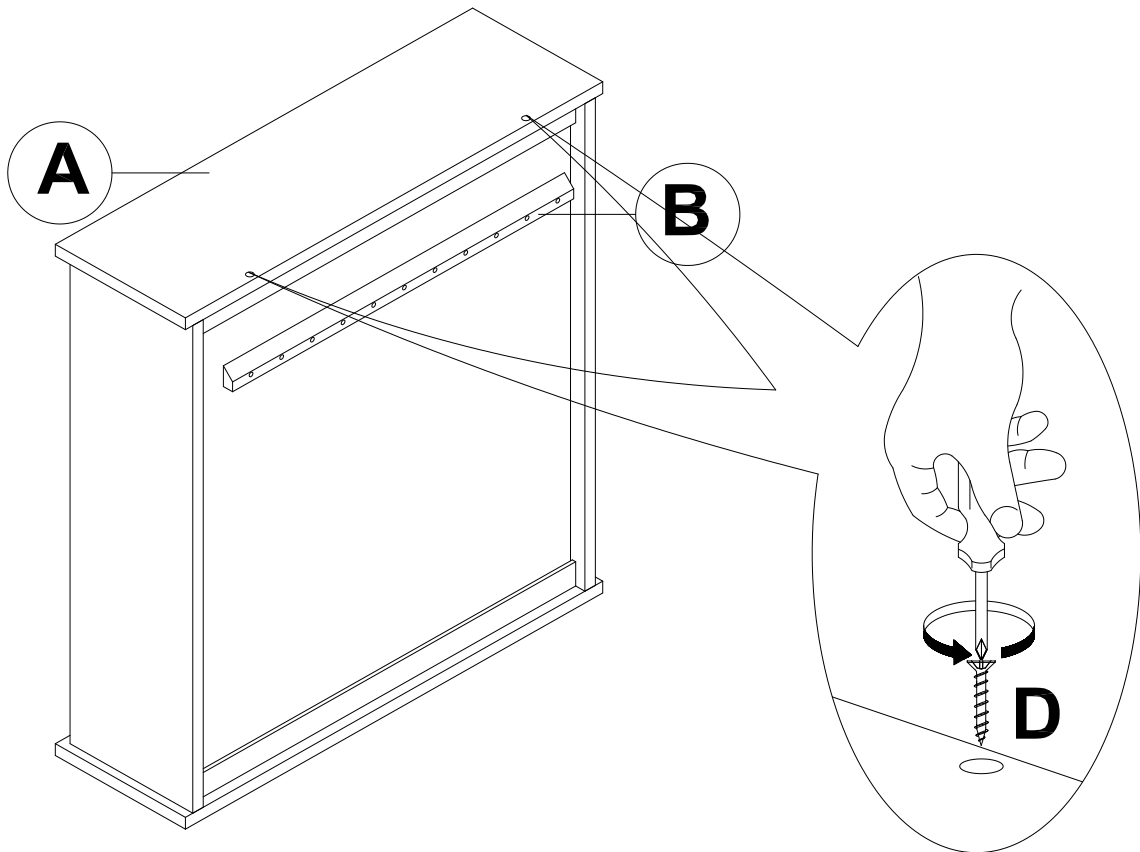


Identifying the hardware-Identify the hardware using the illustrations below.

D  06 4x50MM	E  04 4x40MM	F  04 EZ-ANCHOR	G  08
H  04 M6X45mm	I  01	J  01 Anti-Tip Bag	

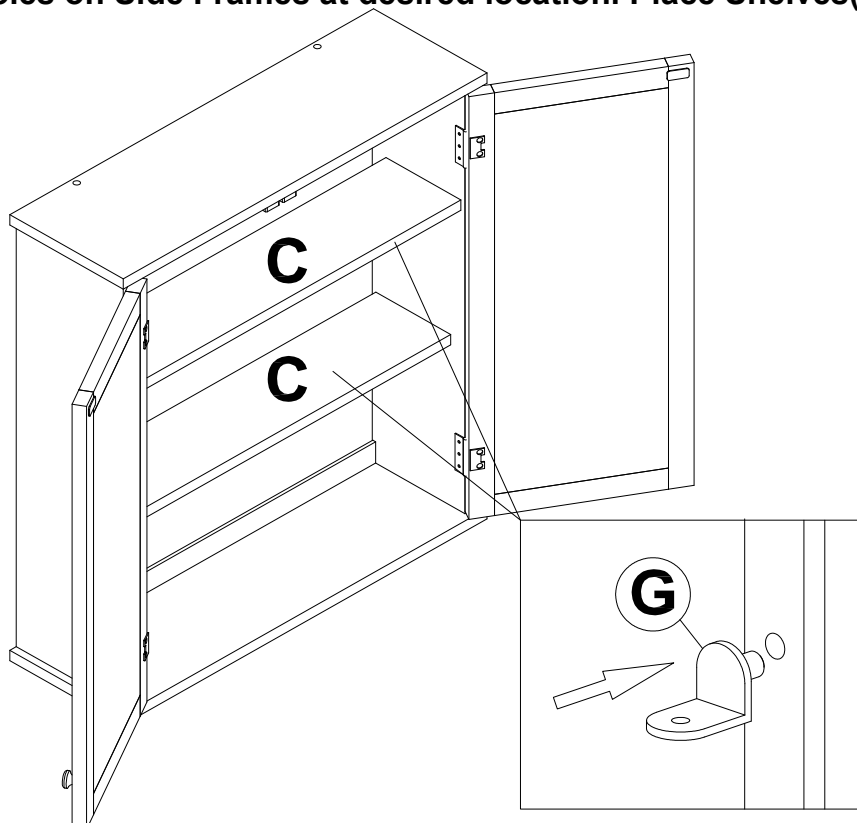
Step 1

Remove French Cleat(B) from the back of the Over Toilet Hutch with Doors by unscrewing 2 pre-installed Wood Screw(D) from the top of the hutch.



Step 2

Open the doors of the Over Toilet Hutch with Doors(A), Insert 8 Shelf Clips(G) in Holes on Side Frames at desired location. Place Shelves (C) on Shelf Clips(G)



Note: If possible, we recommend that you secure cleat (B) to stud in wall.

Step 3

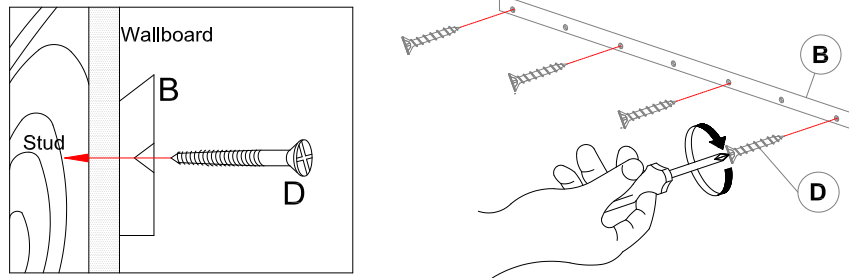
Position Cleat (B) on wall in desired location where shelf will be hung.
Make sure cleat is level.

Step 4

Using Cleat (B) as template, align holes in cleat to studs in wall. Drill
1/8" pilot holes 3/4" deep.

Step 5

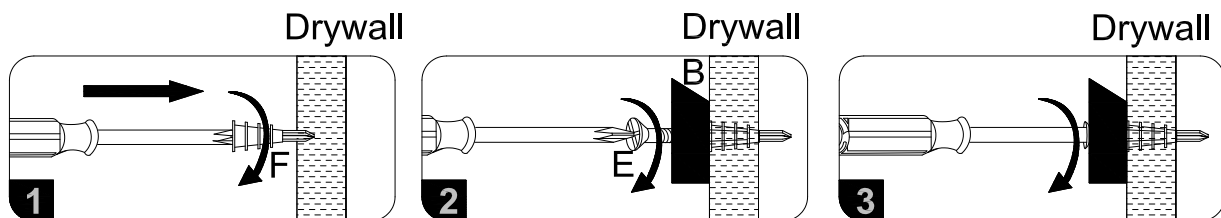
Attach French Cleat (B) to Studs in wall in 4 locations using
wood screws (D)



Step 6

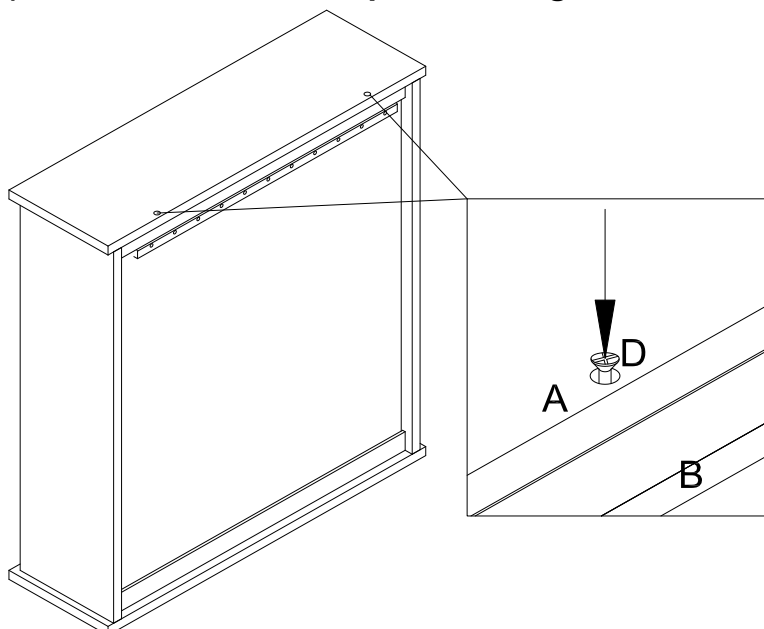
If hole locations do not align with stud in wall, install the EZ Anchor(F) in to
drywall by tapping it in to the predrilled pilot holes up to the thread, and
then screwing the EZ Anchor in to the drywall. Attach Cleat (B) using
wood screw (E) to EZ Anchors.

NOTE: Cleat could be secured using combination of Studs and EZ Anchors.



Step 7:

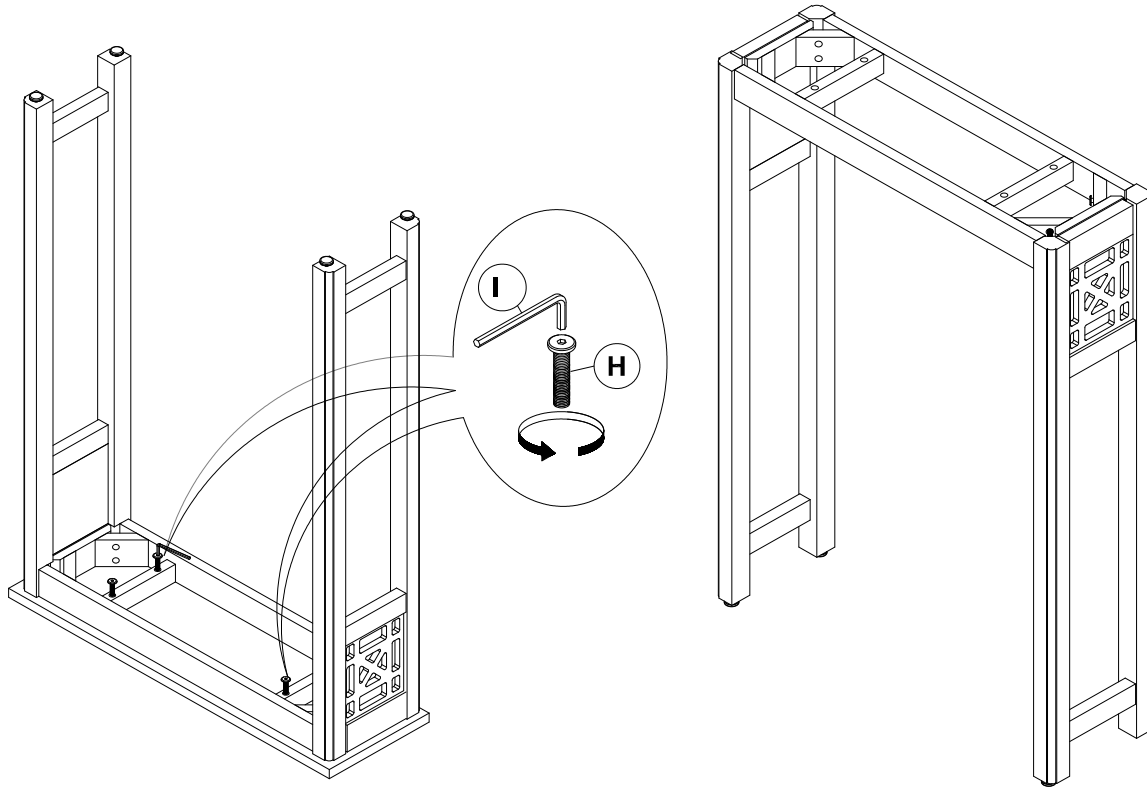
Hang Shelf(A) on cleat. Secure in 2 places using wood screw (D).



To attach Over Toilet Hutch with Doors on optional Over Toilet Shelf
(ANDE72WH)

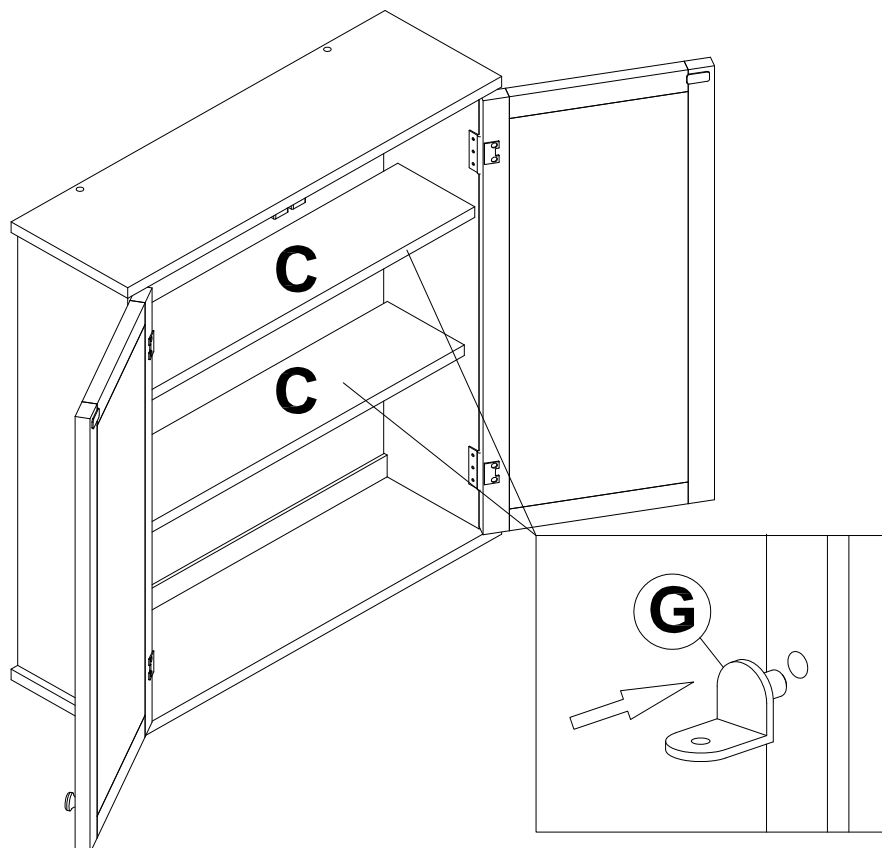
Step1

Remove Table Top of Over Toilet Shelf by unscrewing 4 pre-installed Hex Bolts(H)



Step2

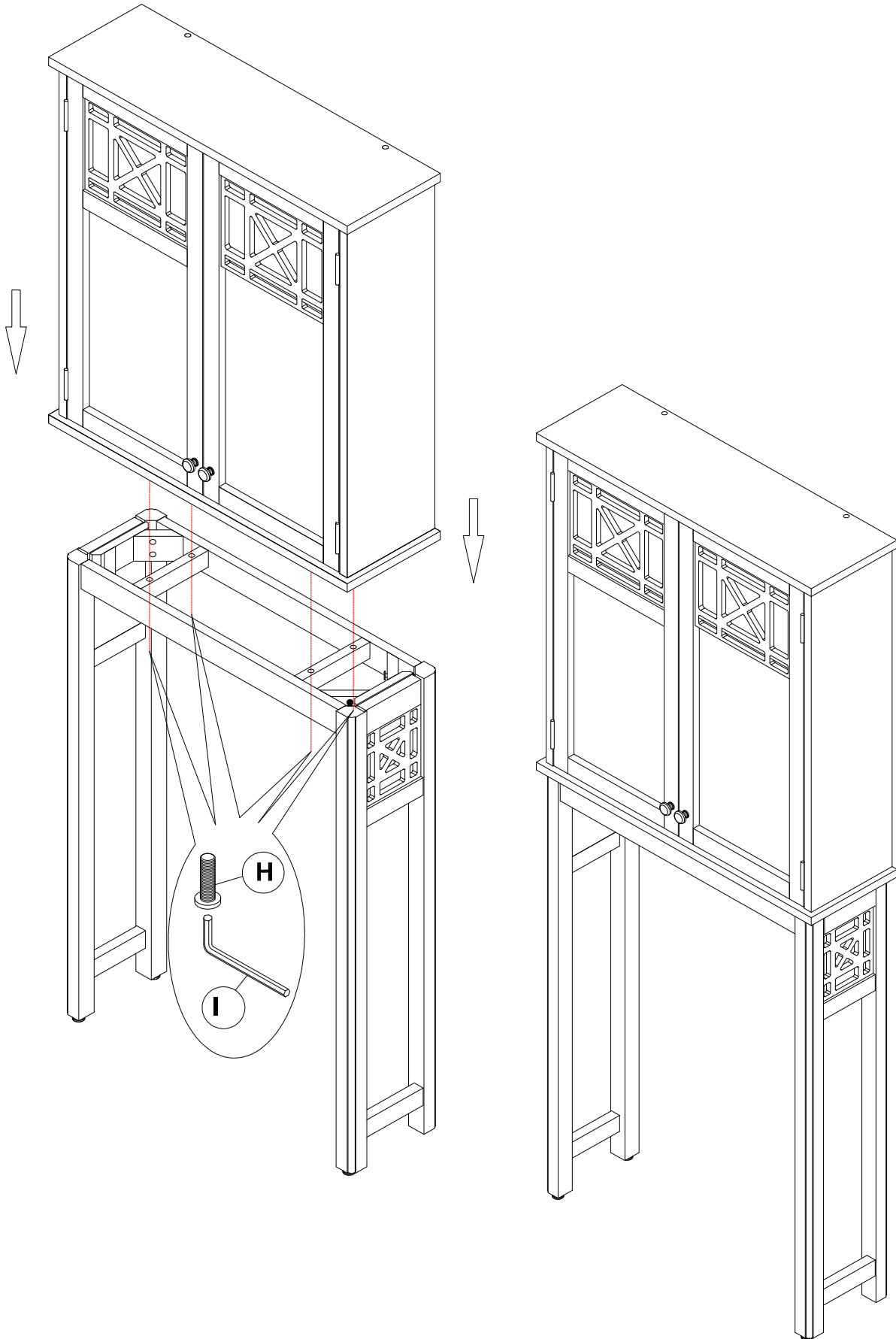
Open the doors of Over Toilet Shelf(A). Insert 8-Shelf Clips(G) in holes on Side Frames. Set Shelves (C) on Shelf Clips(G)




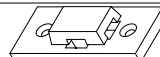

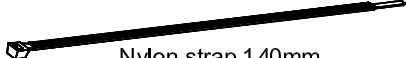
Step3

Attached Over Toilet Hutch with Doors(A) on Over Toilet Shelf using 4-M6x45mm Hex Bolts(H).

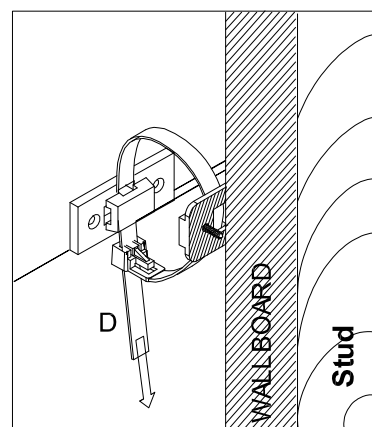
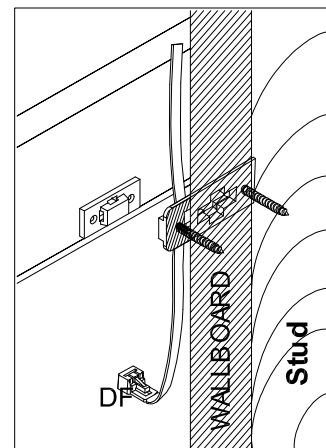
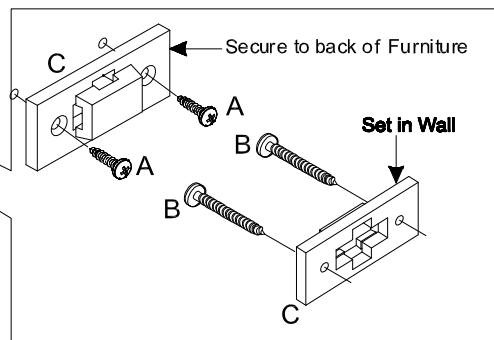
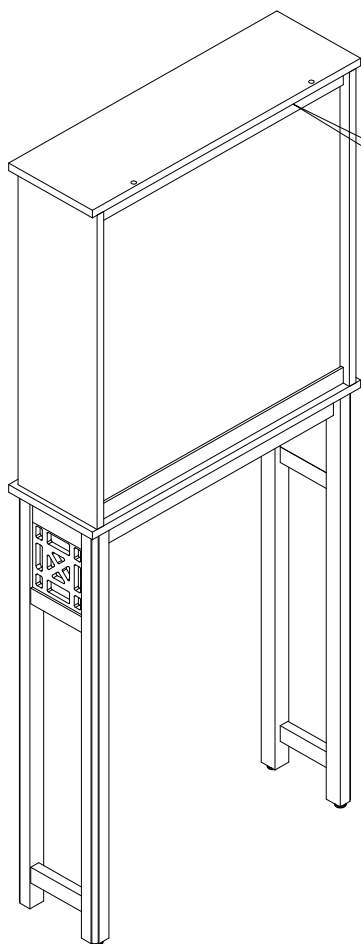
Note: Tighten all bolts at this time!



"J" Anti-Tip Bag

A	 4x14 Screw	02	C	 Plastic wall bracket	02
B	 4x35 Screw	02	D	 Nylon strap 140mm	01

Secure to Stud behind Wallboard



Secure to Stud behind Wallboard!

