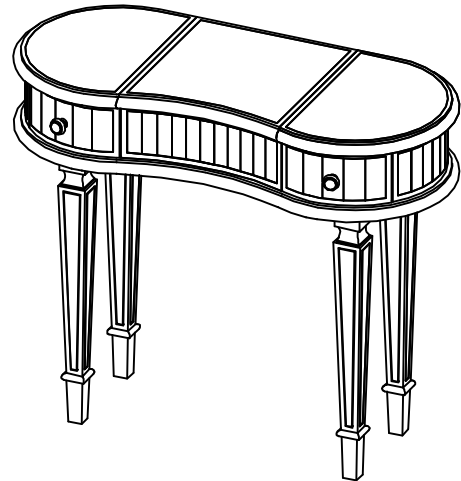


PACKAGE

- (A) 1-Vanity Top
- (B) 4-Legs

HARDWARE

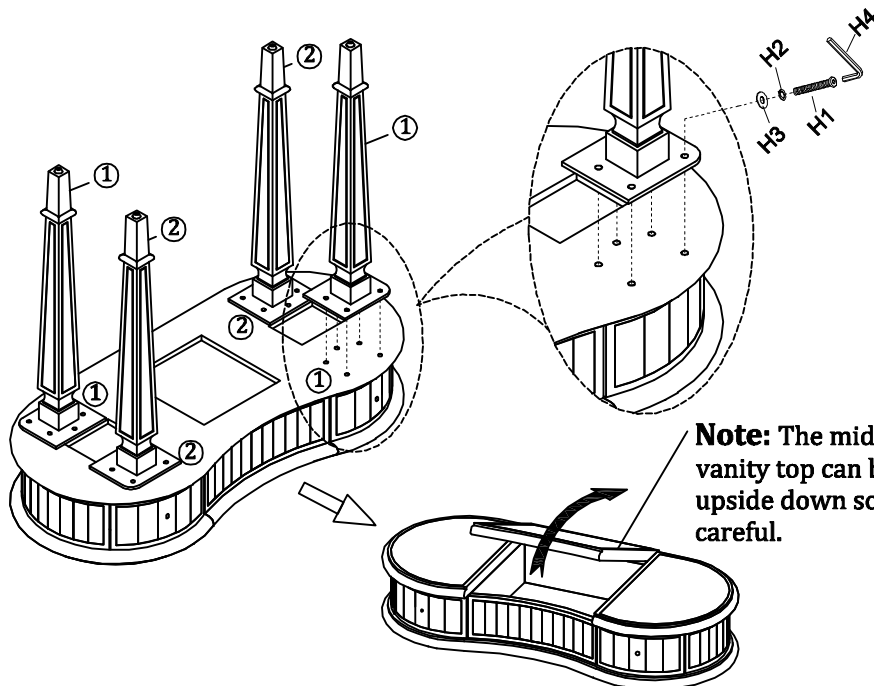
- (H1) 20-Bolts
- (H2) 20-Lock Washers
- (H3) 20-Flat Washers
- (H4) 1-Allen Wrench
- (H5) 2-Knob
- (H6) 2-Screw
- (H7) 2-Plastic washer



Read all instructions before starting assembly.

Step#1 Assemble the vanity top upside down on a flat, plain and soft surface.

Step#2 Insert each leg into the holes on the bottom of vanity top following the label "1,2" on the each leg and bottom of vanity top accordingly using bolts (H1), lock washers (H2) and flat washers (H3) as shown below. Securely tighten all bolts with Allen wrench (H4).



Step#3

- 1) Turn the assembled vanity to an upright position.
- 2) Put the drawers back into the boxes as shown below.
- 3) Attach the knobs(H5) to the front of drawers using screws(H6) and plastic washer(H7) as shown below.
- 4) Assembly is complete. Failure to follow these instructions may cause the bolts to misalign during assembly.

Step#4

Keep this instruction for future reference.

