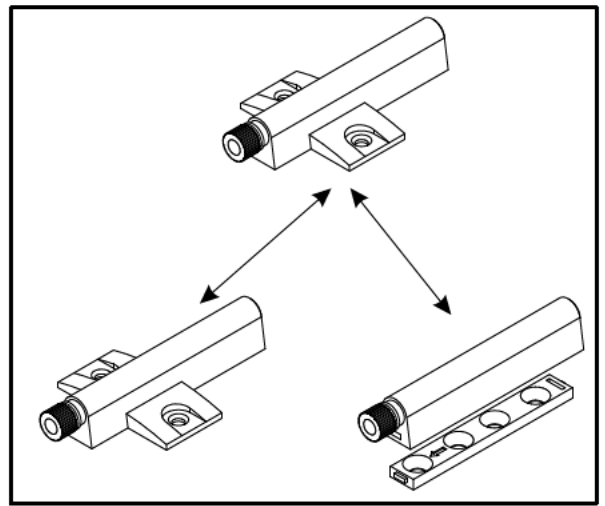
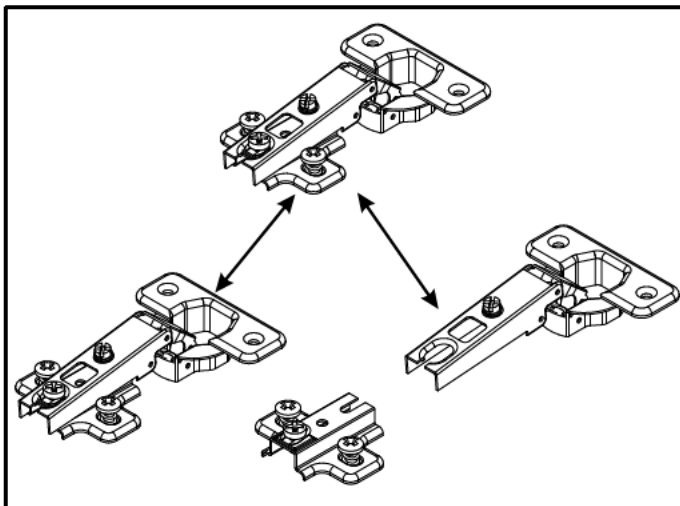
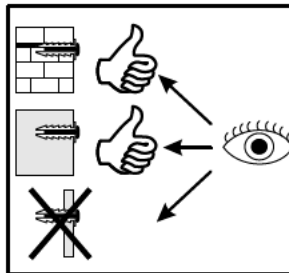
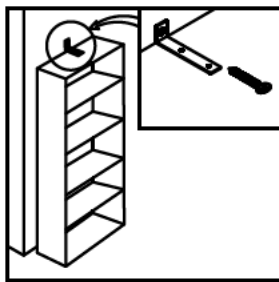
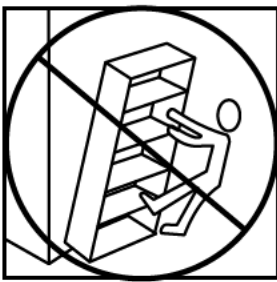
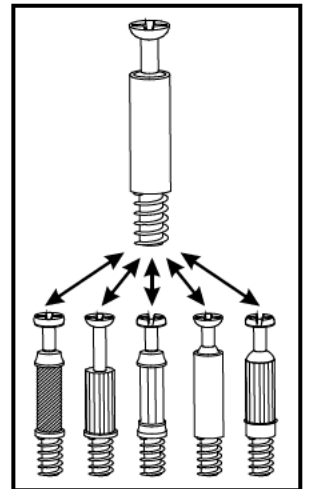
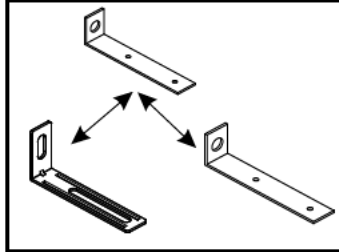
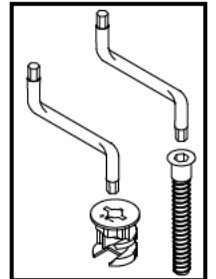
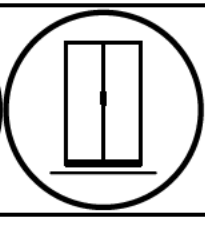
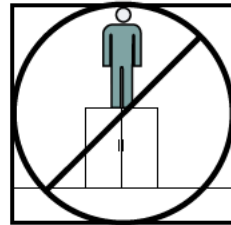
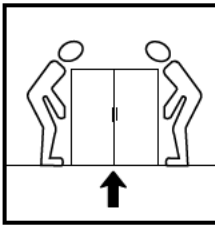
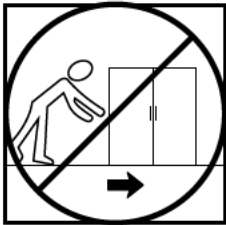
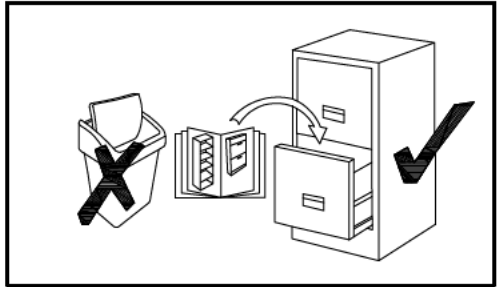
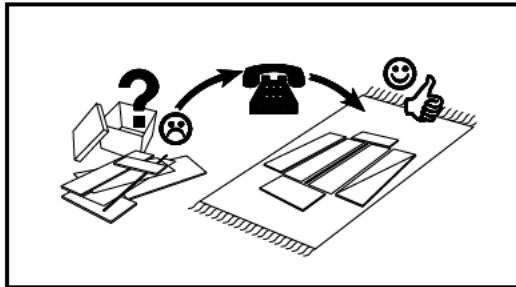
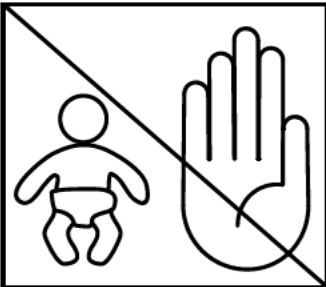
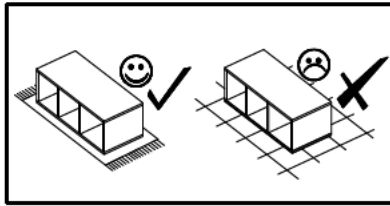
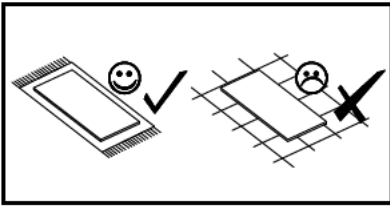
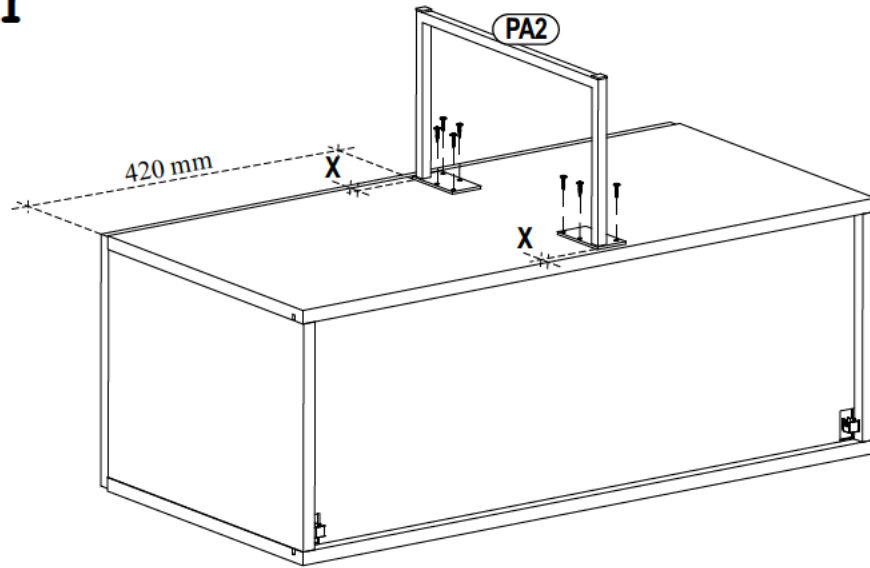

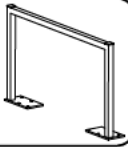


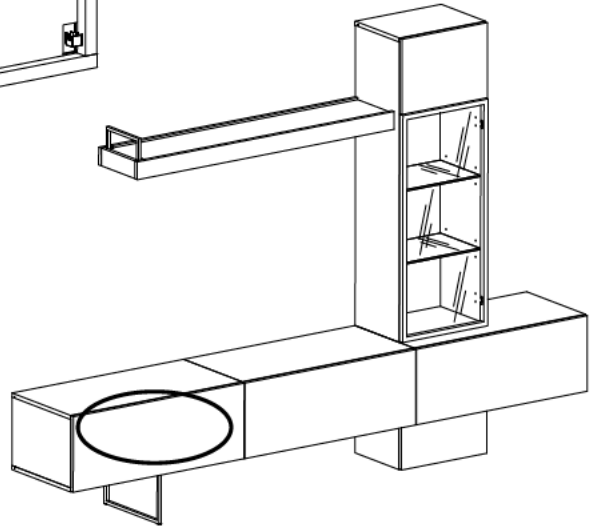
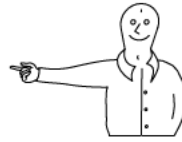
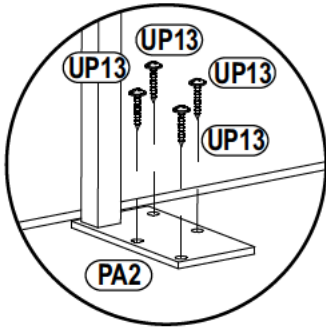
45 min



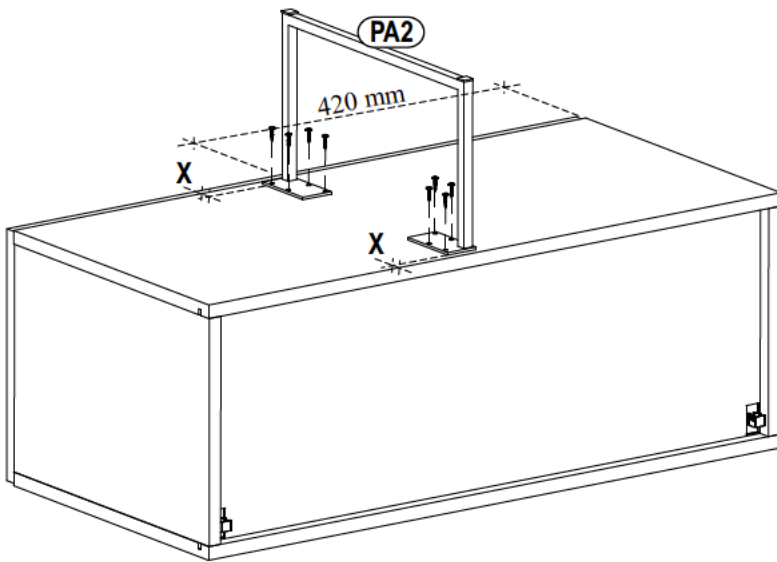
1





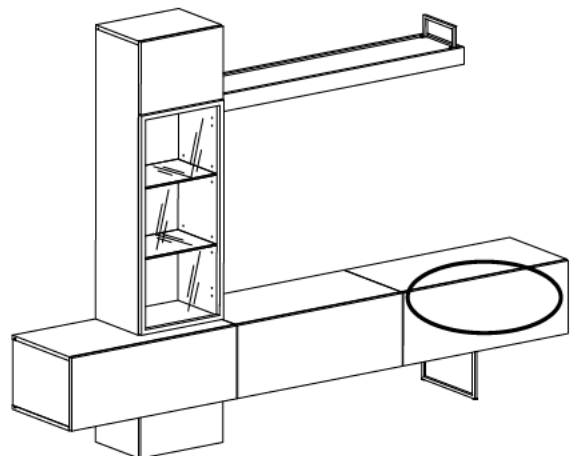
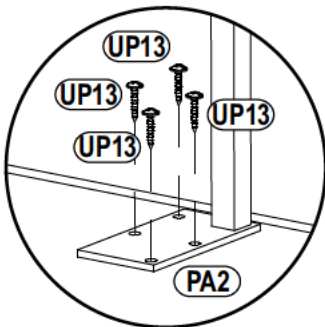
UP13	 UPØ3x16	PA2	
x8		x1	



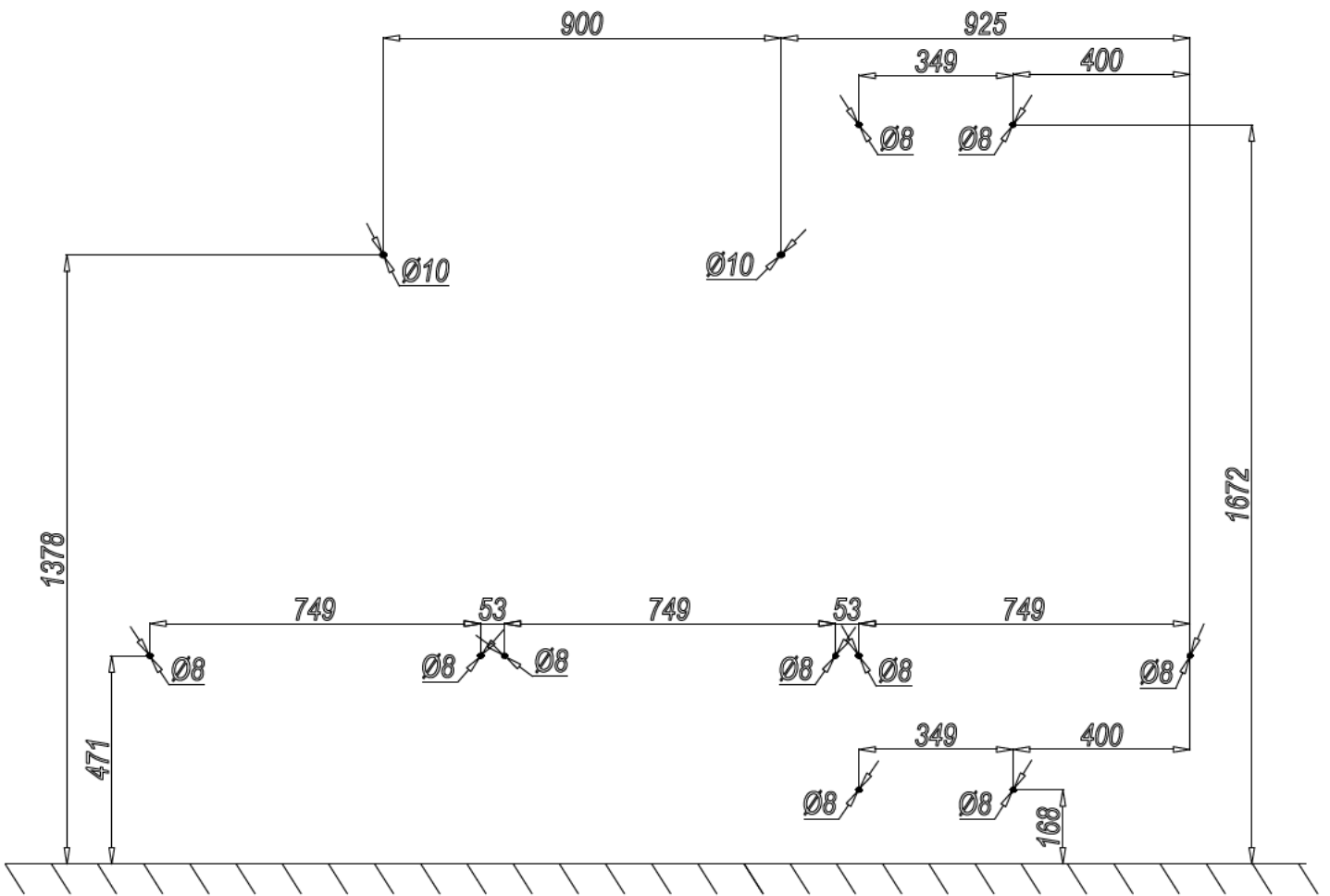
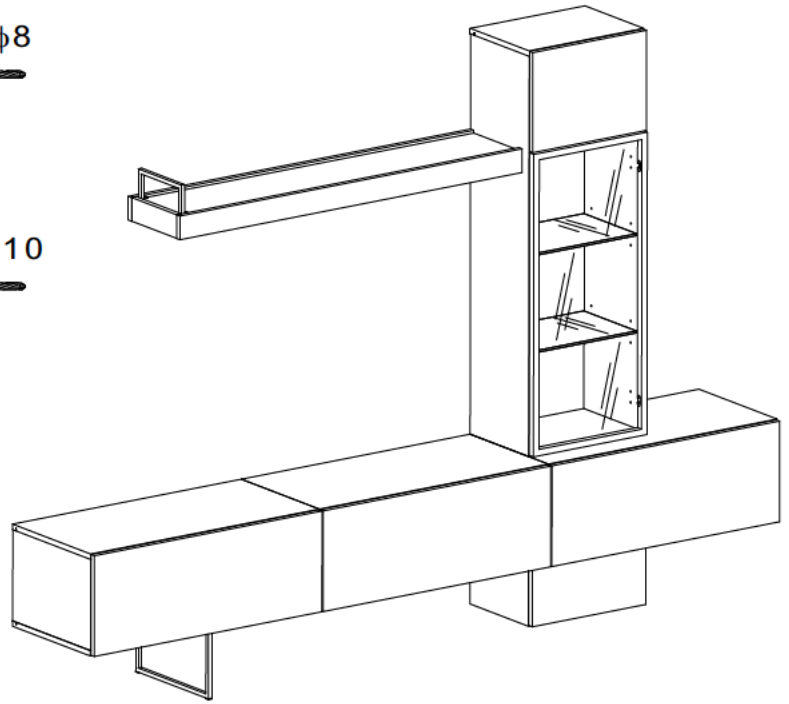
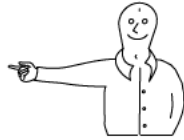
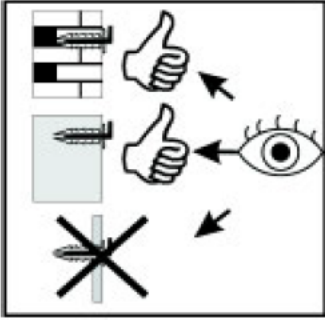
2



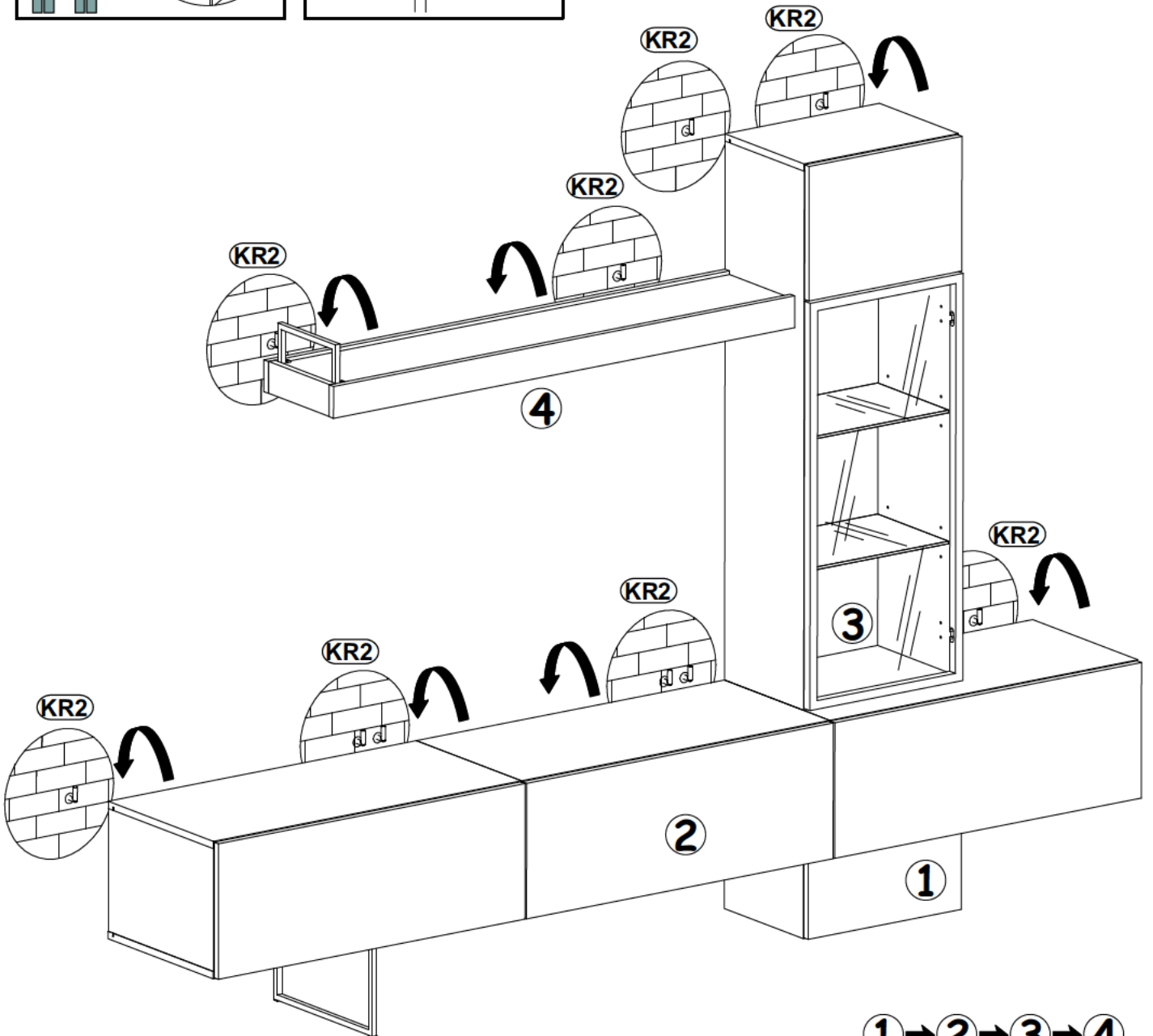
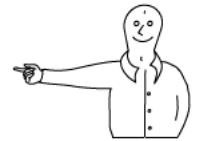
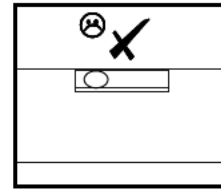
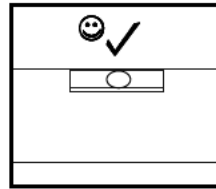
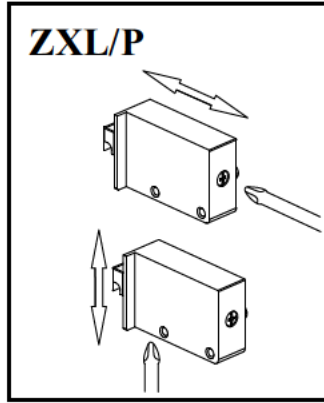
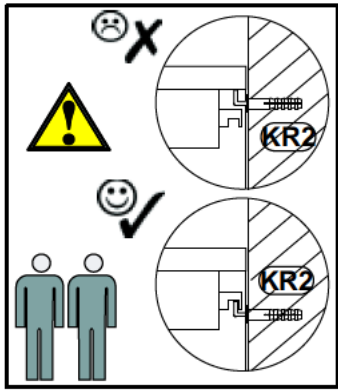
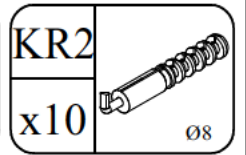
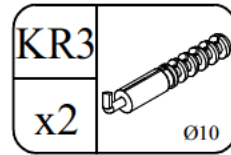
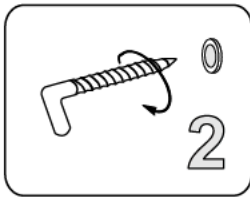
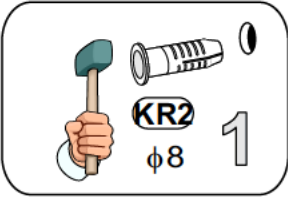
UP13	 UPØ3x16	PA2	
x8		x1	



3

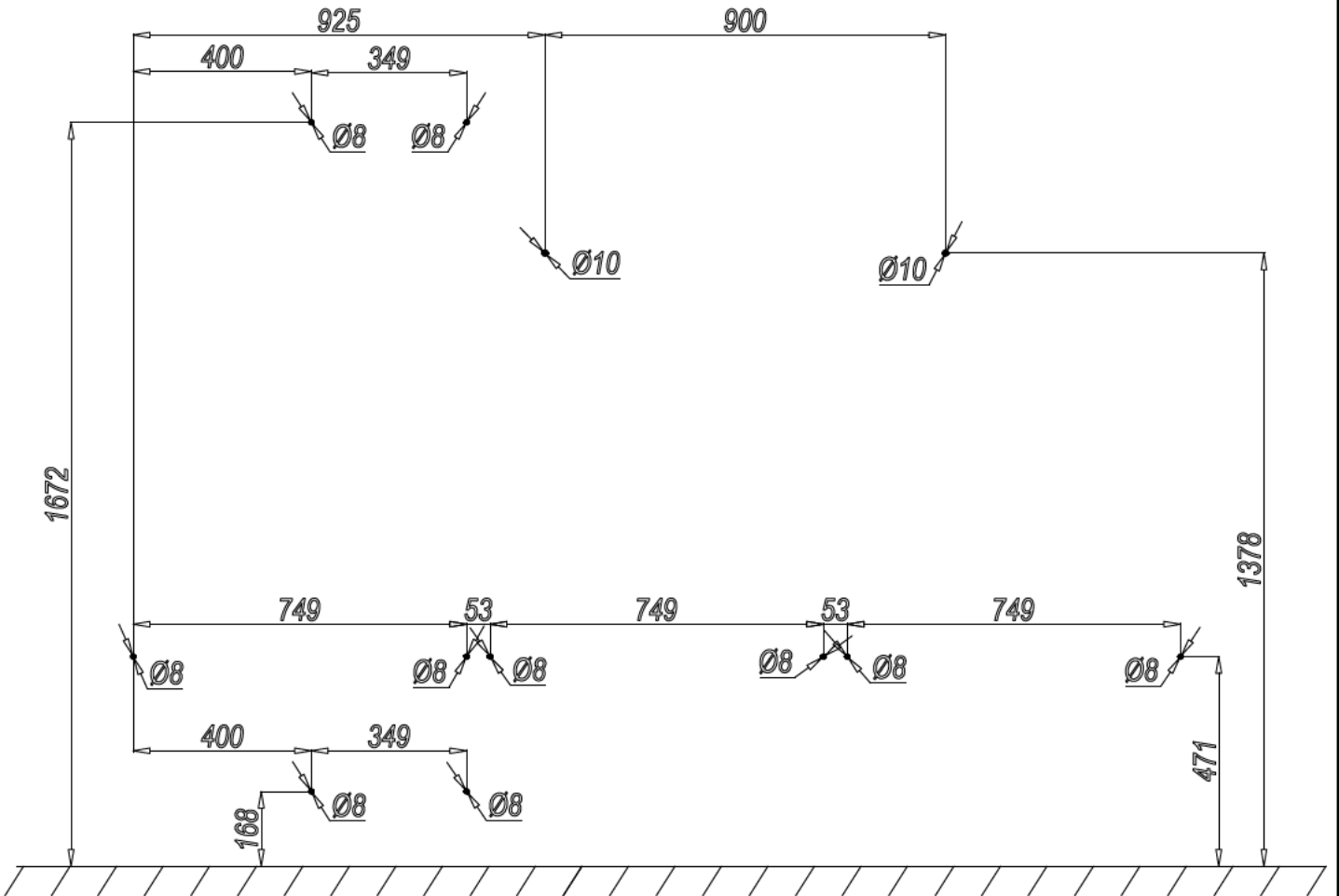
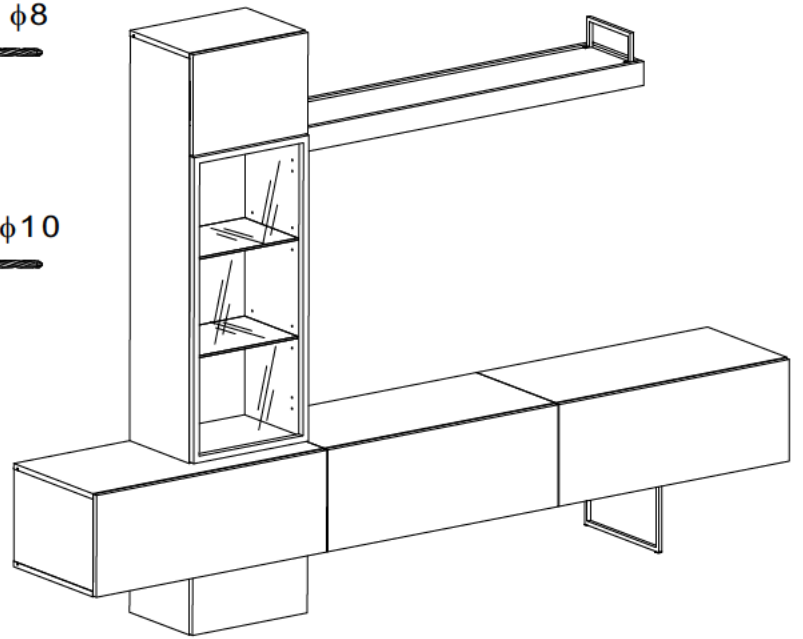
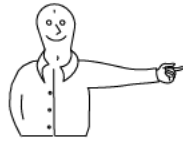
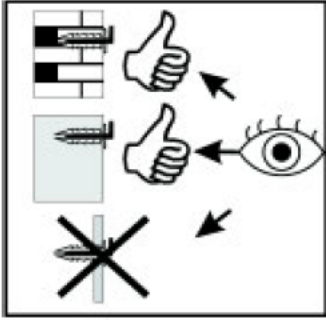


4

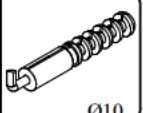
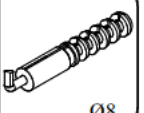


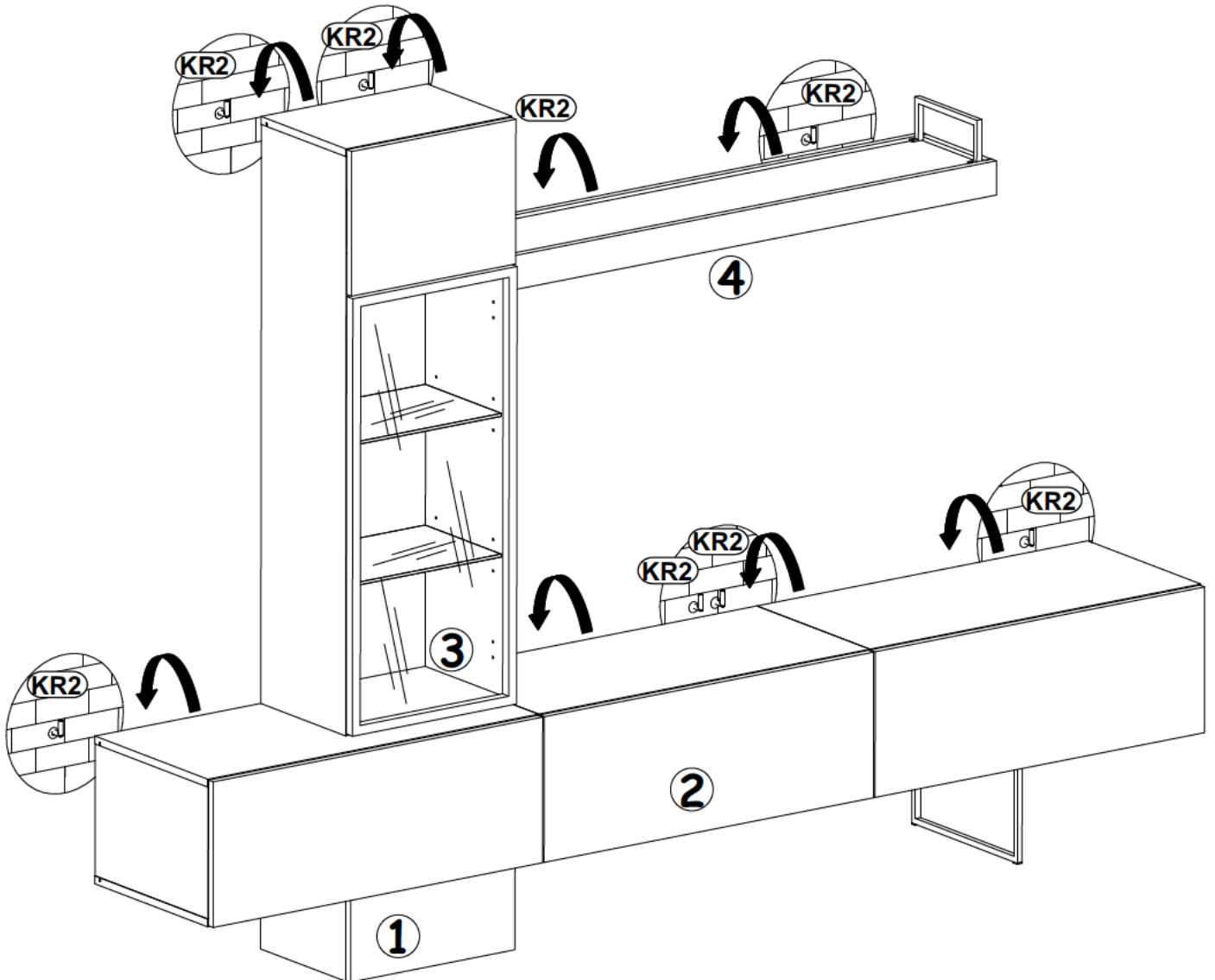
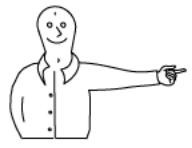
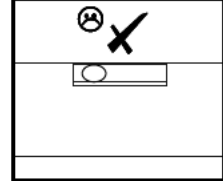
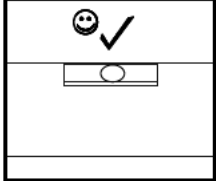
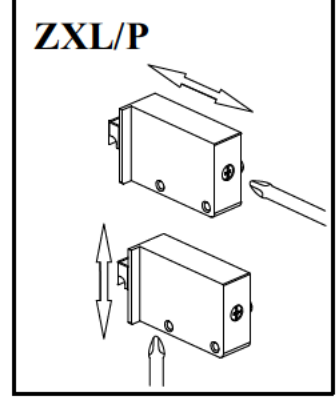
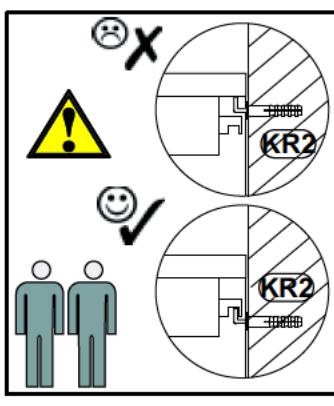
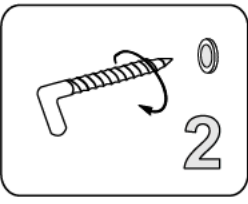
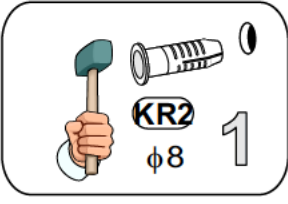
① → ② → ③ → ④

5



6

KR3		KR2	
x2	Ø10	x10	Ø8



1 → 2 → 3 → 4