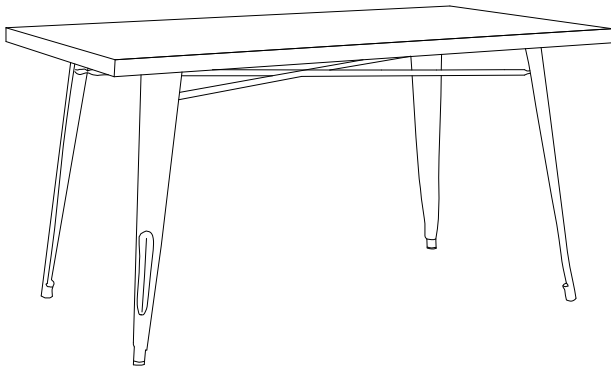


TABLE

Thank you for purchasing the **TABLE!**

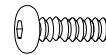
Before you start, here is some helpful advice:

1. We suggest you spend a short time reading through this leaflet and then follow the simple step by step instructions.
2. Owing to the size and weight of the table, we recommend that it is assembled by two adults, on a carpeted or padded area, in the room that it is intended for. Approximate assembly time: 30 minutes.
3. Please do not use any tools other than those provided or recommended in these instructions.
4. Please do not throw away any of the packaging or instructions until you have checked all the components and hardware and the furniture is fully assembled.
5. Assemble all components loosely until advised to tighten. Depending on use, it may be necessary to tighten the components from time to time, so please save the tools that have been provided.
6. Please keep all pieces out of reach of small children.



Hardware:

A



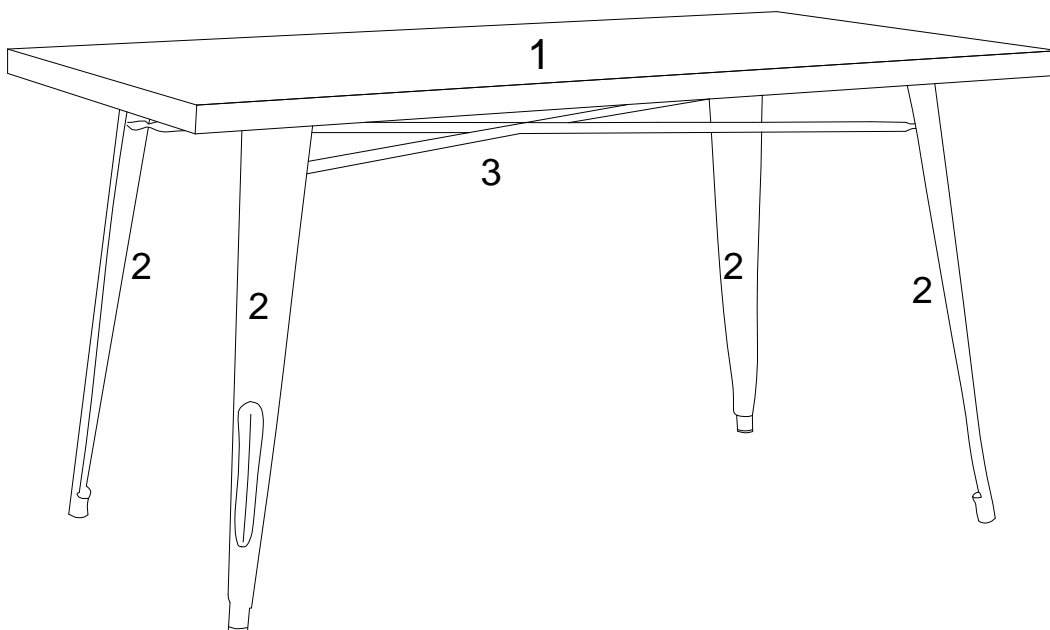
Bolt M6x14mm x 16

B



Allen Wrench M6 x 1

Component:



1 Table Top x1

2 Table Leg x4

3 X Support x1

TABLE

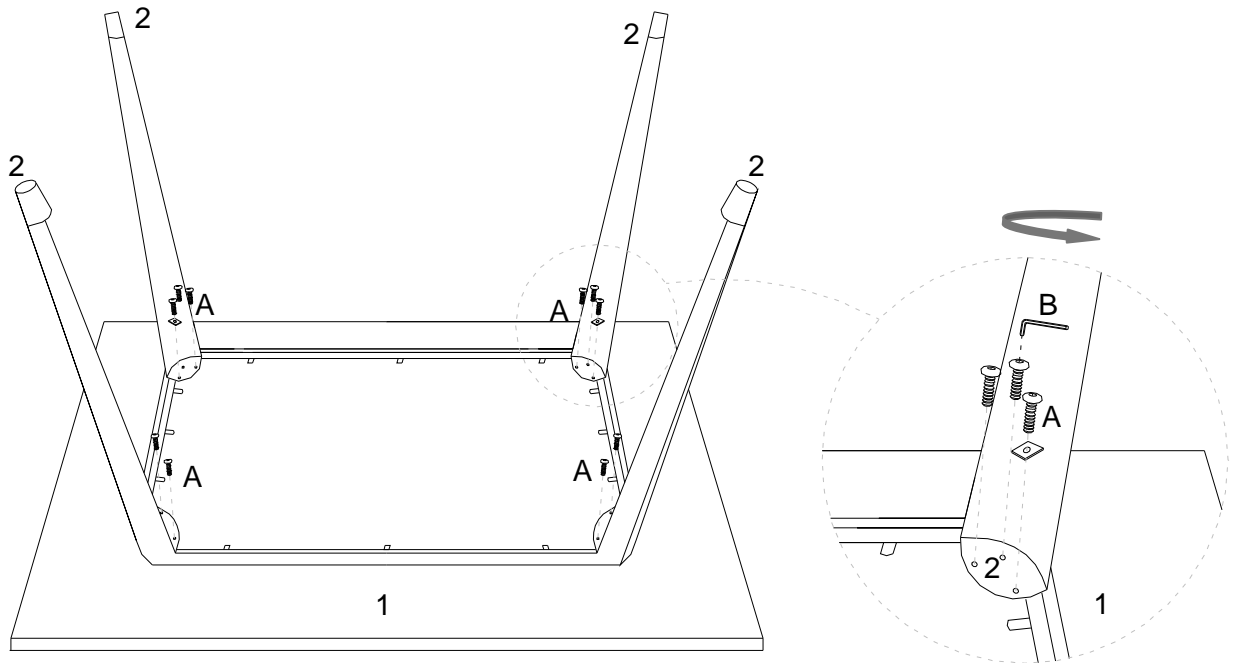
STEP 1:



Put the **Table Top (1)** upside down on a carpeted or padded area.

Attach one piece of **Table Leg (2)** to the bottom of **Table Top (1)** by using 3 piece of **Bolt (A)** as shown.

Repeat the same steps for the remaining three **Table Legs (B)**.

Use **Allen Wrench (B)** to tighten the **Bolts (A)**, Do not full tighten the bolts at this step.



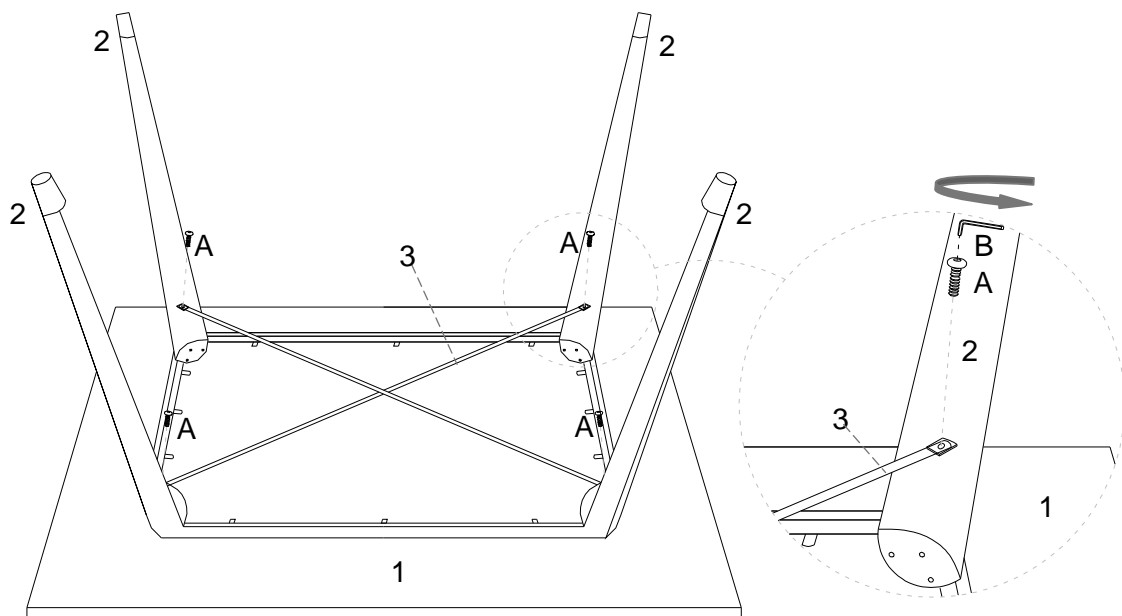
	
Ax12	Bx1

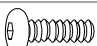

Hardware & Tool required

STEP 2:

Attach the **X Support (3)** to the **Table Legs (2)** by using 4 piece of **Bolt (A)** as shown.

Use **Allen Wrench (B)** to tighten all the **Bolts (A)** from step 1 and step 2 clockwise until secure.



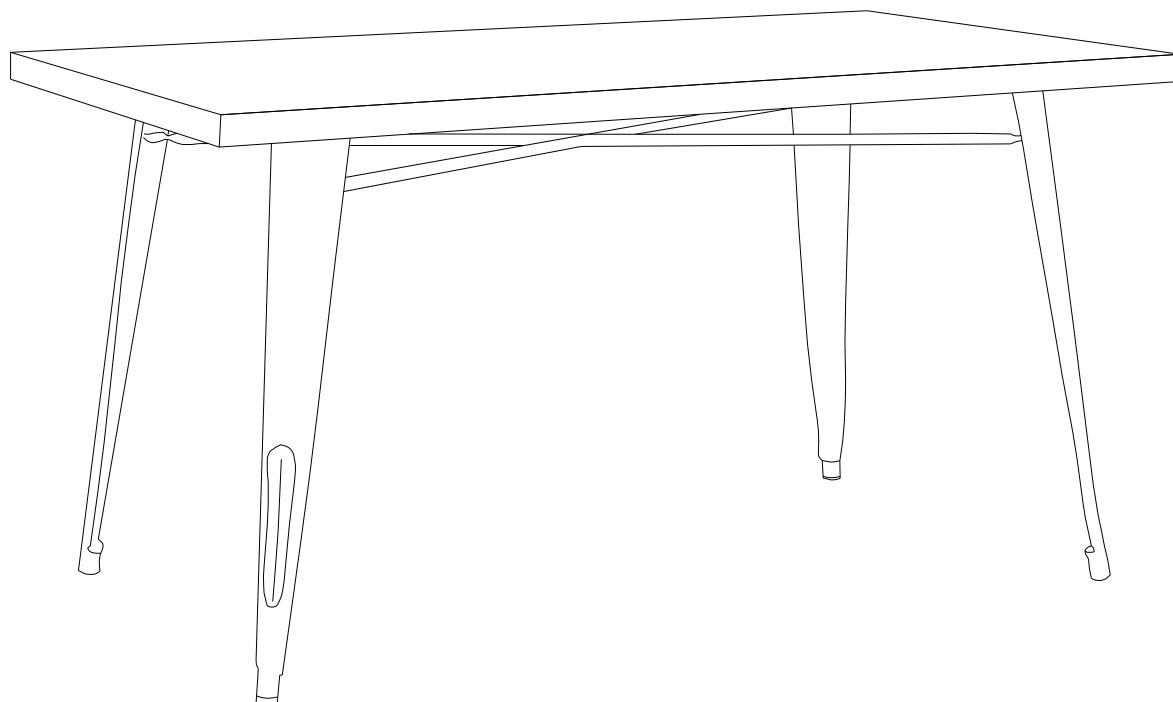
	
Ax4	Bx1

Hardware & Tool required

TABLE

STEP 3:

Carefully turn over the table.



Assembly is completed. The table is ready to enjoy now!