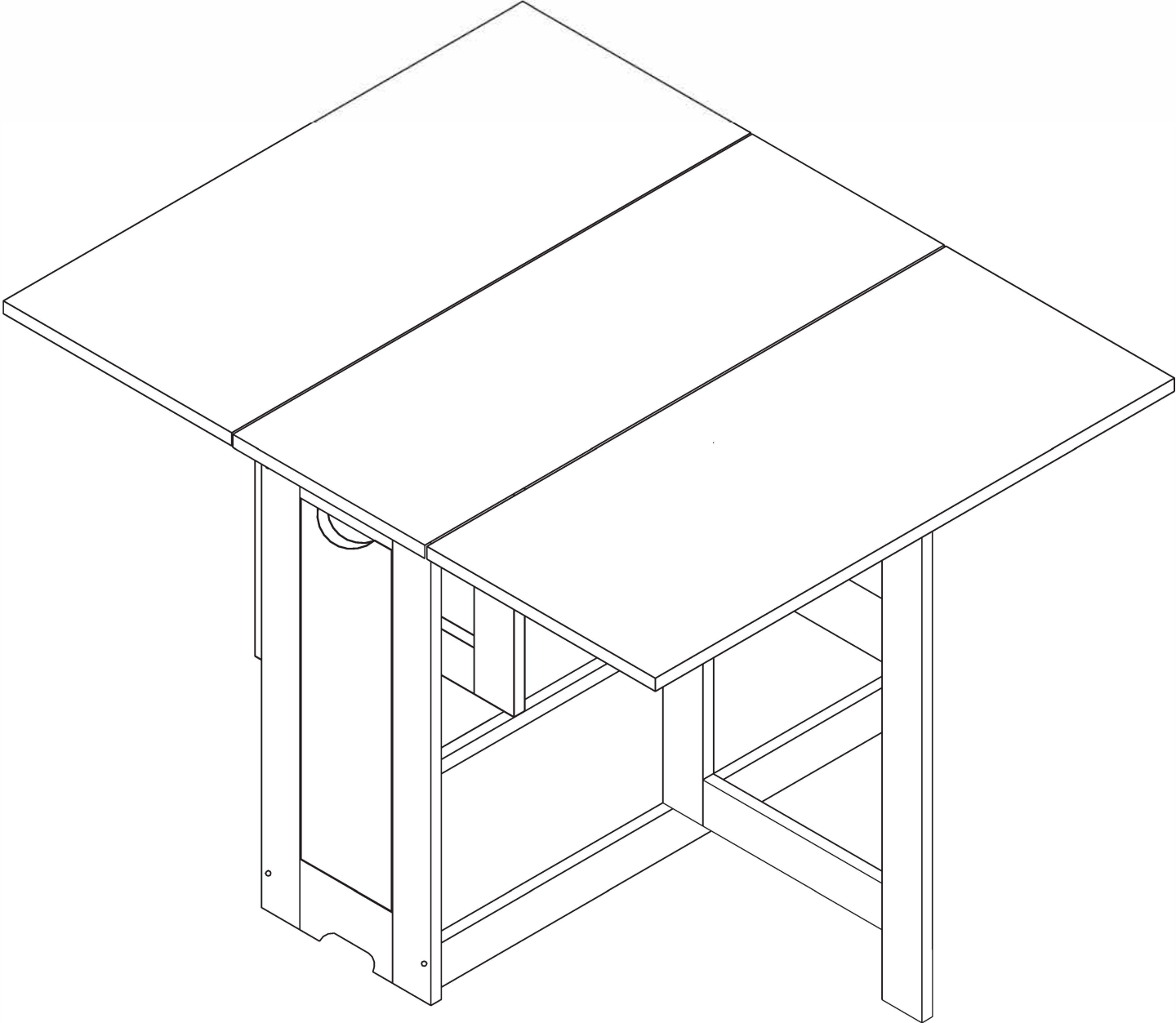


DROP LEAF FOLDING DINING SET 5 PIECES

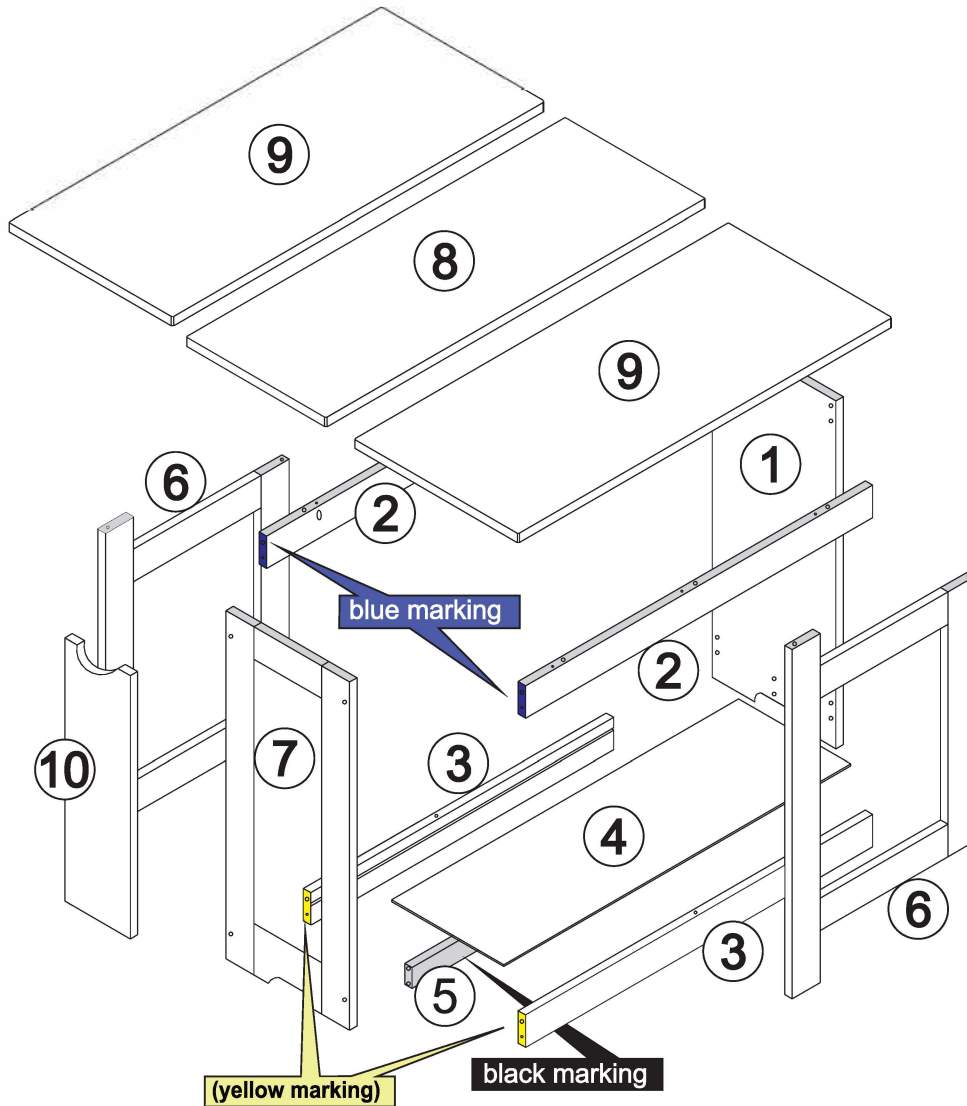
ASSEMBLY INSTRUCTIONS



IMPORTANT
PLEASE READ BEFORE YOU CONTINUE FURTHER
FOR DOMESTIC USE ONLY
CARE AND MAINTENANCE

- After unpacking this product please keep the original packaging in case it needs to be returned for any reason.
- Please ensure all fittings and parts are present before commencing with assembly.
- We recommend that you lay a blanket or sheet on the floor to avoid damage to both your floor and the product.
- We strongly recommend that you keep children away from your work area.
- Assemble this product as close to its final position as possible
- Never drag or push products as this could cause damage to the joints making it inferior.
- Do not drag or push items across your furniture as this may cause the surface to scratch.
- Do not place this product next to radiator or in direct sunlight.
- Wood is a natural product and may expand if subjected to damp and may shrink or crack if subjected to heat. Therefore it is recommended that room temperature is maintained, with no sudden temperature fluctuations.
- Make sure any spillage is Wiped off immediately.
- Do not place hot or chilled items directly on to the surface, use a place mat or marking will occur.
- For general cleaning use soft cotton or micro fibre cloth and do not use detergents of any kind.
- Do not place on a wet or damp floor as staining may occur to your floor.
- From time to time it may be necessary to tighten fittings, regular inspections should be carried out.

HOW TO ASSEMBLY THIS PRODUCT



Please Note:







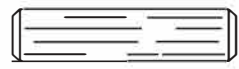




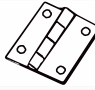






The parts below have been stamped with the part number/color to help identify them during assembly

Parts List

Part Number	Part Description	Quantity
1	BACK PANEL (NUMBER 1)	1
2	UPPER FRAME (BLUE MARKING)	2
3	LOWER CROSSBEAM (YELLOW MARKING)	2
4	BASE (NUMBER 4)	1
5	BASE SUPPORT (BLACK MARKING)	1
6	TOP SUPPORT (NUMBER 6)	2
7	FRONT FRAME (NUMBER 7)	1
8	CENTRE TOP PANEL (NUMBER 8)	1
9	SIDE TOP PANEL (NUMBER 9)	2
10	DOOR (NUMBER 10)	1

HOW TO ASSEMBLY THIS PRODUCT

FITTINGS

A	 1/+	 Ø7.0 x 50	08	H		01
B	 1/+	 Ø3,5 x 35CP	06	I		02
C	2/+	 Ø8 x 30	18	J		02
D	 1/+	 Ø3,5 x 14	10	K	 1/+	06
E			06	L	 1/+	Ø10 x 10 06
F	1/+		06	M	 2/+	 Ø3,5 x 16 24
G		 GLUE	01	N		01

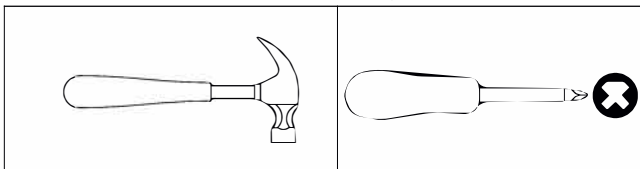


* Use of power tools to assemble this product will invalidate any claim and damage this product making it unsafe !!!
* Please assemble on a clean soft surface to avoid damage.

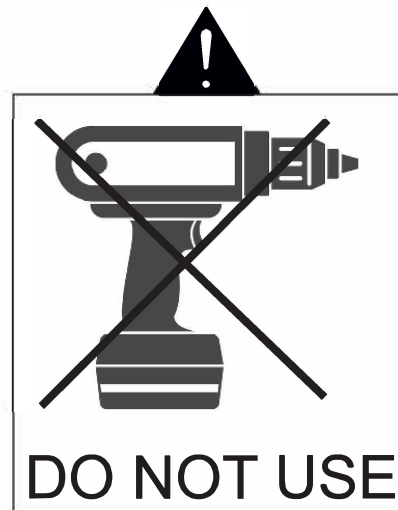
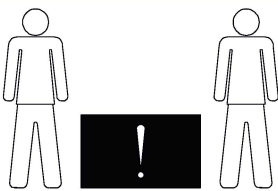
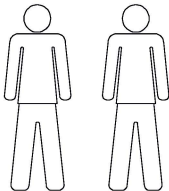


* Please check contents and read the instructions before commencing assembly.
* Assemble this product following the enclosed instructions carefully.
* Please take care to avoid damaging panels during assembly.

TOOLS REQUIRED



1500mm x 1500mm



STEP 1

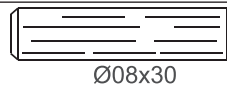
PARTS REQUIRED

2 - UPPER FRAME (BLUE MARKING) x2

3 - LOWER CROSSBEAM (YELLOW MARKING) x2

HARDWARE REQUIRED

C



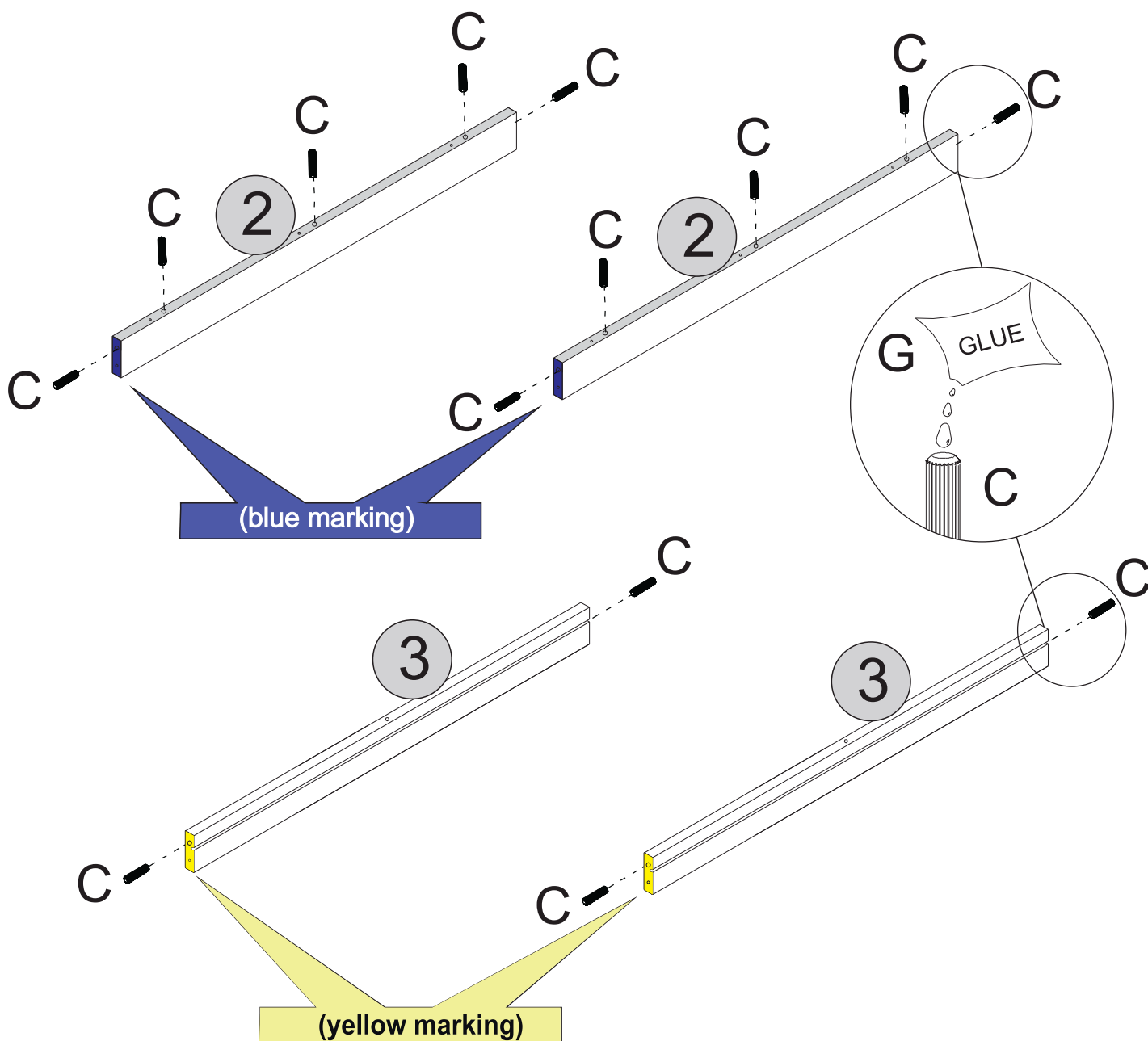
14

Ø08x30

G



GLUE




STEP 2

PARTS REQUIRED

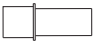
5 - BASE SUPPORT (BLACK MARKING) x1

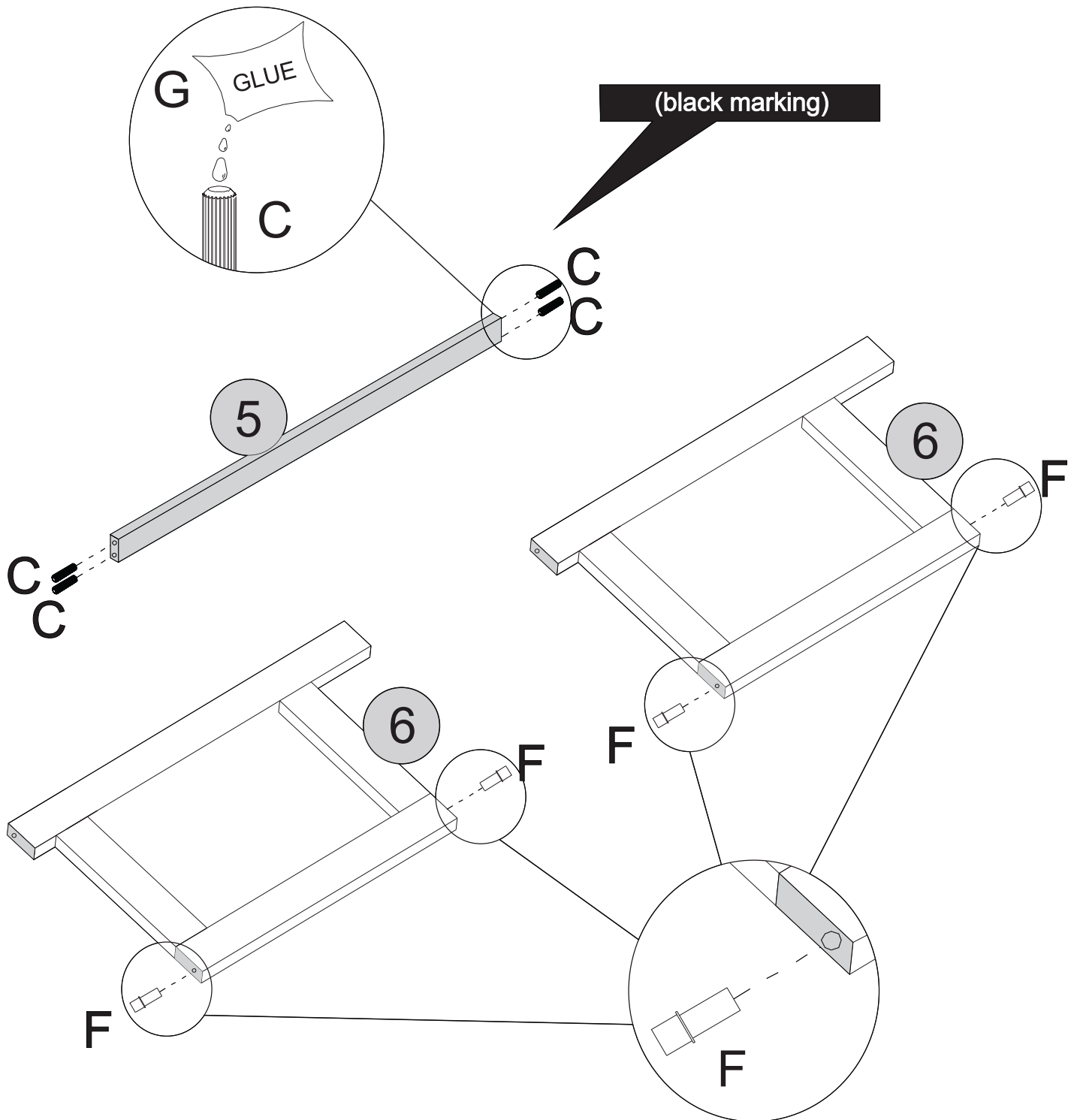
6 - TOP SUPPORT x2

HARDWARE REQUIRED

C  04
Ø08x30

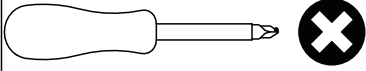
G  GLUE

F  04



STEP 3

TOOLS REQUIRED



PARTS REQUIRED


7 - FRONT FRAME x1

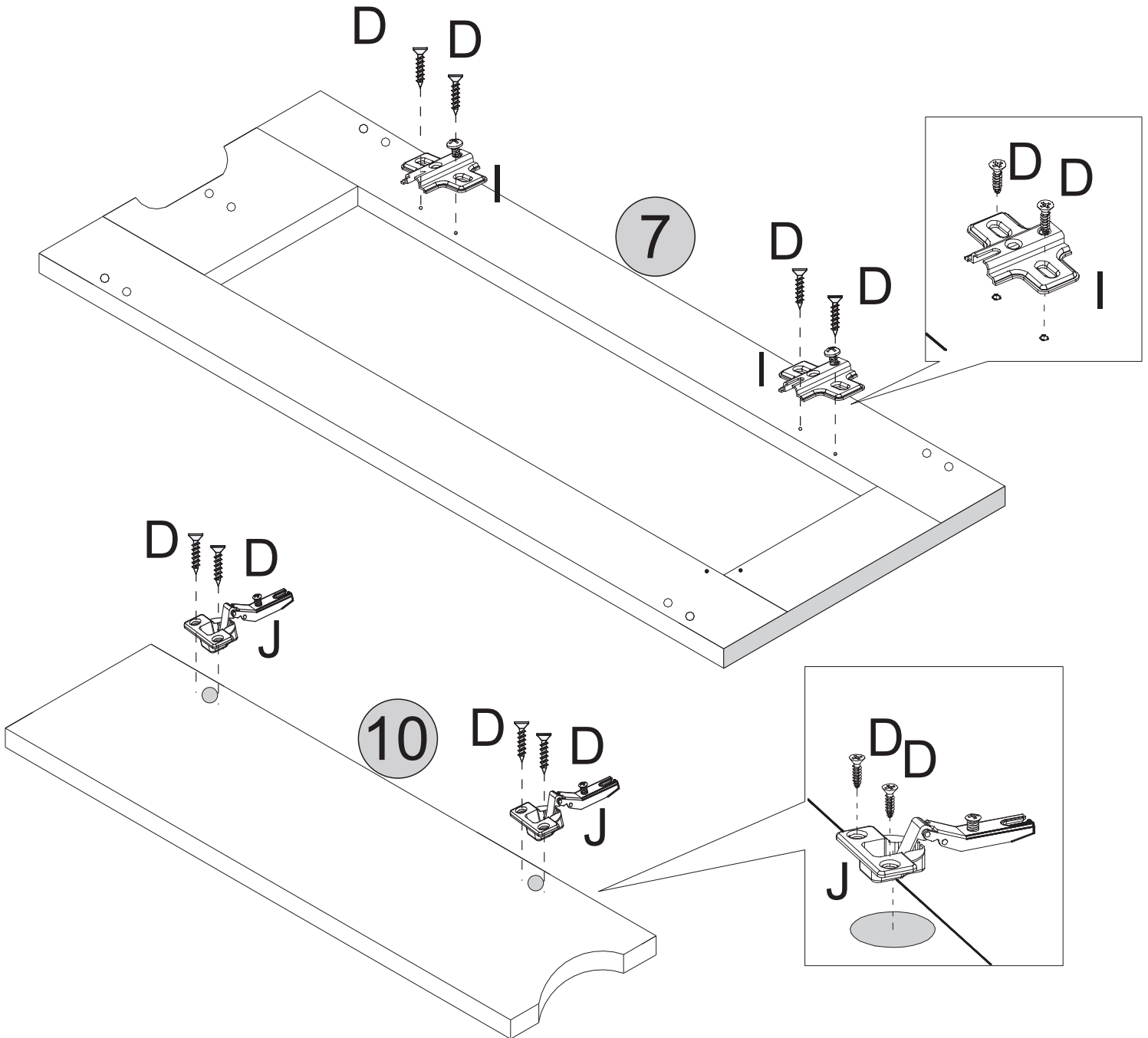
10 - DOOR x1

HARDWARE REQUIRED

D   08
Ø3,5 x 14

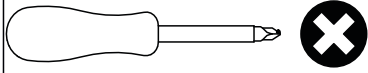
I  02

J  02



STEP 4

TOOLS REQUIRED



PARTS REQUIRED

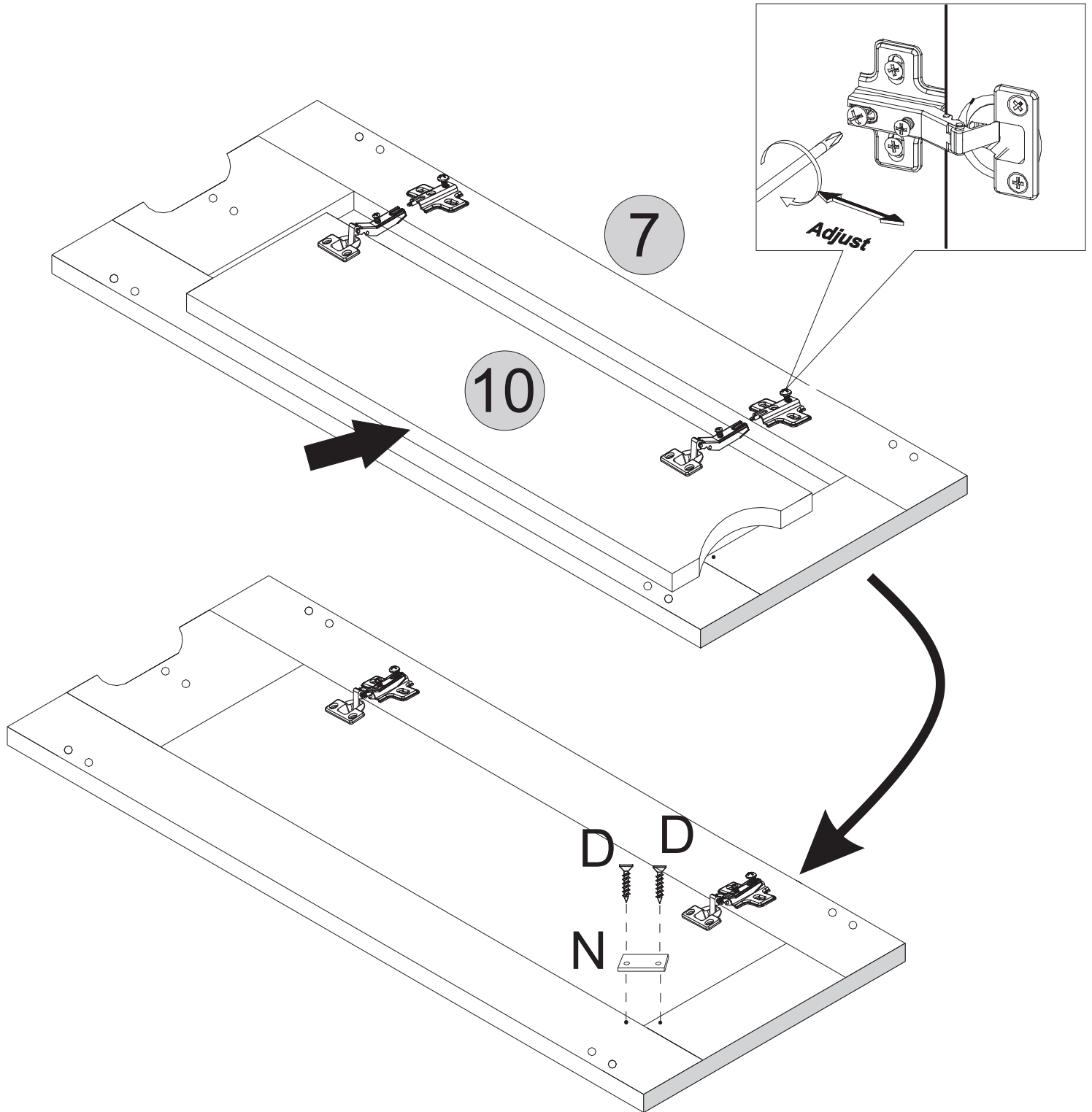
7 - FRONT FRAME x1

10 - DOOR x1

HARDWARE REQUIRED

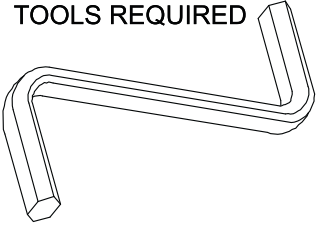
D  $\varnothing 3,5 \times 14$ 02

N  01



STEP 5

TOOLS REQUIRED



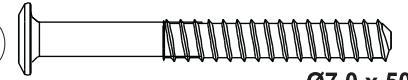
PARTS REQUIRED

1 - BACK PANEL

x1

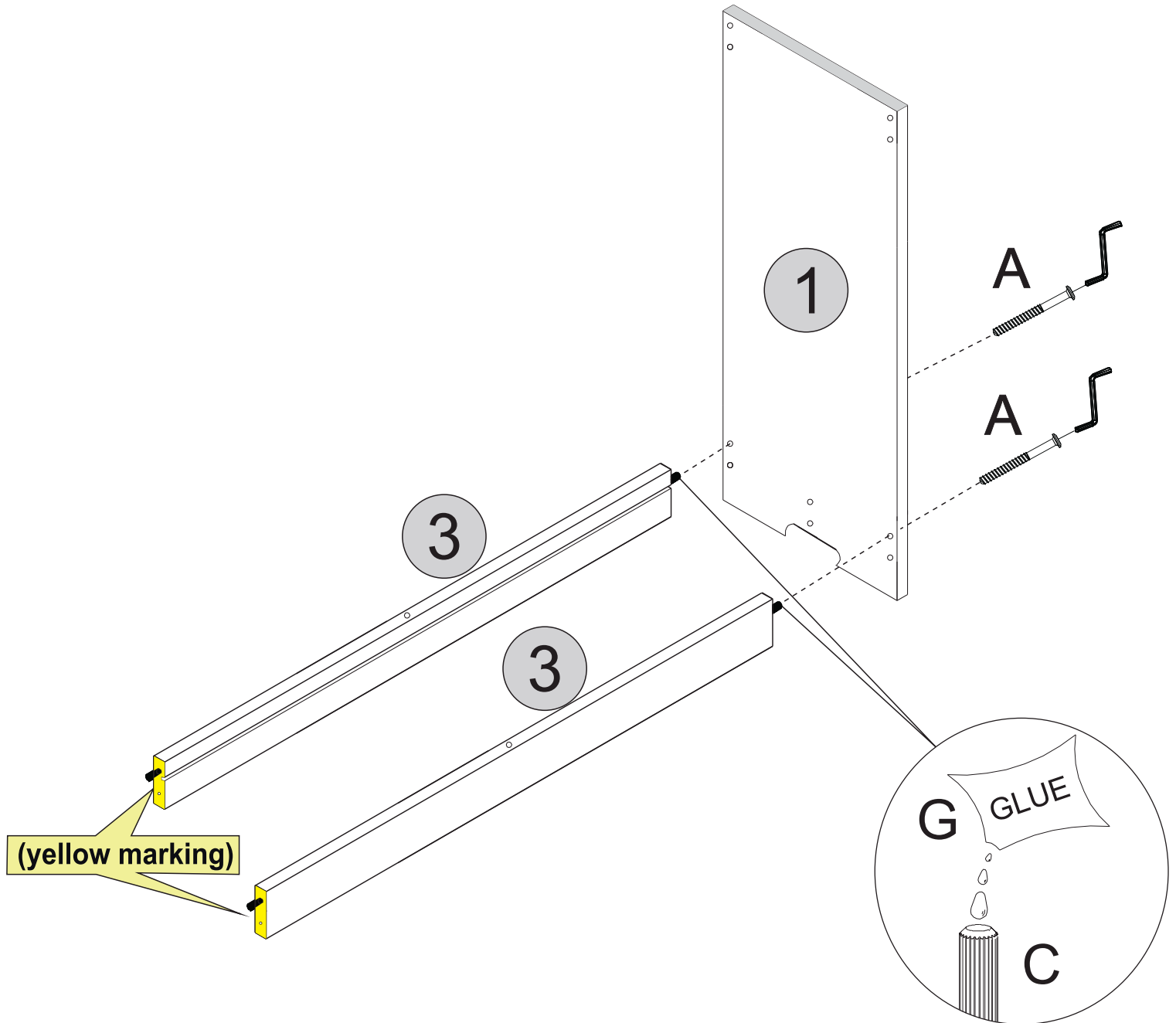
3 - LOWER CROSSBEAM (YELLOW MARKING) x2

HARDWARE REQUIRED



02

Ø7.0 x 50



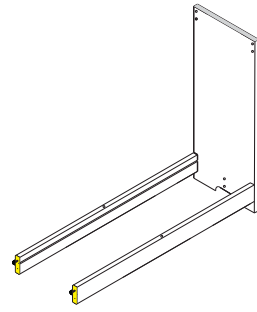
STEP 6

TOOLS REQUIRED

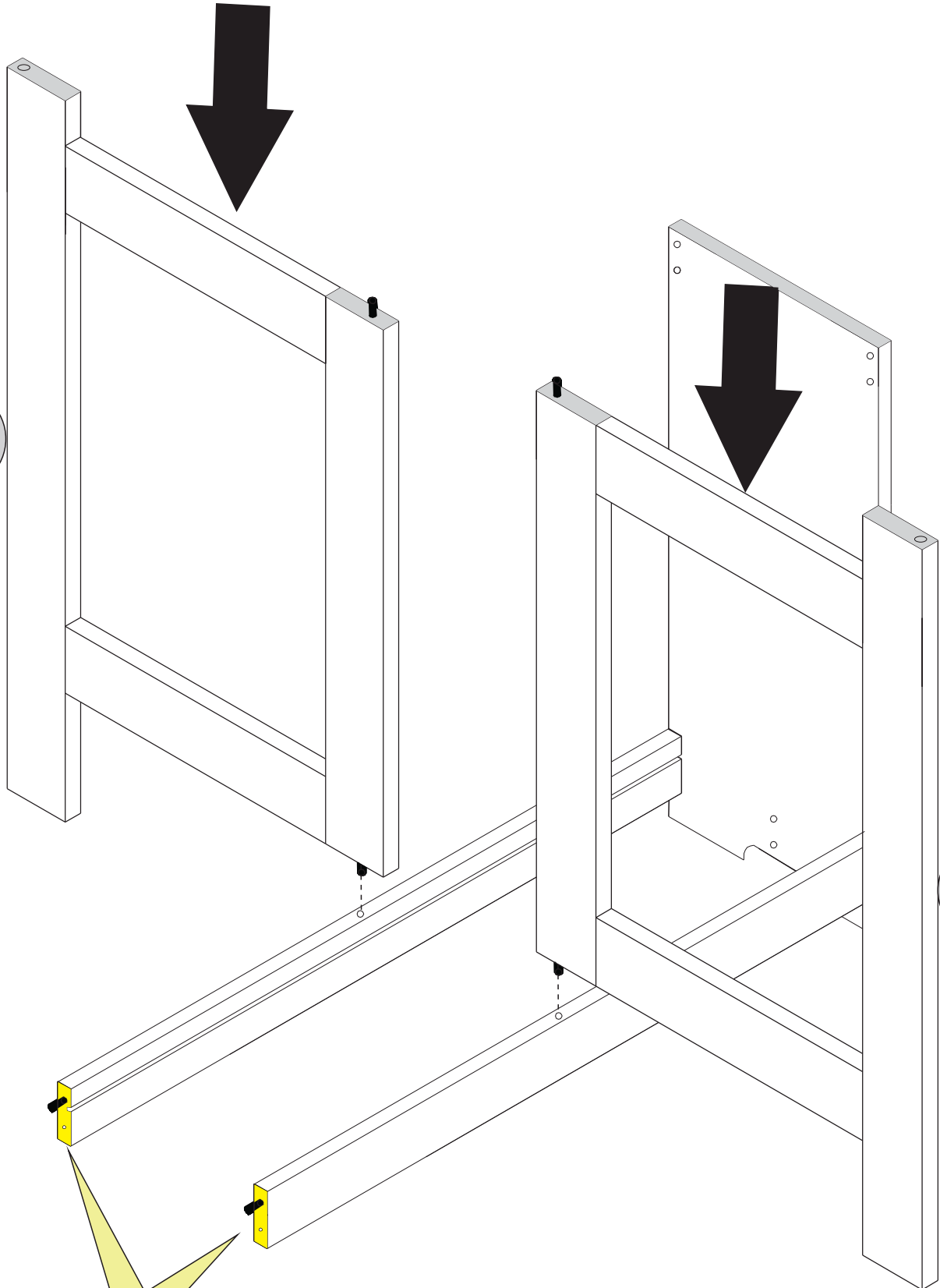
PARTS REQUIRED

6 - TOP SUPPORT

x2



6



(yellow marking)

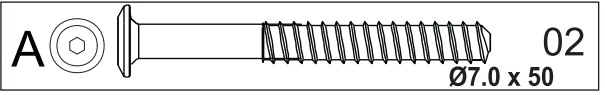
6

STEP 7

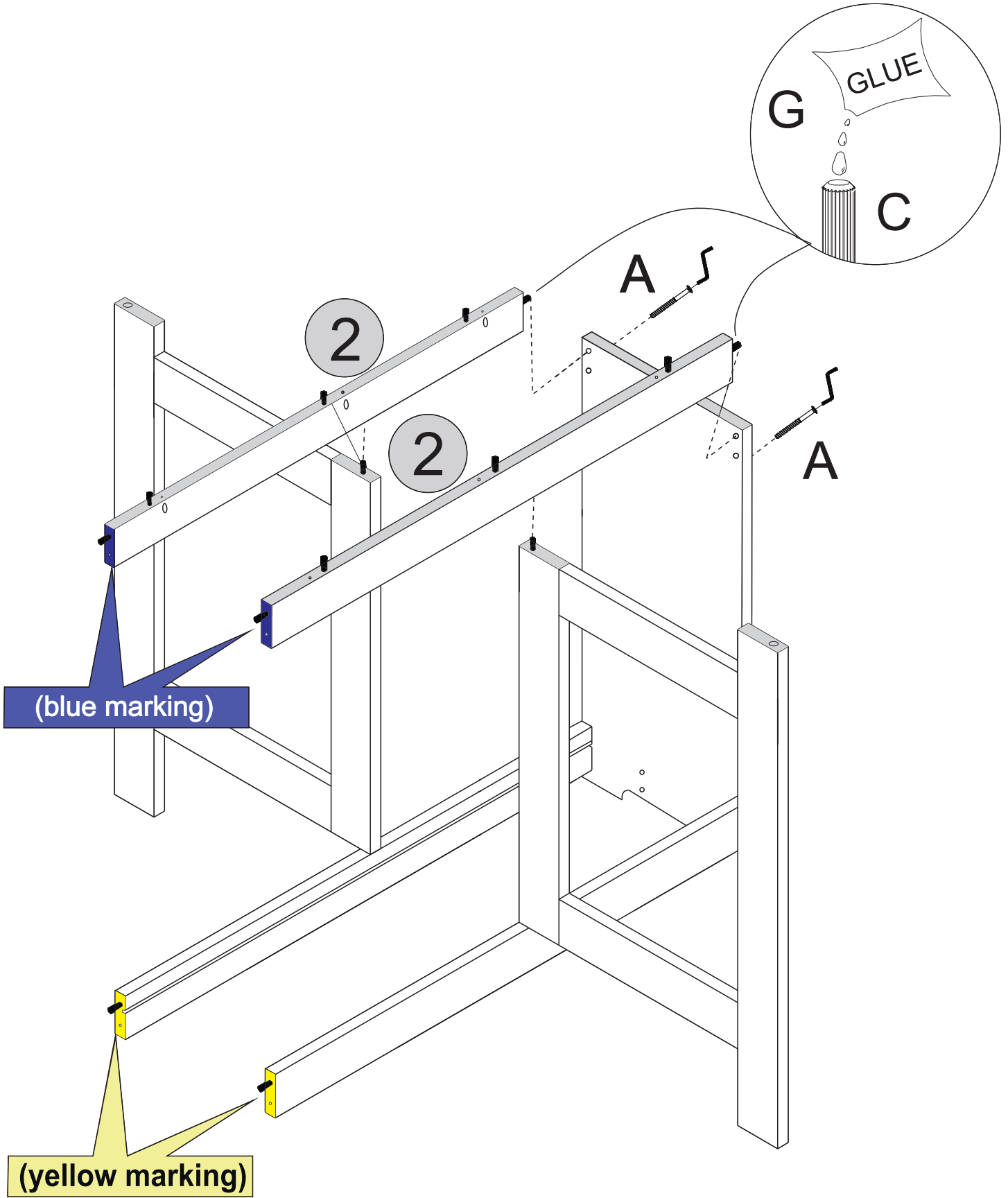
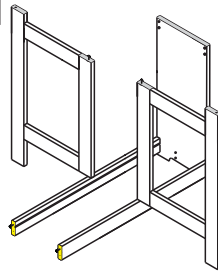
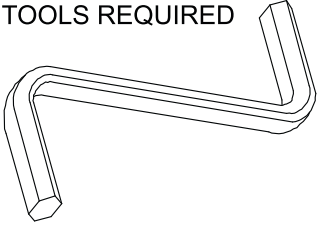
PARTS REQUIRED

2 - UPPER FRAME (BLUE MARKING) x2

HARDWARE REQUIRED

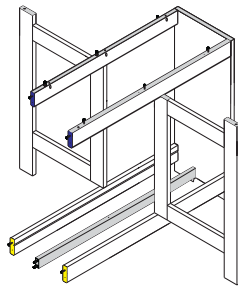


TOOLS REQUIRED



STEP 8

PARTS REQUIRED



HARDWARE REQUIRED

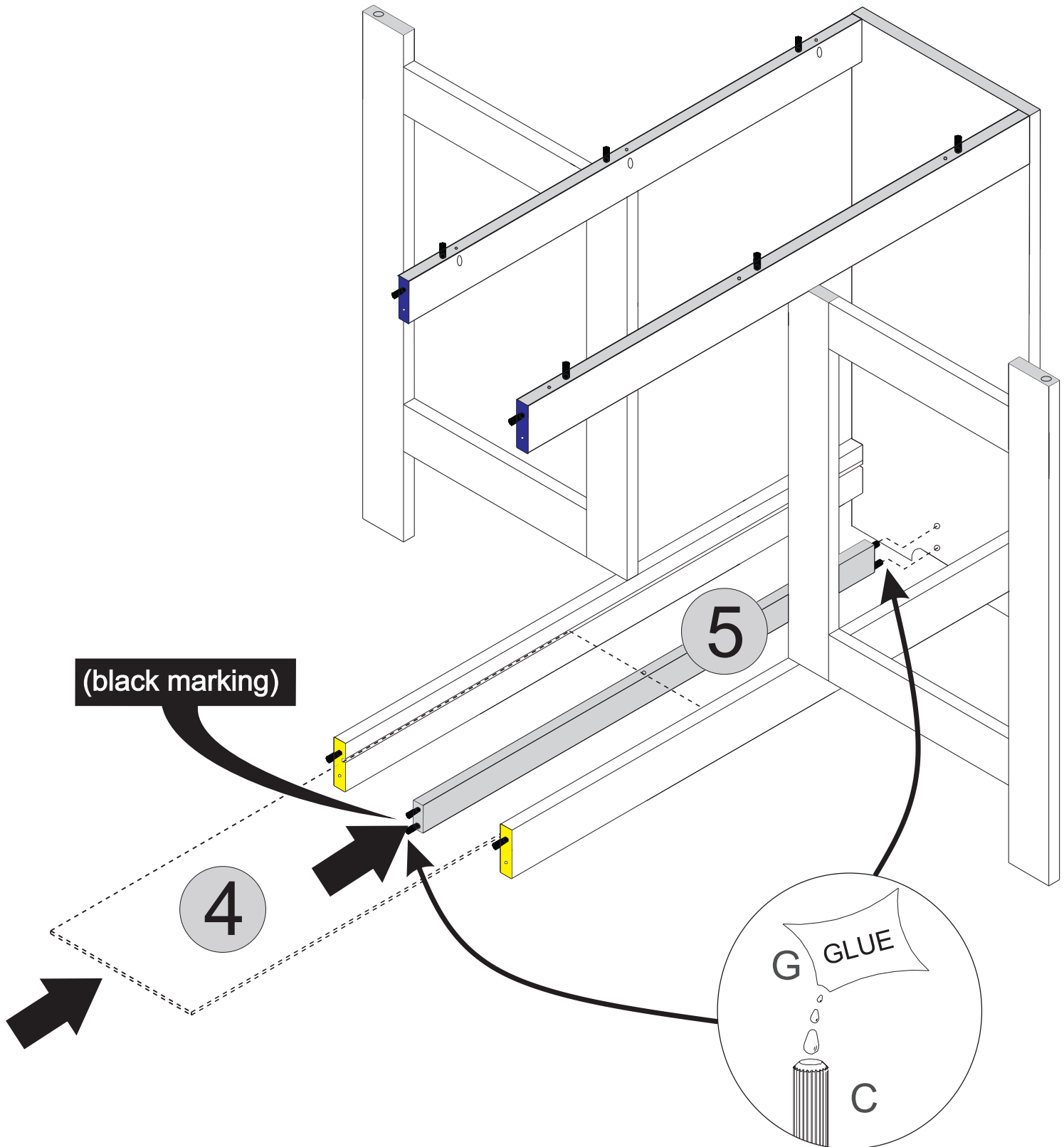
G



GLUE

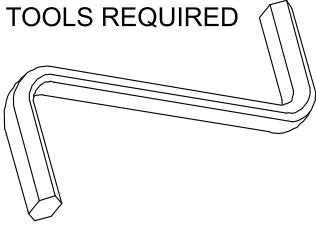
4 - BASE x1

5 - BASE SUPPORT (BLACK MARKING) x1

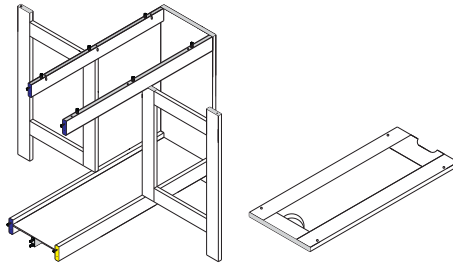


STEP 9

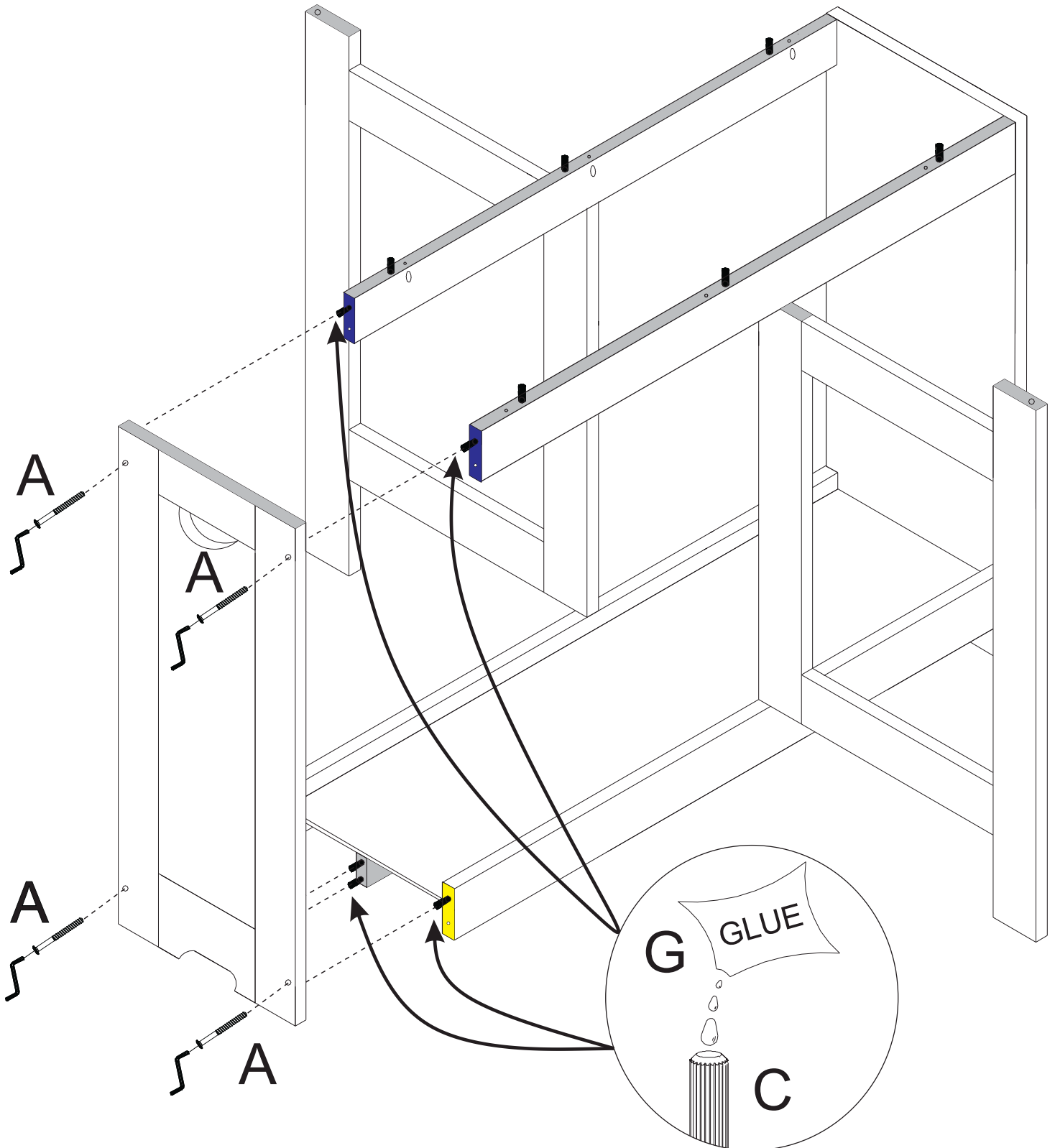
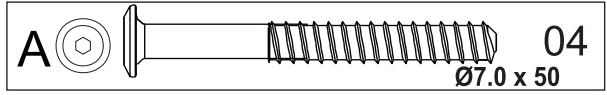
TOOLS REQUIRED



PARTS REQUIRED



HARDWARE REQUIRED




STEP 10


PARTS REQUIRED

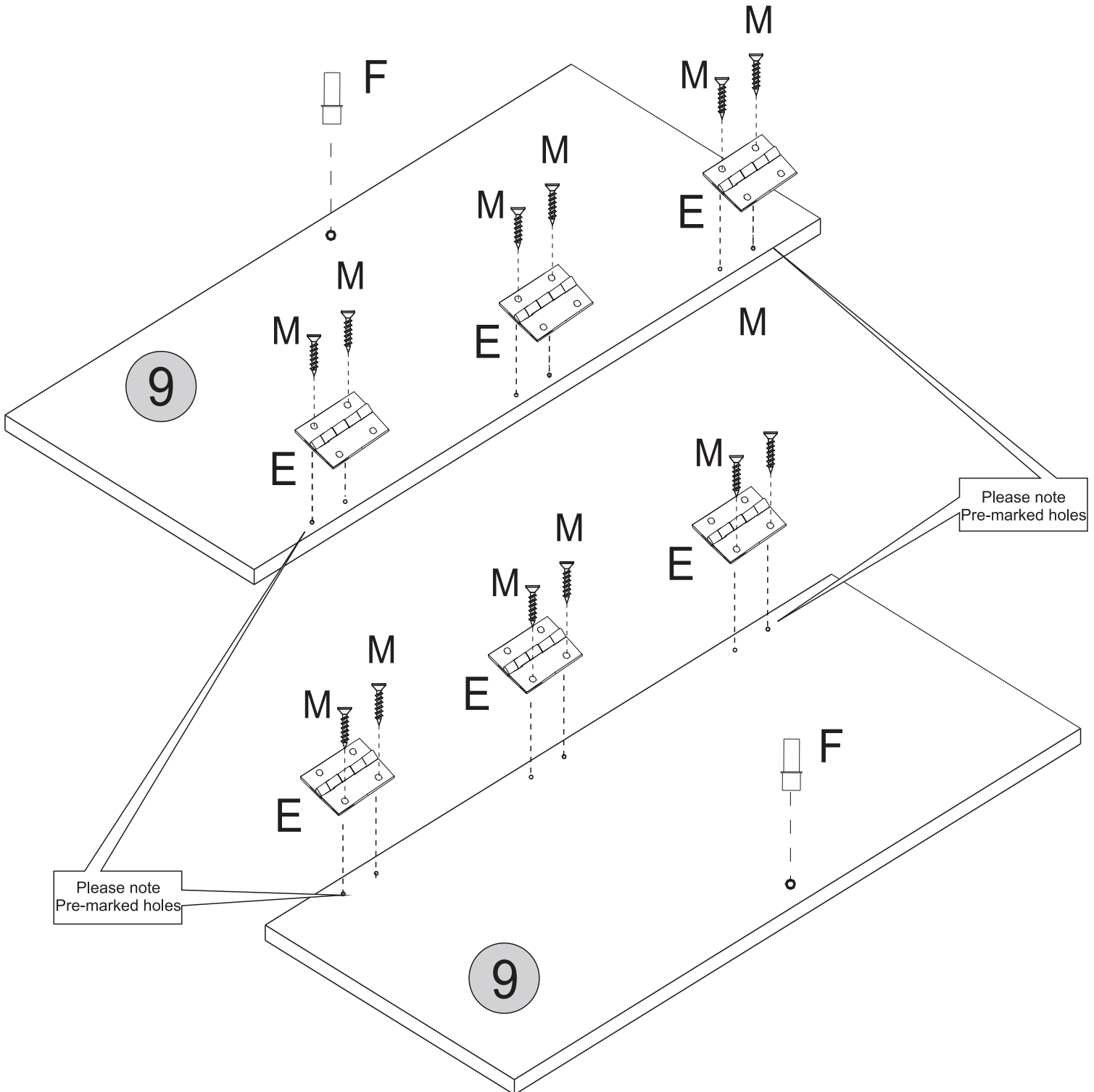
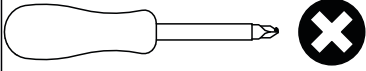
9 - SIDE TOP PANEL x2

HARDWARE REQUIRED

M   Ø3,5 x 16 12

E  06

F  02



STEP 11

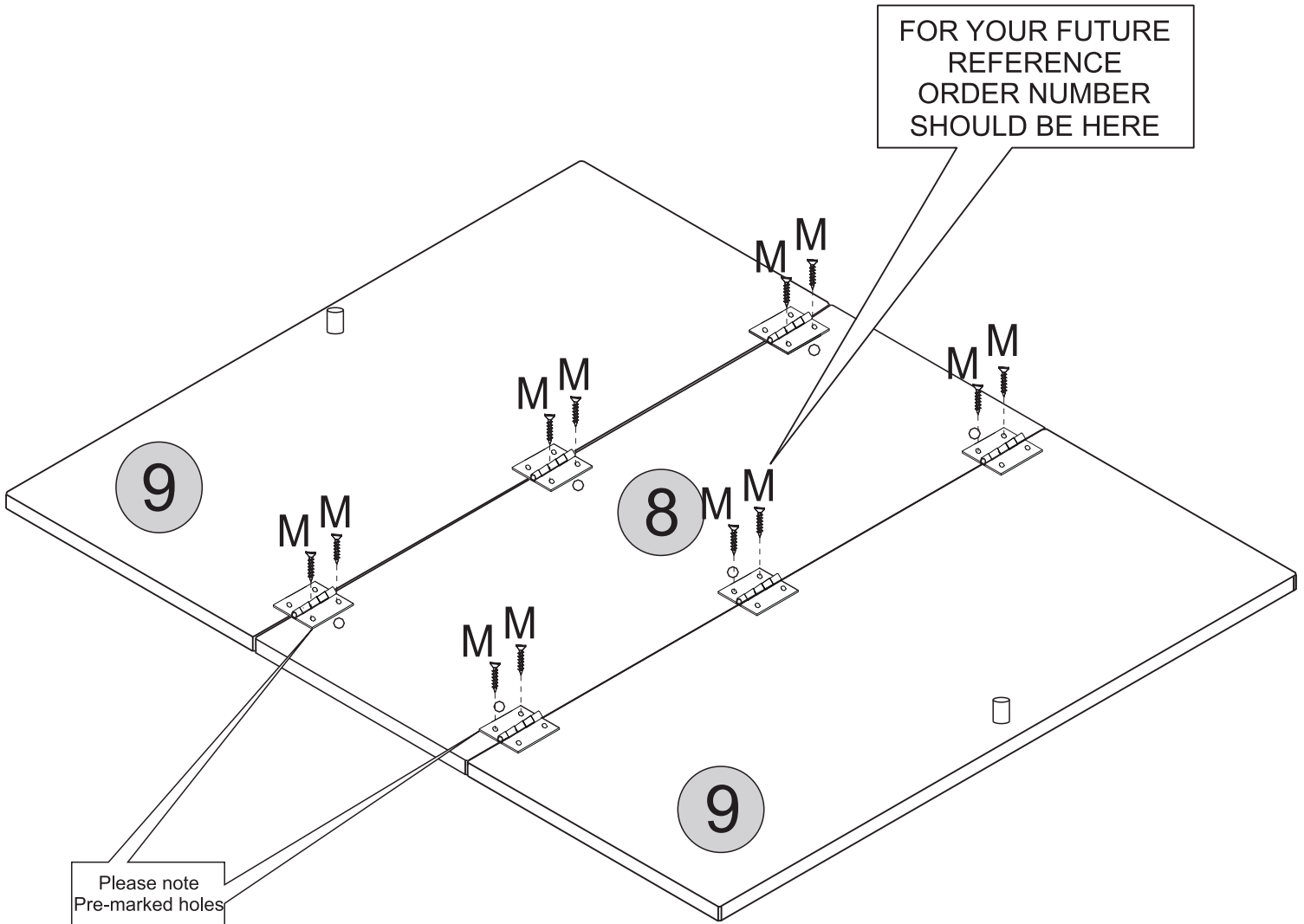
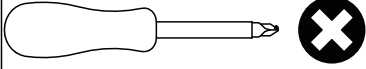
PARTS REQUIRED

8 - CENTRE TOP PANEL x1

9 - SIDE TOP PANEL x2

HARDWARE REQUIRED

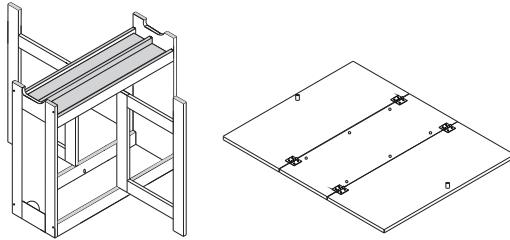
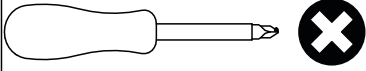
M   12
Ø3,5 x 16



STEP 12

PARTS REQUIRED

HARDWARE REQUIRED



B		06
<small>Ø3,5 x 35CP</small>		
K		06
L		06
<small>Ø10 x 10</small>		

