

Assembly Instructions

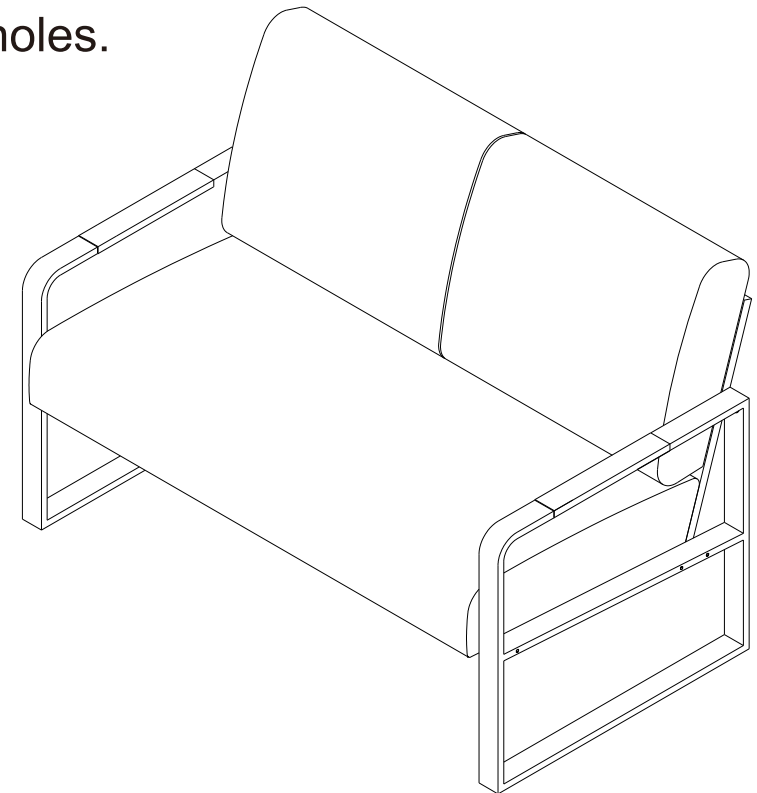
⚠ Before you throw the carton, please ensure that you have all the parts needed for the assembly.

⚠ **Hardware Note:**

1. For each step please don't fully tighten all the screws at first, when they all align to the holes you can fully tighten them.

2. All the bolts should be assembled **vertically** to the holes.

⚠ **Spare parts can be found in the hardware box** if you do not have enough bolts for assembly.



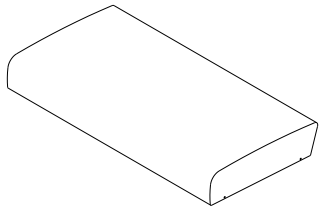
⚠ THIS INSTRUCTION BOOKLET CONTAINS IMPORTANT SAFETY INFORMATION. PLEASE READ AND KEEP FOR FUTURE REFERENCE.

Assembly Instructions

Parts and Hardware

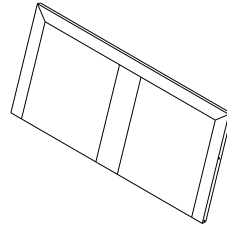
Please check to make sure you have all parts and hardware before starting assembly process.

Ⓐ



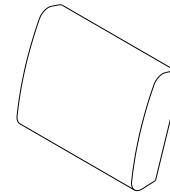
Seat Cushion 1pc

Ⓑ



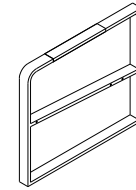
Back Frame 1pc

Ⓒ



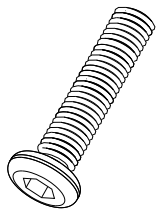
Back Cushion 2pcs

Ⓓ



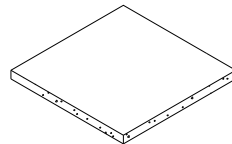
Arm 2pcs

①

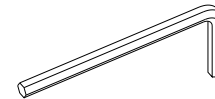


Bolts 8pcs

②



Plastic Washer 4pcs



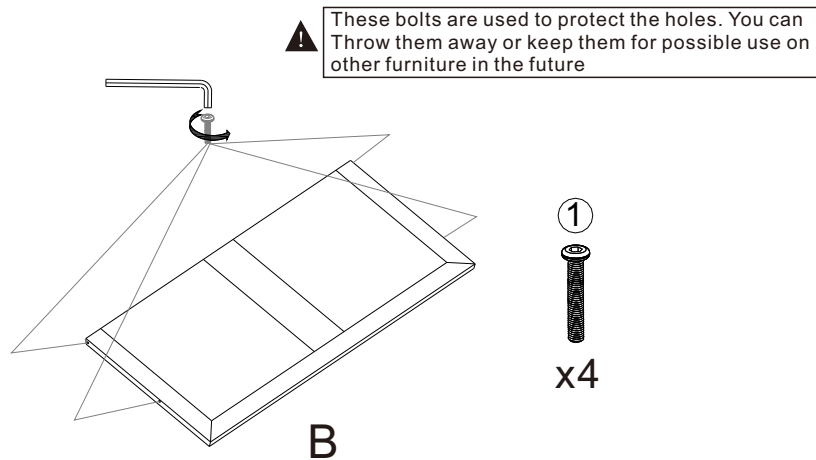
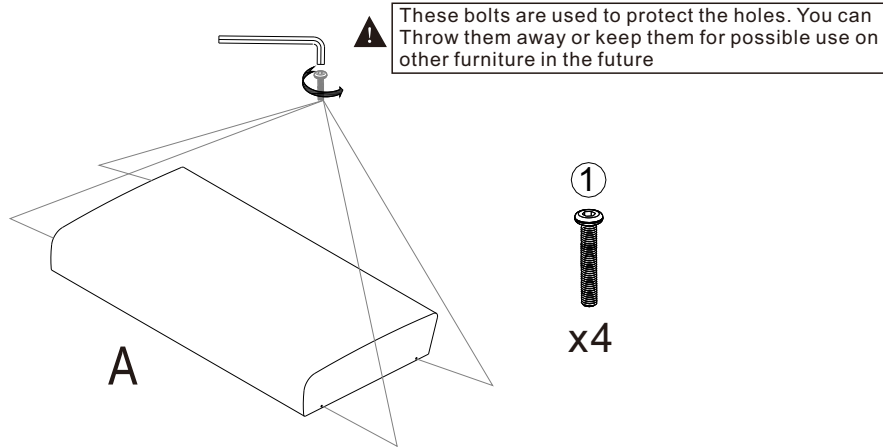
Wrench 1pc

ASSEMBLY INSTRUCTIONS

Assembly Instructions

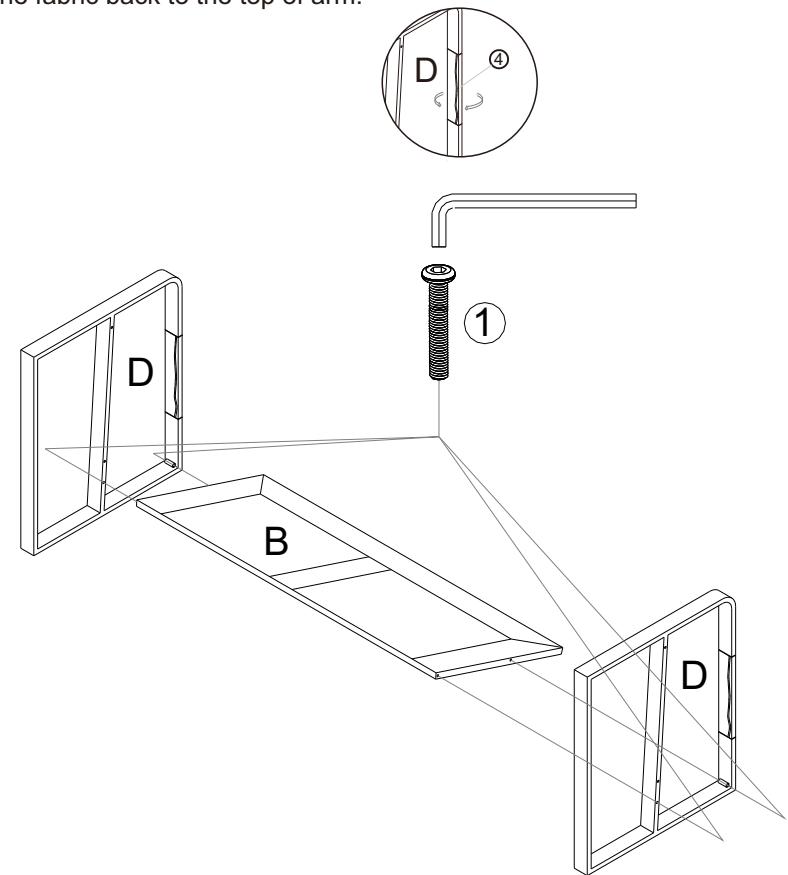
Do not tighten any single bolt until all bolts are assembled.

Step 1: Remove bolts from the side of part (A) (B)



Step 2: Assemble arm to back using bolts 1.
Half tighten all the bolts do not fully tighten.

- 1. Remove the fabric on the arm.
- 2. Remove the white non-woven fabric that protect the arms.
- 3. Put the fabric back to the top of arm.

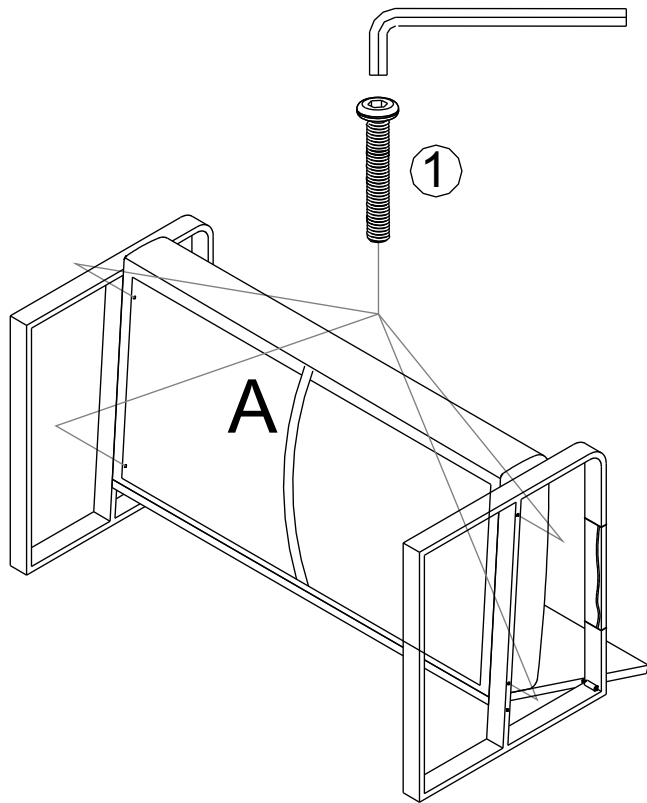


ASSEMBLY INSTRUCTIONS

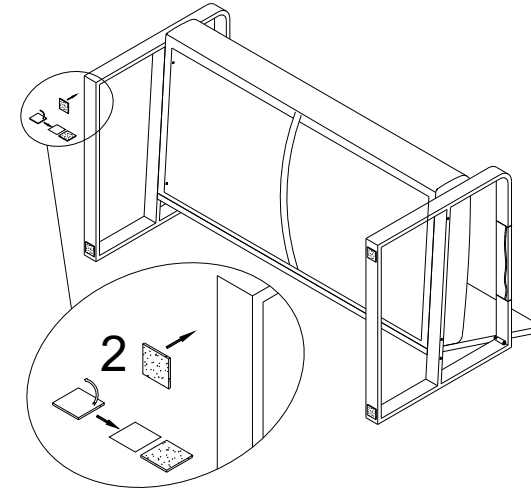
Assembly Instructions

Do not tighten any single bolt until all bolts are assembled.

Step 3: Assemble seat cushion to back using bolts 1. Half tighten all the bolts until all of them are align to the holes then fully tighten them by the short side of wrench.(include step 1)



Step 4: Attach plastic washer to the bottom of arm.



Step 5: Put back cushion on seat cushion.

