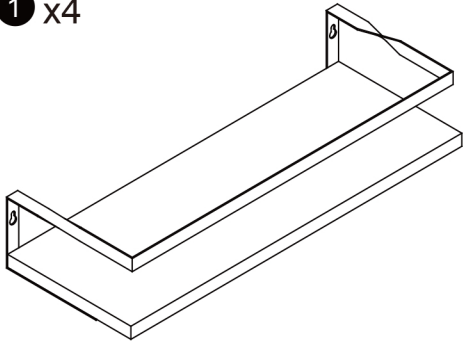
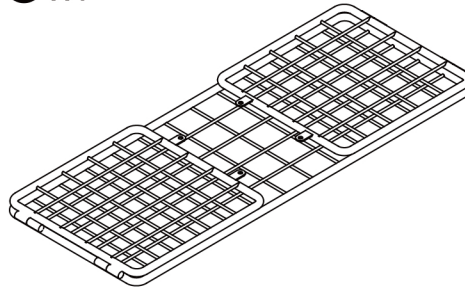


ASSEMBLY INSTRUCTION

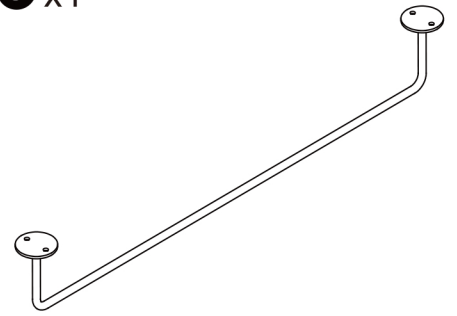
1 x4



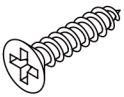
2 x1



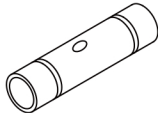
3 x1



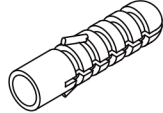
Ax8



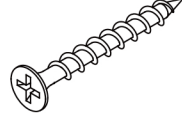
Bx1



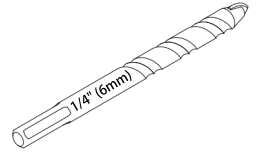
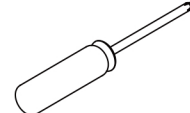
Cx8



Dx8

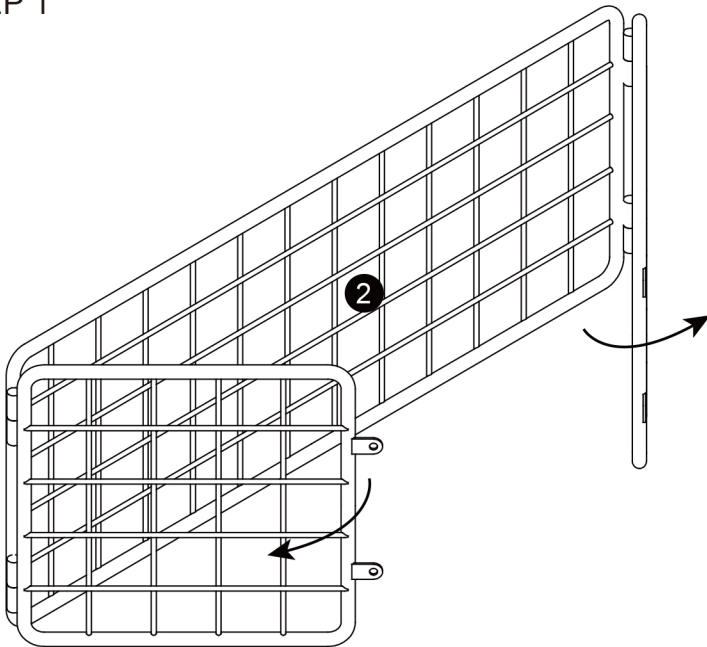


Ex1

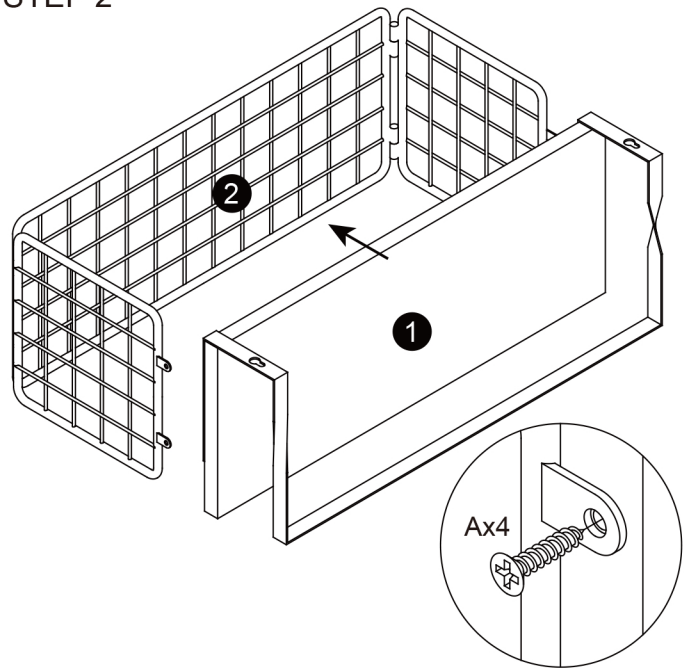


self-provided tools
drill bit: 1/4" (6mm)

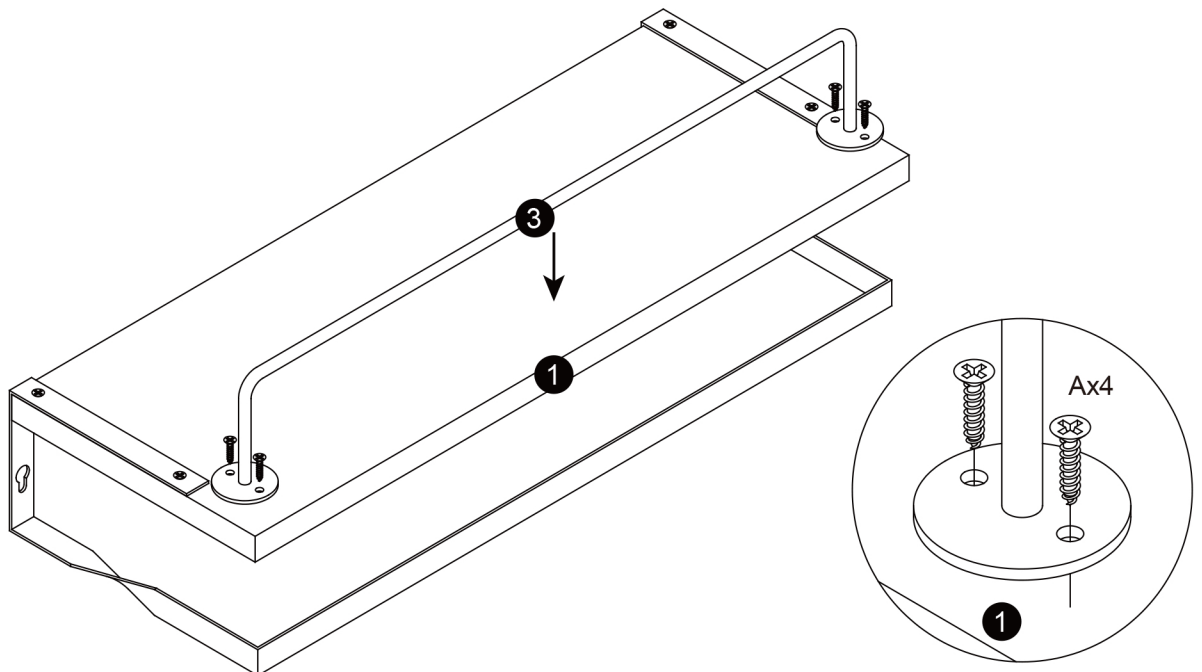
STEP 1



STEP 2

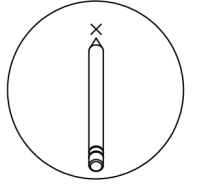
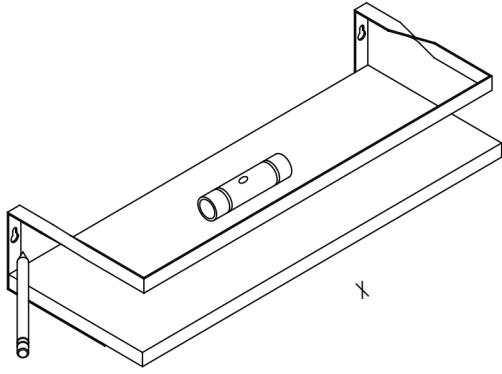


STEP 3



ASSEMBLY INSTRUCTION

STEP 4



✕

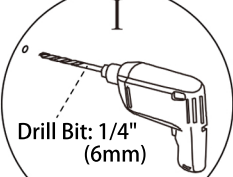
✕

✕

✕

✕

STEP 5



STEP 6

