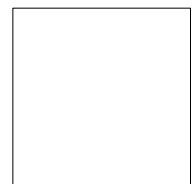
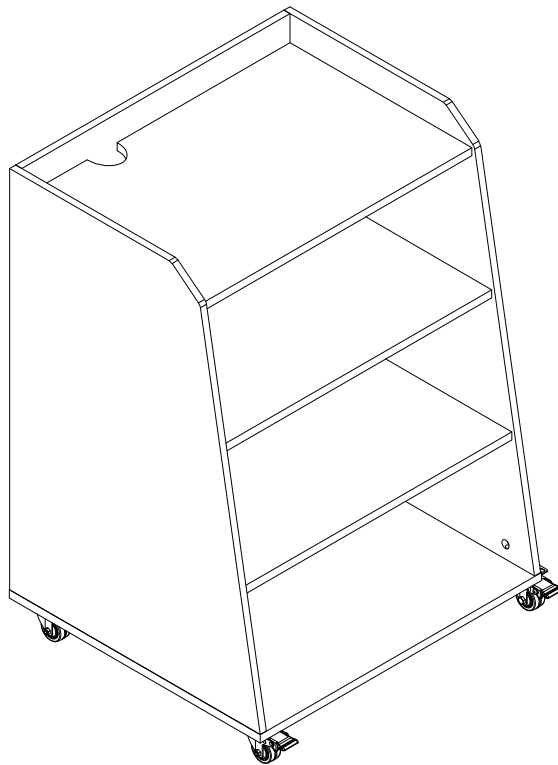


User Manual

Record cabinet



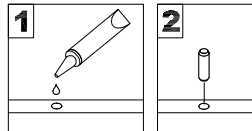
SXNG01 Assembly Instructions

Warm Tips:

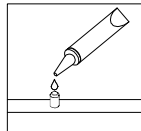
The assembly process is both challenging and fun. Please be patient and follow the instructions **STEP BY STEP**. You will feel exactly proud of yourself when you finish!

General Assembly Guidelines

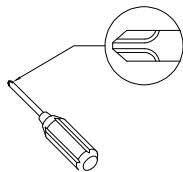
- I .Please ensure that all parts and hardware are available before assembly.
- II . Follow each step carefully to ensure the proper assembly of this product.
- III . For ease of assembly, two people are recommended to assemble this product.
- IV . The three main types of hardware are: wood dowels , screws and bolts.
- V . The glue is to secure wood dowels in place. When first inserting dowels, locate the appropriate hole for the dowel, and place a small amount of glue in the hole then insert the dowel. Please remember wipe away the excess glue immediately.



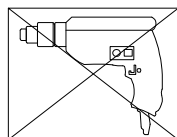
The dowels are necessary to attach assembly parts together in the following steps. Place a small amount of glue on the end of the dowel before attaching parts together. Please remember wipe away the excess glue immediately.



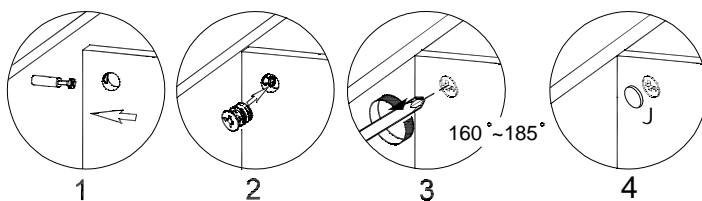
VI . A Phillips head screwdriver is required for the assembly of this product.



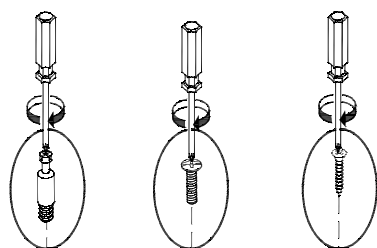
VII. Power tools should not be used when assemble this product.



VIII. Steps for assembly of three-in-one screws.

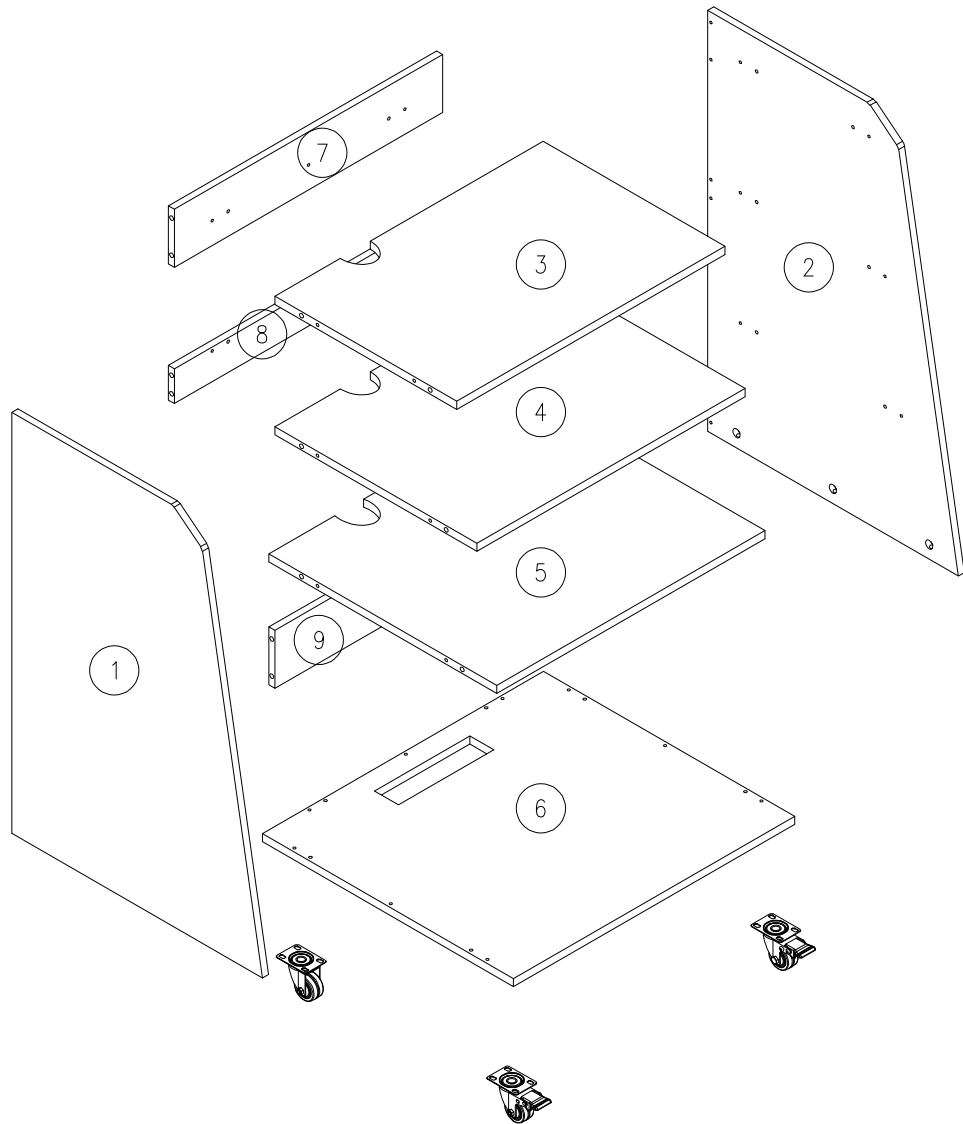


IX. Screw fixation diagram for all fittings.

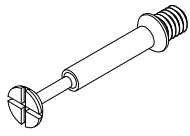


Parts List

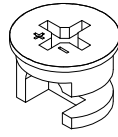
①	X	1
②	X	1
③	X	1
④	X	1
⑤	X	1
⑥	X	1
⑦	X	1
⑧	X	1
⑨	X	1



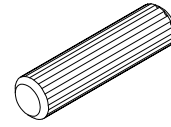
Hardware List



A x 39+2pcs



B x 39+2pcs



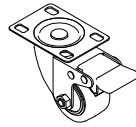
Ø6*30mm

C x 22+2pcs

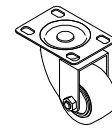


Ø3.5*12mm

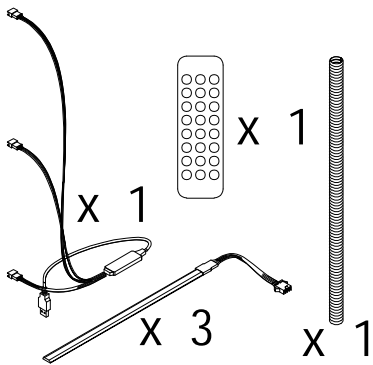
D x 18+2pcs



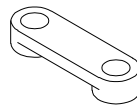
E x 2pcs



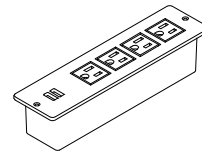
F x 2pcs



G x 1pcs



H x 10pcs



I x 1pcs

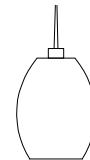


Ø2.9*14mm

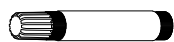
J x 12+1pcs



K x 39+2pcs



x 1pc



x 1pc

STEP#1



J x 4

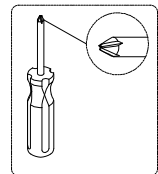
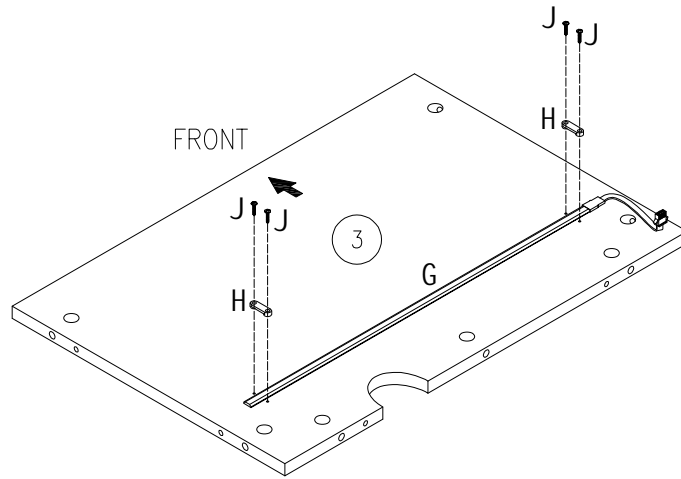


x 1

G x 1



H x 2



STEP#2



J x 4

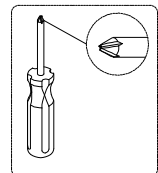
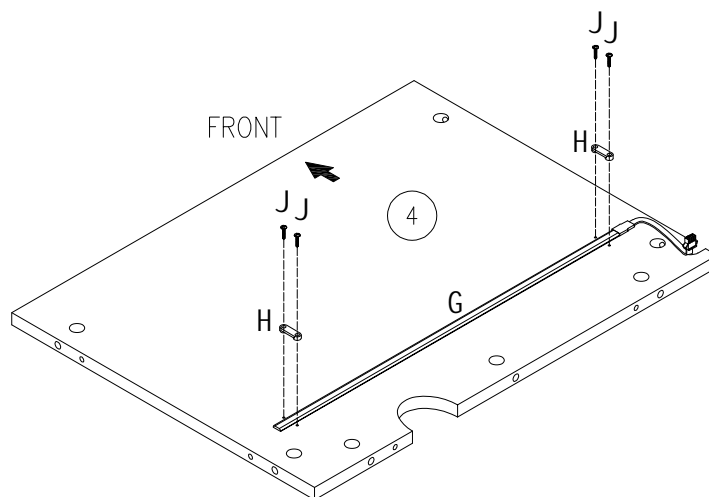


x 1

G x 1



H x 2



STEP#3



J x 4

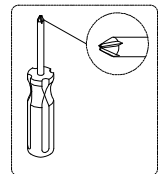
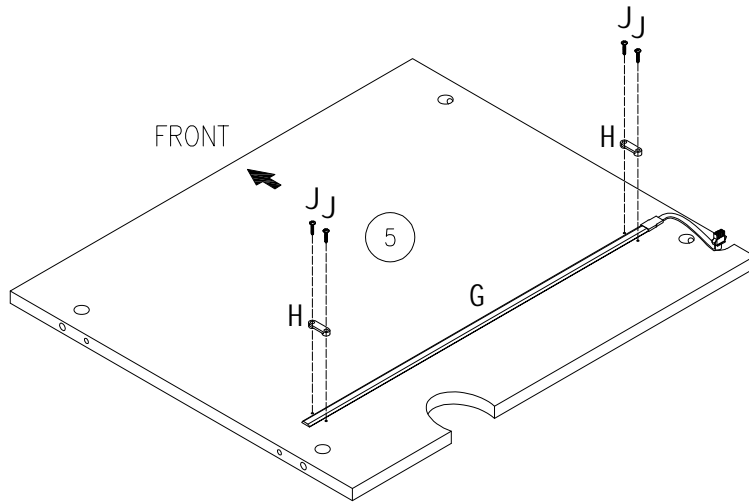


x 1

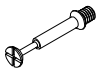
G x 1



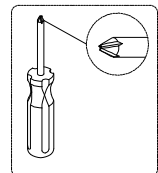
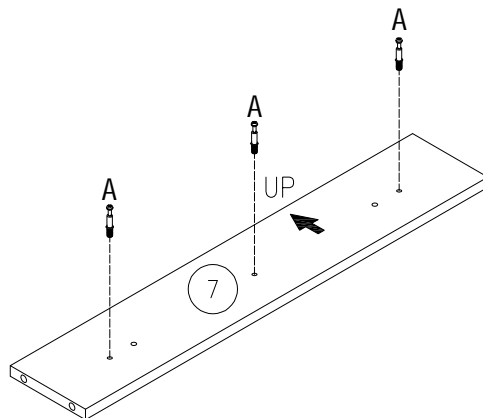
H x 2



STEP#4



A x 3



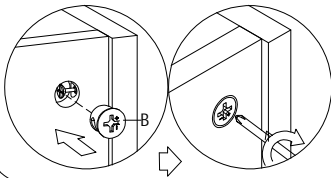
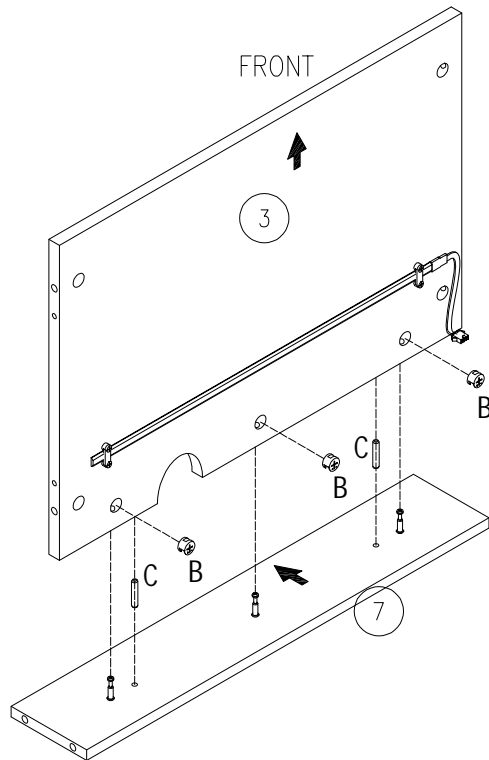
STEP#5



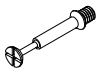
B x 3



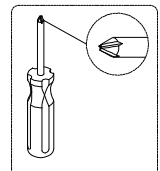
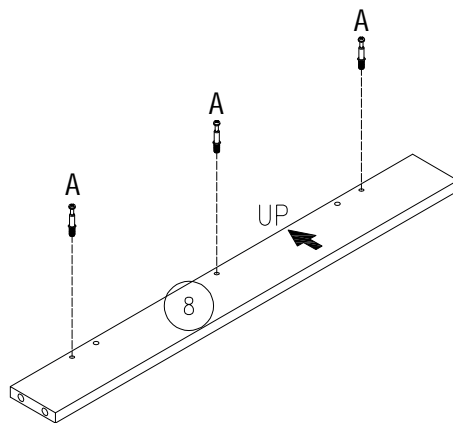
C x 2



STEP#6



A x 3



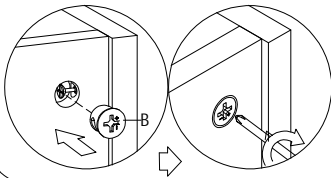
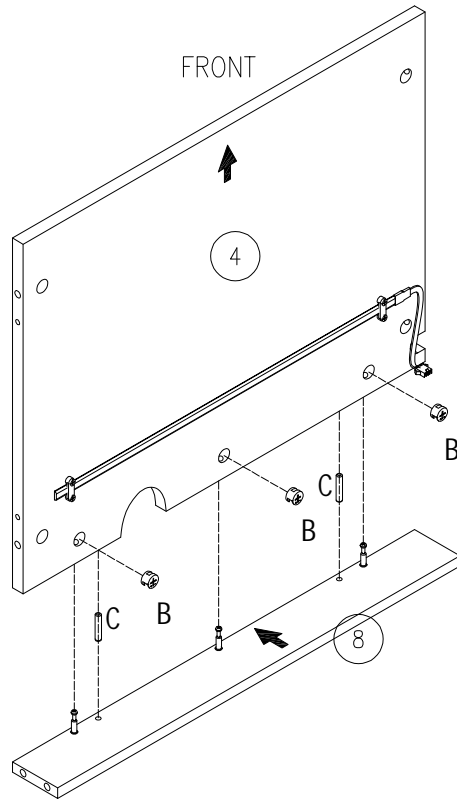
STEP#7



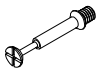
B x 3



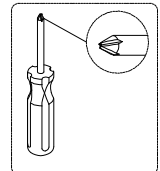
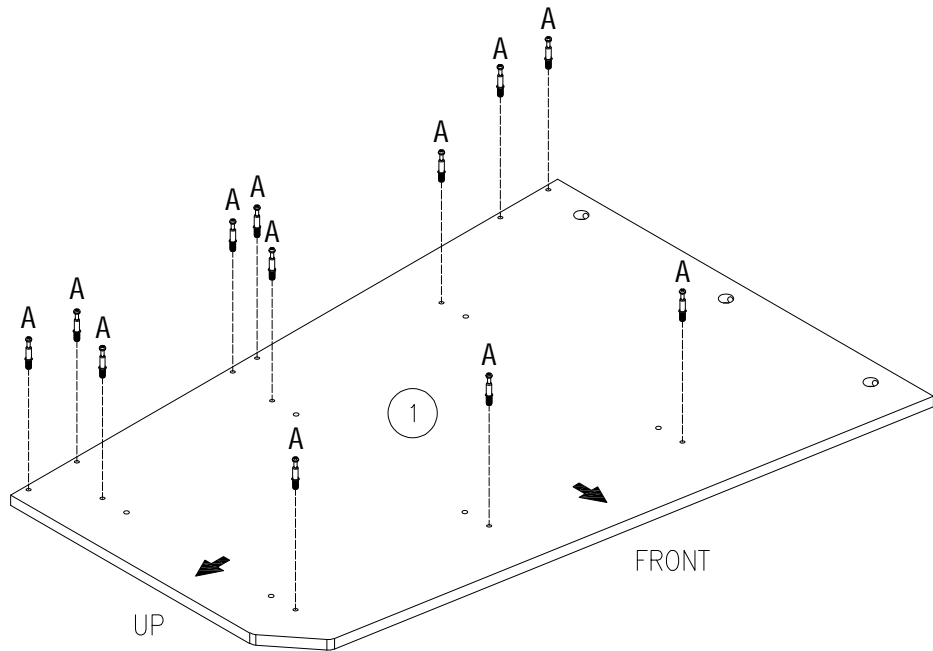
C x 2



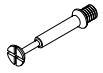
STEP#8



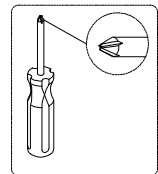
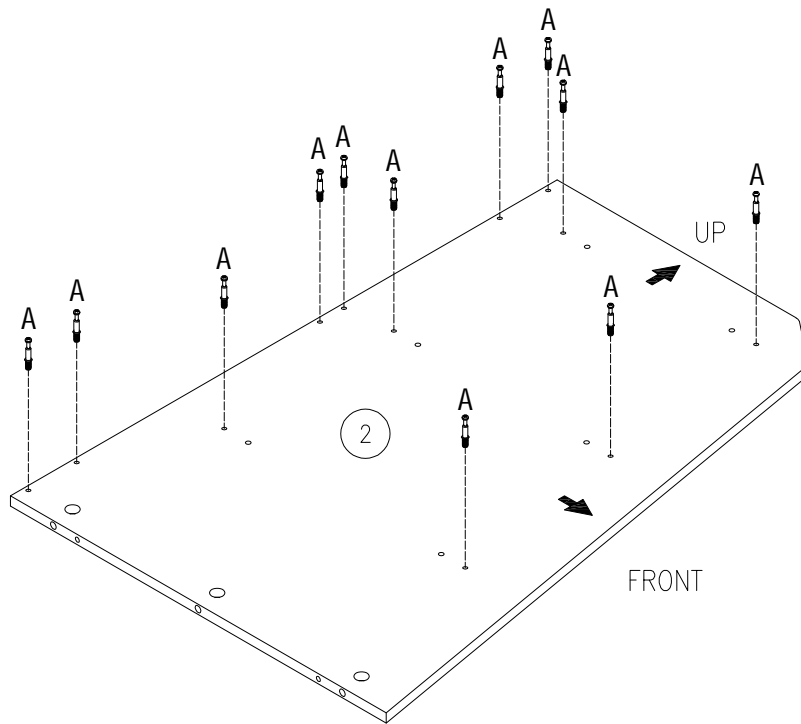
A x 12



STEP#9



A x 12



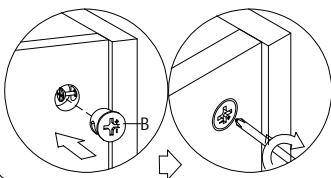
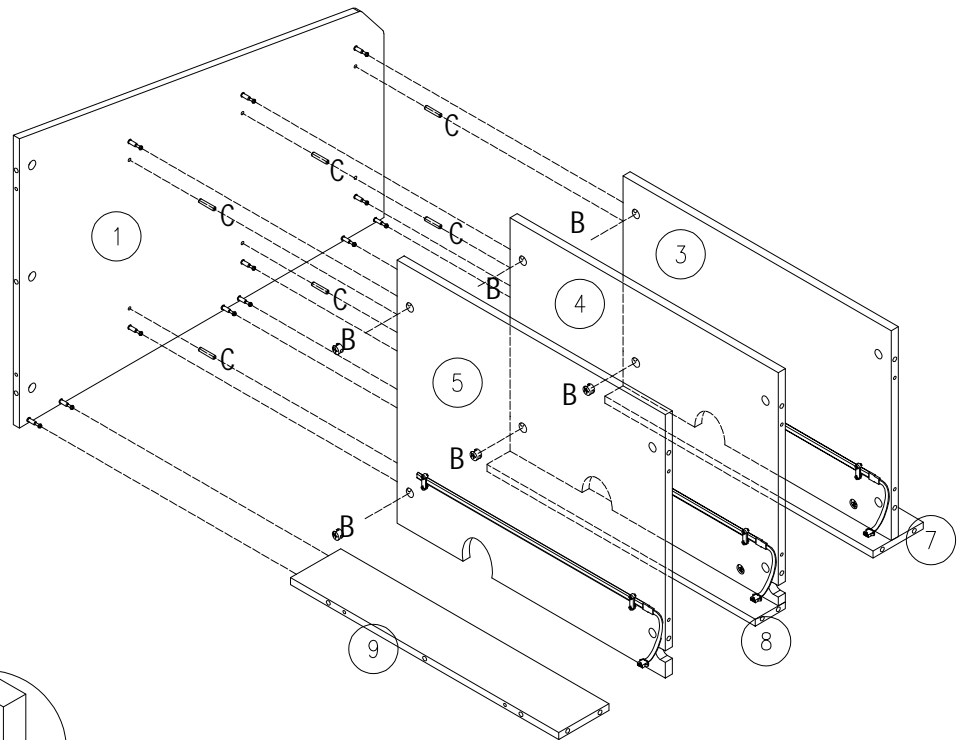
STEP#10



B x 6



C x 6



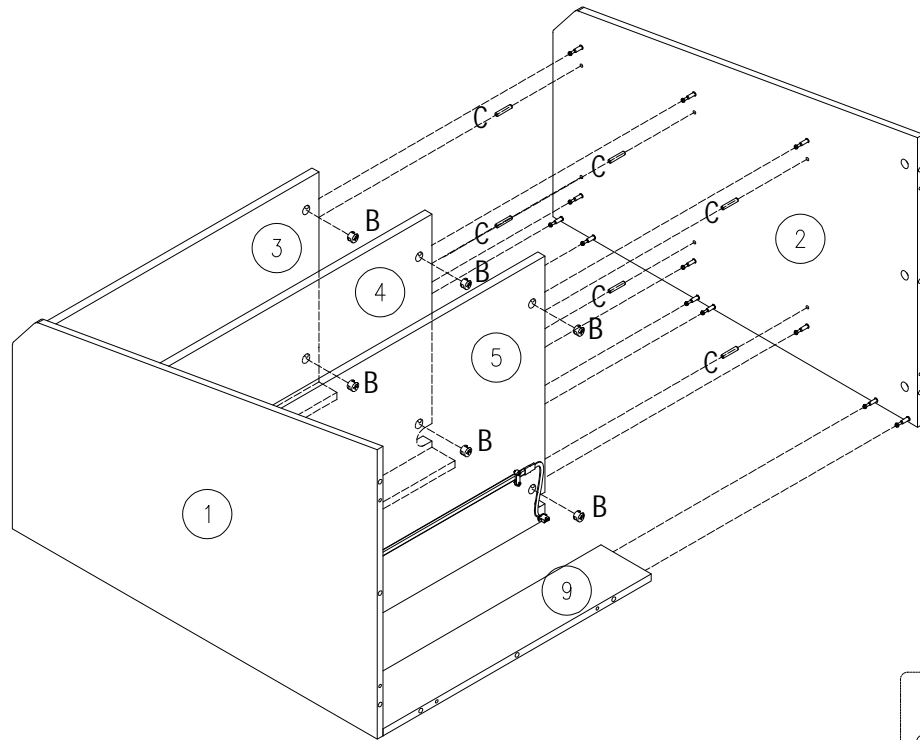
STEP#11



B x 6



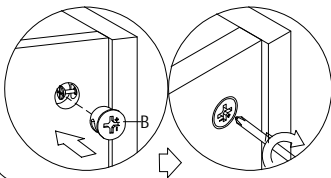
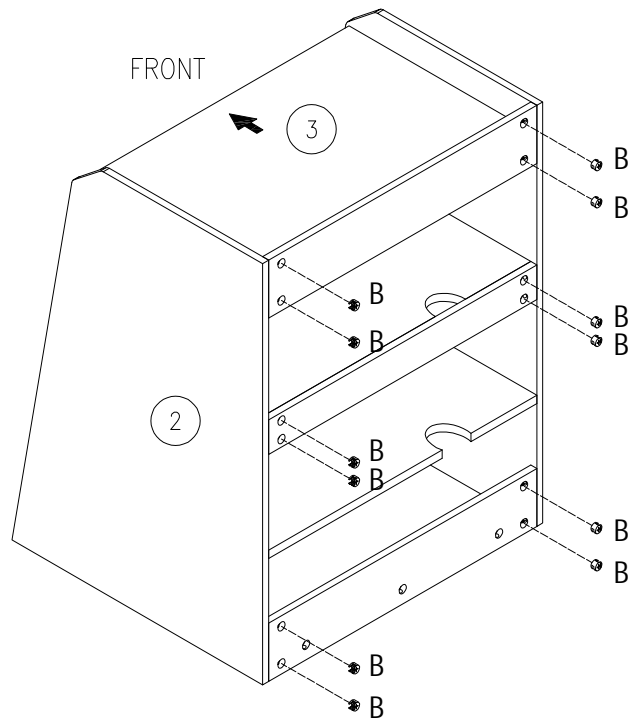
C x 6



STEP#12



B x 12



STEP#13



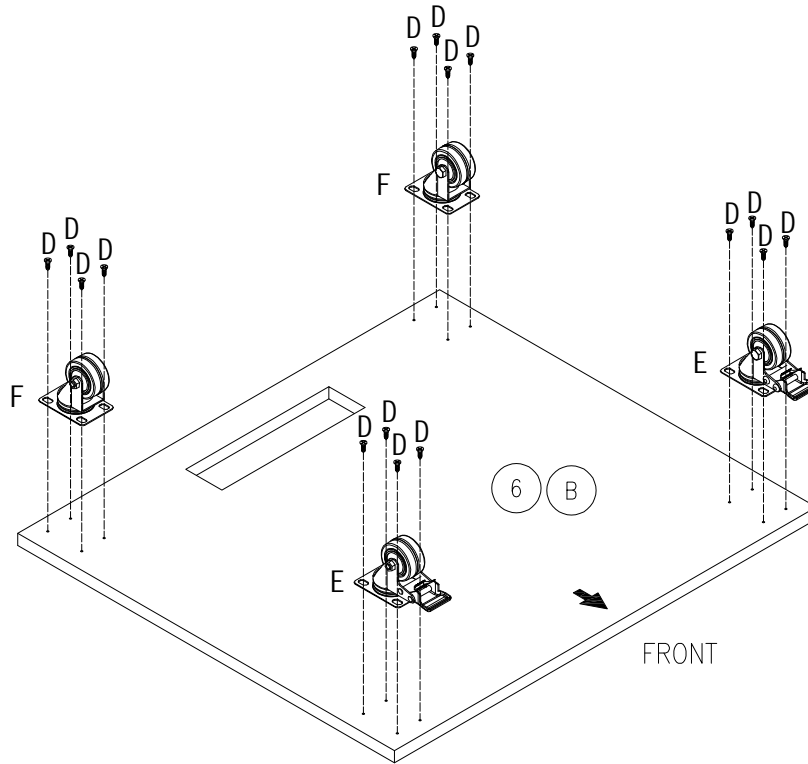
D x 16



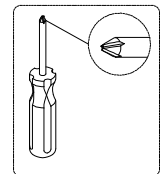
E x 2



F x 2



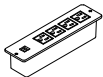
Warm tips: Don't install the A side and B side of the #6 planks in reverse.



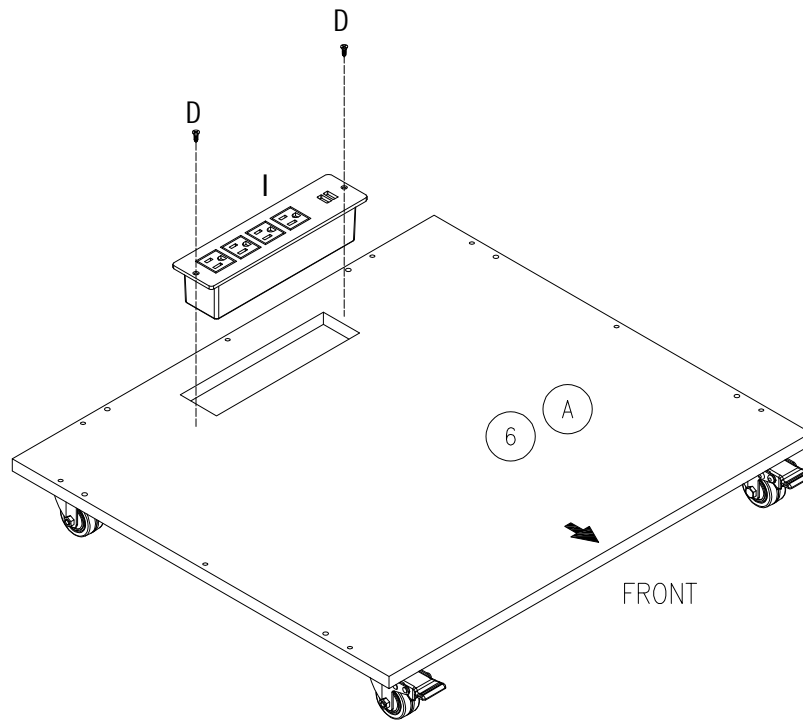
STEP#14



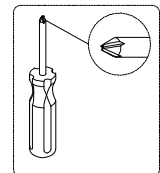
D x 2



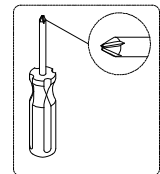
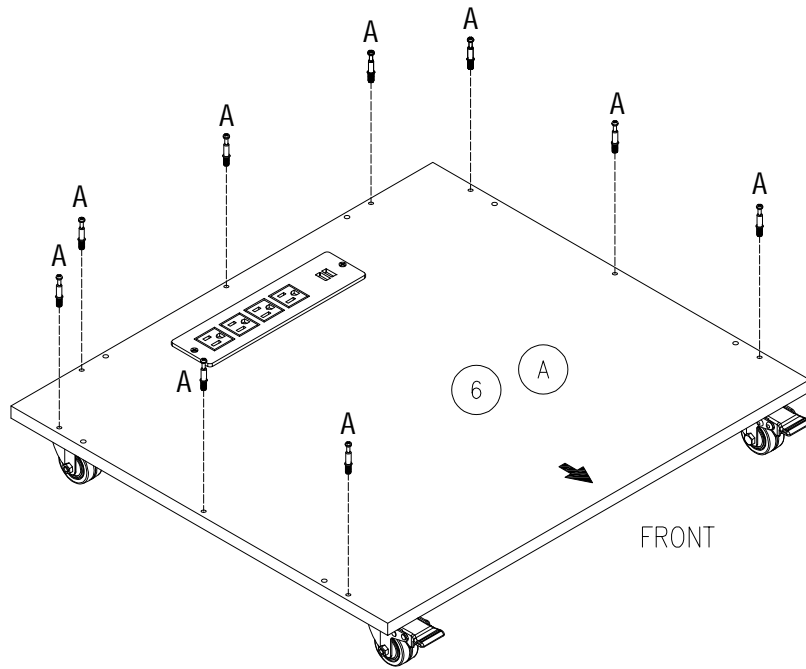
I x 1



Warm tips: Don't install the A side and B side of the #6 planks in reverse.



STEP#15



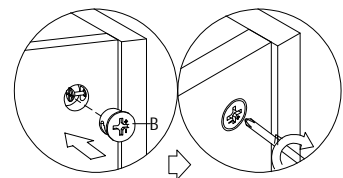
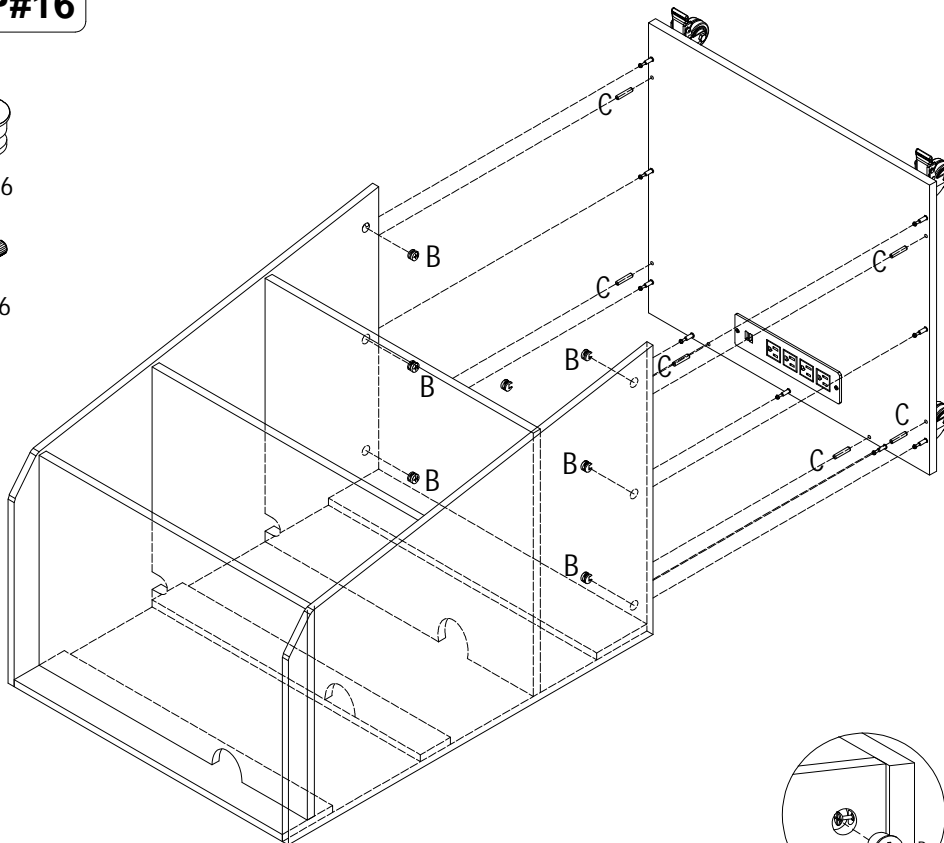
STEP#16



B x 6



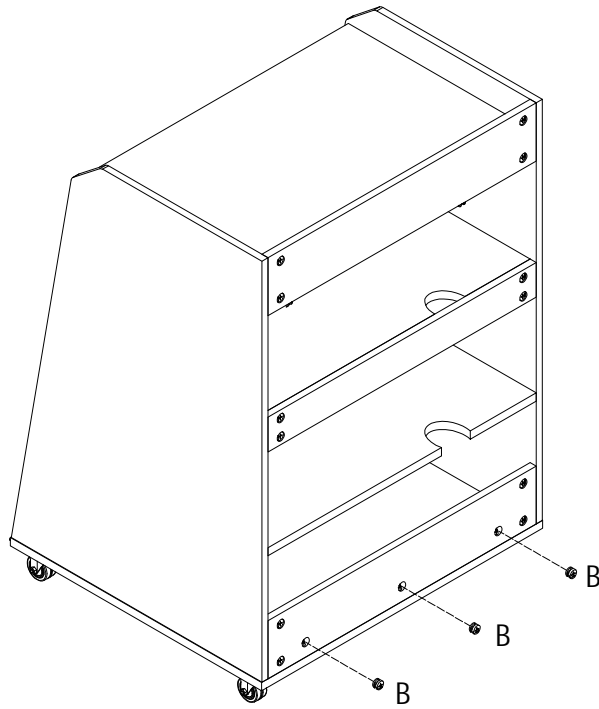
C x 6



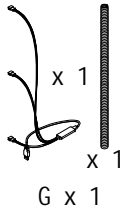
STEP#17



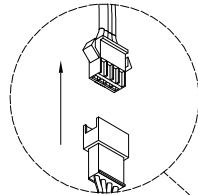
B x 3



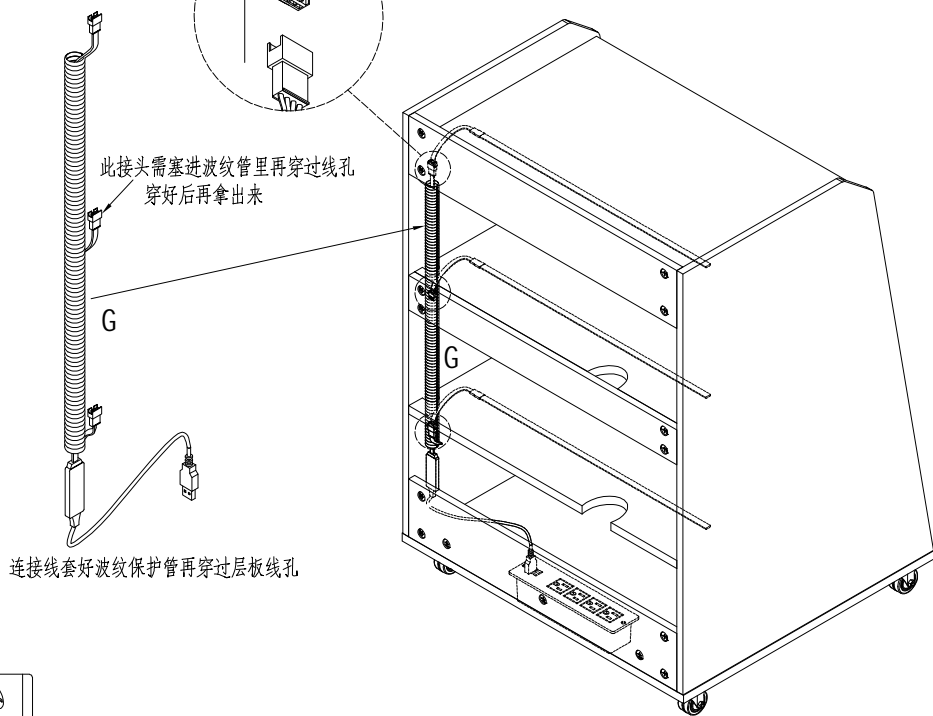
STEP#18



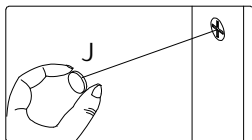
K x 39



此接头需塞进波纹管里再穿过线孔
穿好后再拿出来



连接线套好波纹保护管再穿过层板线孔



STEP#19



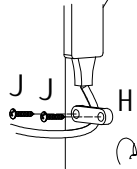
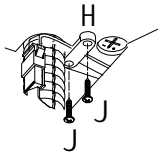
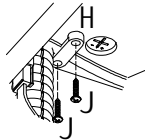
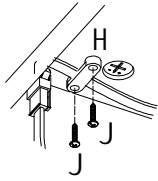
H x 4



J x 8



K x 39



压线板固定参考示意

