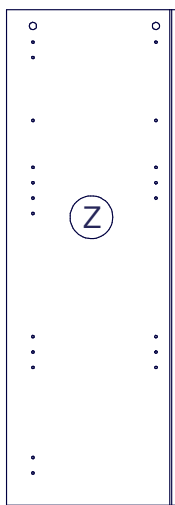
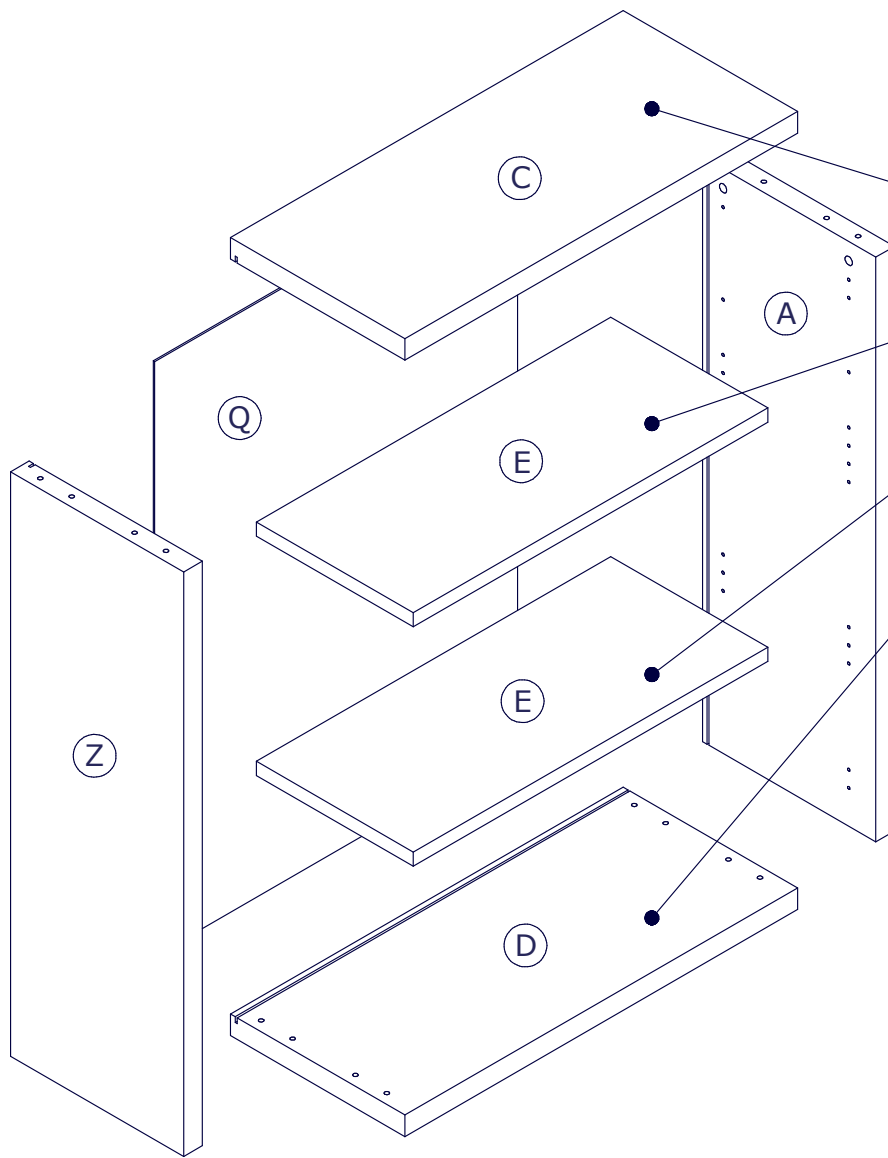


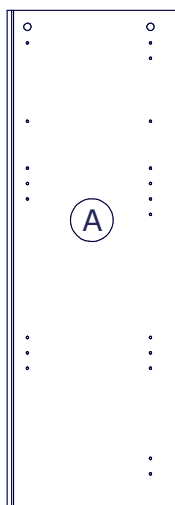
<b>A x 1</b> FI7016	<b>C x 1</b> CA2863	<b>D x 1</b> BA1745	<b>E x 2</b> PI6230	<b>Q x 1</b> SH2618	<b>Z x 1</b> FI7017
------------------------	------------------------	------------------------	------------------------	------------------------	------------------------

BU2800	<b>G122 x 4</b> FG0122		<b>H1 x 8</b> FH0001		<b>H2 x 10</b> FH0002		<b>H129 x 2</b> FH0129		<b>H185 x 1</b> FH0185	
	<b>H233 x 4</b> FH0233		<b>R40 x 8</b> FR0040		<b>T28 x 4</b> FT0028		<b>T97 x 4</b> FT0097			
	<b>P45 x 4</b> FP0045									

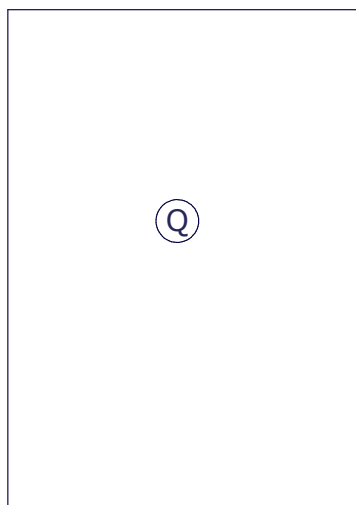
mm	0	10	20	30	40	50	60	70	
BU2800									<b>V5 x 10</b> FV0005
									<b>V8 x 16</b> FV0008
									<b>V81 x 2</b> FV0081
									<b>V115 x 4</b> FV0115



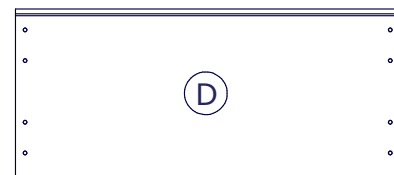
• **FI7017**  
1031x353x38mm



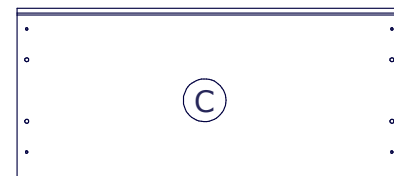
• **FI7016**  
1031x353x38mm



• **SH2618**  
1048x739x3mm



• **BA1745**  
800x356x38mm



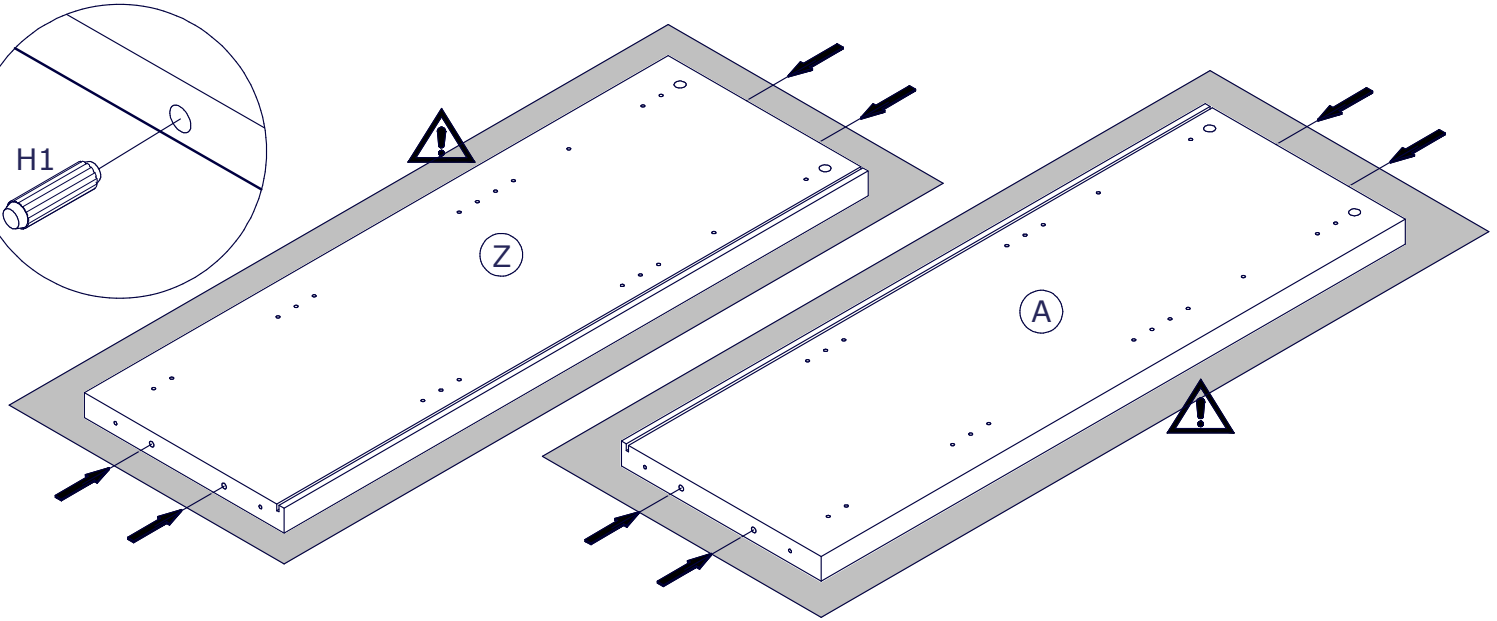
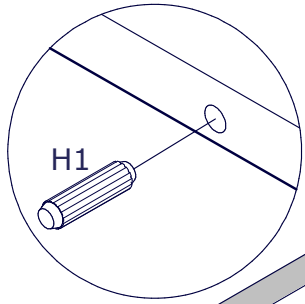
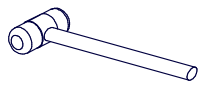
• **CA2863**  
800x356x38mm



• **PI6230**  
722x320x25mm

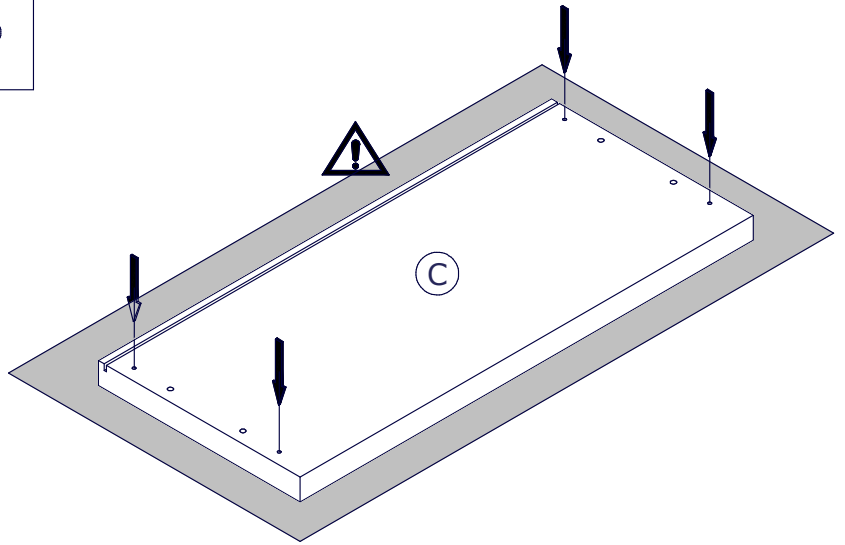
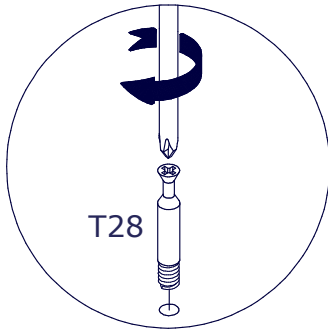
# 1

H1 x 8



# 2

T28 x 4



# 3

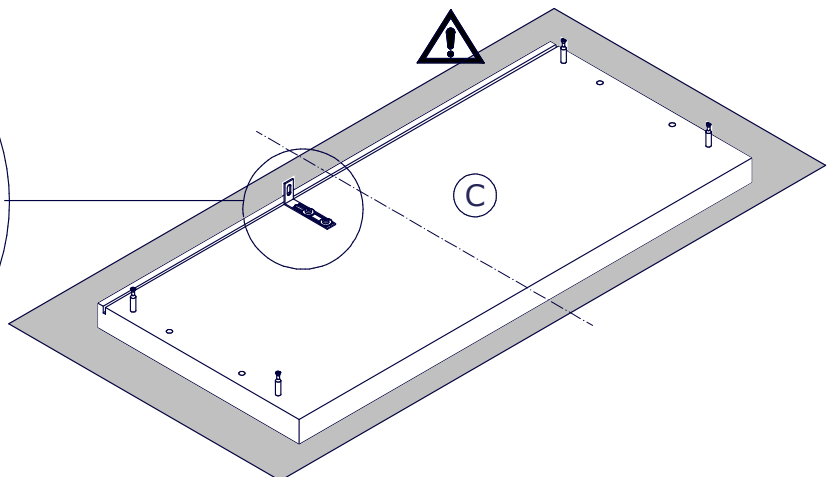
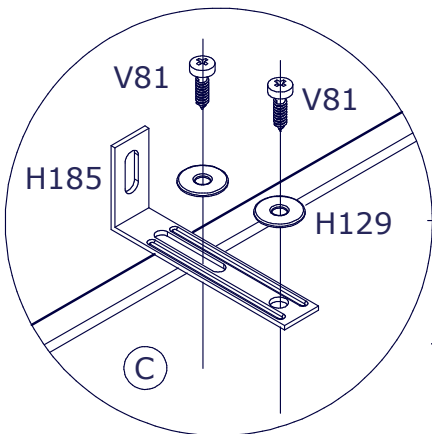
H185 x 1



V81 x 2



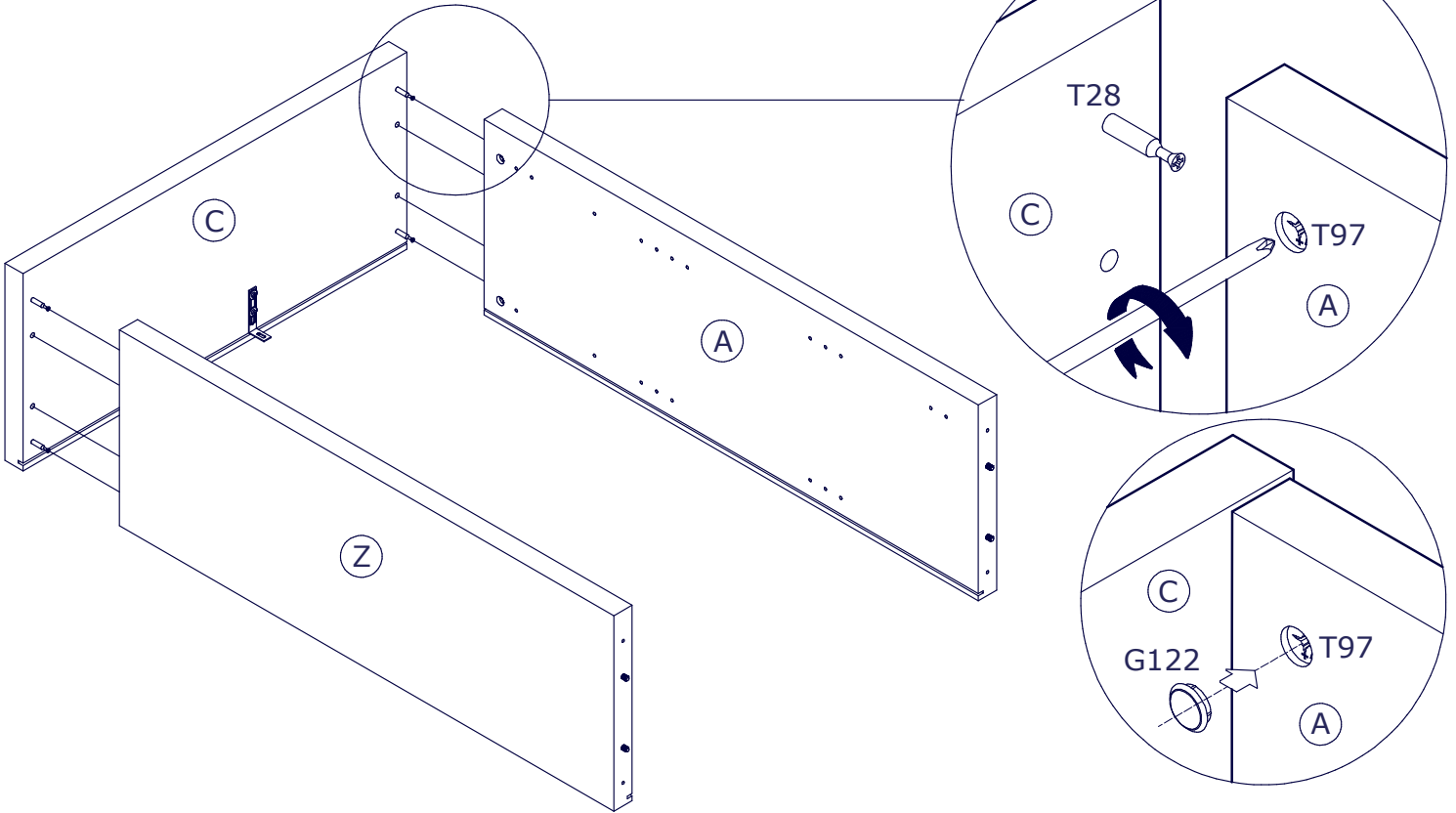
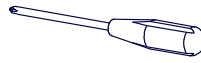
H129 x 2



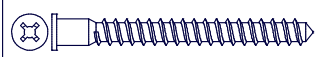
# 4

G122 x 4

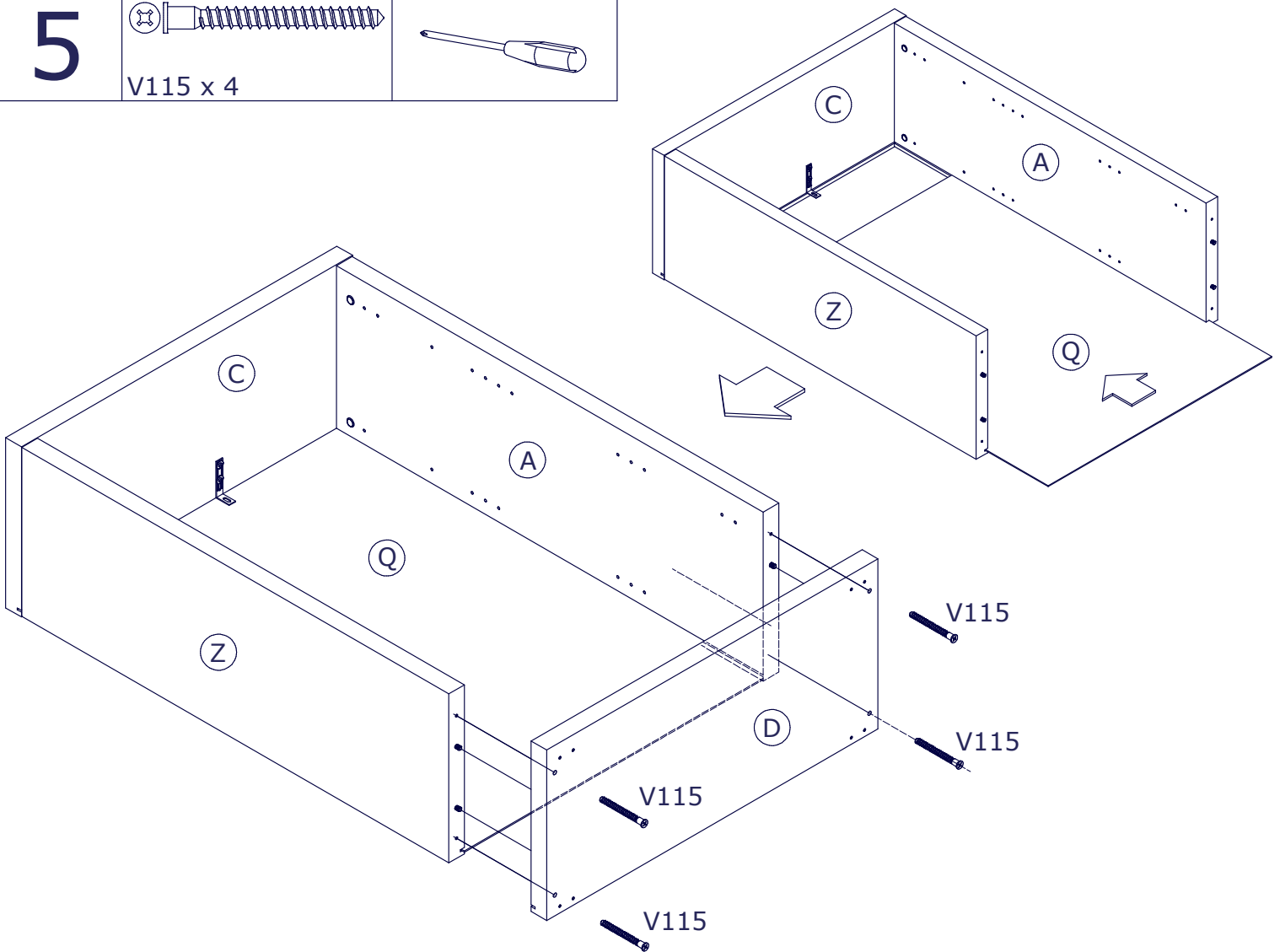
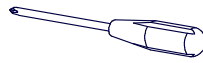
T97 x 4



# 5



V115 x 4



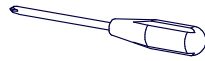
# 6



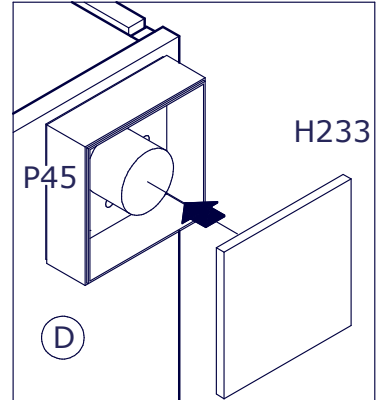
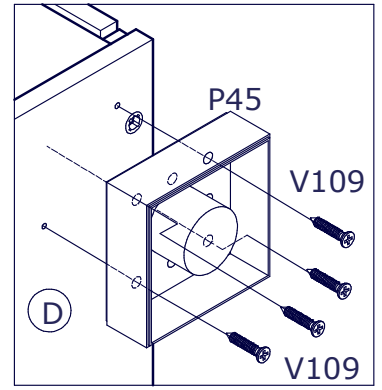
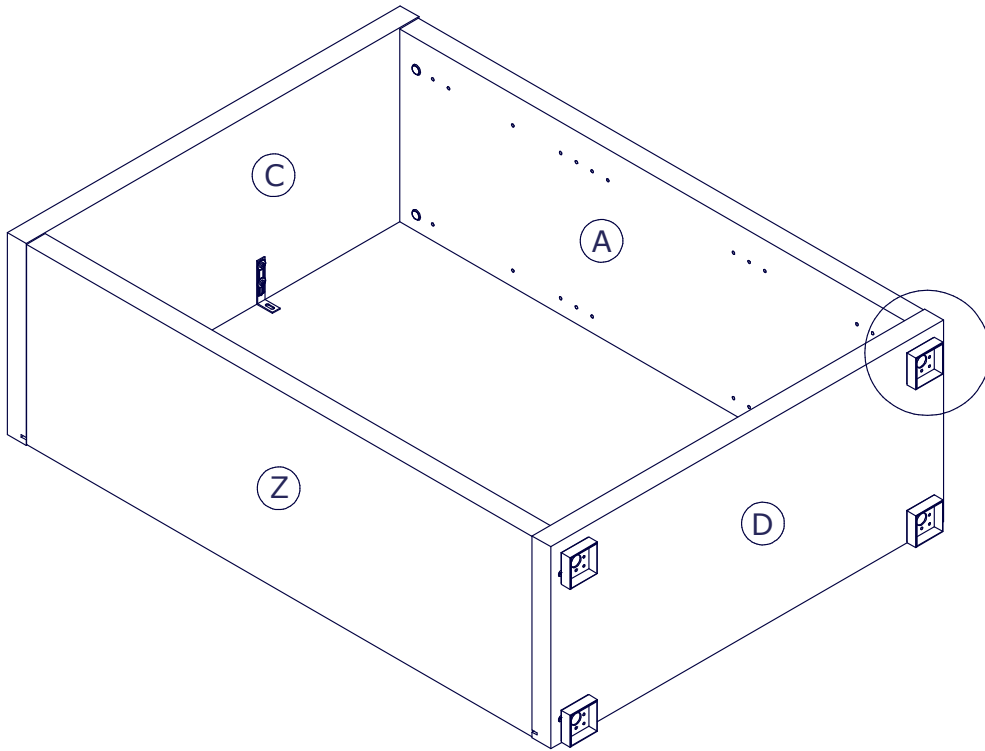
P45 x 4



V8 x 16



H233 x 4



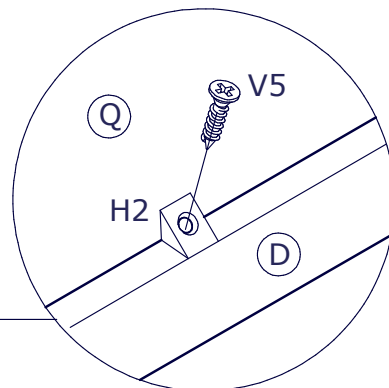
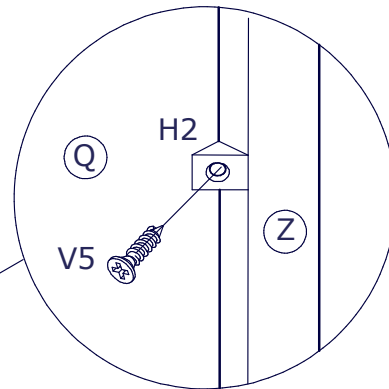
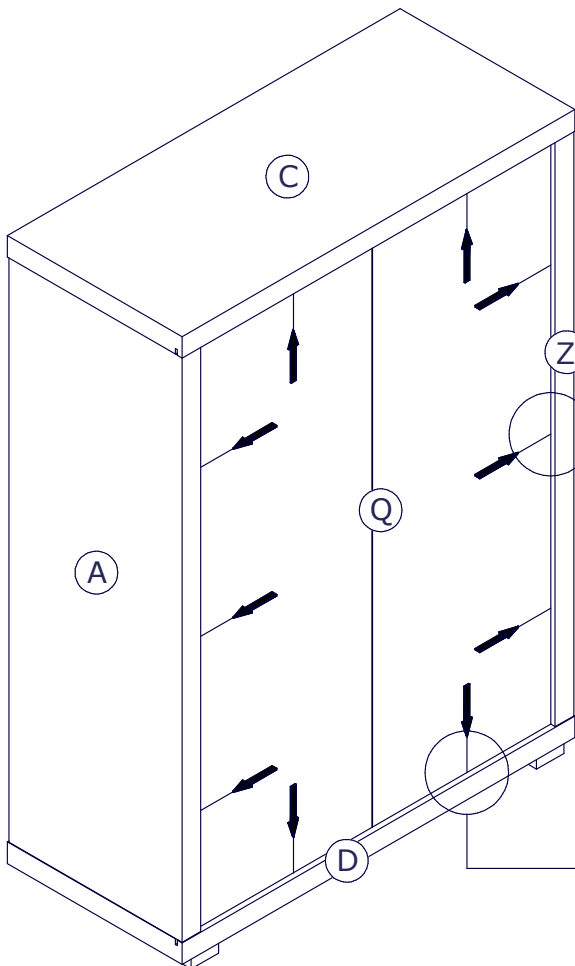
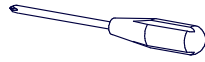
# 7



H2 x 10



V5 x 10



# 8

R40 x 8

