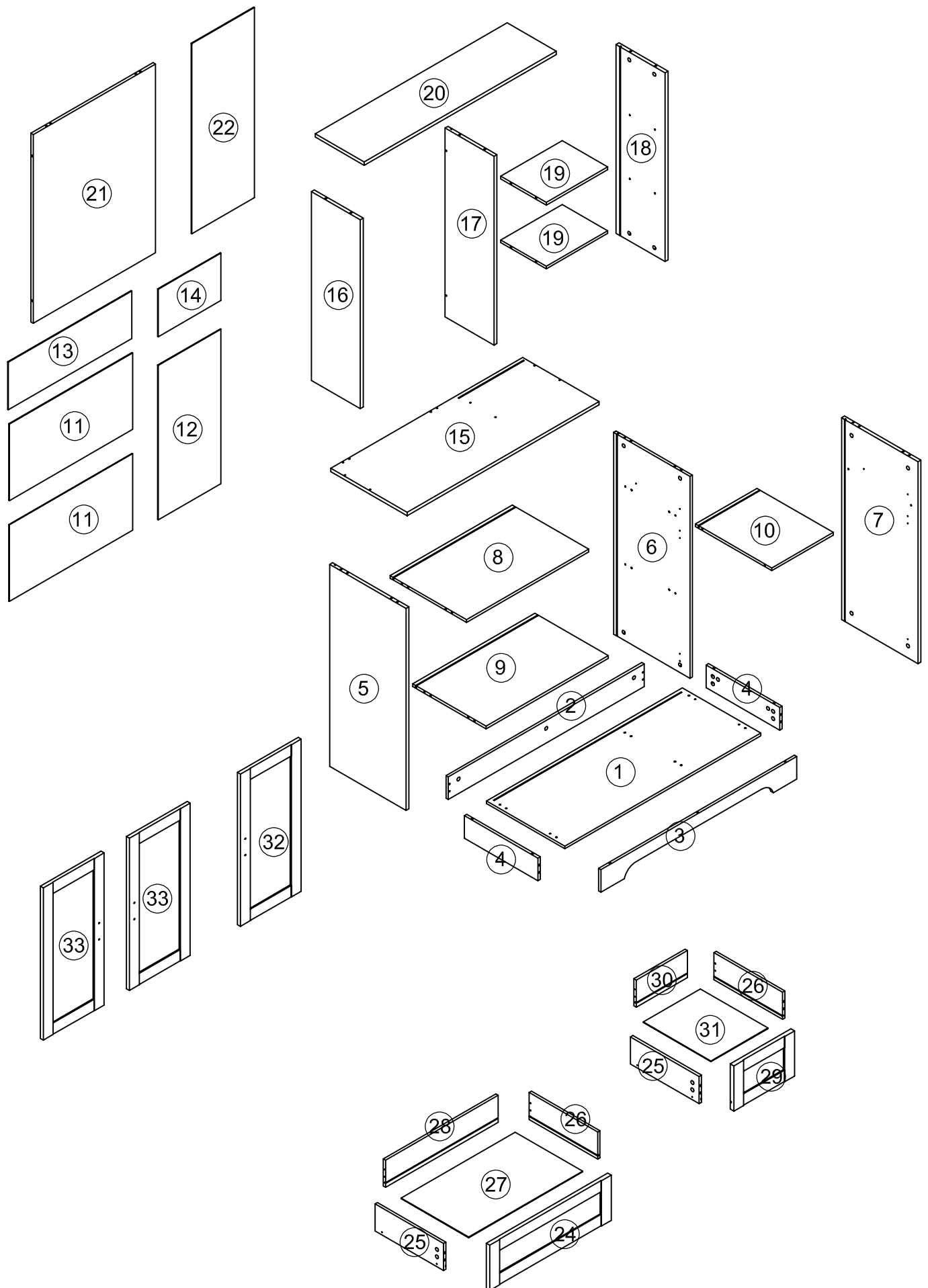
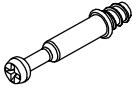


Parts List



Hardware

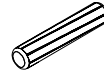
A x 78sets



B x 78pcs

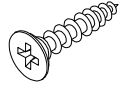


C x 28pcs



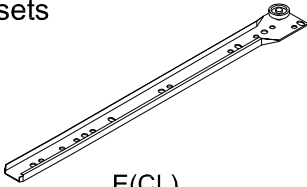
Φ8x40

D x 50pcs

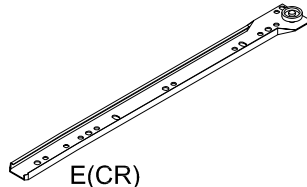


Φ3.5x14

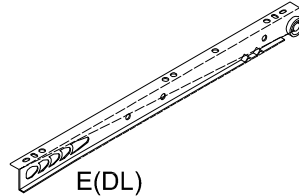
E x 2sets



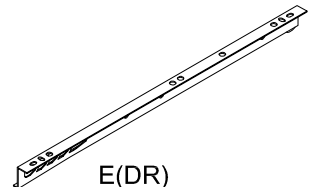
E(CL)



E(CR)

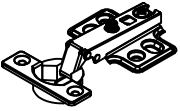


E(DL)

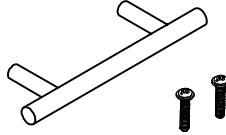


E(DR)

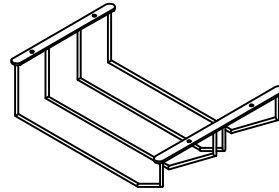
F x 6pcs



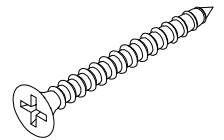
G x 5sets



H x 1set

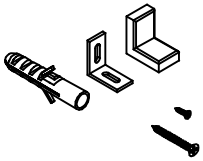


J x 8sets

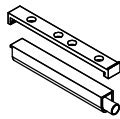


Φ3.5x35

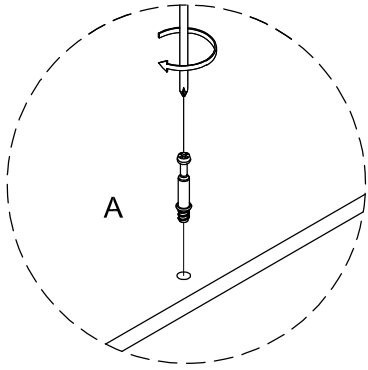
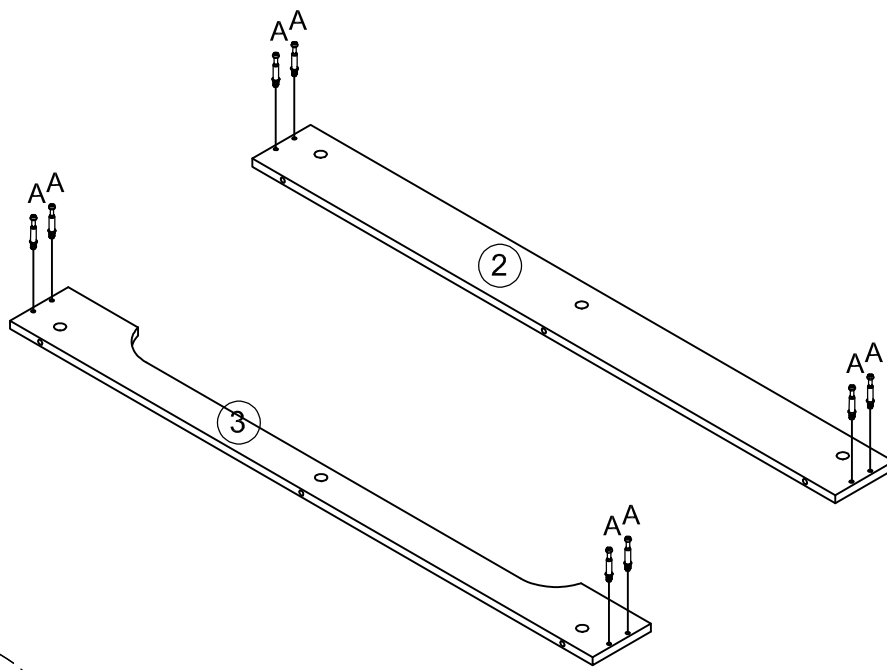
K x 2sets



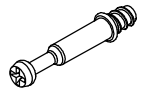
L x 1set



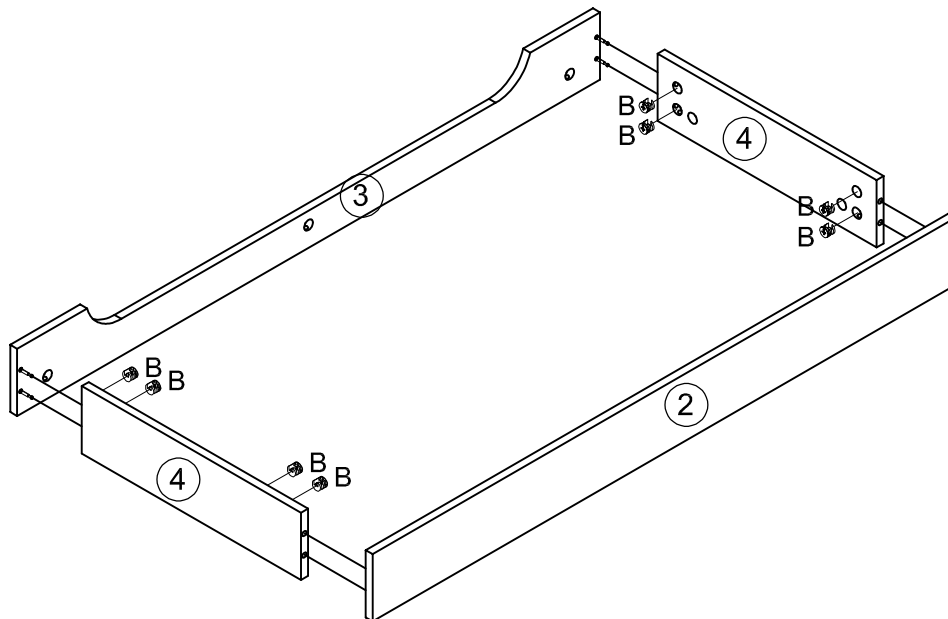
Step 1



A x 8pcs



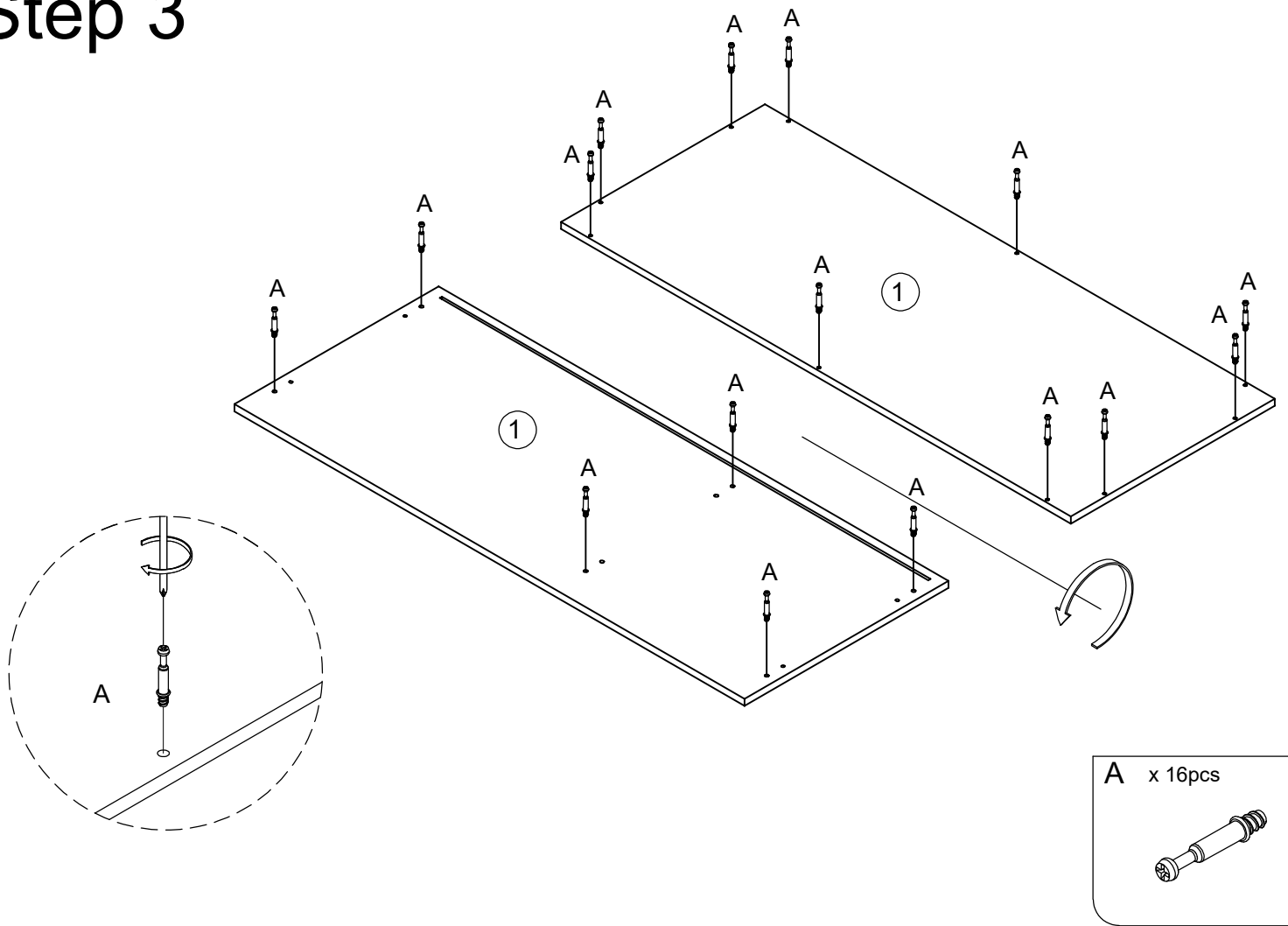
Step 2



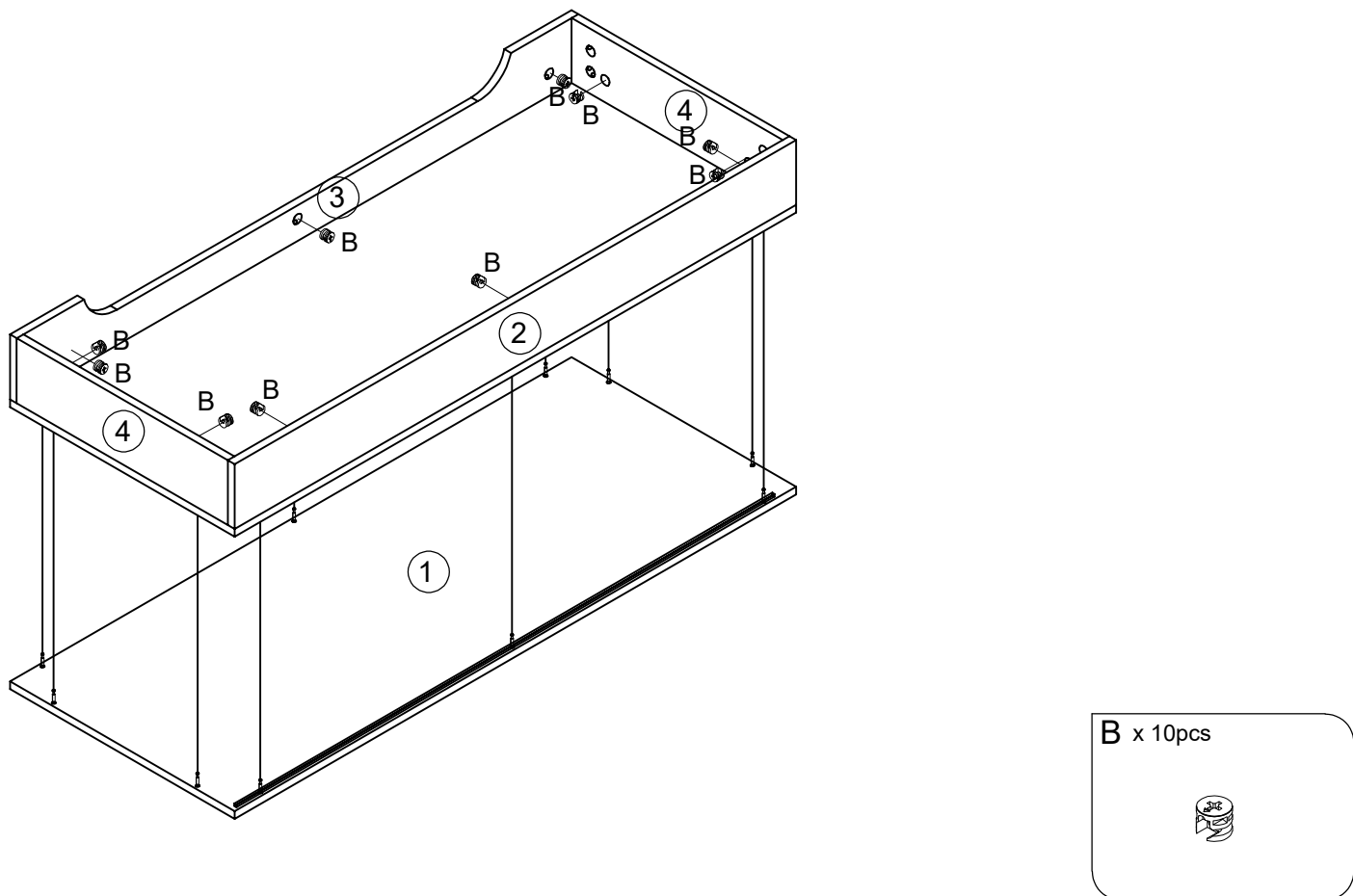
B x 8pcs



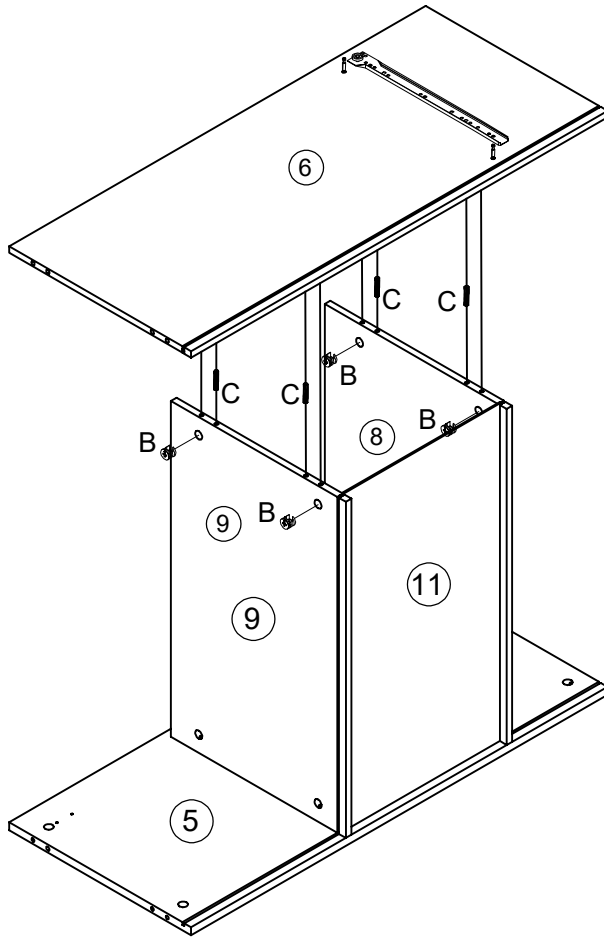
Step 3



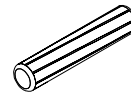
Step 4



Step 9



C x 4pcs

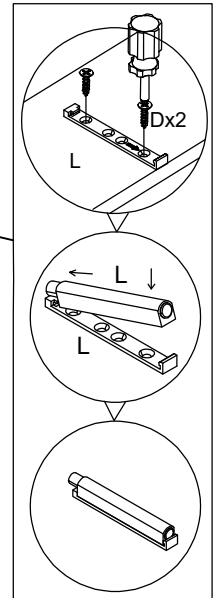
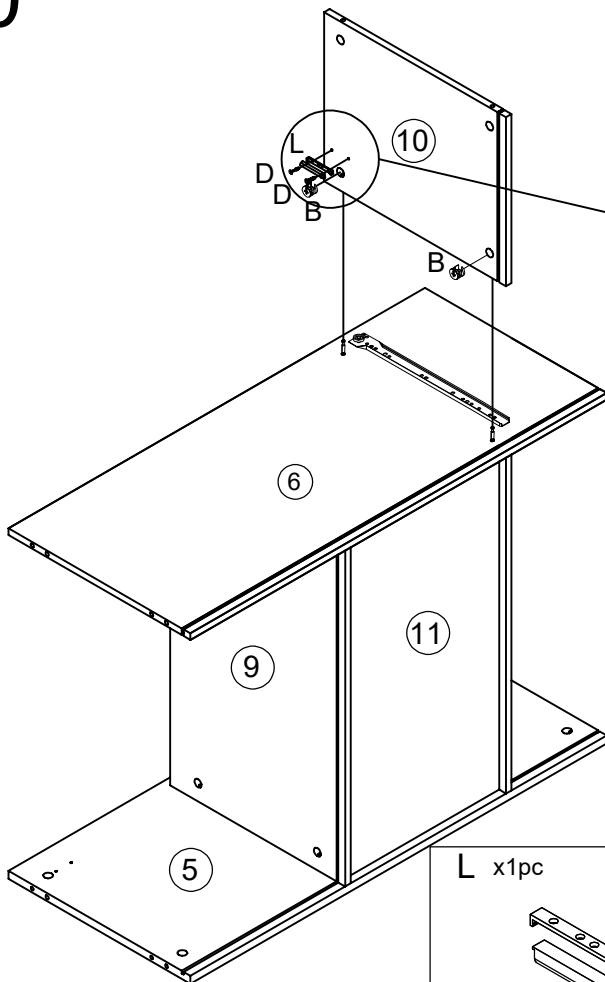


Φ8x40

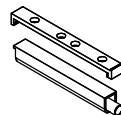
B x 4pcs



Step 10



L x 1pc



D x 2pcs

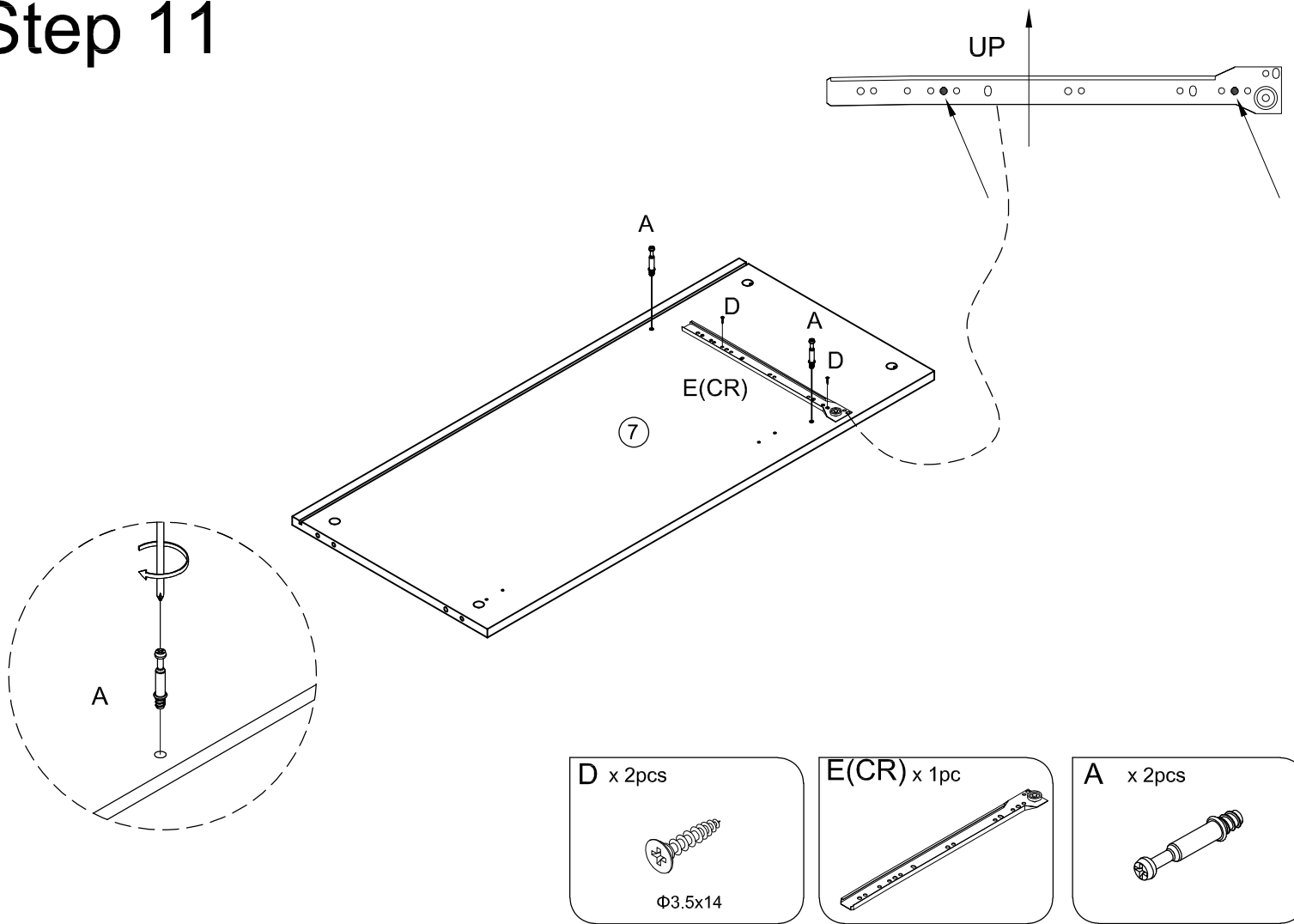


Φ3.5x14

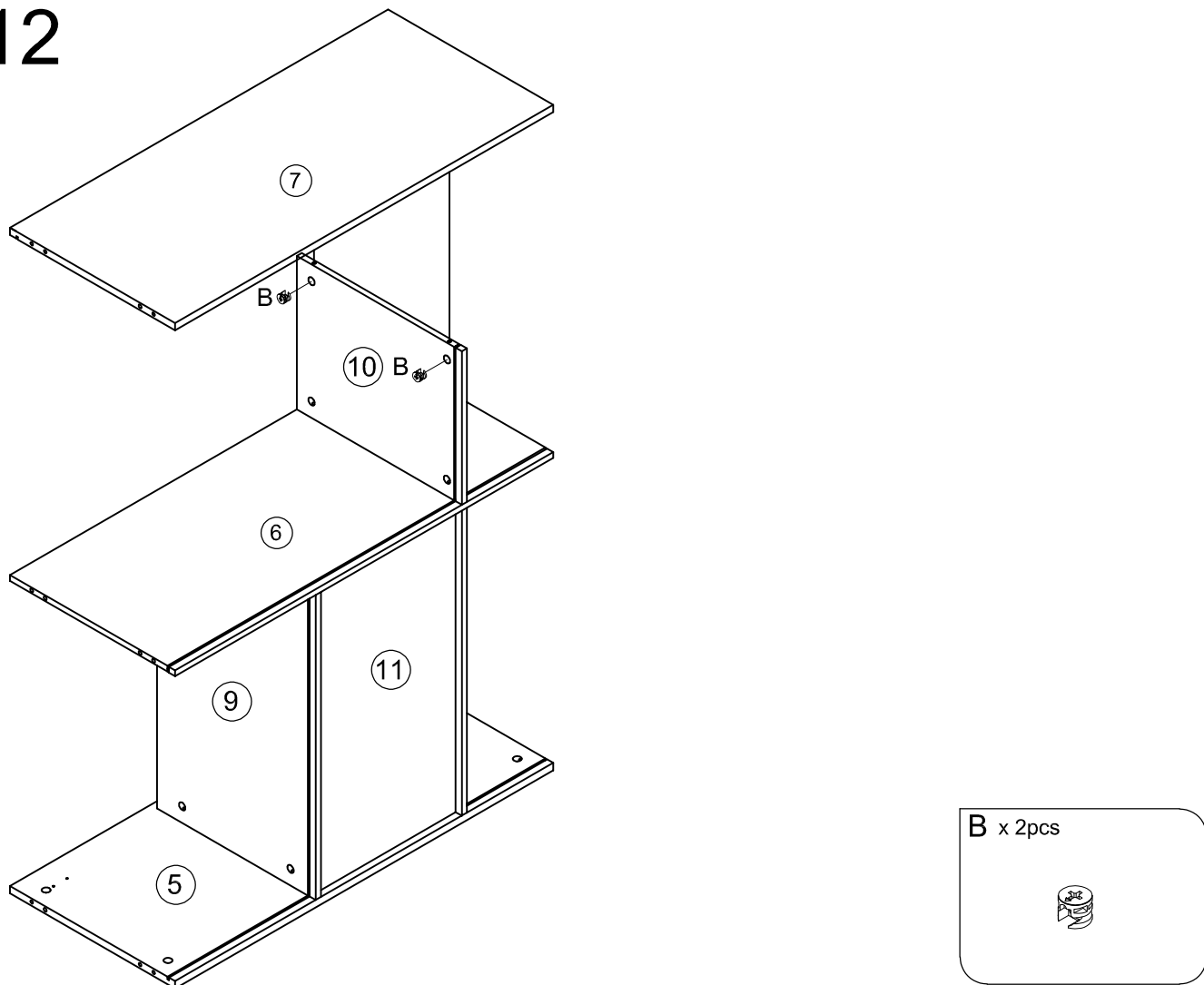
B x 2pcs



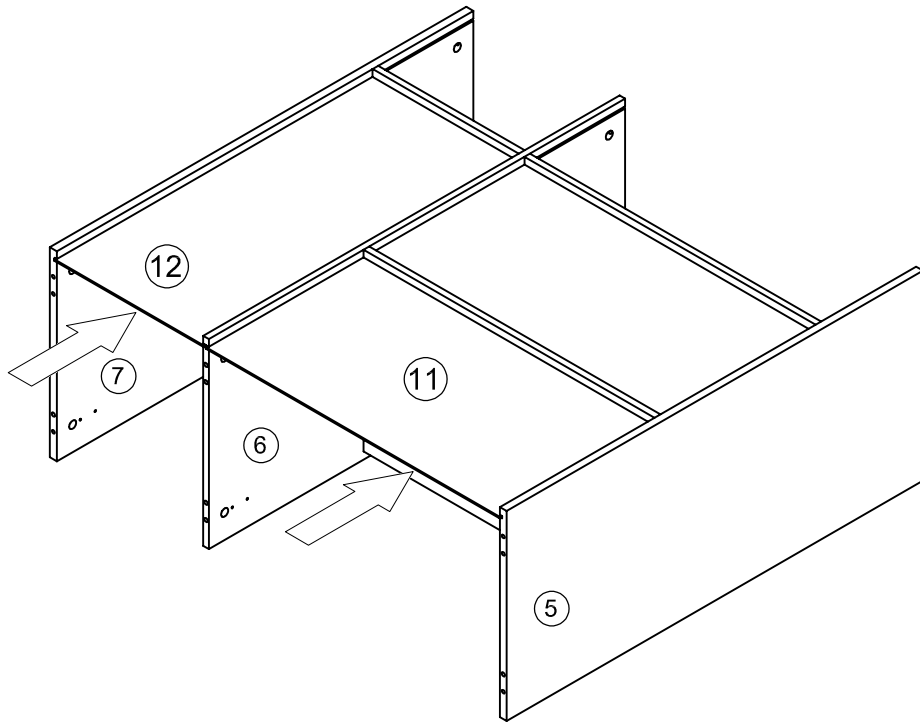
Step 11



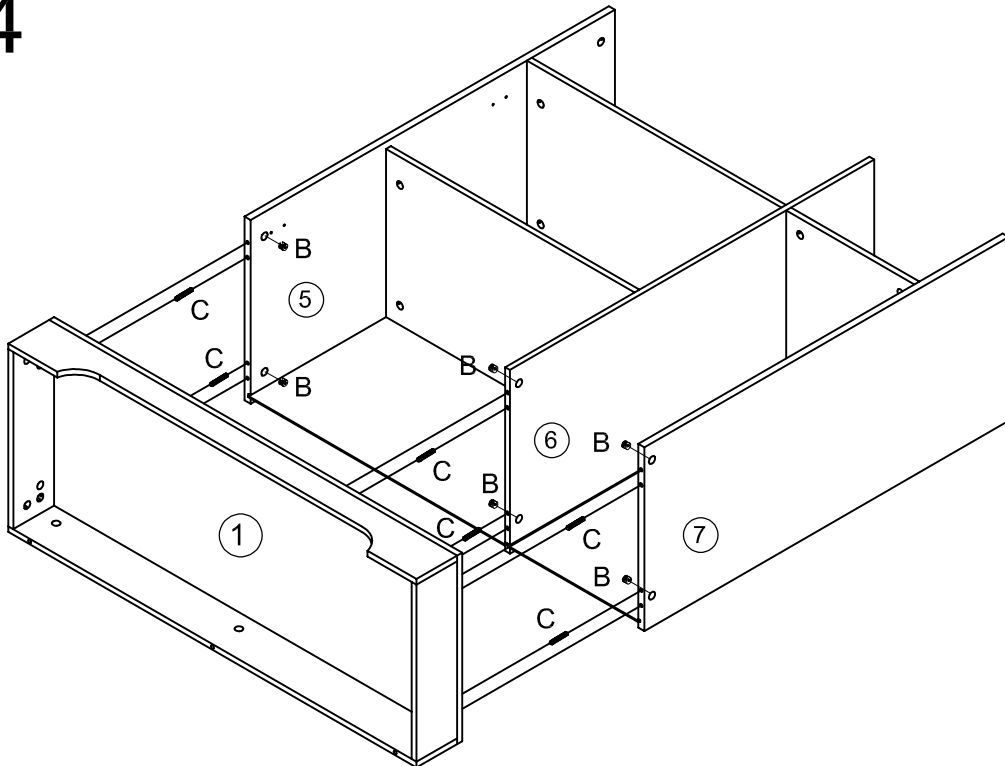
Step 12



Step 13



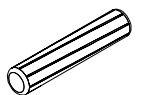
Step 14



B x 6pcs

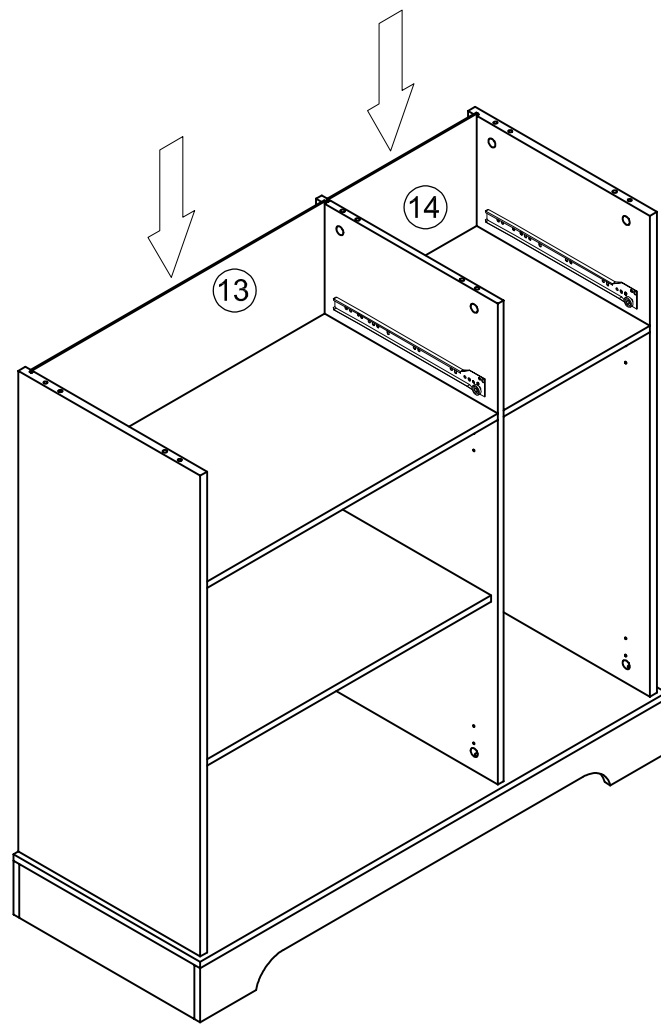


C x 6pcs

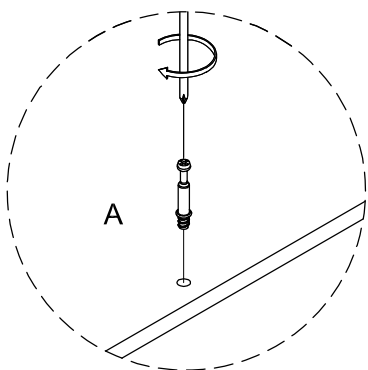
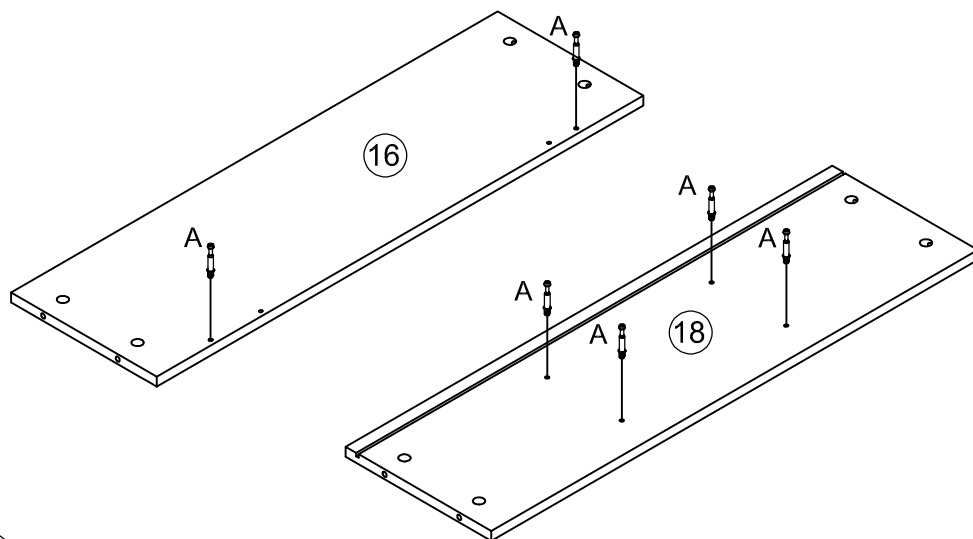


Φ8x40

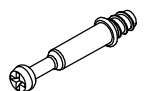
Step 15



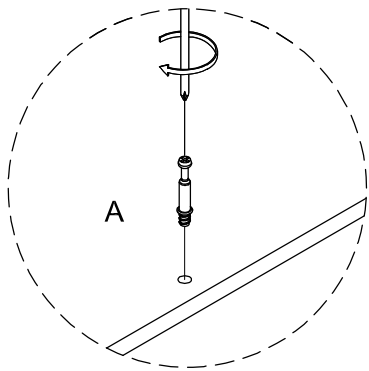
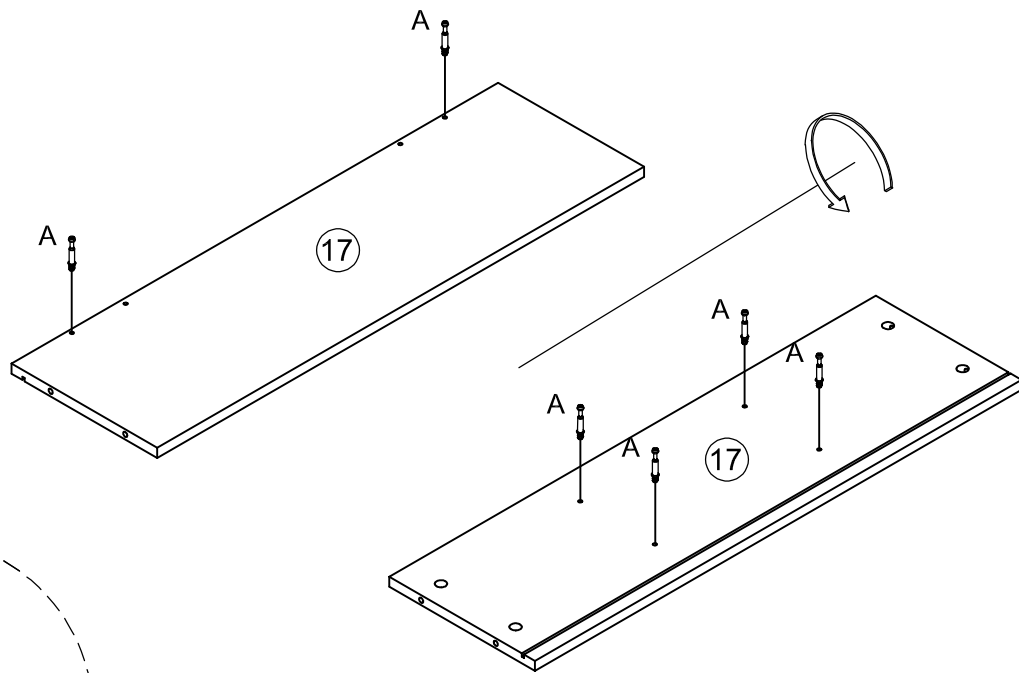
Step 16



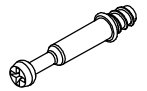
A x 6pcs



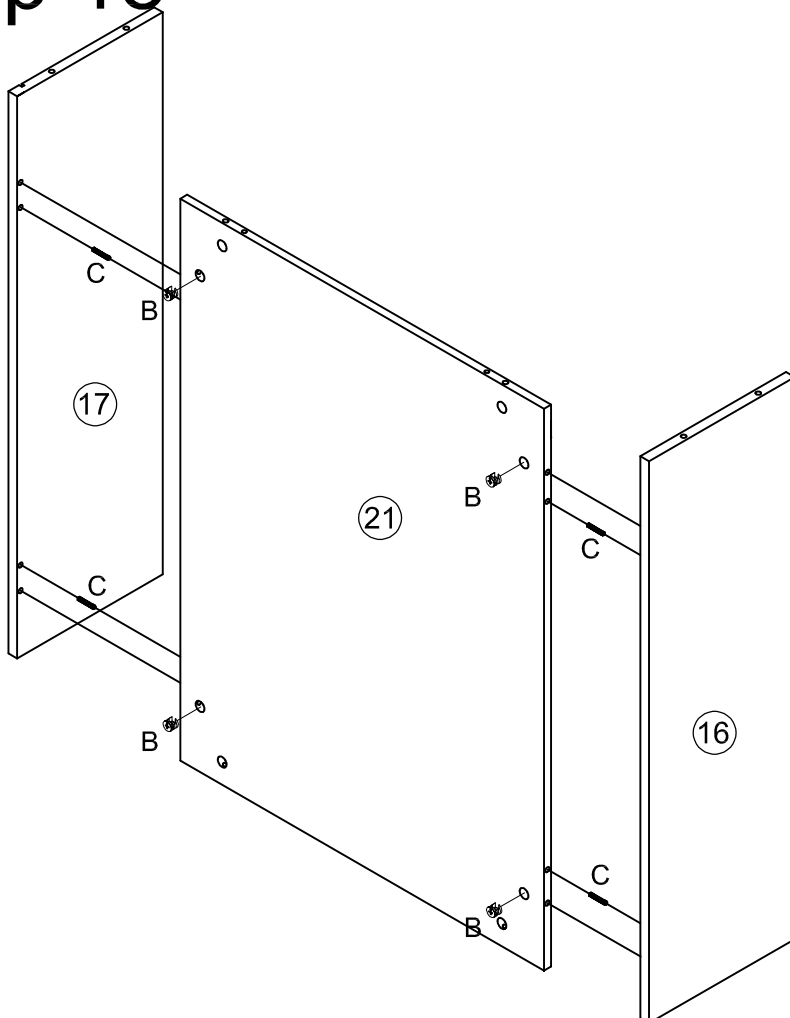
Step 17



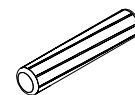
A x 6pcs



Step 18



C x 4pcs

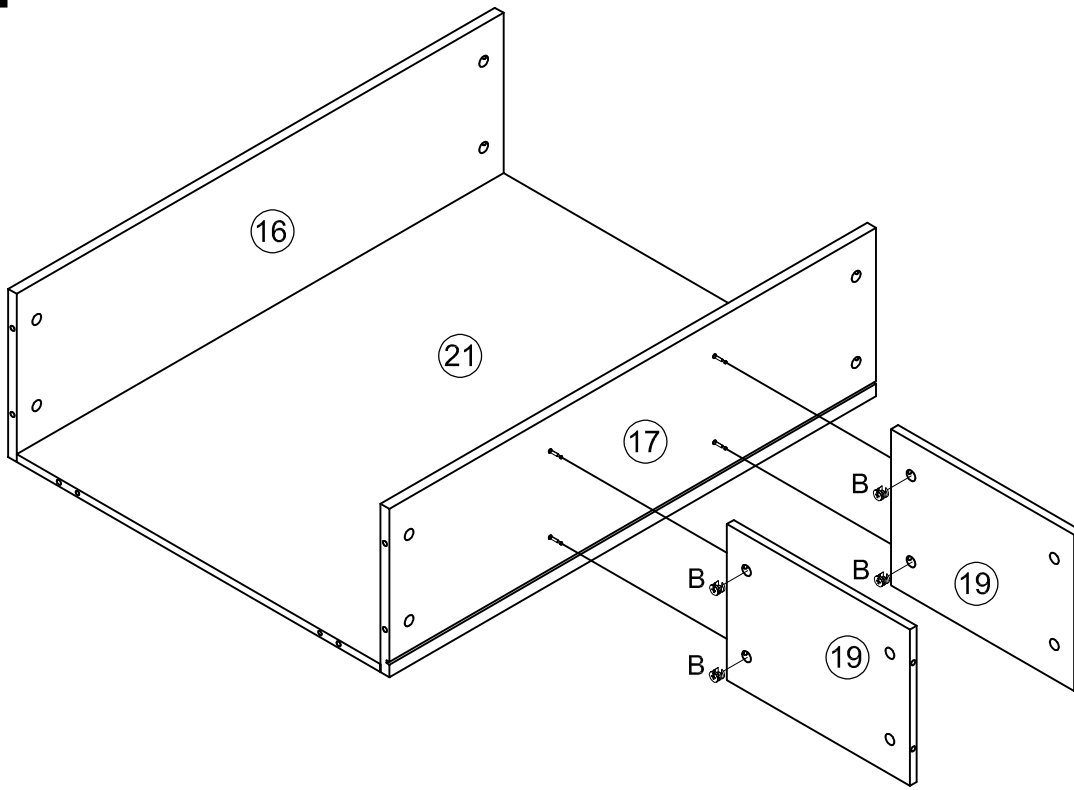


Φ8x40

B x 4pcs



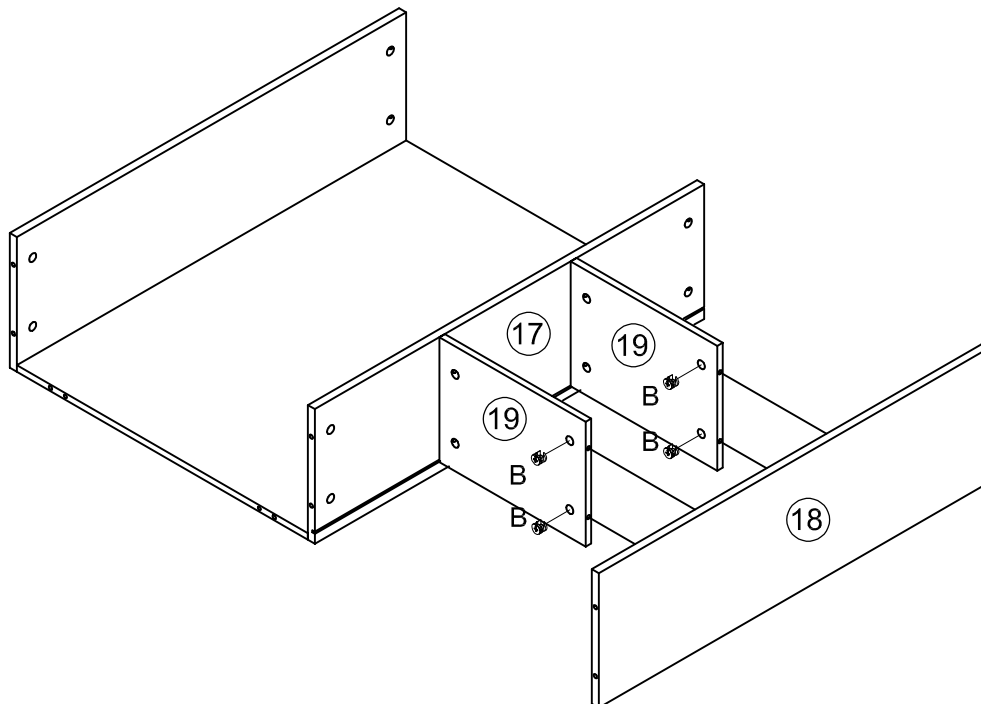
Step 19



B x 4pcs



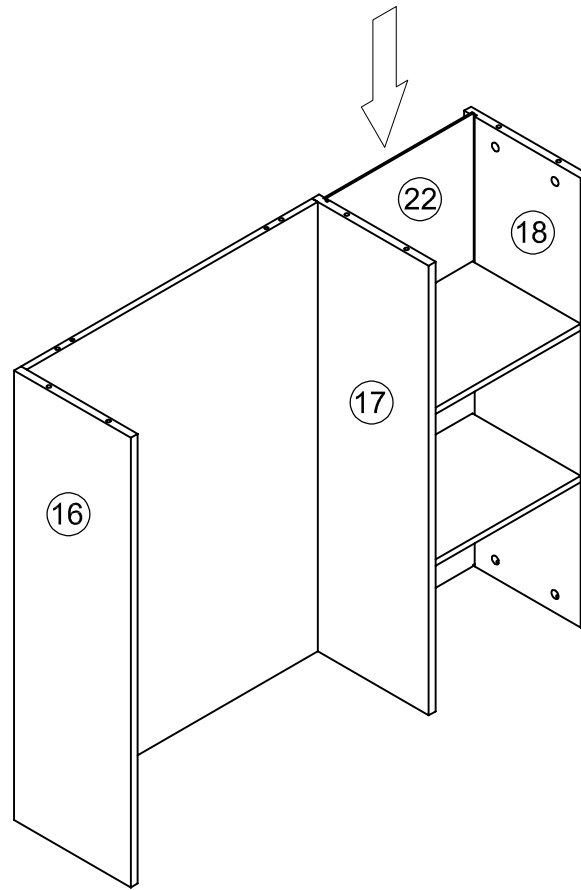
Step 20



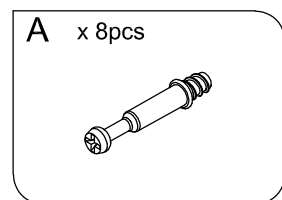
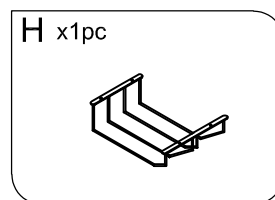
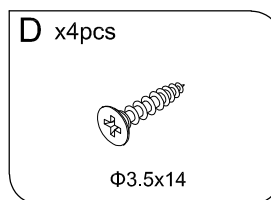
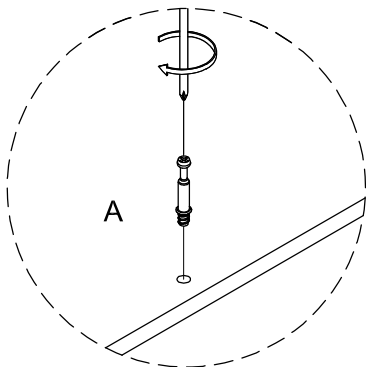
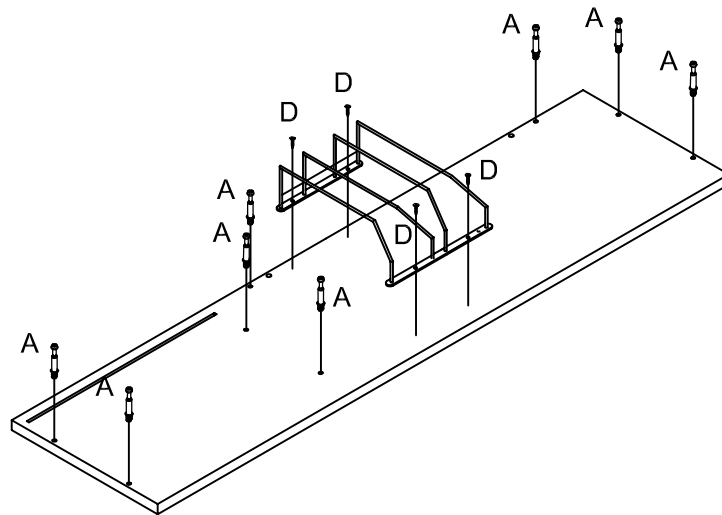
B x 4pcs



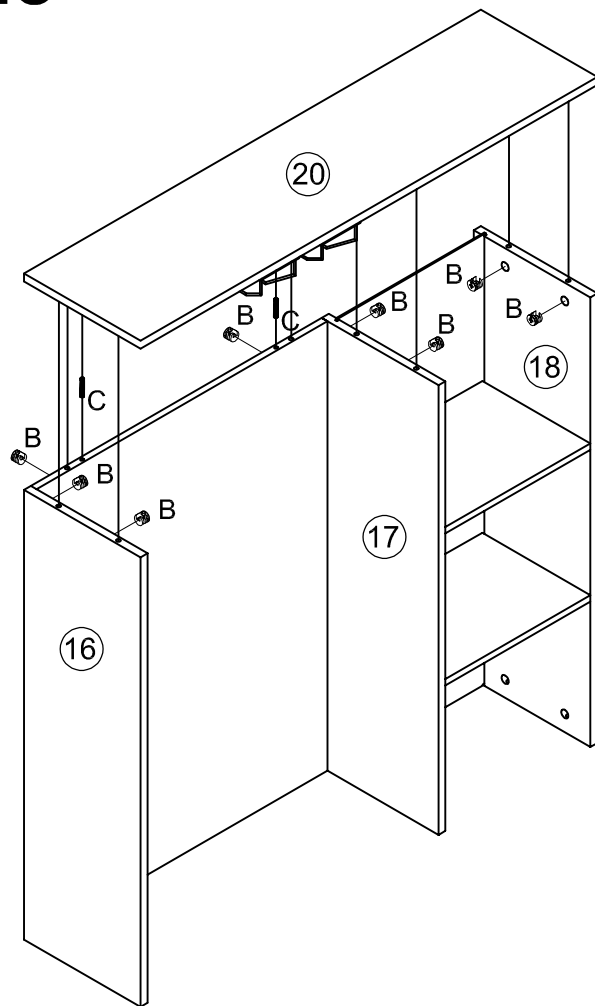
Step 21



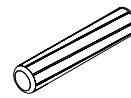
Step 22



Step 23



C x 2pcs

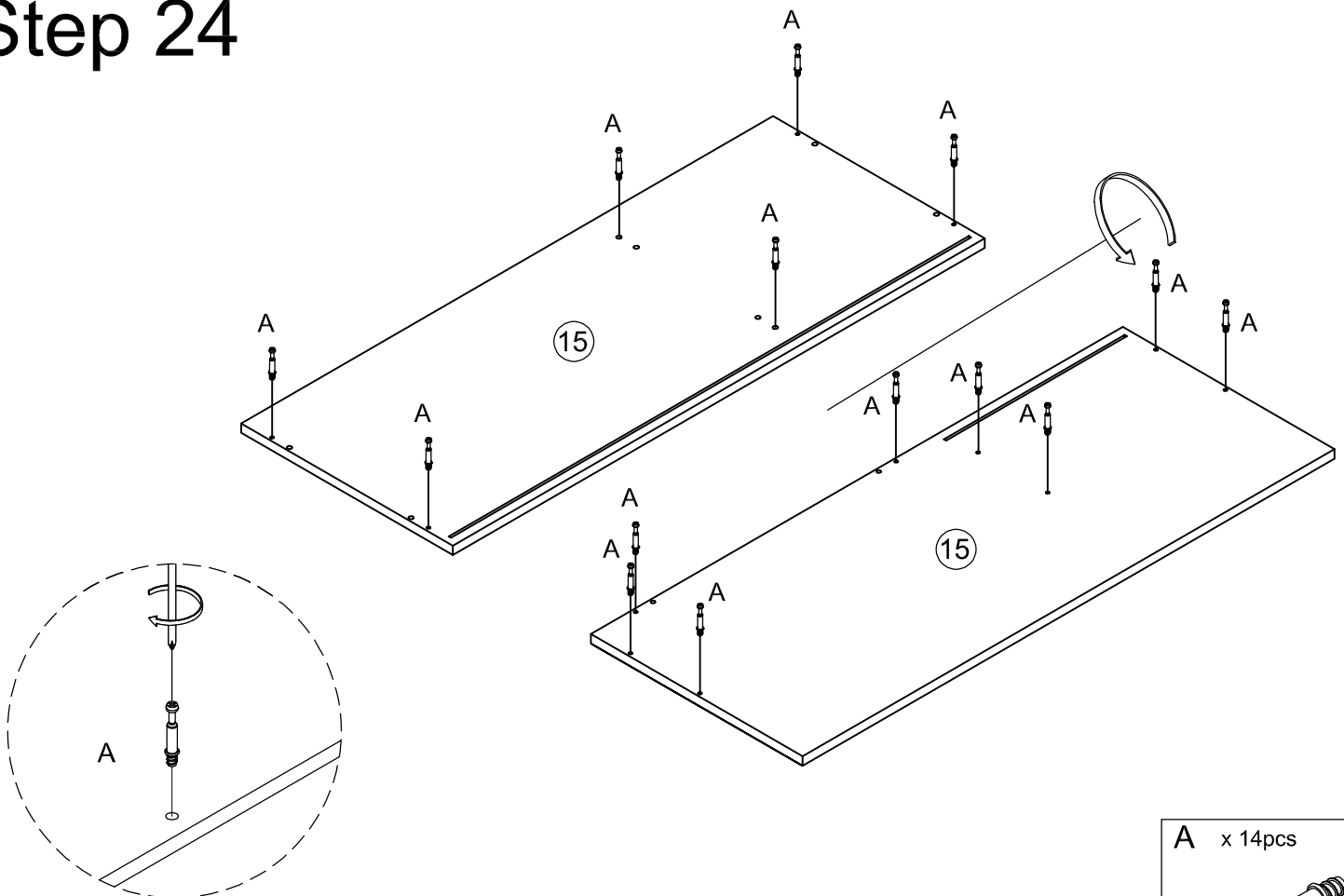


Φ8x40

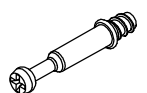
B x 8pcs



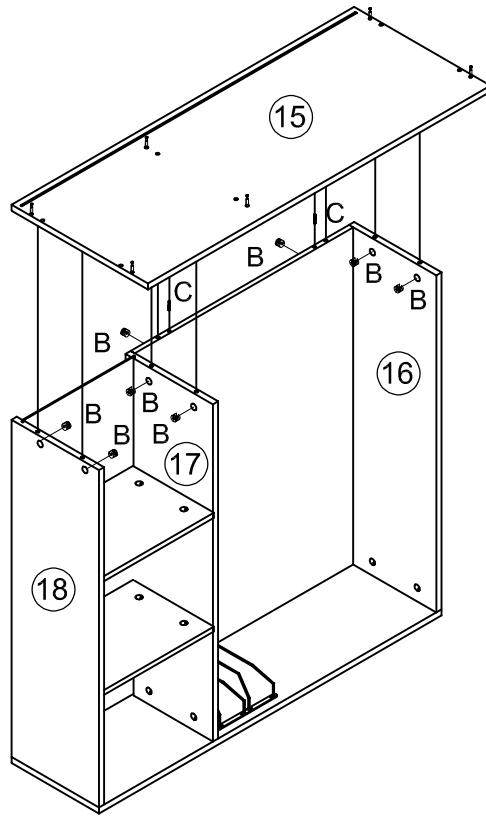
Step 24



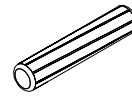
A x 14pcs



Step 25



C x 2pcs

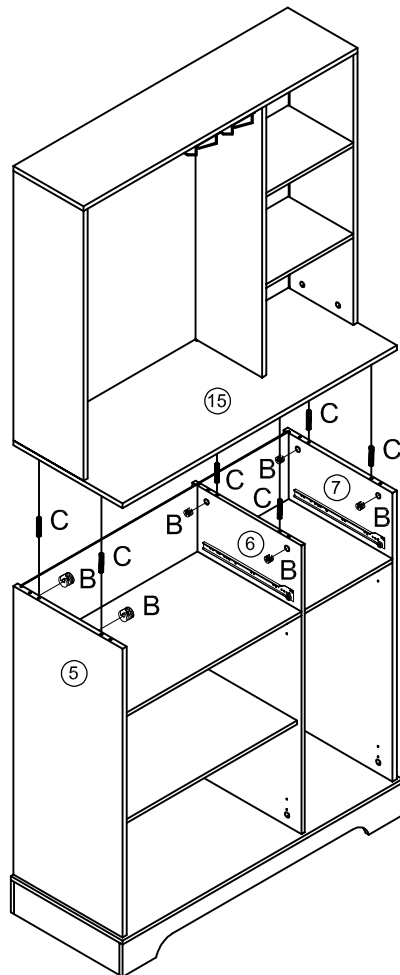


Φ8x40

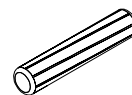
B x 8pcs



Step 26



C x 6pcs


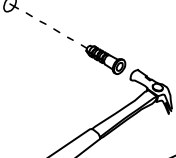
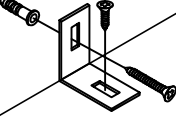
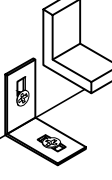


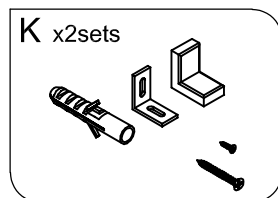
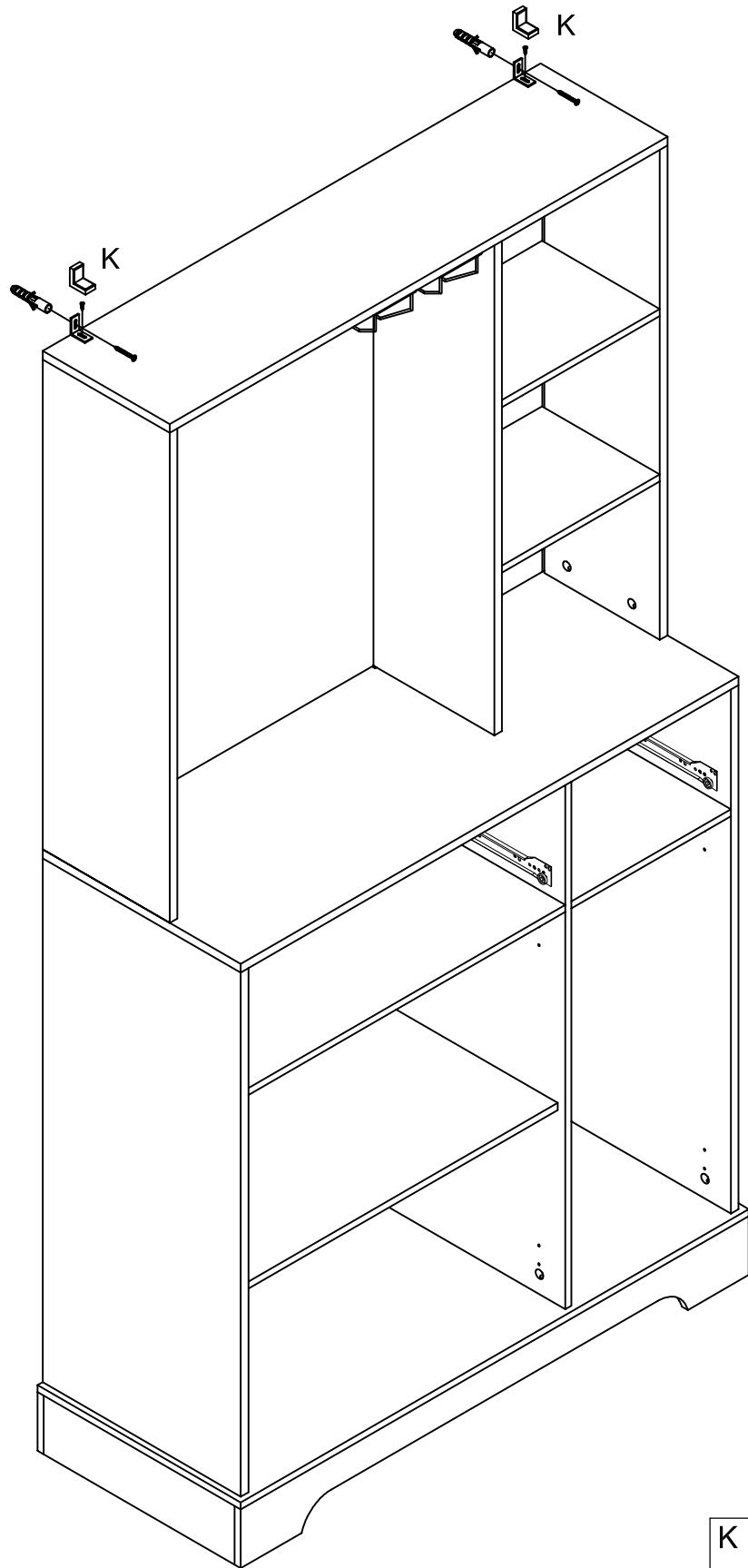
Φ8x40

B x 6pcs

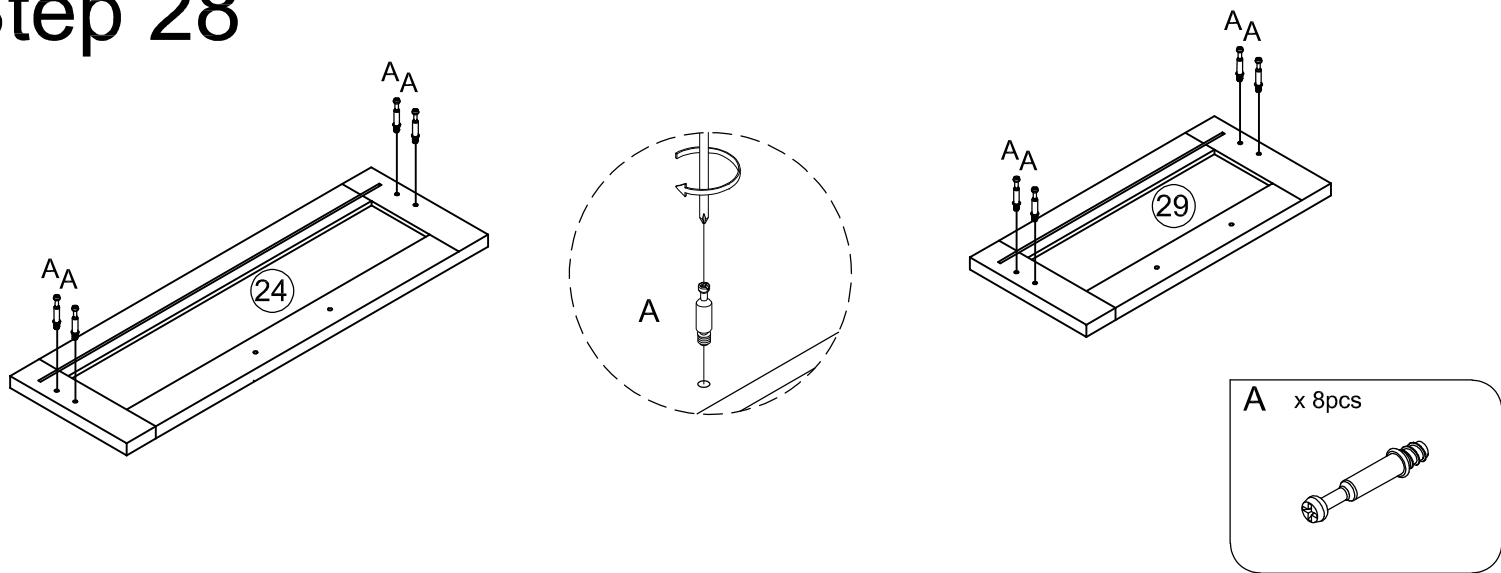


Step 27

1. 
2. 
3. 
4. 

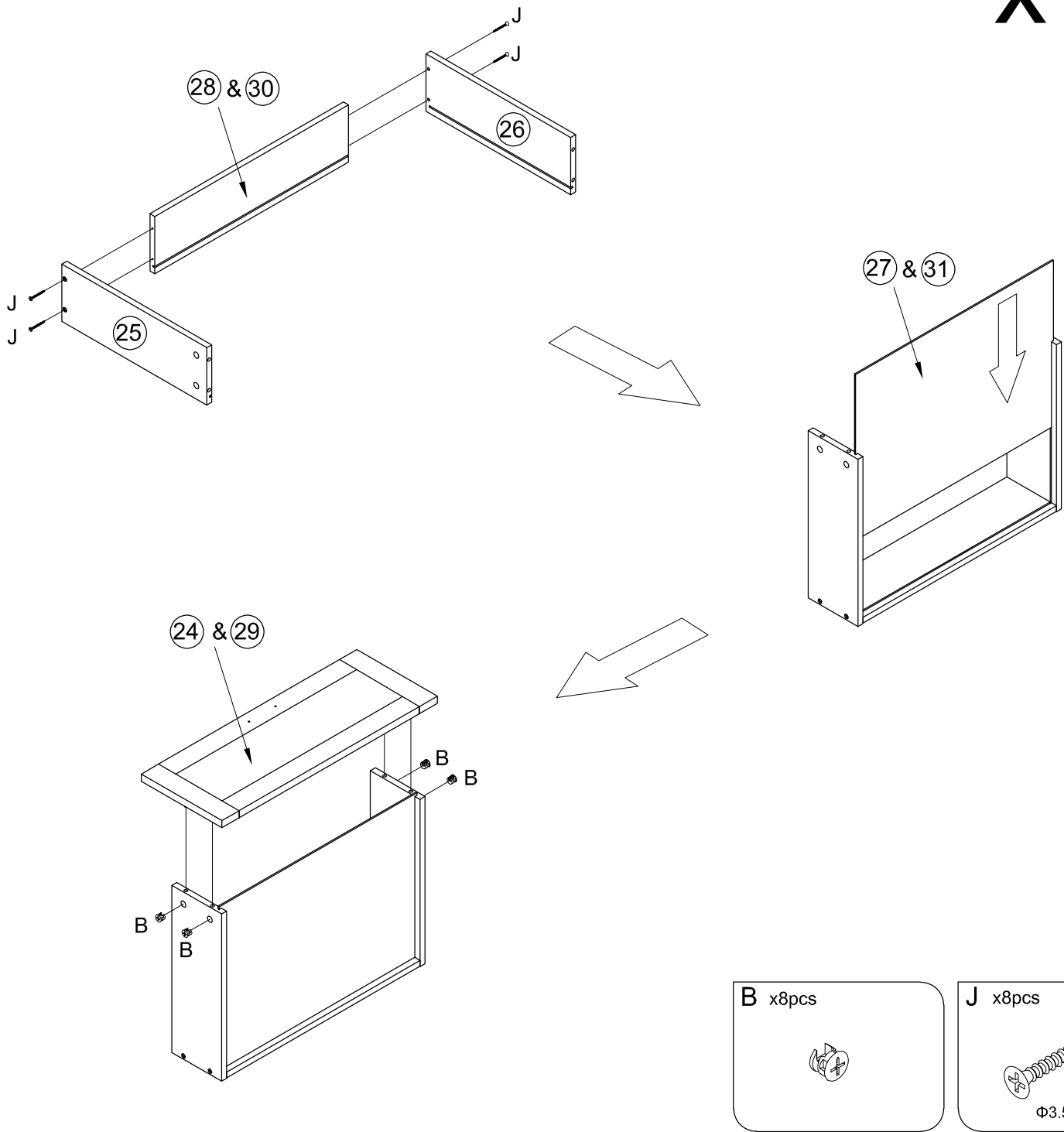


Step 28

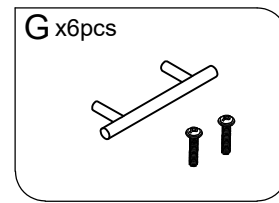
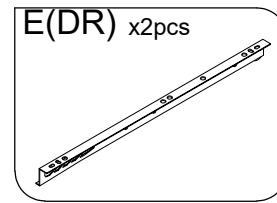
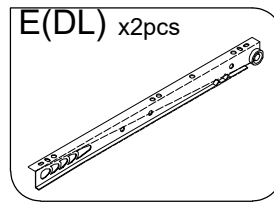
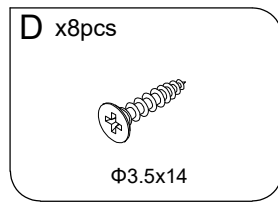
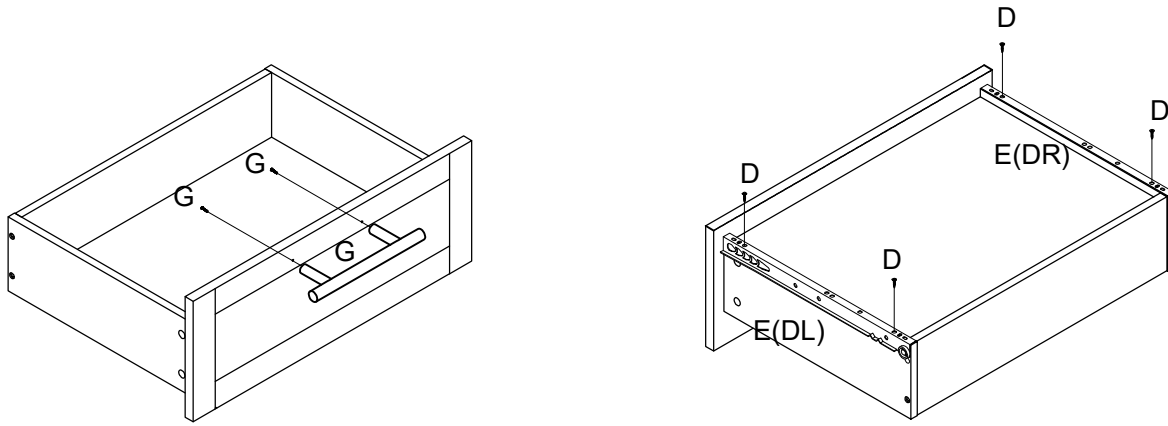


Step 29

x 2



Step 30



Step 31

