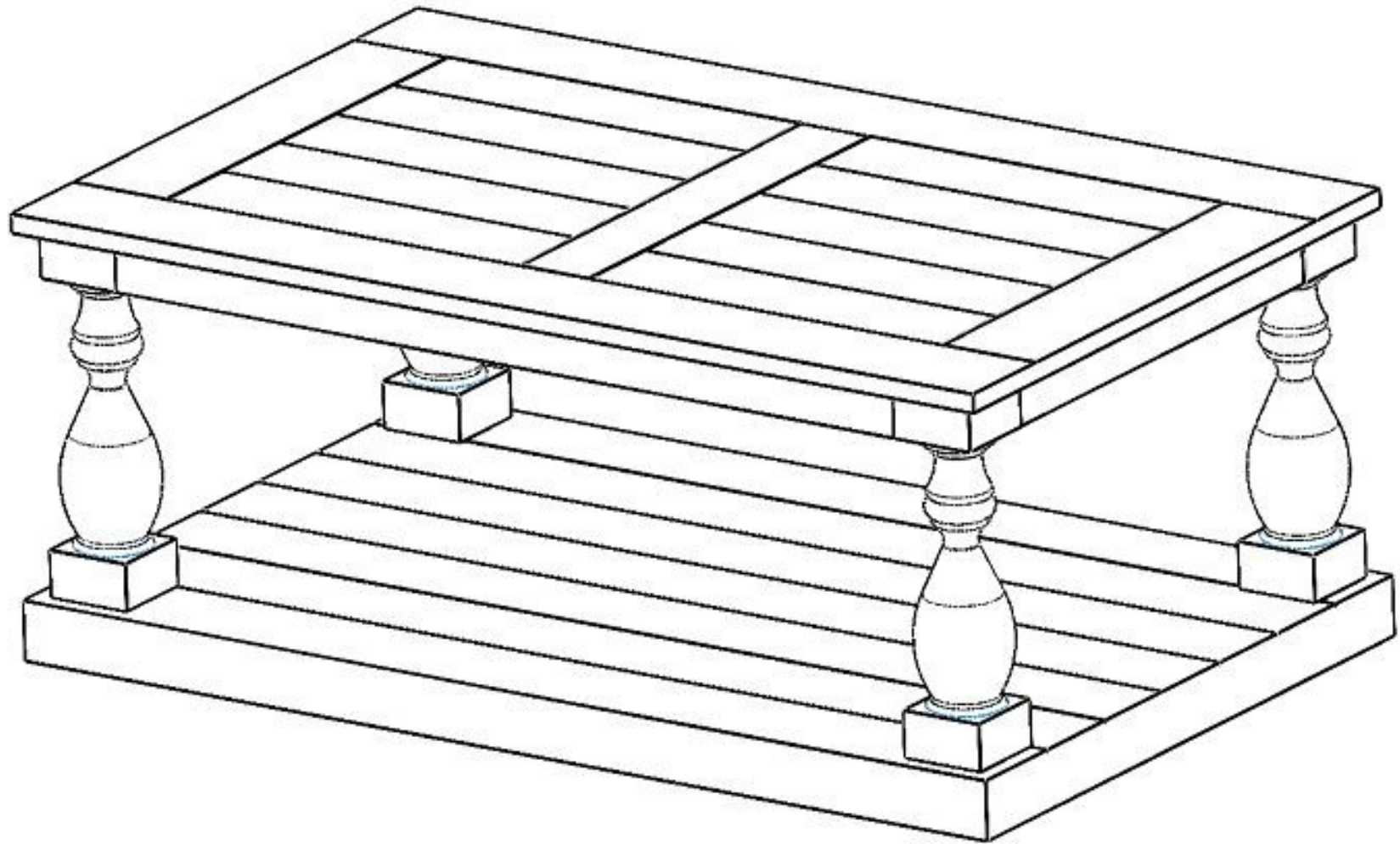
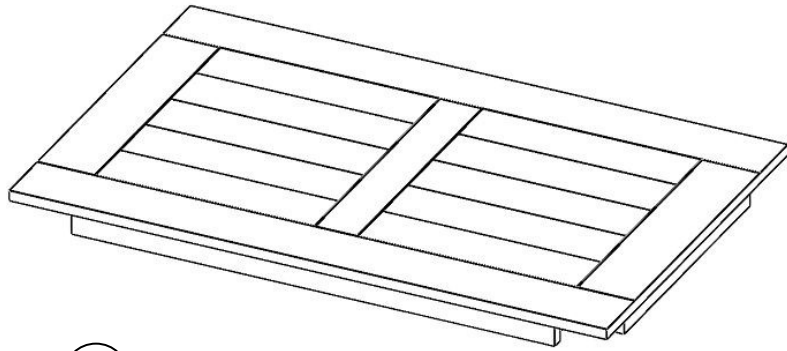


ASSEMBLY INSTRUCTION

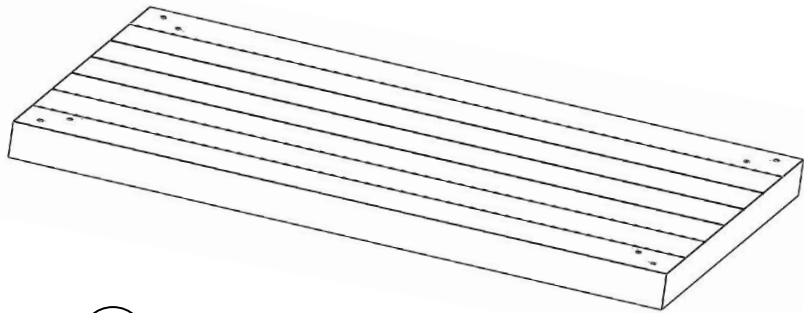
WF287269



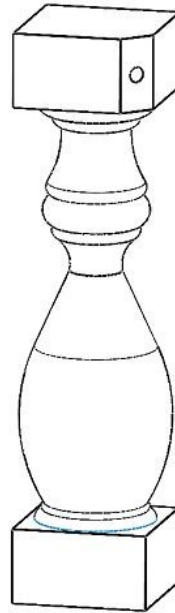
PART LIST



- ① Top component
Q.Ty: 1pc



- ② Bottom component
Q.ty: 1pc

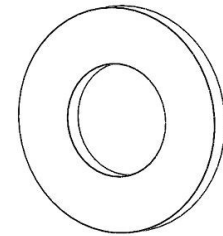


- ③ Legs
Q.ty: 4pcs

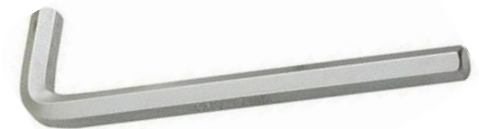
HARDWARE LIST



- ④ 6x60mm
Q.ty: 12pcs



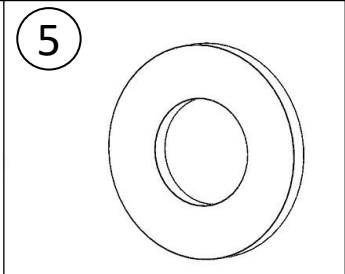
- ⑤ 6x20mm
Q.ty: 12pcs



- ⑥ Allen Key
Q.ty: 1pc

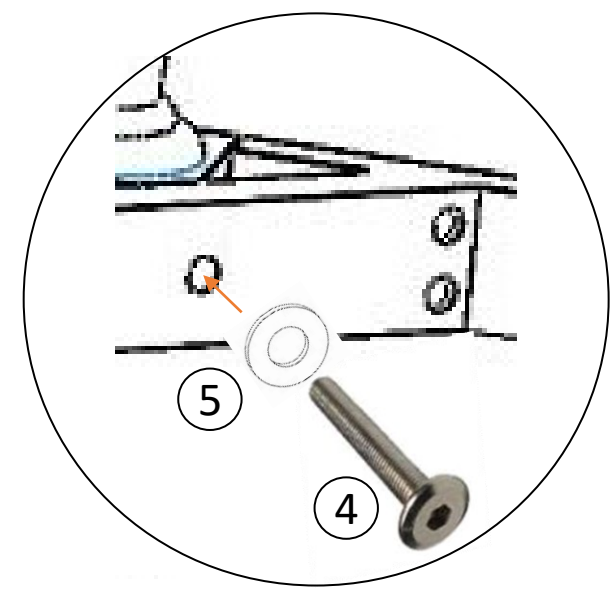


4pcs

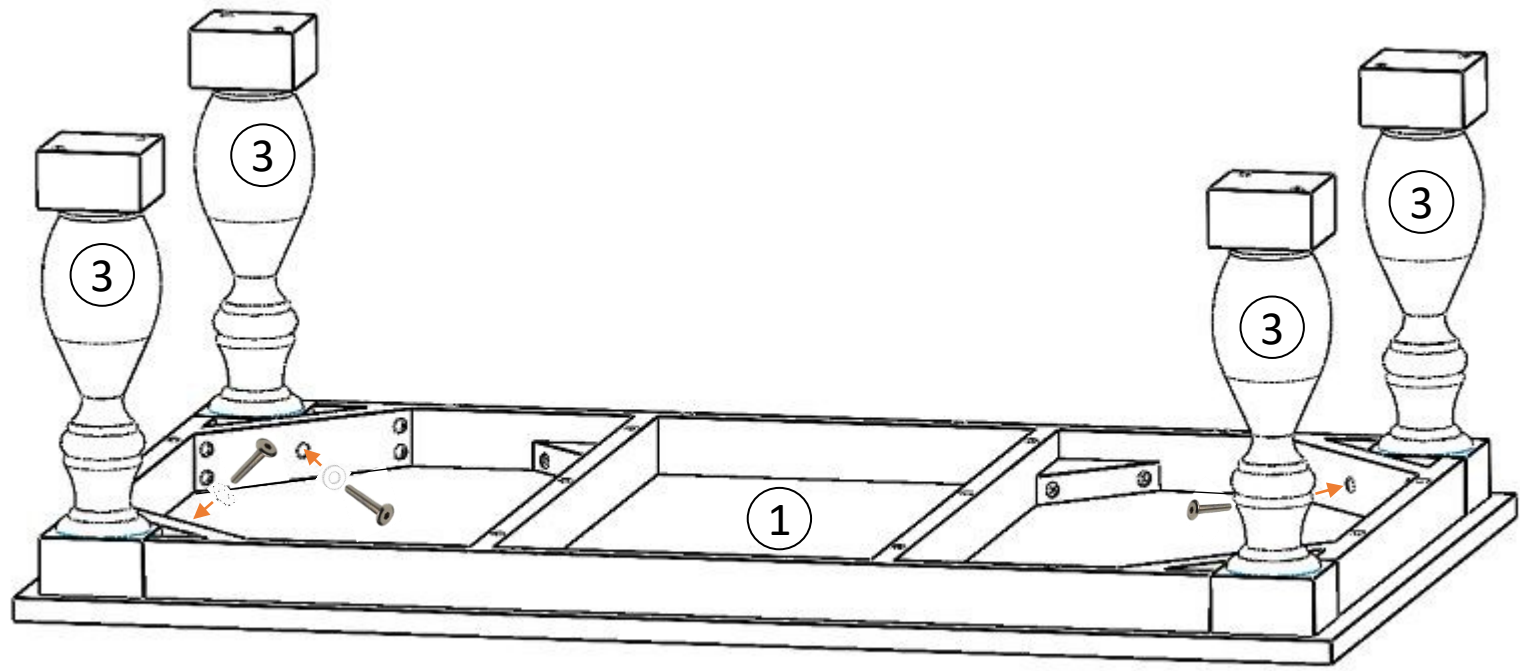


4pcs

STEP 1



DETAIL X

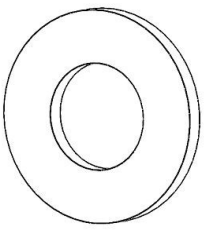


4



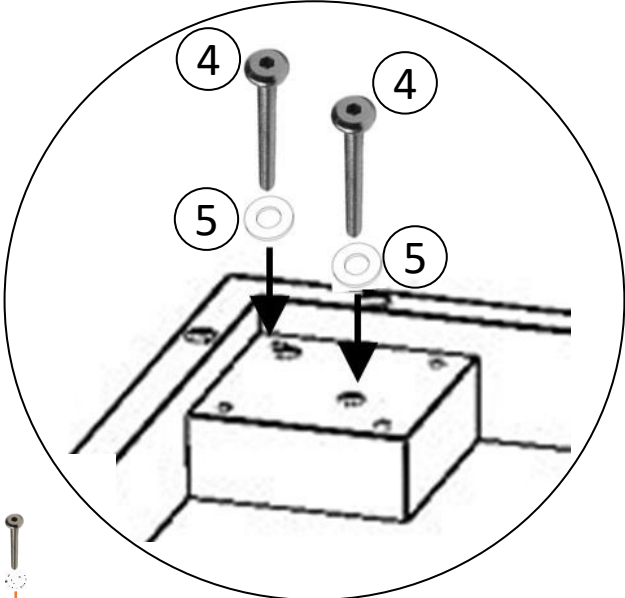
8pcs

5



8pcs

STEP 2



DETAIL Y

