




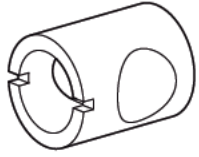


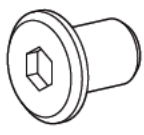
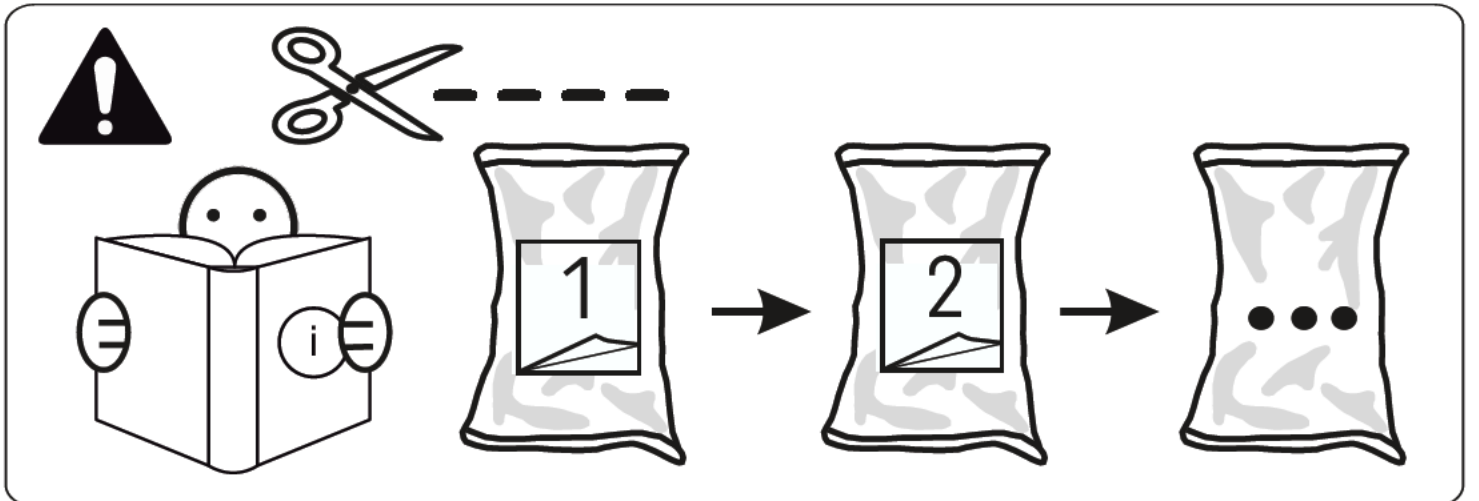
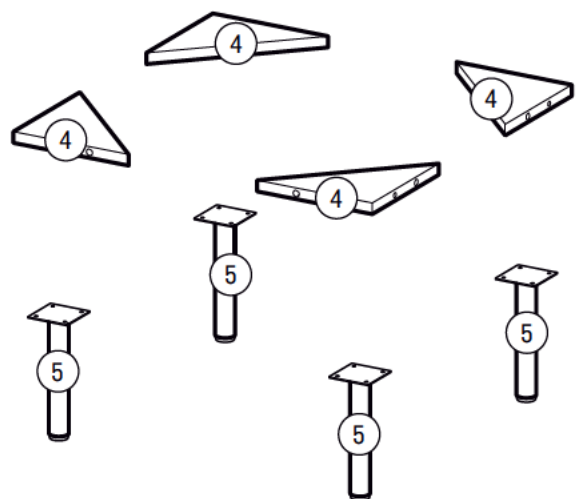
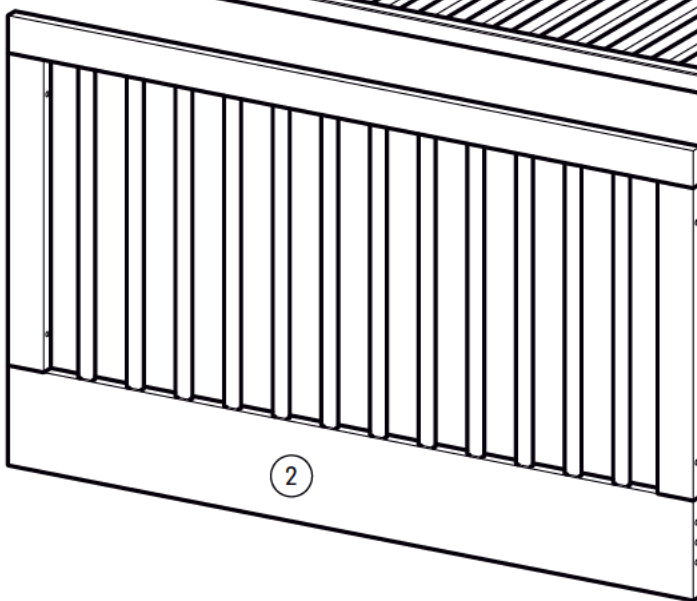
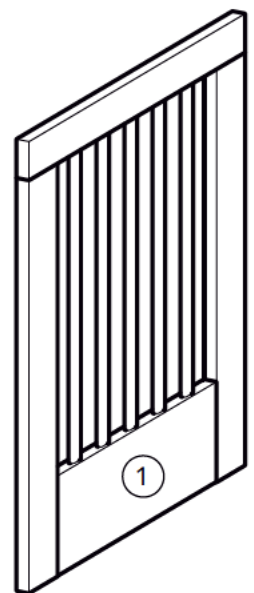
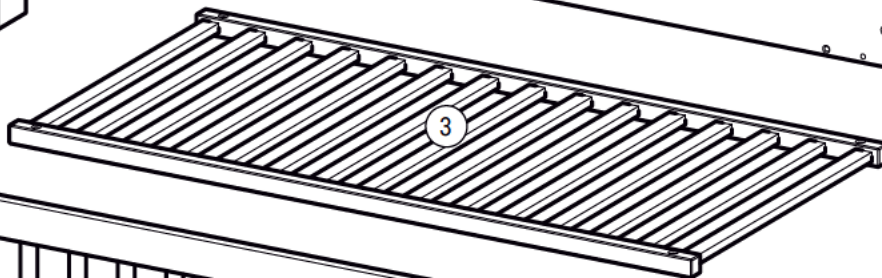
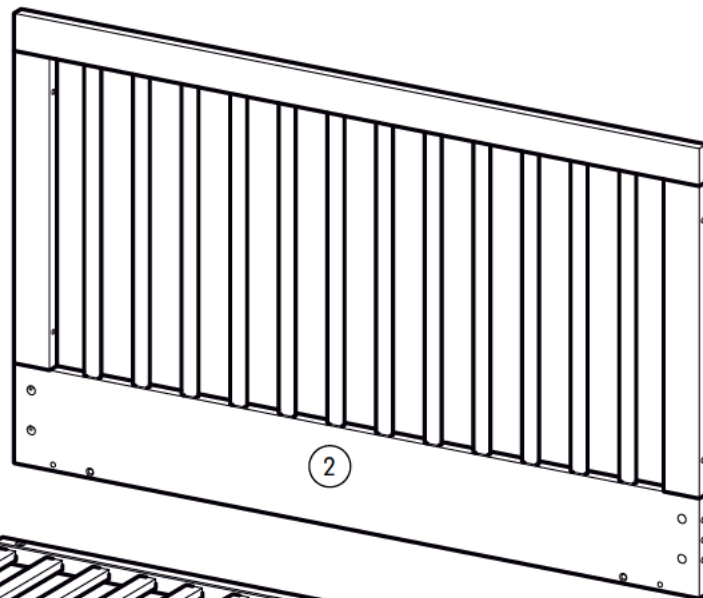
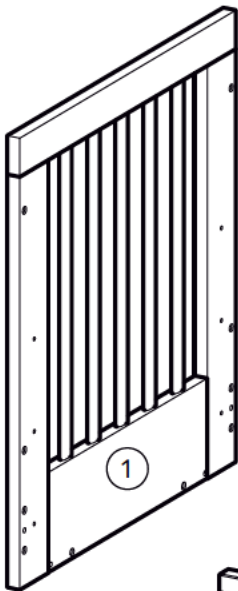
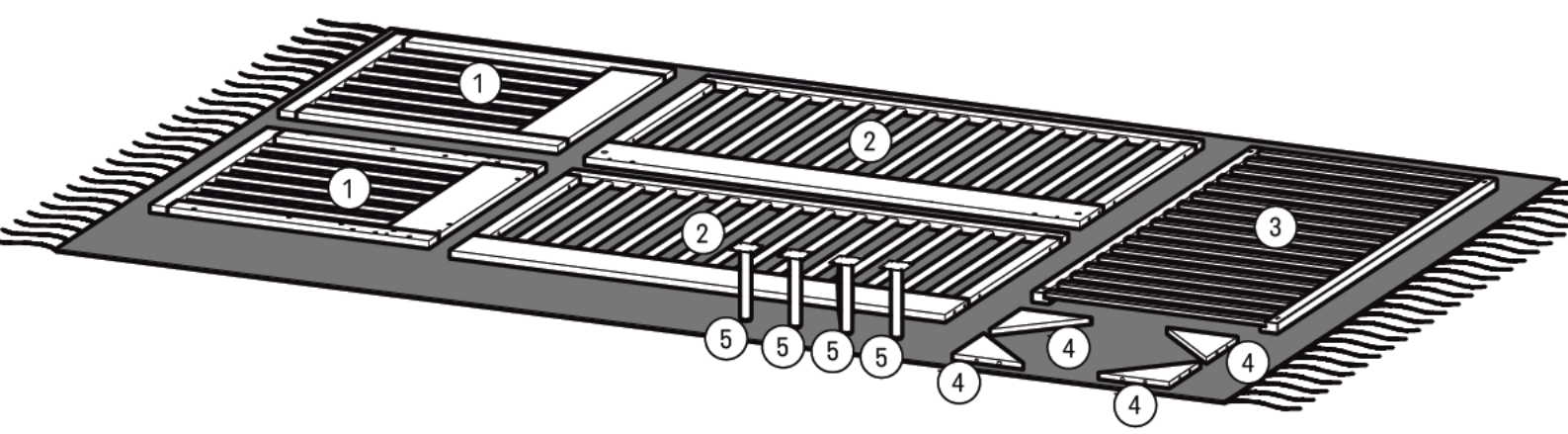
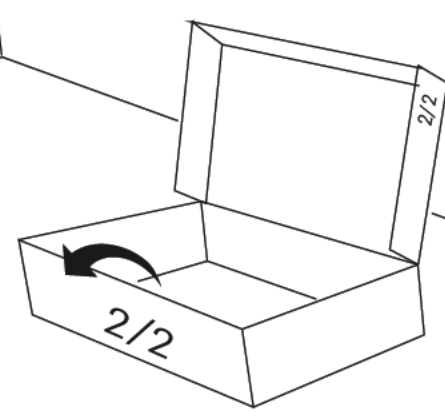
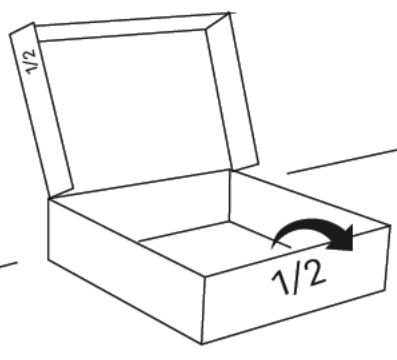


<p>1000806</p>  <p>x 1</p>	<p>1005857</p>  <p>x 12</p>	<p>1008564</p>  <p>x 8</p>
<p>K000001</p>  <p>x 16</p>	<p>K000002</p>  <p>x 16</p>	<p>K000003</p>  <p>x 16</p>
<p>1005681</p>  <p>x 16</p>	<p>K000004</p>  <p>x 4</p>	<p>K000005</p>  <p>x 4</p>

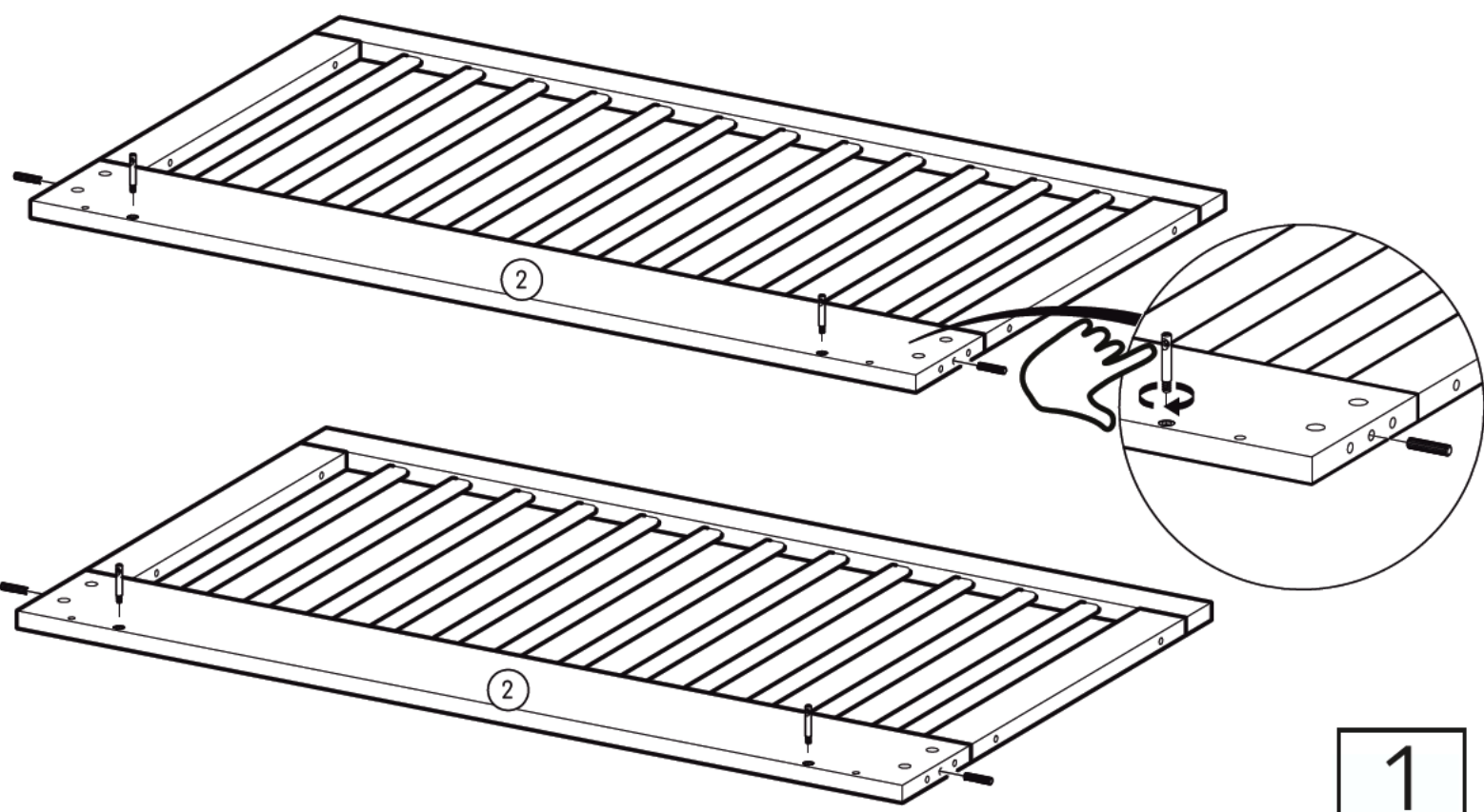
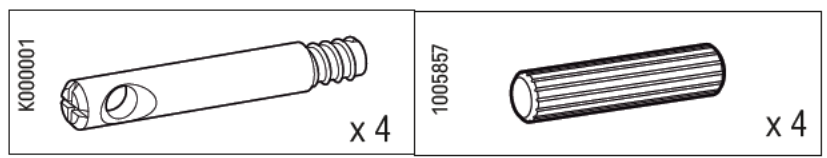




i

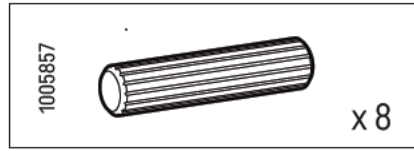
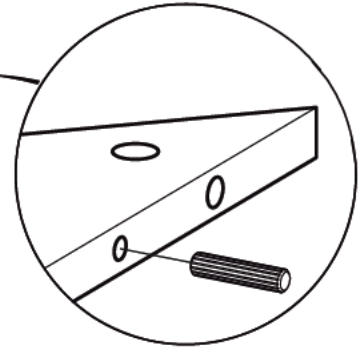
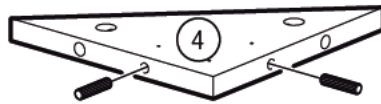
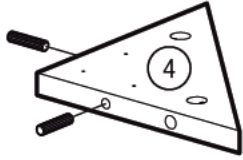
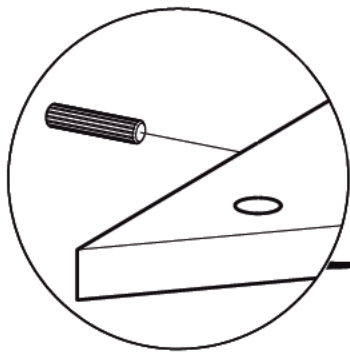


1

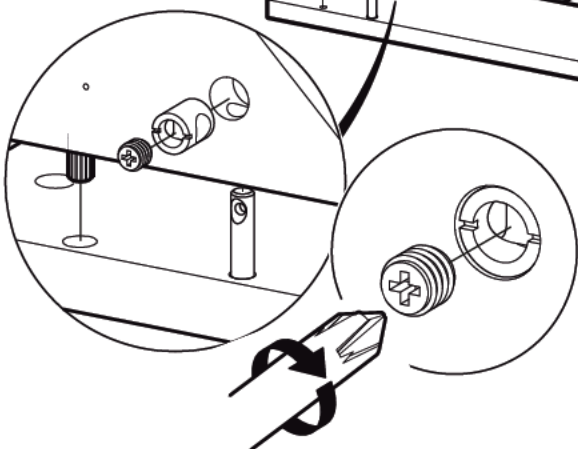
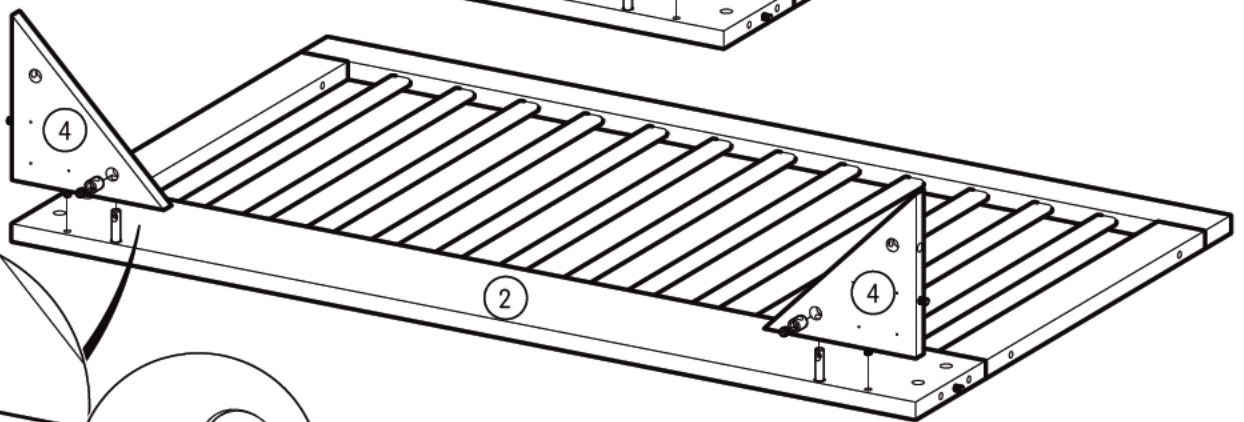
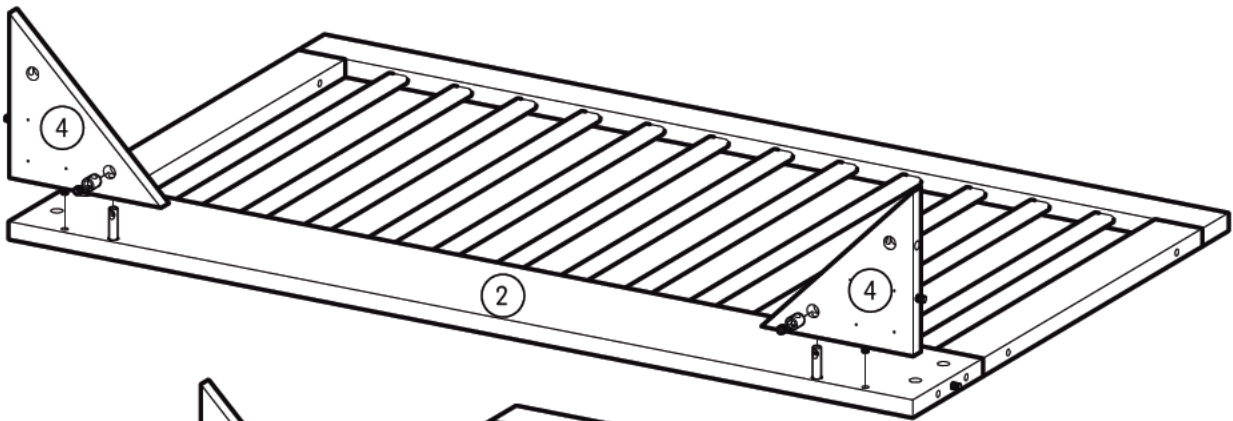
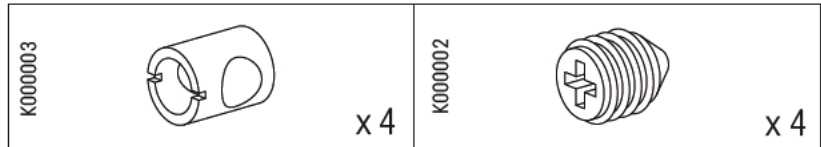


1

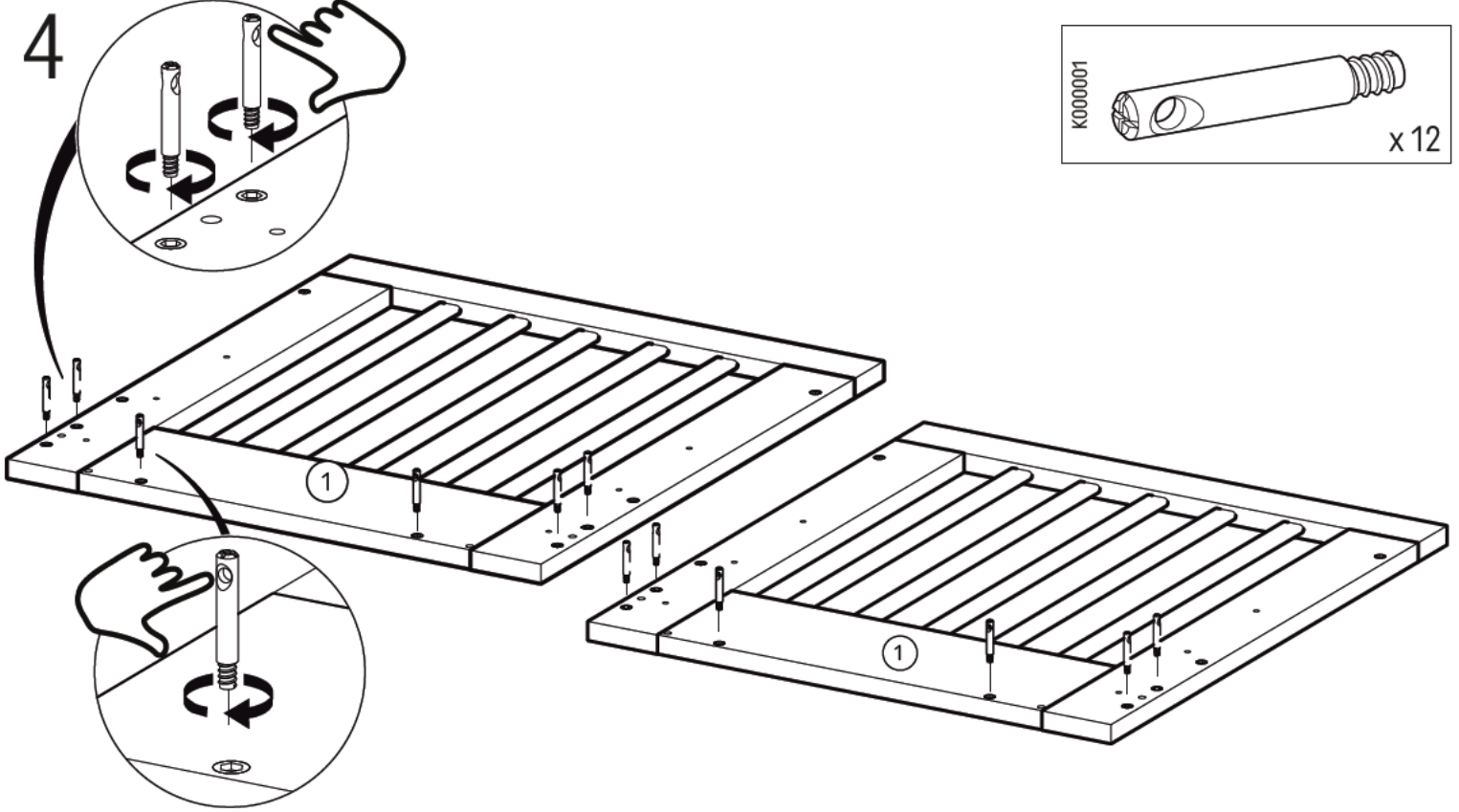
2



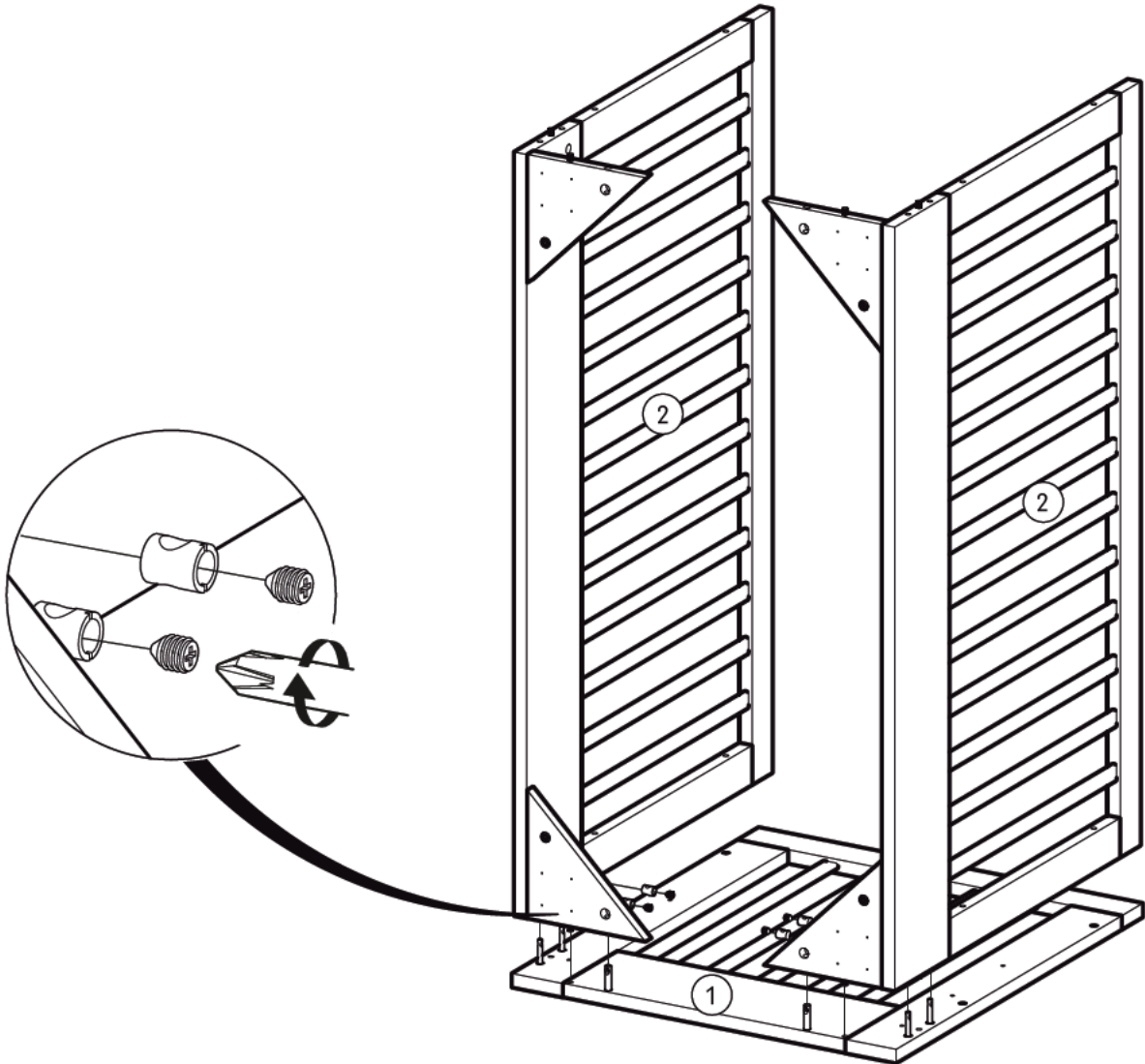
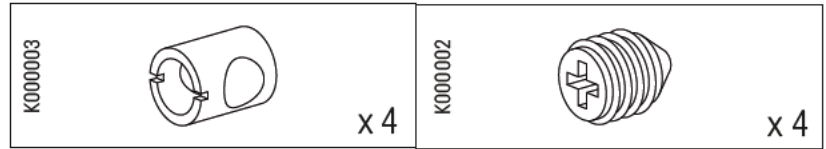
3



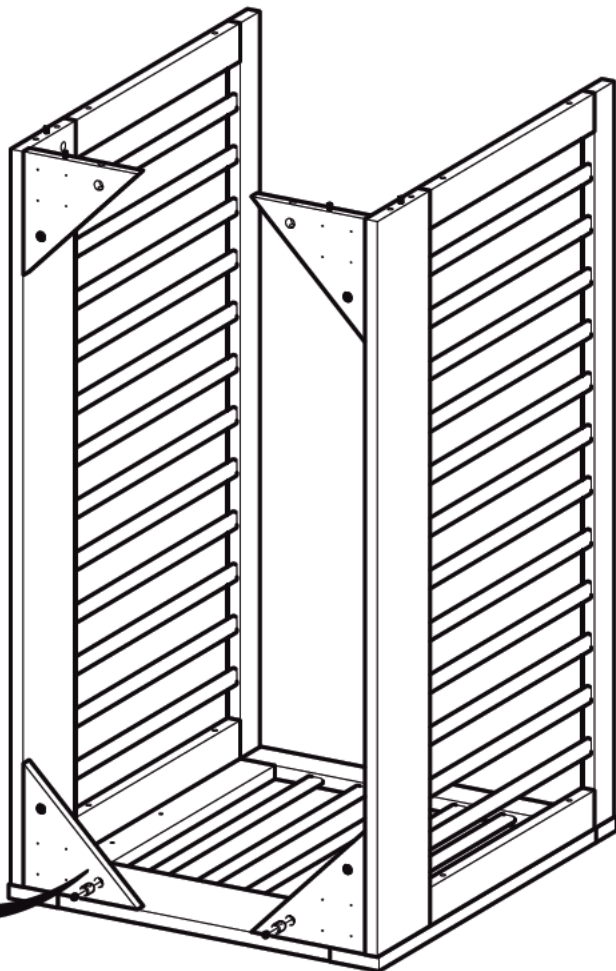
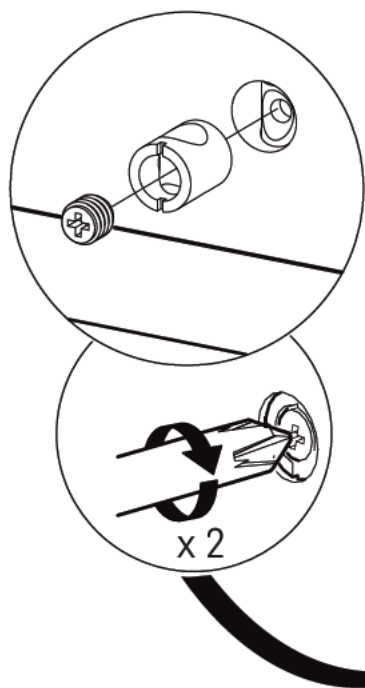
4

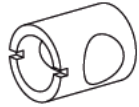



5

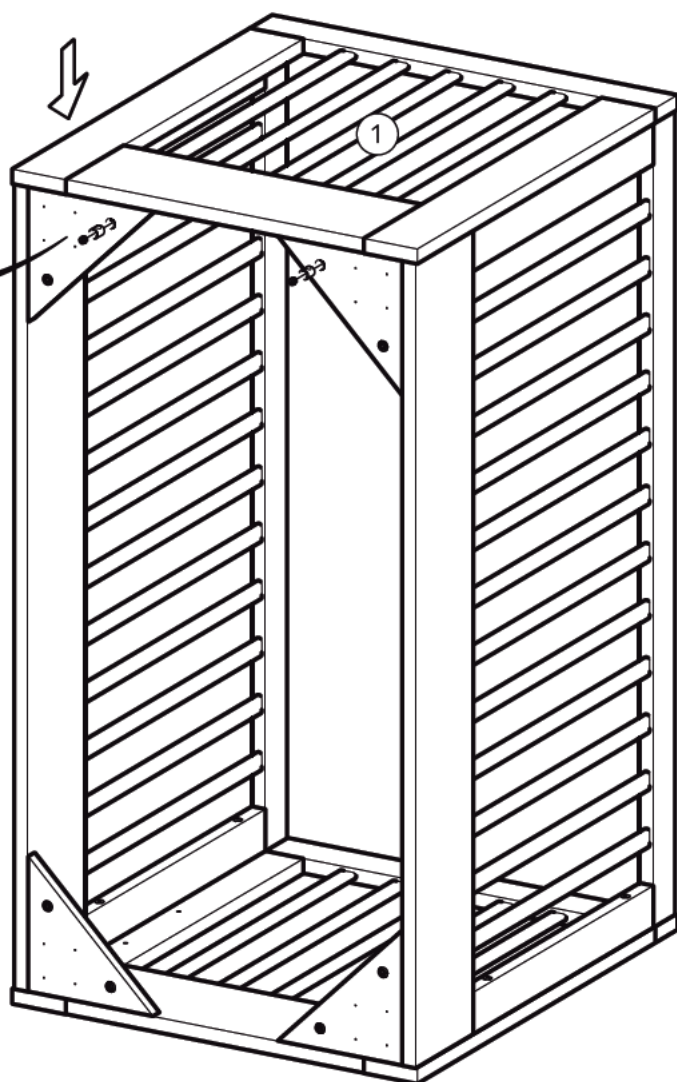
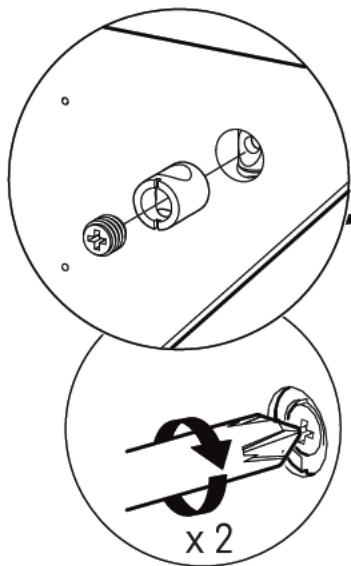


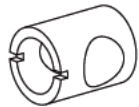

6



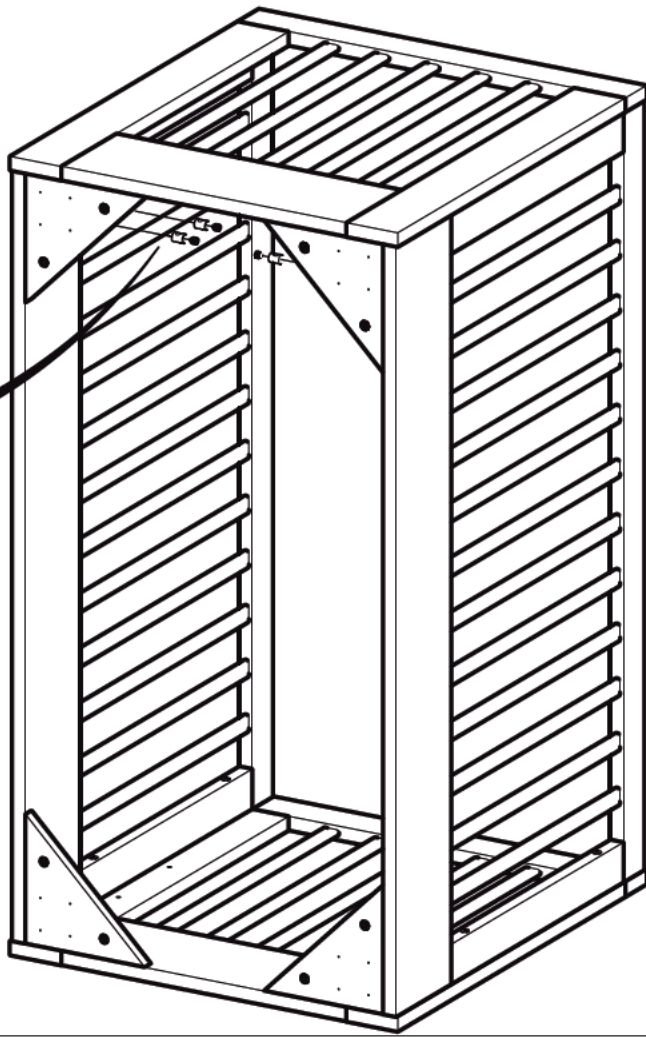
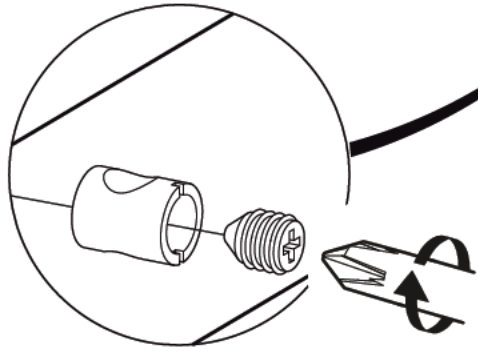
K000003		x 2
K000002		x 2

7

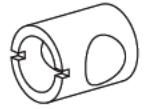


K000003		x 2
K000002		x 2

8



K000003



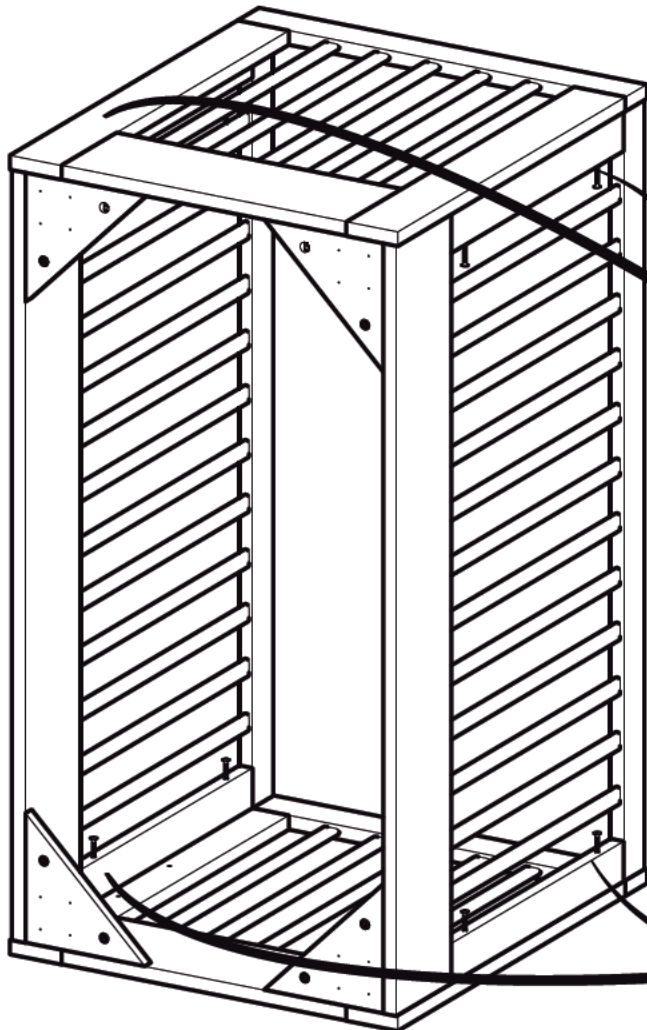
x 4

K000002



x 4

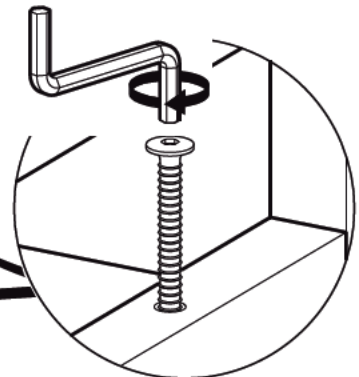
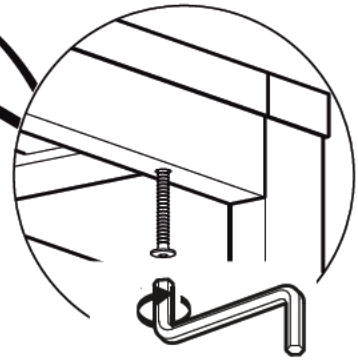
9



1008564

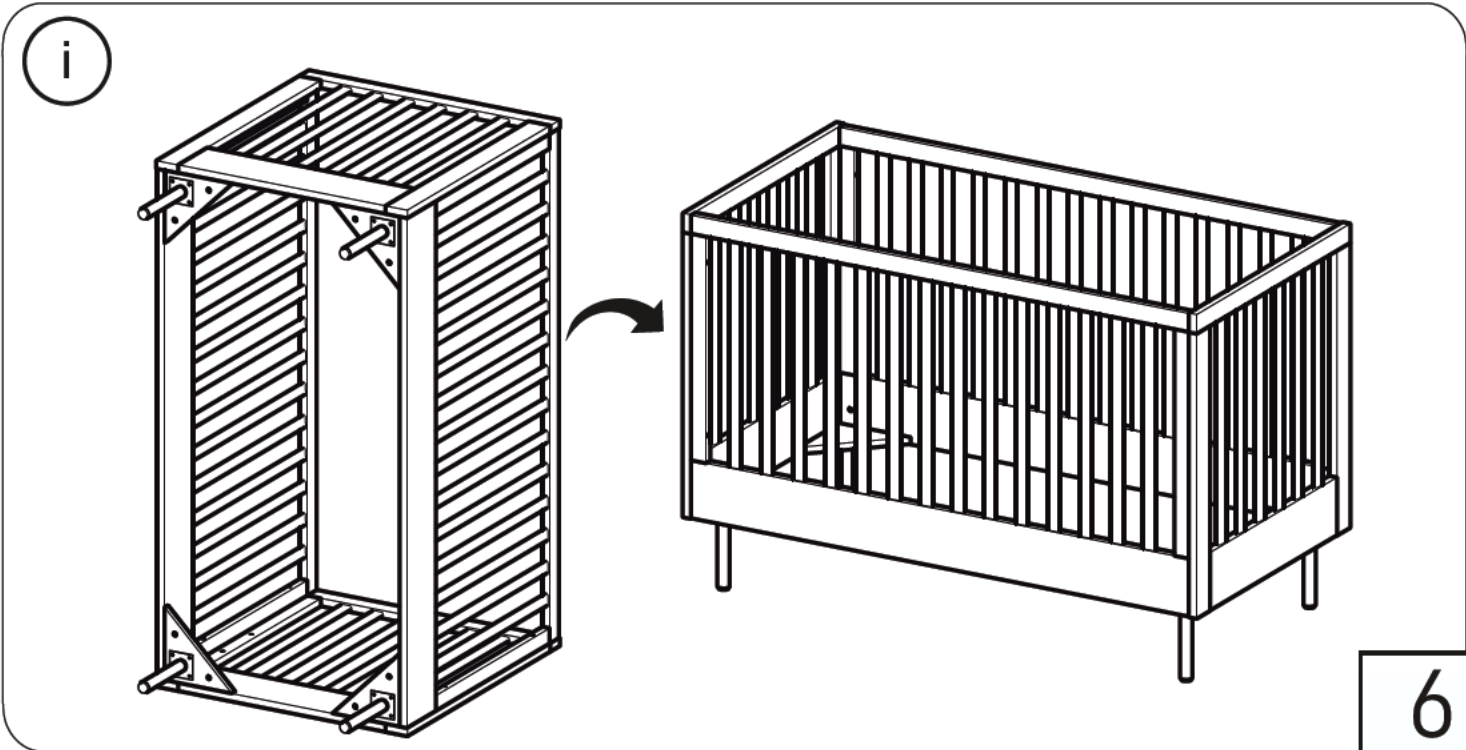
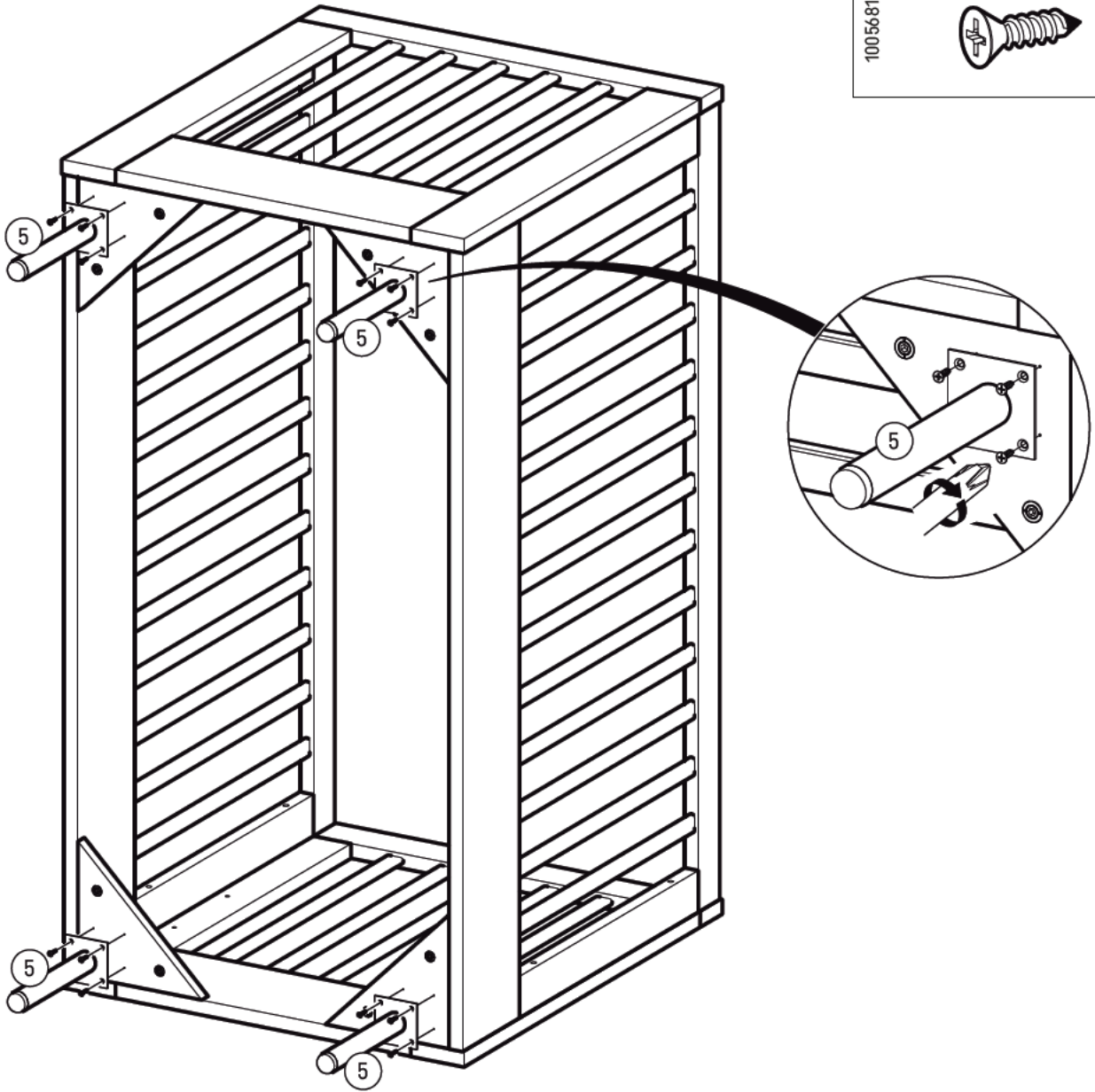
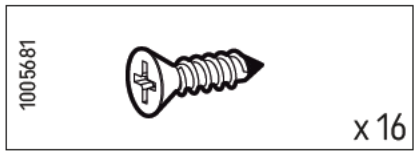


x 8



5

10



i

1



2



3

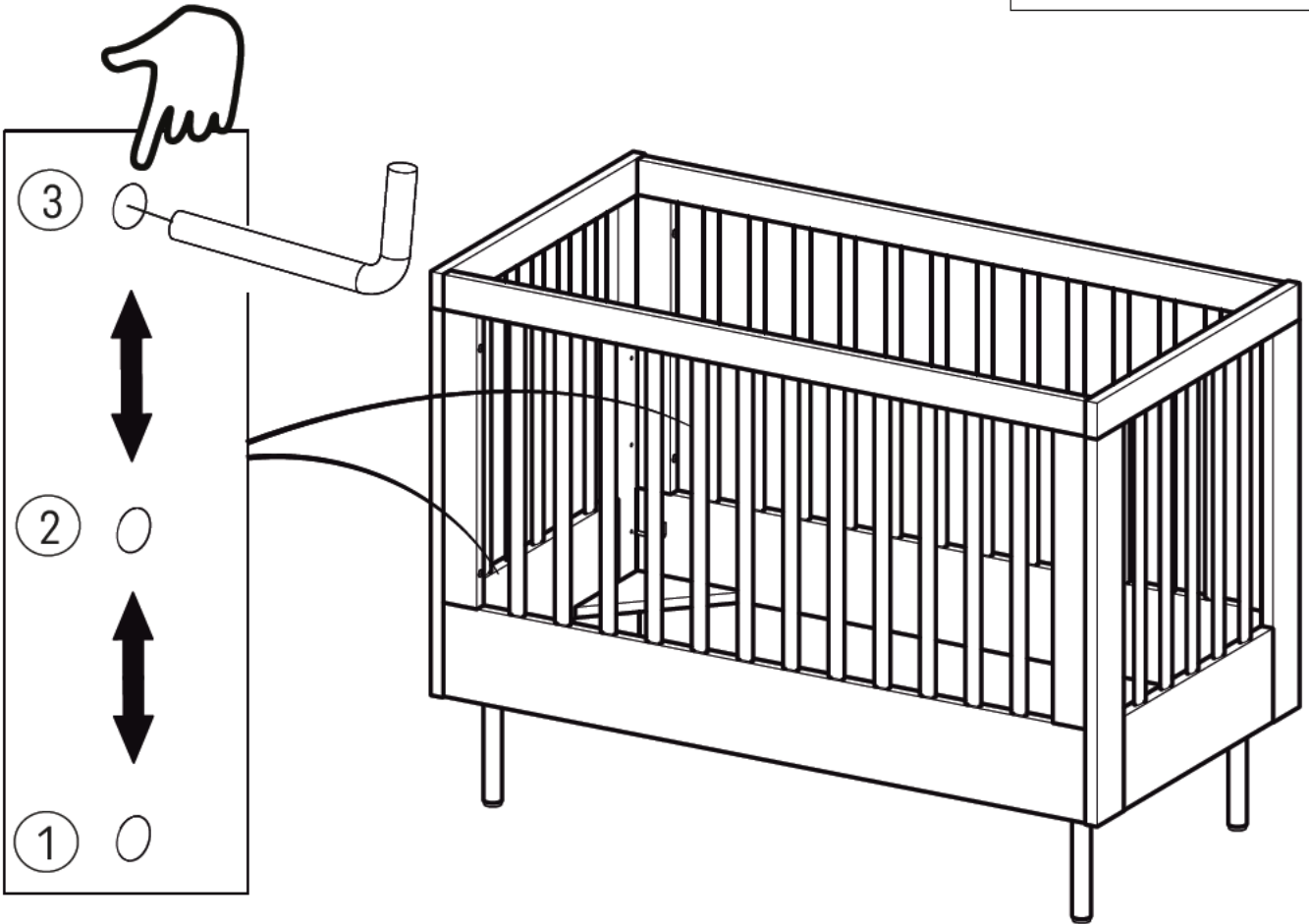


11

K000004



x 4



7

12

