

**Model: BCB2048BN  
BCB2048MB  
BCB2048BG**

Brushed Nickel (BN)  
Matte Black (MB)  
Brushed Gold (BG)



**Luxury  
Shower System**

**Thermostatic Mixing Valve  
3-Function Shower**

- Ceiling shower arm
- 12 inch shower head
- Valve included
- Hand shower
- Square body jets

Max 2.5 gmp 9.5L/min @ 80psi  
Meets ASME A112.18.1



**LIMITED LIFETIME  
WARRANTY**

**BUILD WITH CONFIDENCE**

**STANDARDS:**

Meets ASME A112.18.1/CSA B125.1-18 and all applicable requirements referenced therein, as well as California Proposition 65.

**INSTALLATION:**

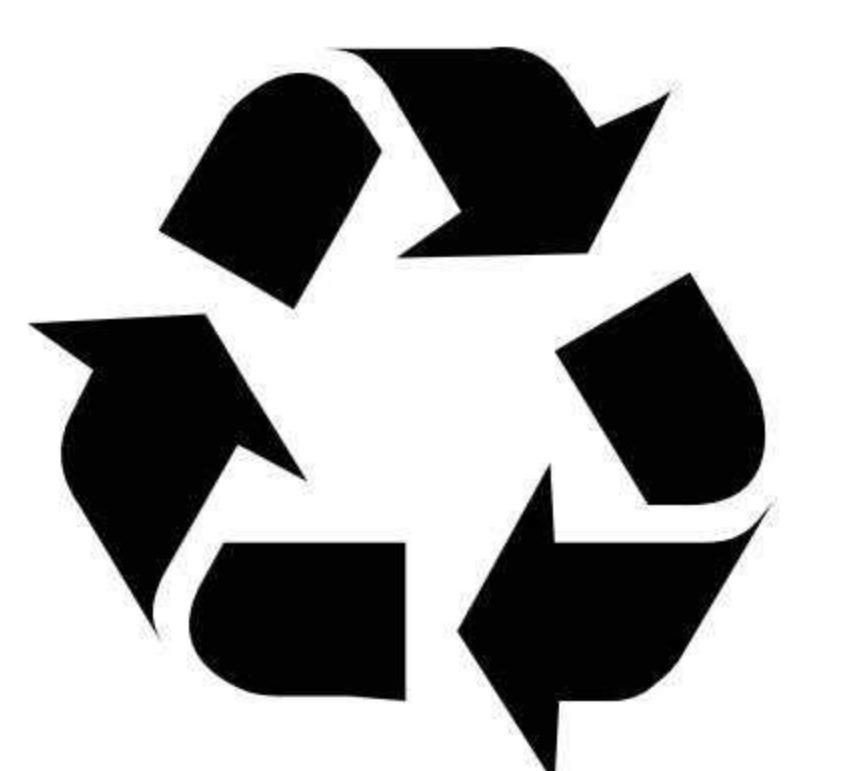
For proper installation and to ensure compliance with applicable standards, this product must be installed by a qualified plumber.

**DESCRIPTION:**

- Ceiling shower arm
- 12 inch shower head.
- Valve included.
- Hand shower.
- Square body jets.

**FINISH:**

Matte Black. Brushed Nickel. Brushed Gold.



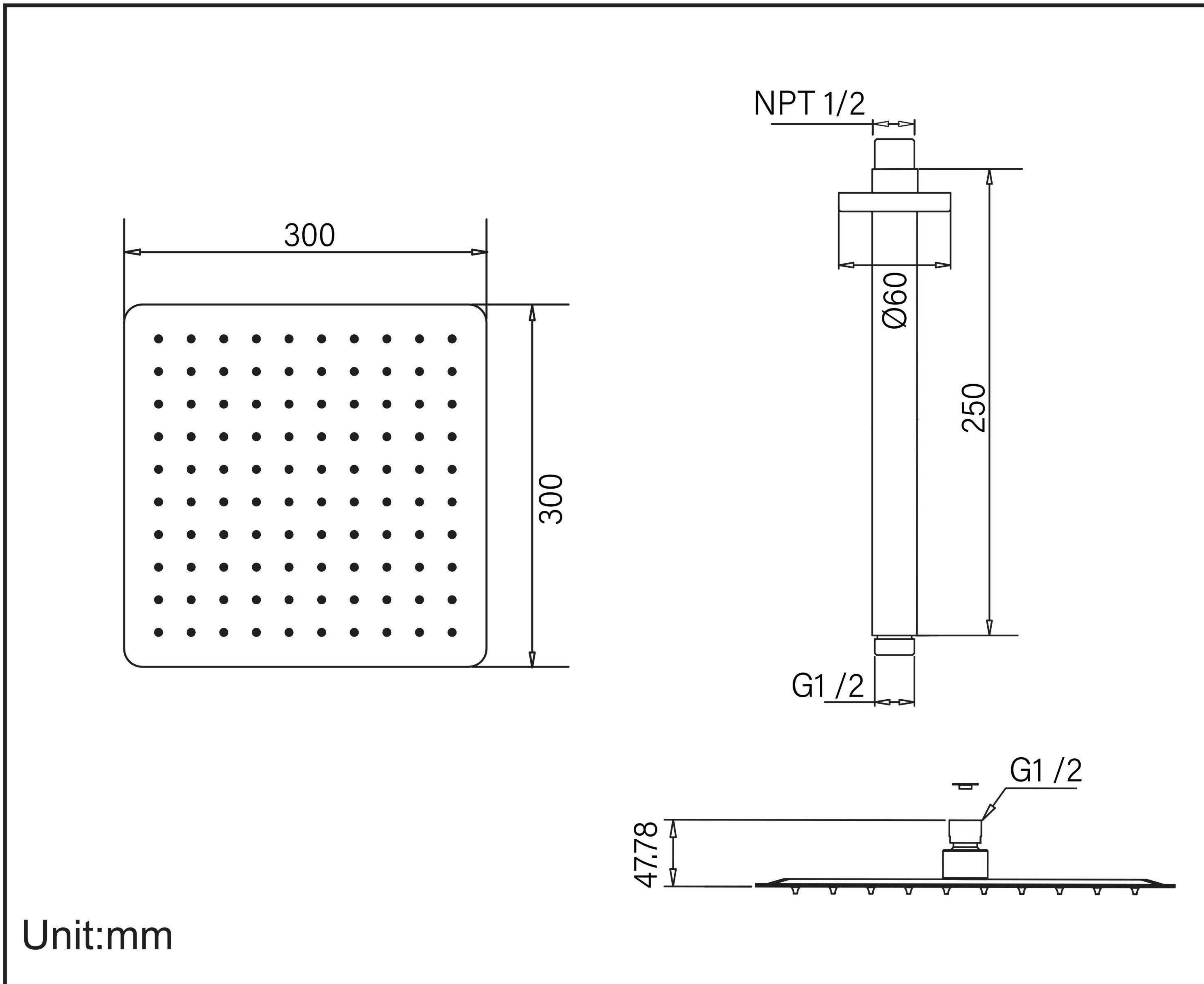
Limited Lifetime Warranty

[www.wellfor.com](http://www.wellfor.com)

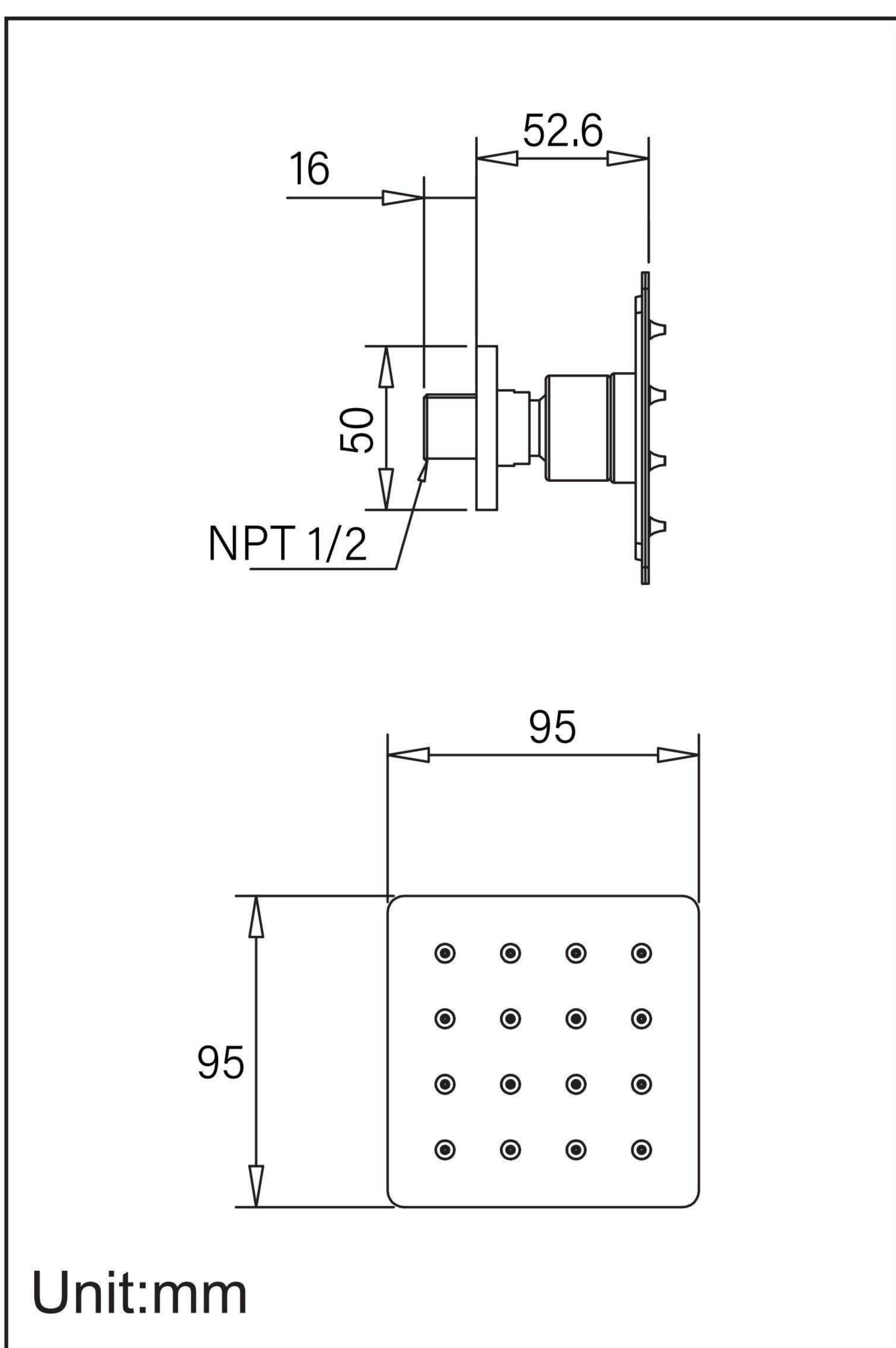
[service@wellfor.com](mailto:service@wellfor.com)

Product Designed in the USA

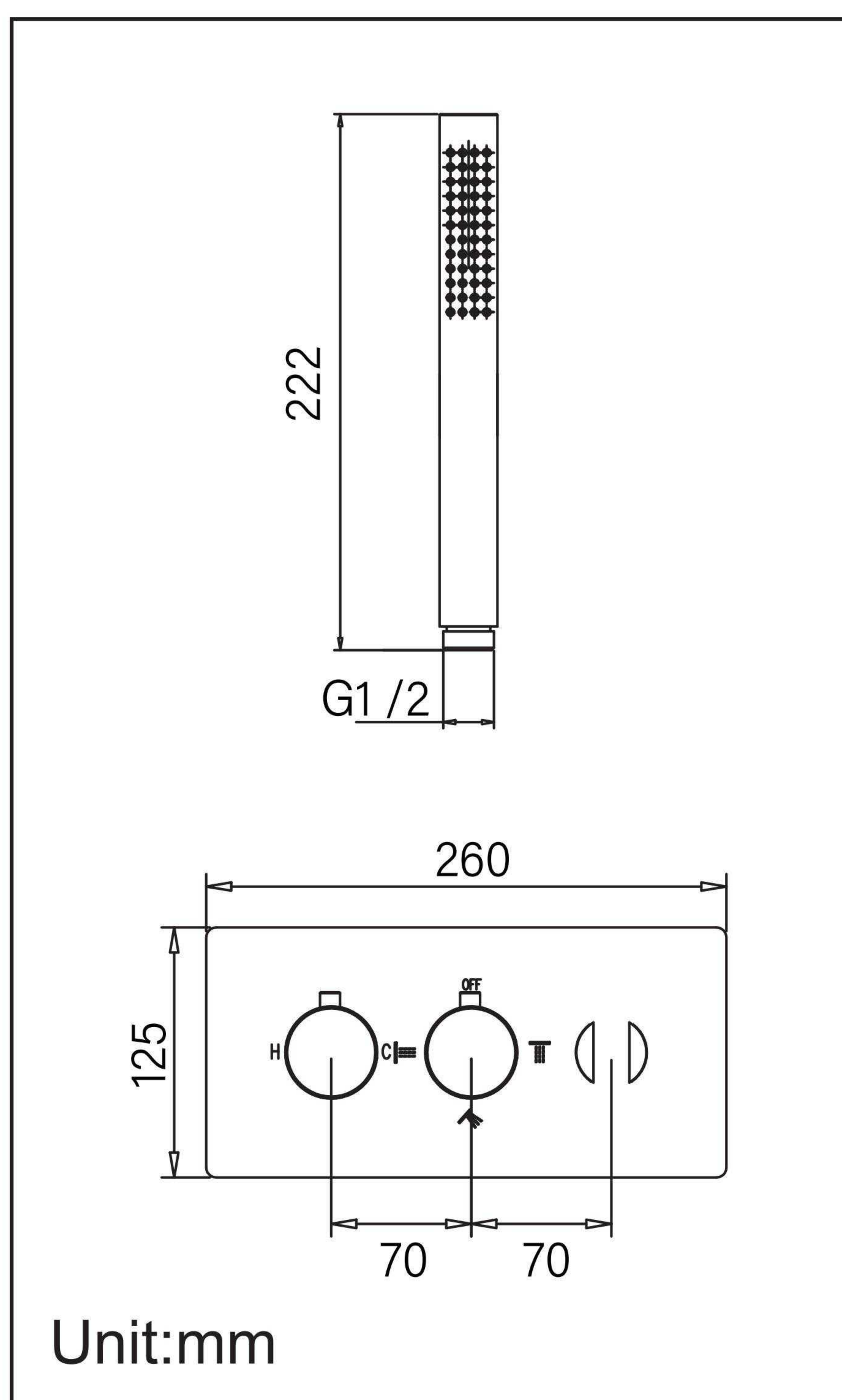
MADE IN CHINA



Unit:mm



Unit:mm



Unit:mm

# 3-FUNCTION SHOWER SYSTEM

## BEFORE YOU BEGIN

We recommend consulting a professional if you are unfamiliar with installing plumbing fixtures. Wellfor accepts no liability for any damage to the plumbing, floor, walls, tub, or for personal injury during installation.

Observe all local plumbing and building codes.

Unpack and inspect the item for shipping damage. If any damage is found, contact our Customer Relations team at 206.809.0093.

## GETTING STARTED

Ensure that you have gathered all the required materials that are needed for the installation.

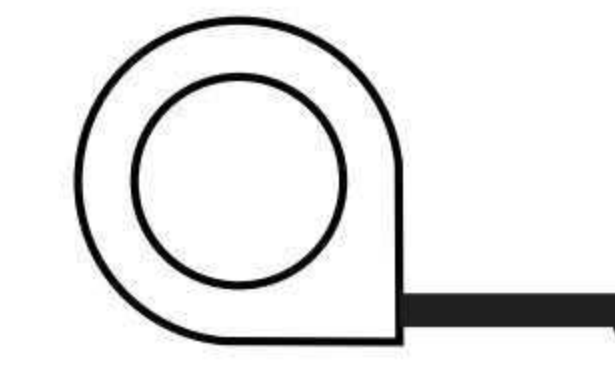
For the following installation instructions, it is assumed that the wall has been opened and that the existing shower set has been removed.

Before you begin, the main water supply to your home should be shut off.

## TOOLS AND MATERIALS:



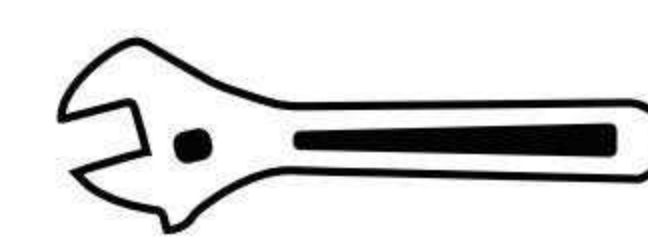
Plumbers Tape



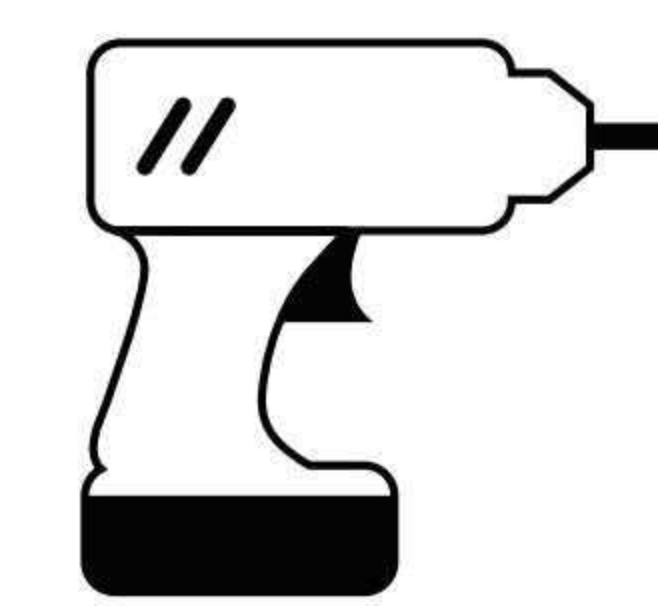
Tape Measure



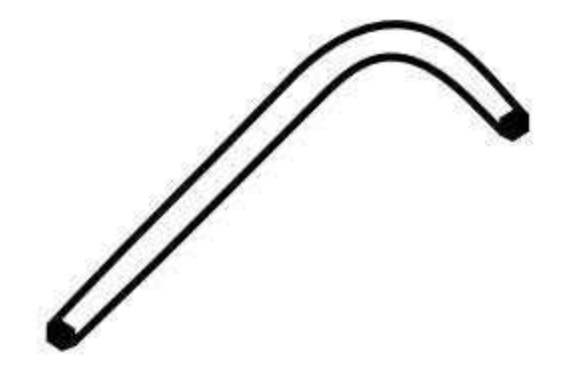
Phillips Screwdriver



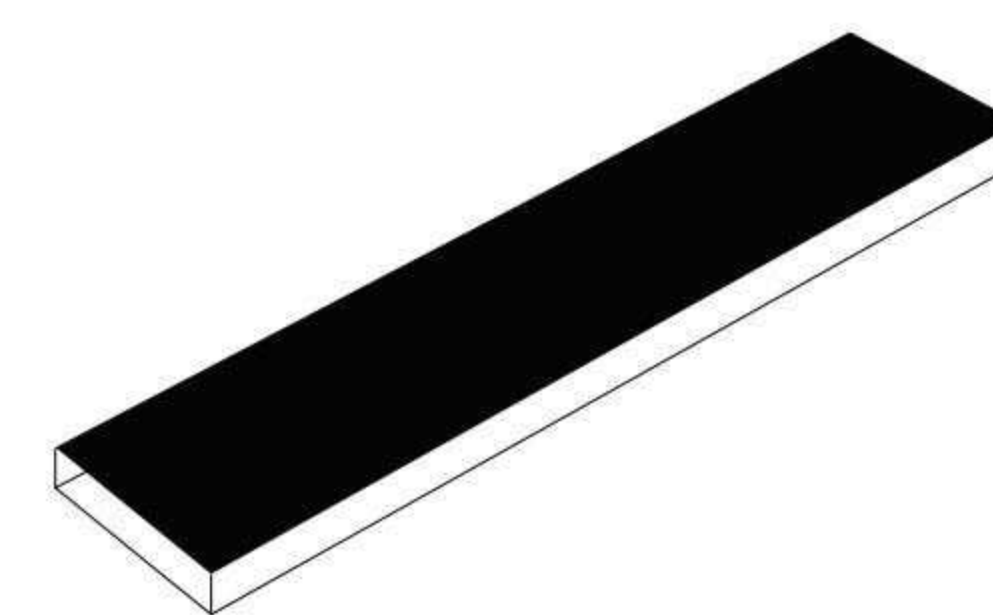
Adjustable Wrench



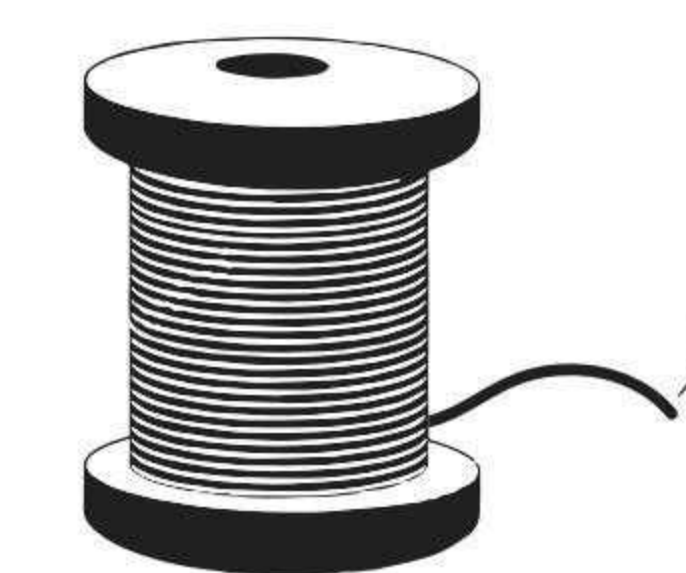
Drill



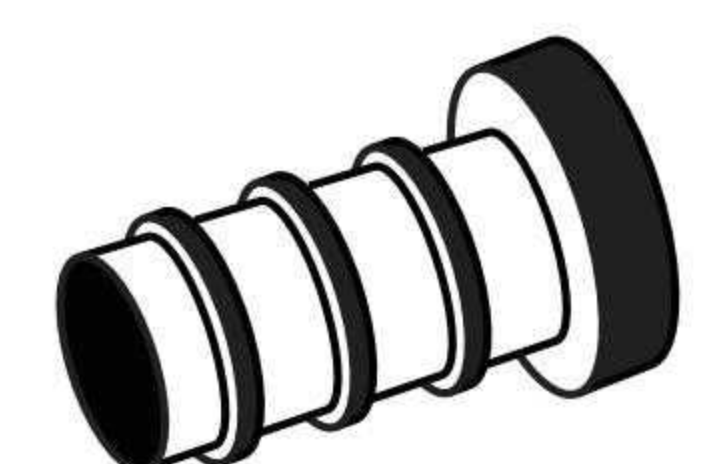
Hex Wrench



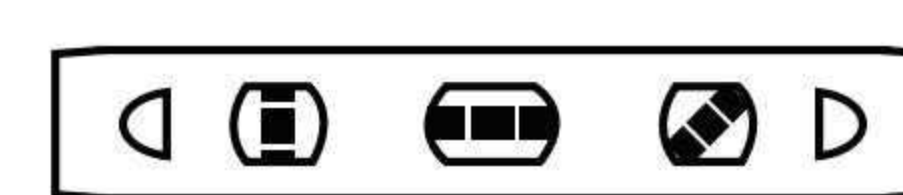
Wood Blocking



Soldering Kit  
(for copper pipe)



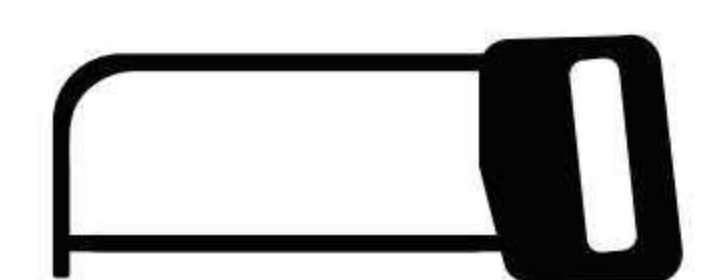
1/2" Test Plug



Level



Pencil or  
Marker



Hacksaw



**\*All dimensions and specifications are nominal and may vary. Use actual products for accuracy in critical situations.\***

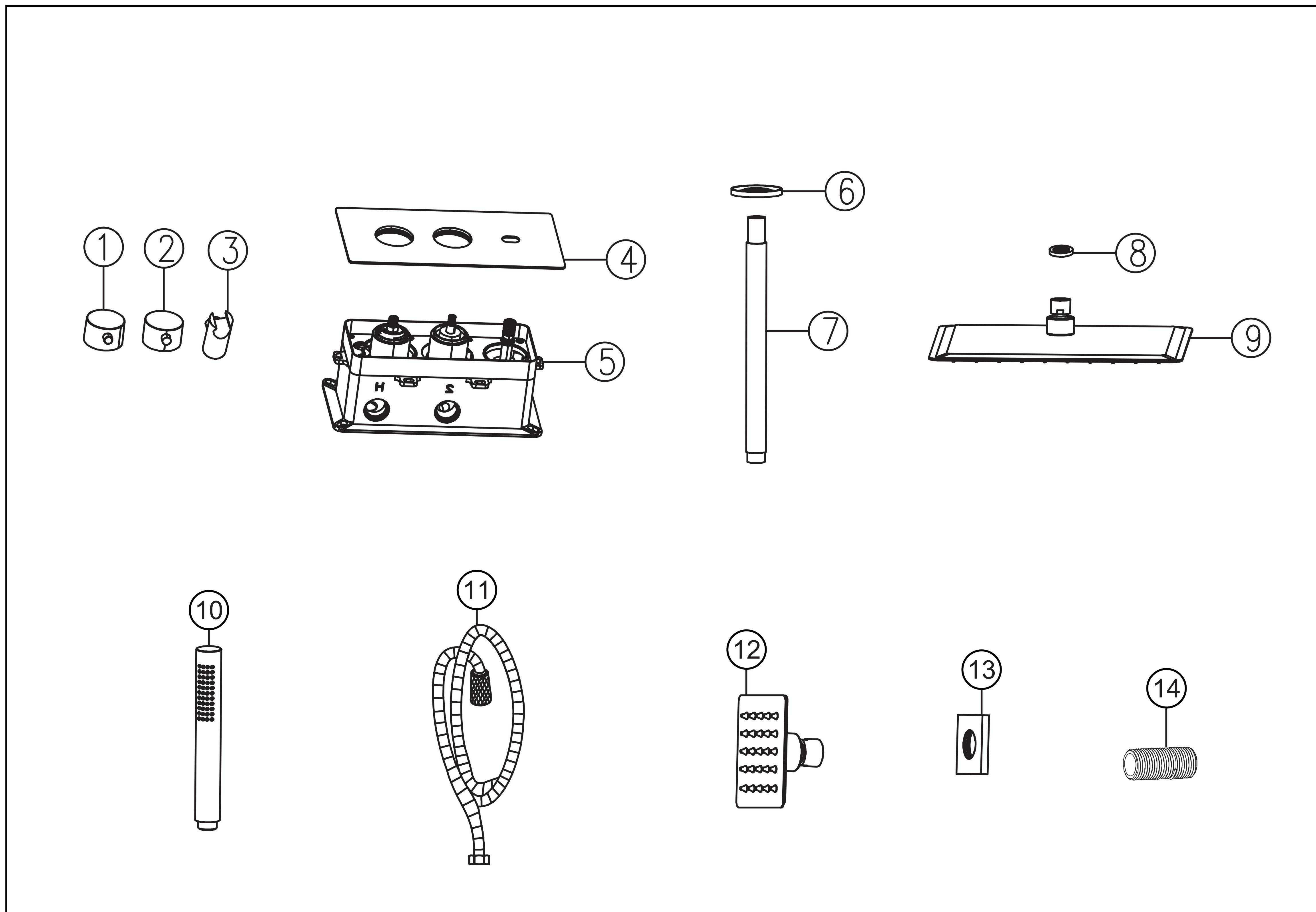


**\*Accessories size, style and shape may vary from the picture above. Instruction purpose only.\***

### 3-Function Thermostatic Shower

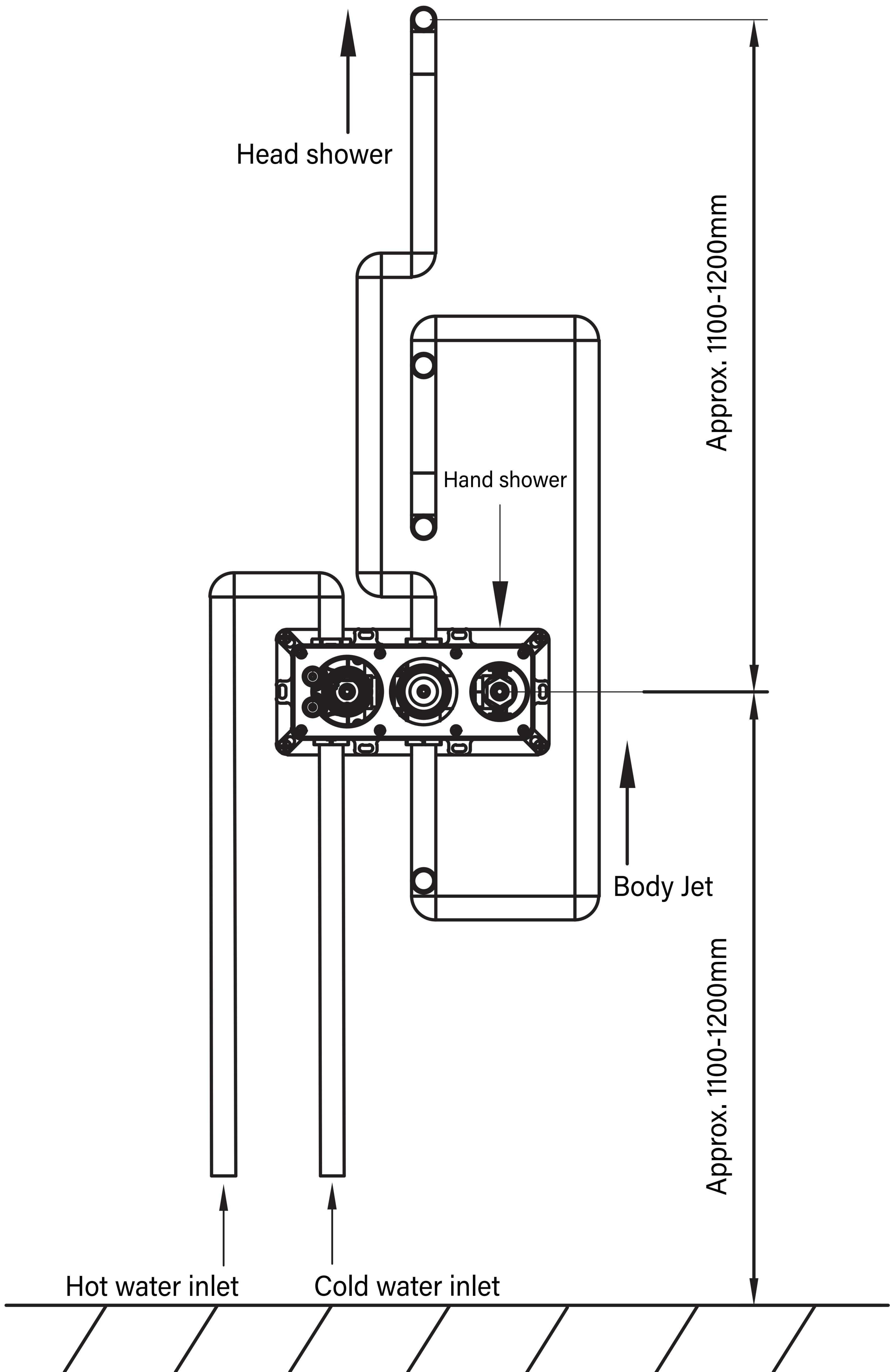
Model:BCB2048BN /BCB2048MB/BCB2048BG

# ACCESSORIES LIST

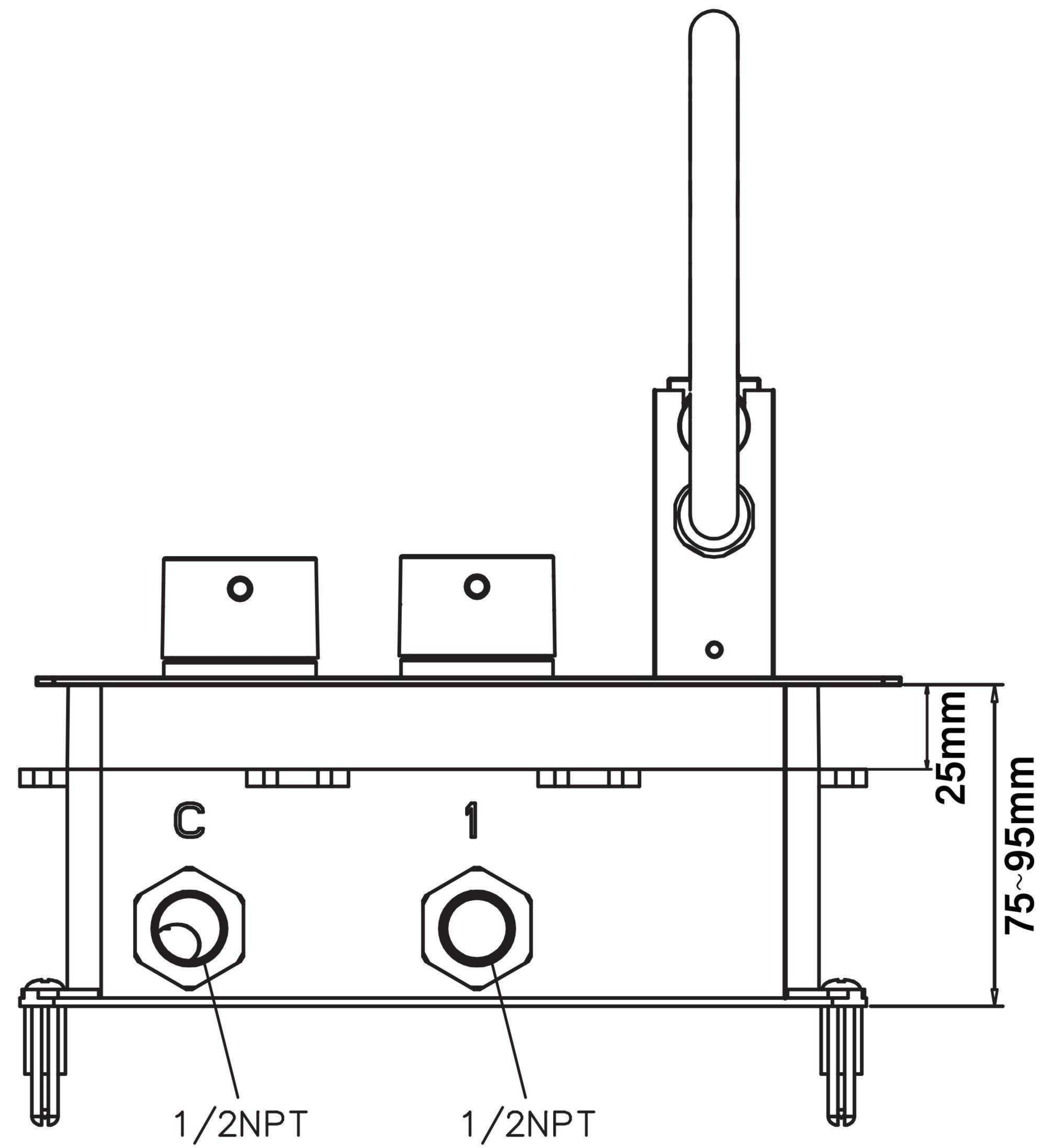
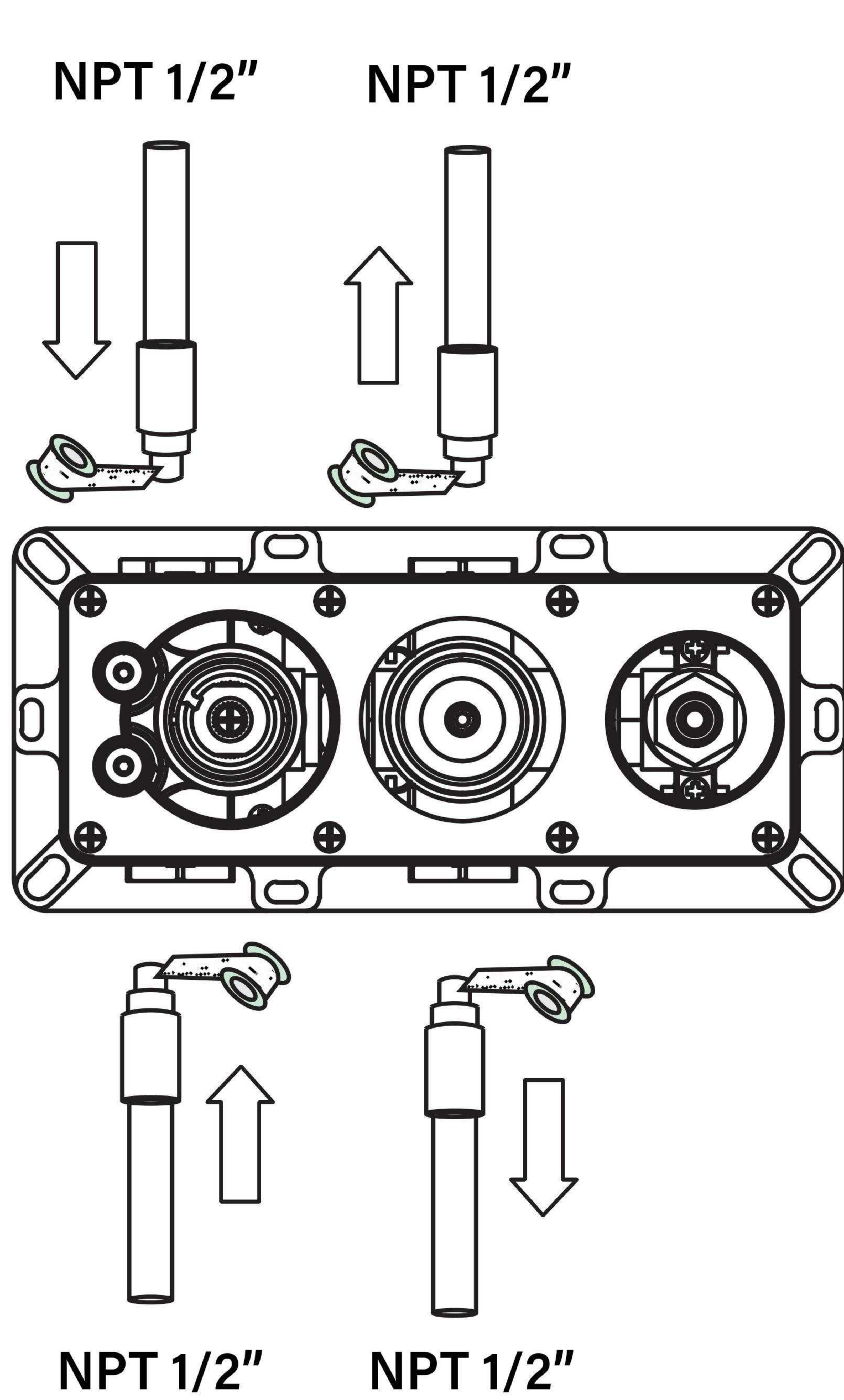


S/N	MODELS	QTY	S/N	MODELS	QTY
1	Knob for water temp.	1	8	Rubber Gasket	1
2	Diverter knob	1	9	Head shower	1
3	Hand shower holder	1	10	Hand shower	1
4	Metal Plate	1	11	Shower hose	1
5	Thermostatic valve	1	12	Body jet	3
6	Shower arm flange	1	13	Body jet flange	3
7	Shower arm	1	14	Thread connector	3

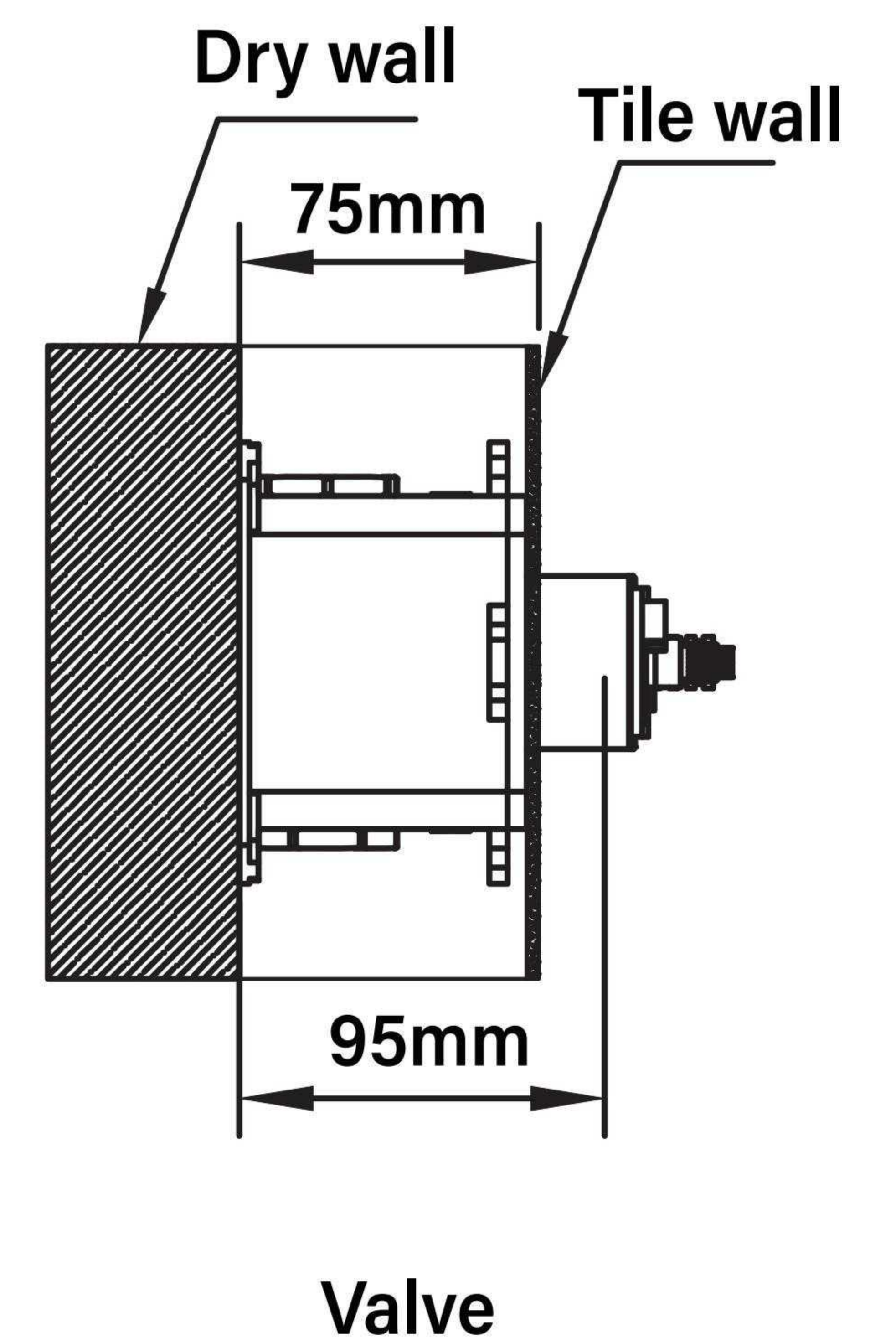
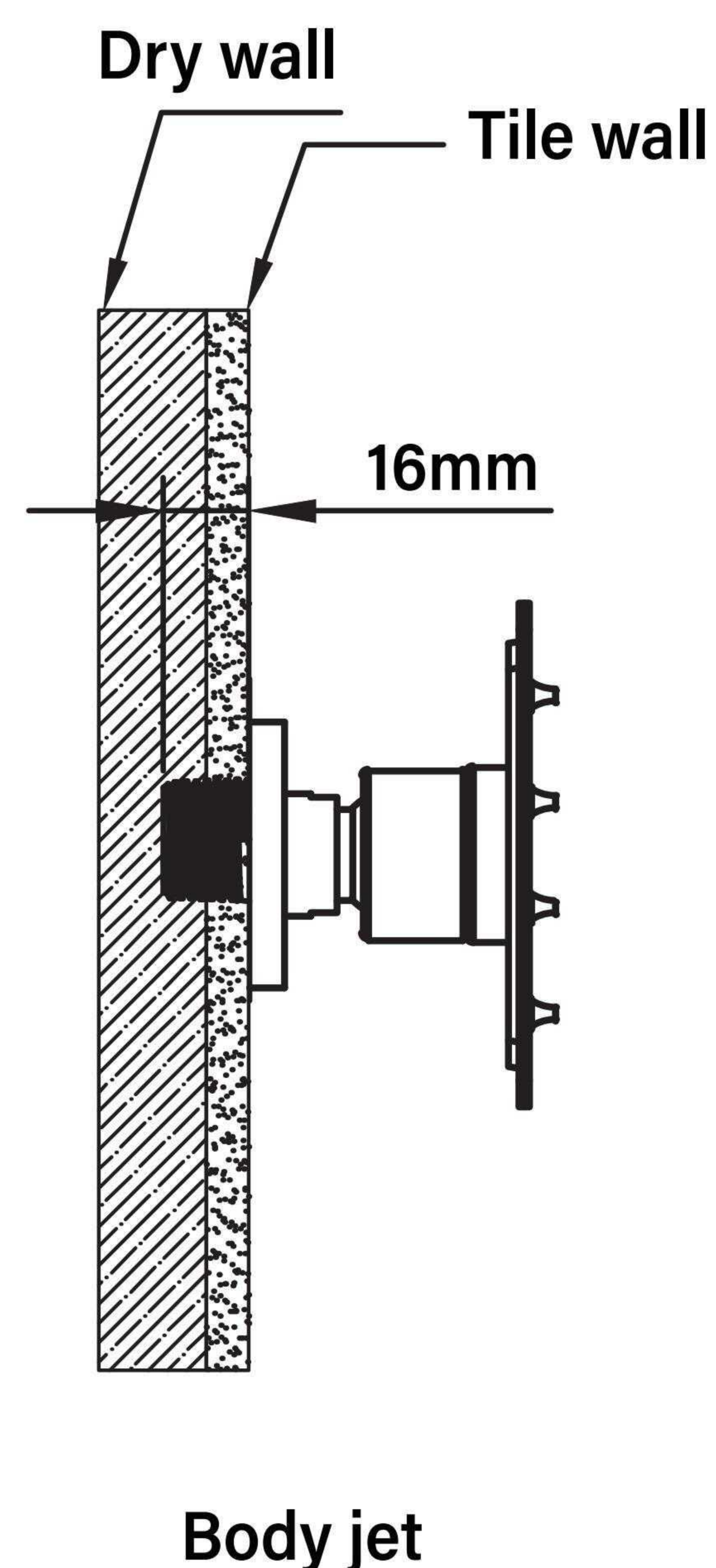
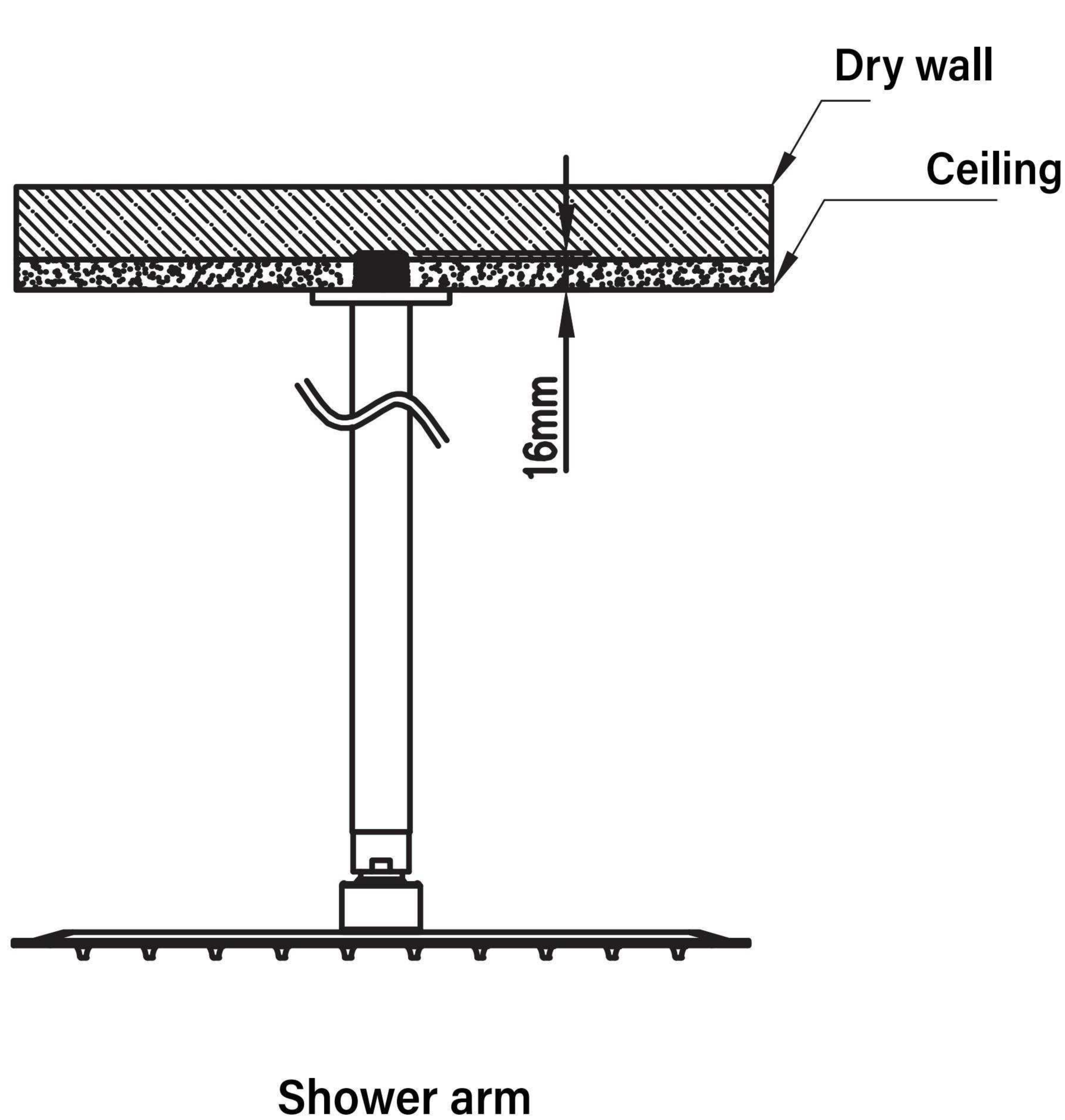
# INSTALLATION FEATURE



# THERMOSTATIC VALVE PIPING



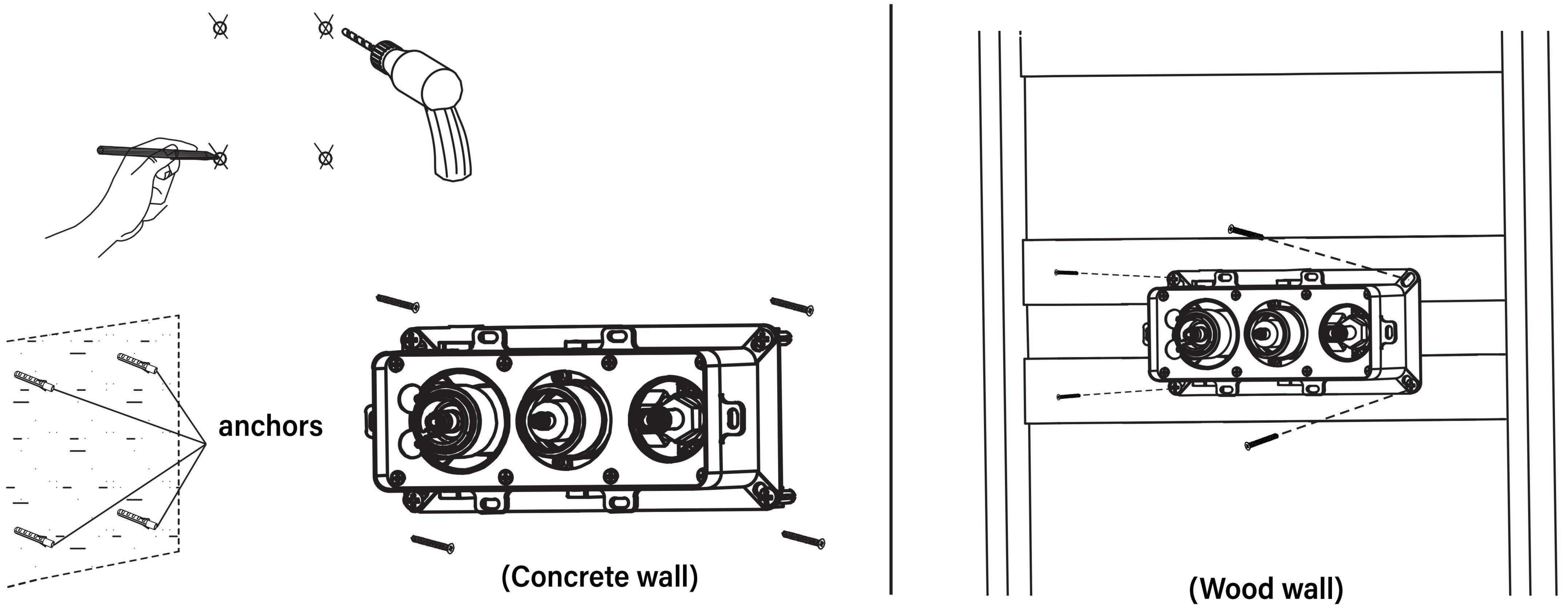
# CONCEALED MOUNTING DEPTH



Note: Male thread is 1/2"-14NPT.  
 Installation depth for shower valve is between 75--95mm, including the thickness of the tile.  
 The shower valve opening size shall be smaller than the trim cover plate.

# VALVE INSTALLATION

---

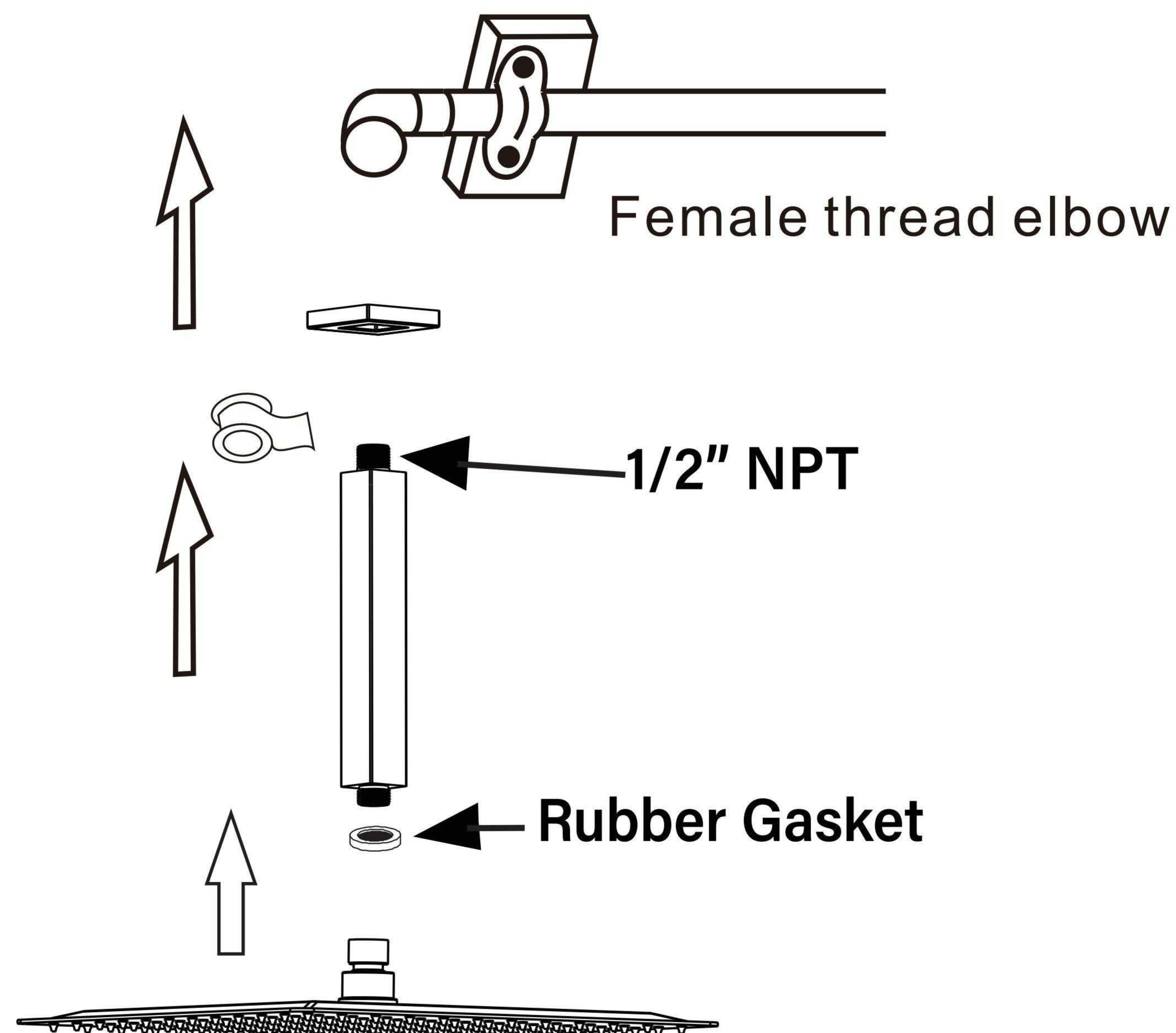


Note: Wood blocking should be installed between the two studs where the valve will mount. Be careful not to set the valve too far back into the wall. Use the sticker on the side of the valve for guidance.

---

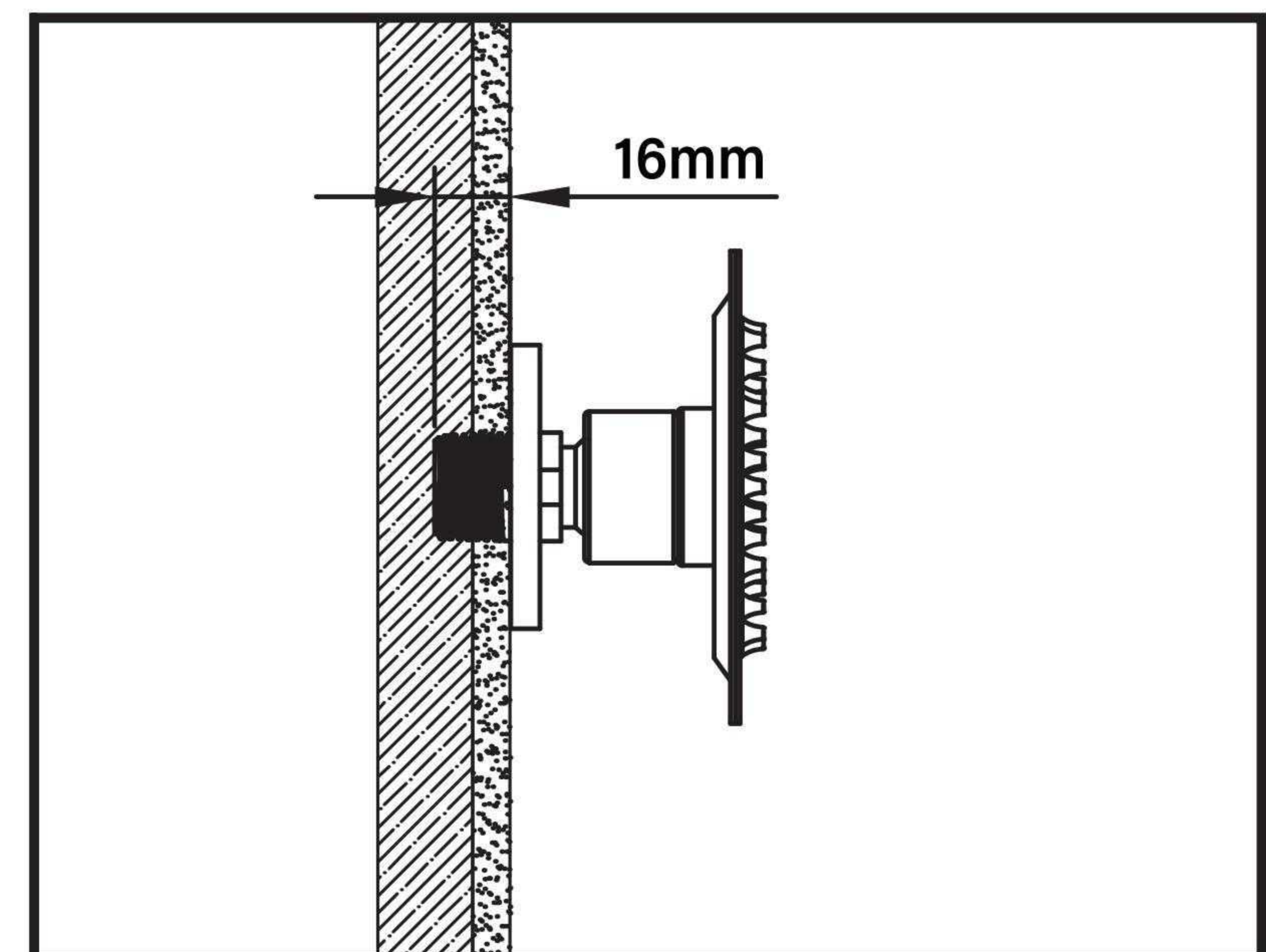
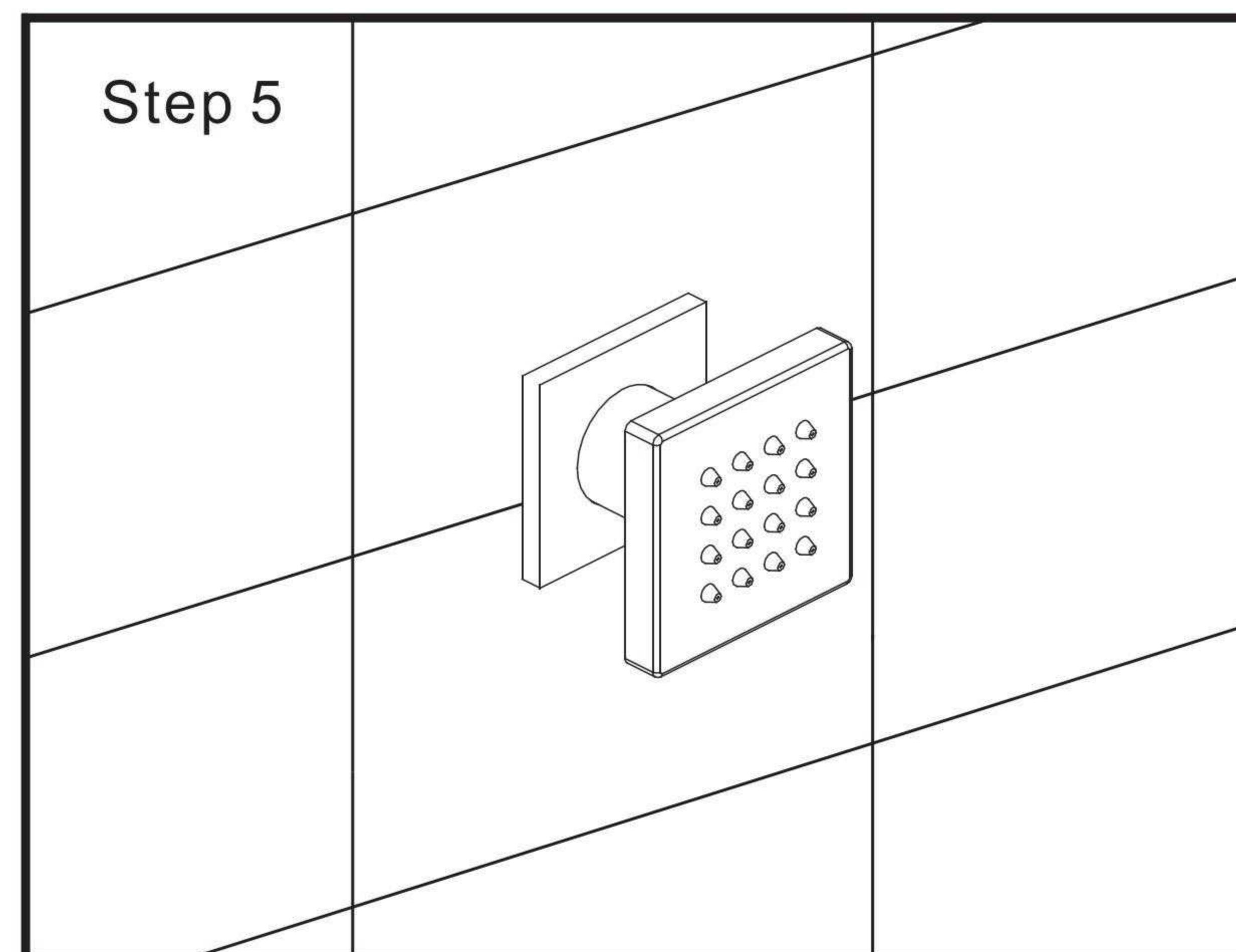
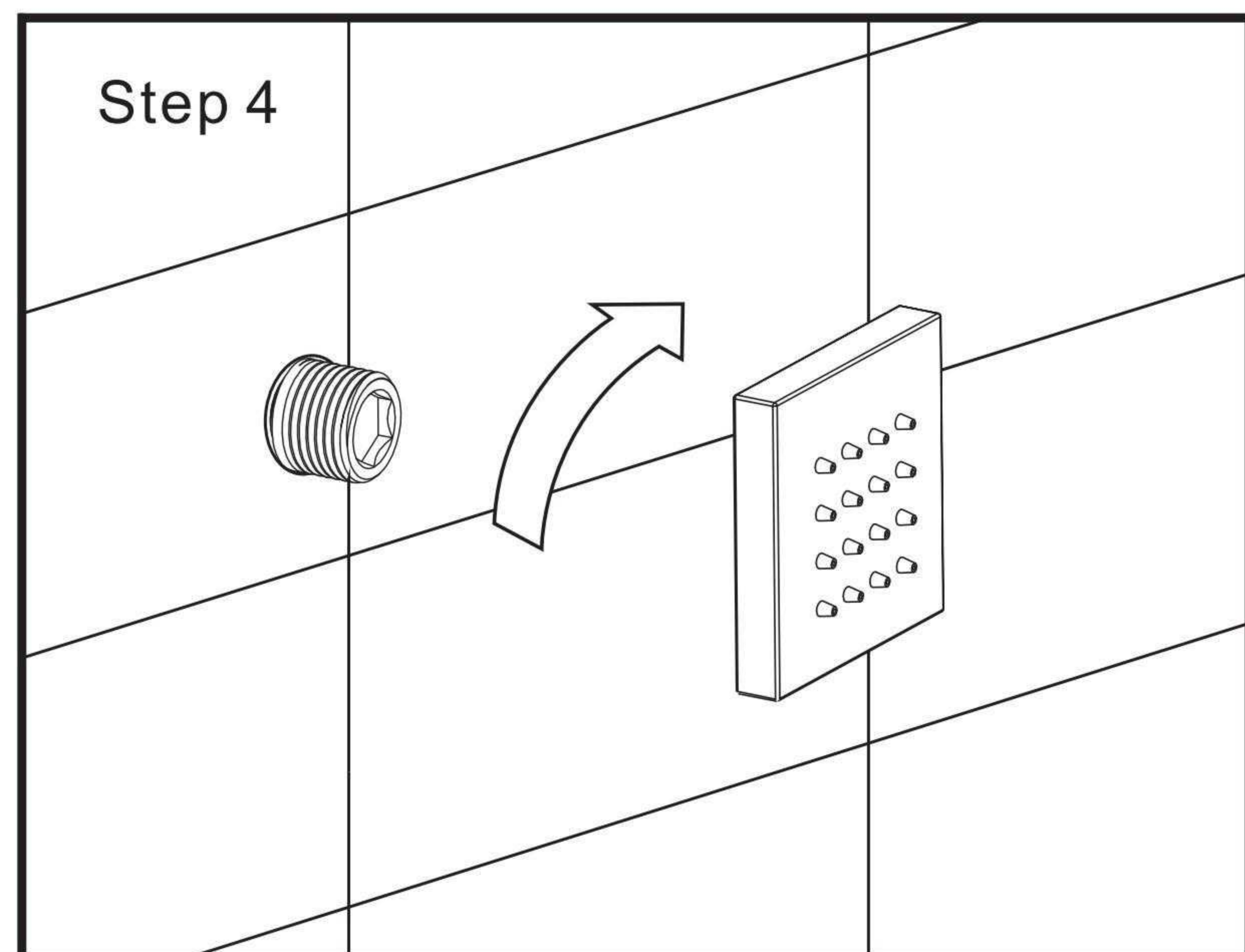
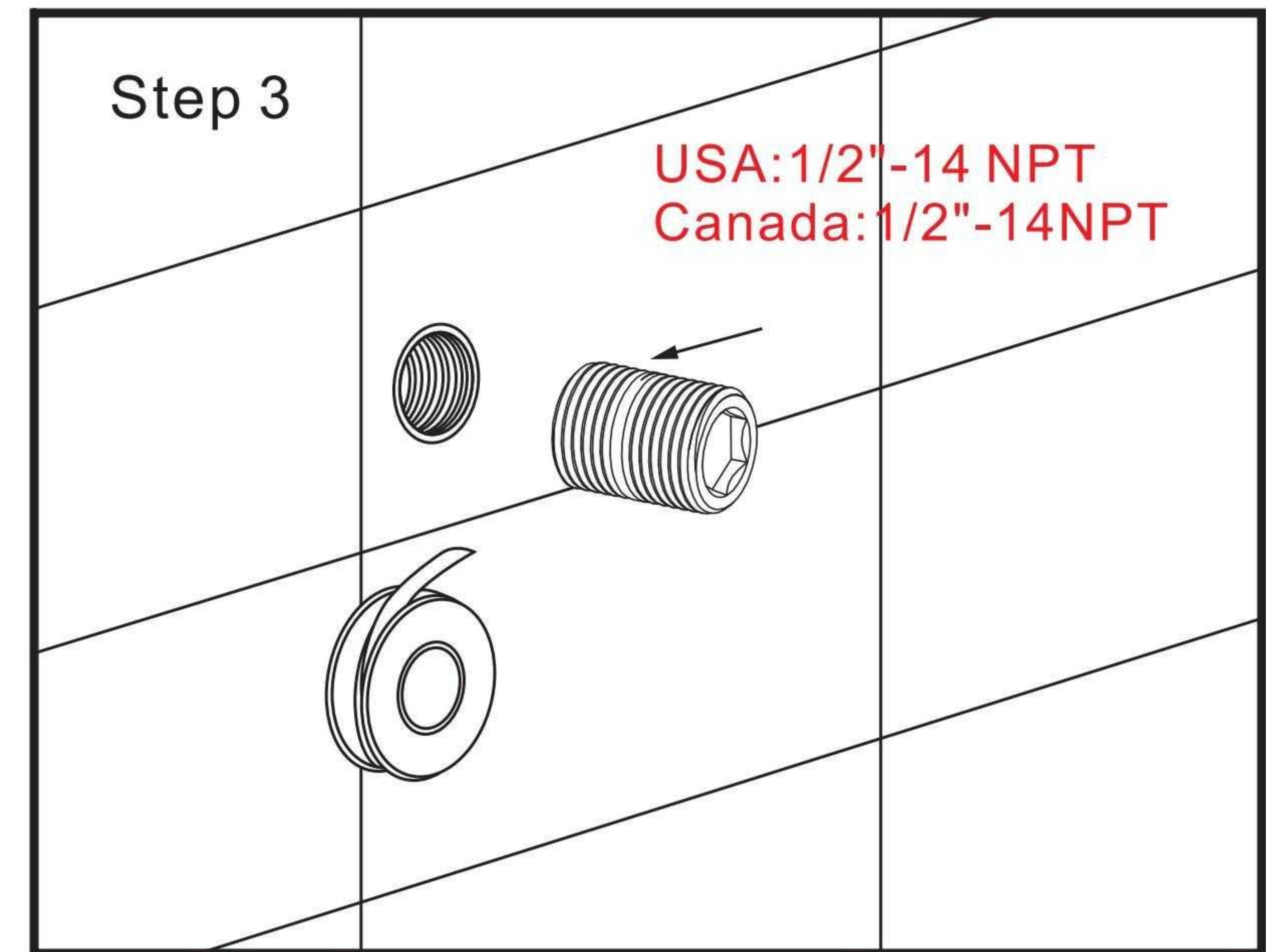
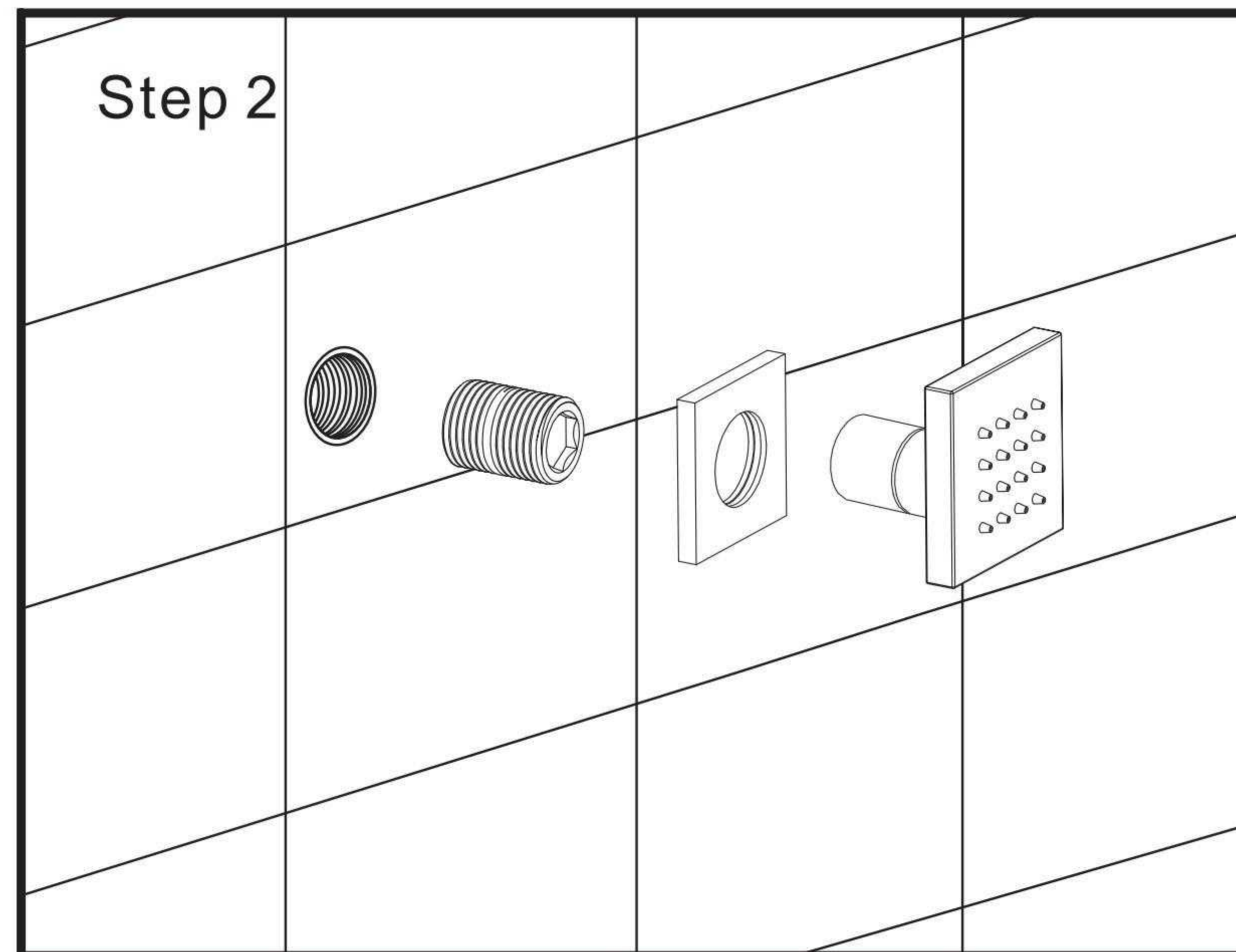
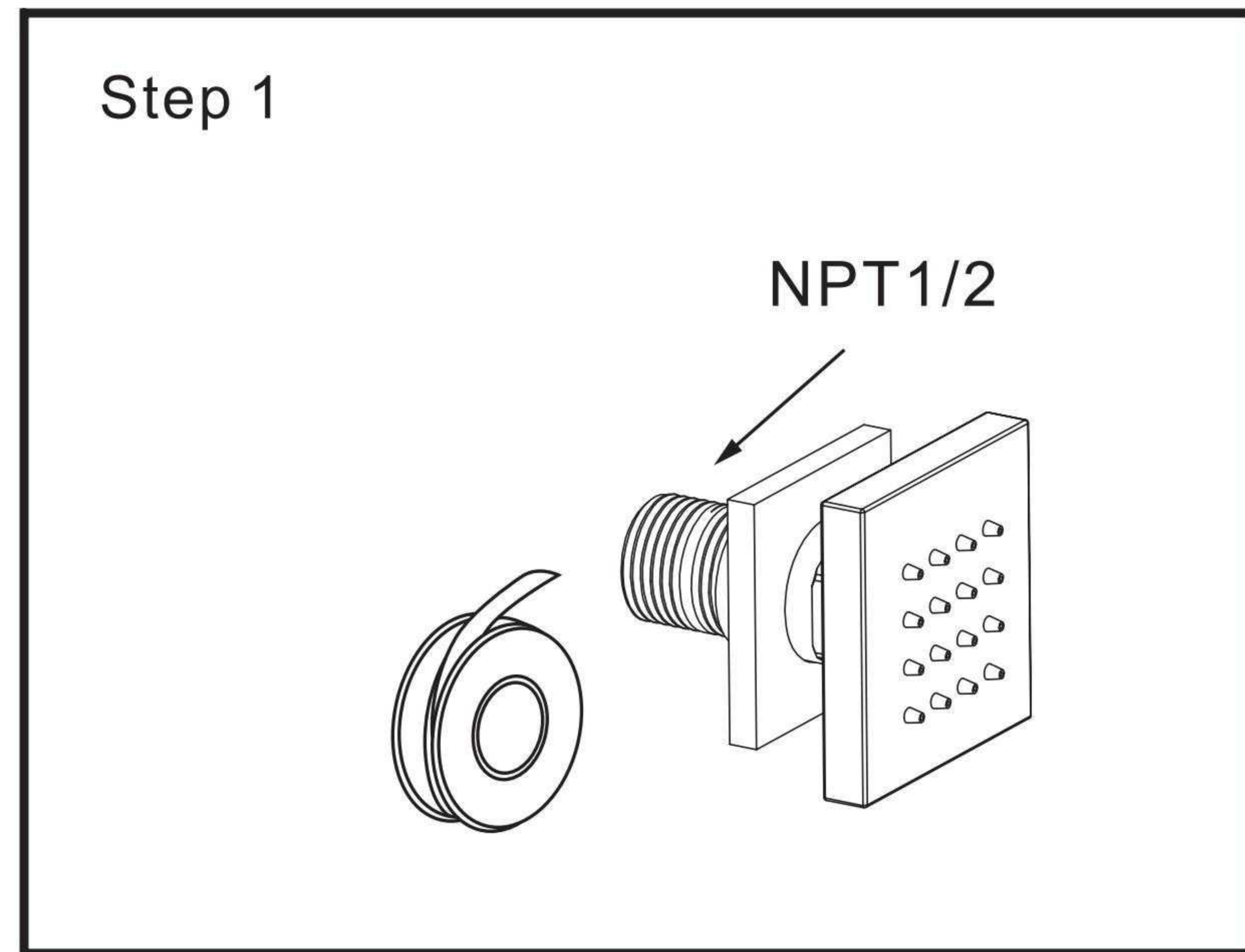
# SHOWER HEAD INSTALLATION

---

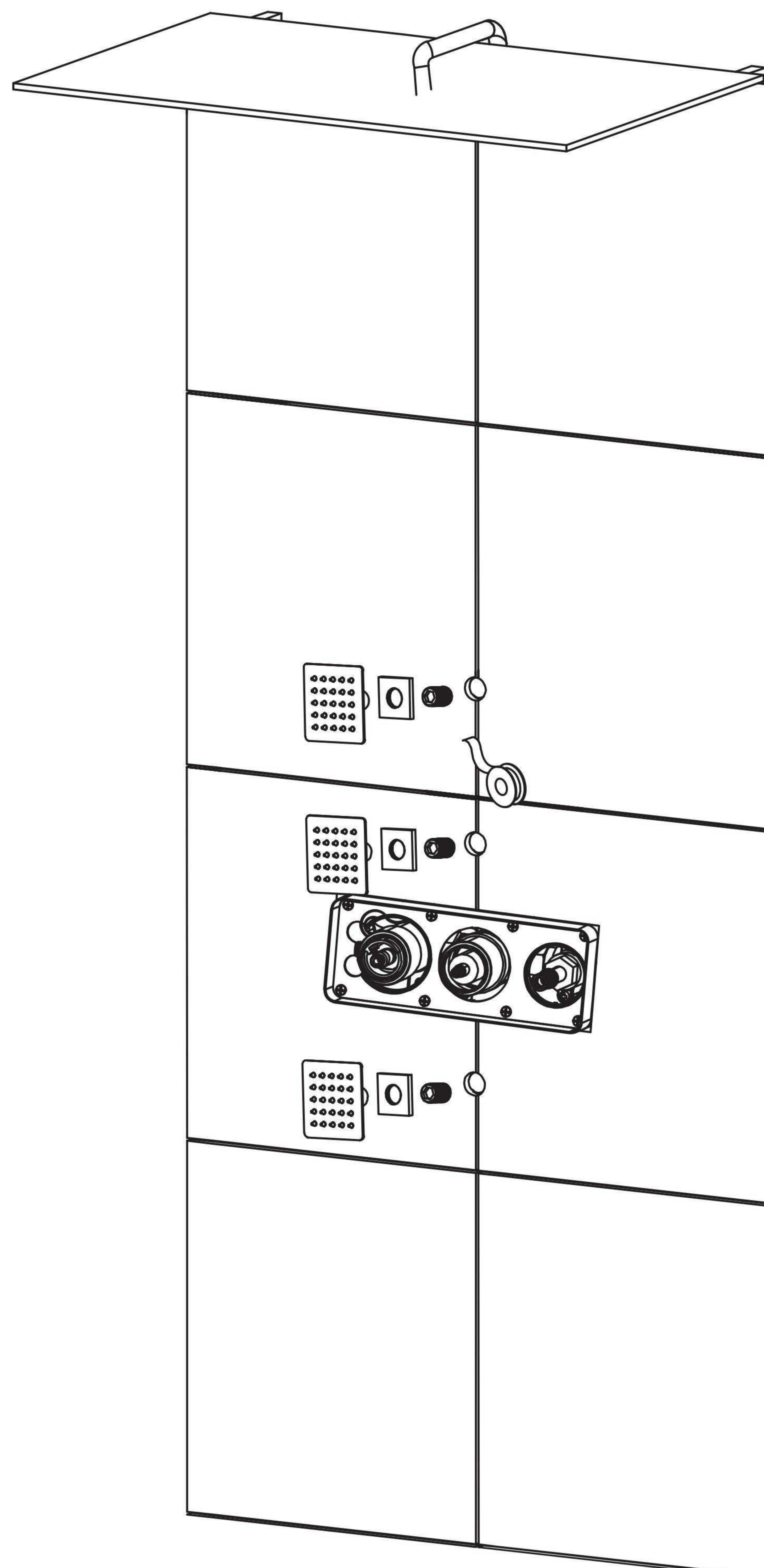


Note: Apply Teflon tape (plumbing tape) to the threads of the shower arm before screwing it into the wall to ensure a tight seal and prevent leaks.

# BODY JET INSTALLATION

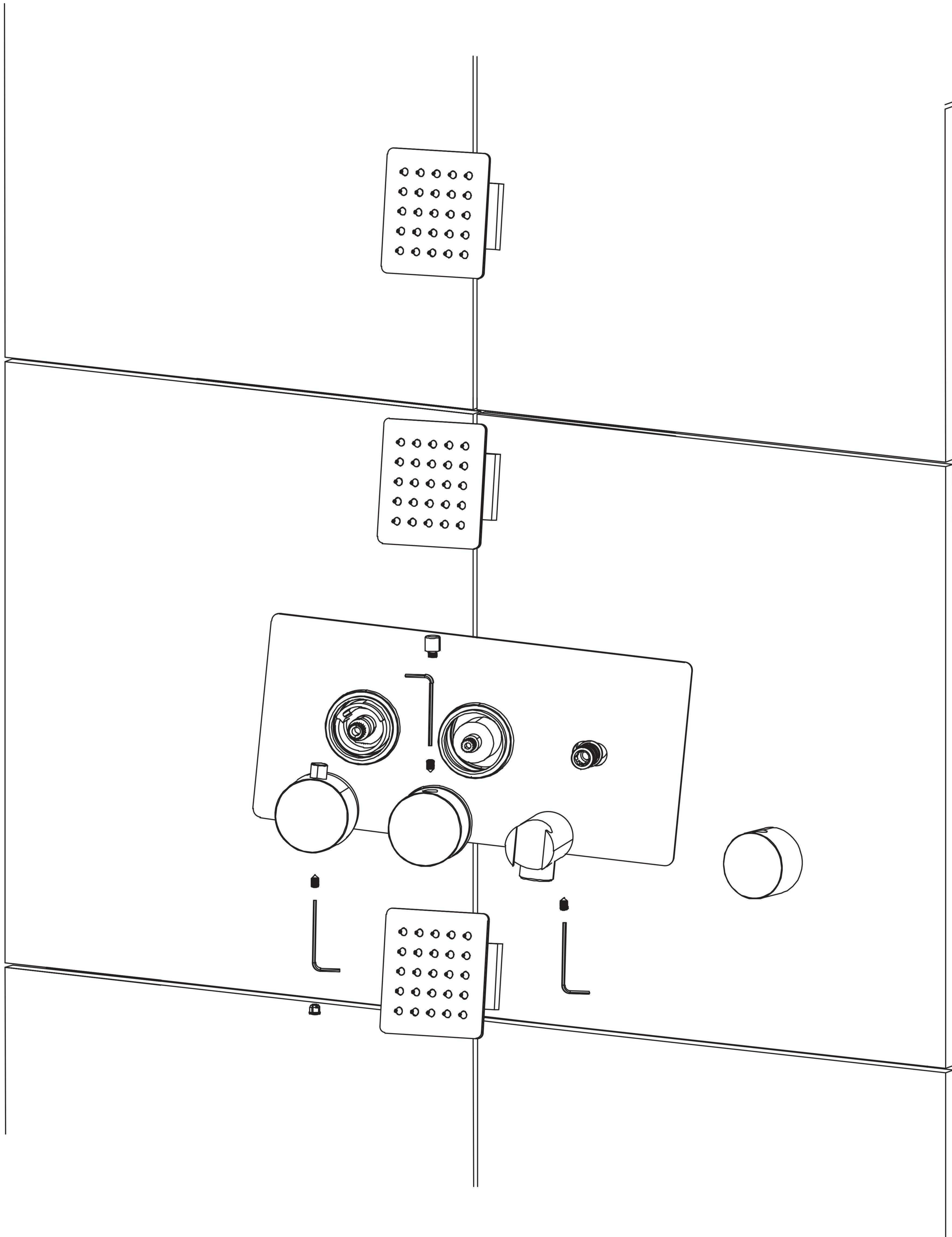


**Note: Wrap the threaded pipe of NPT1/2 with Teflon tape and screw it into the wall.**



# DIVERTER KNOB INSTALLATION

---



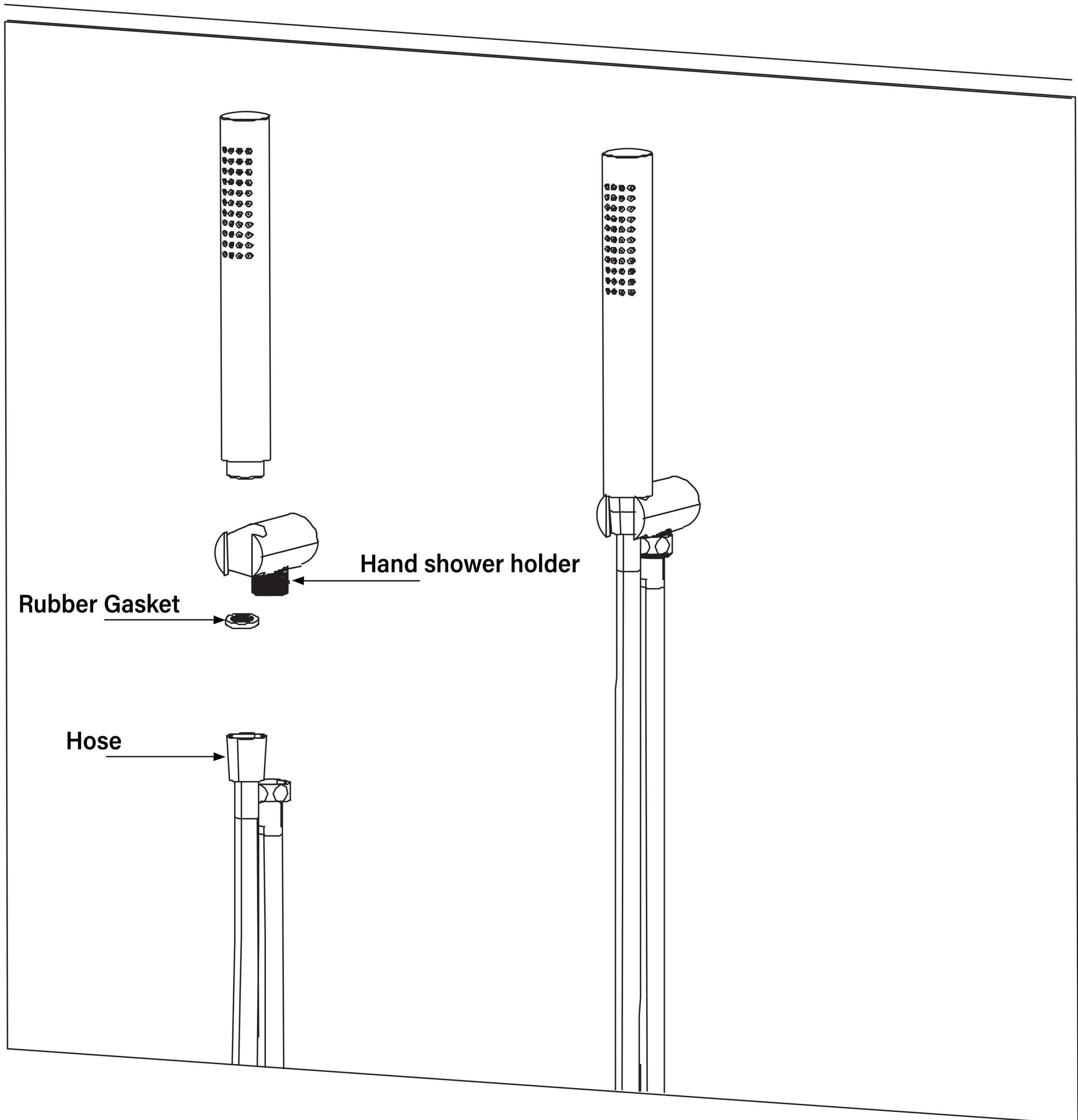
**Note:**



1. Take off protective cover on the valve, apply bead of quality sealant evenly along the back of metal plate.
2. Install the metal plate, diverter knobs and water temp. knob step by step.
3. Install the handle and knobs with screw and screw caps.

# INSTALL THE HAND SHOWER

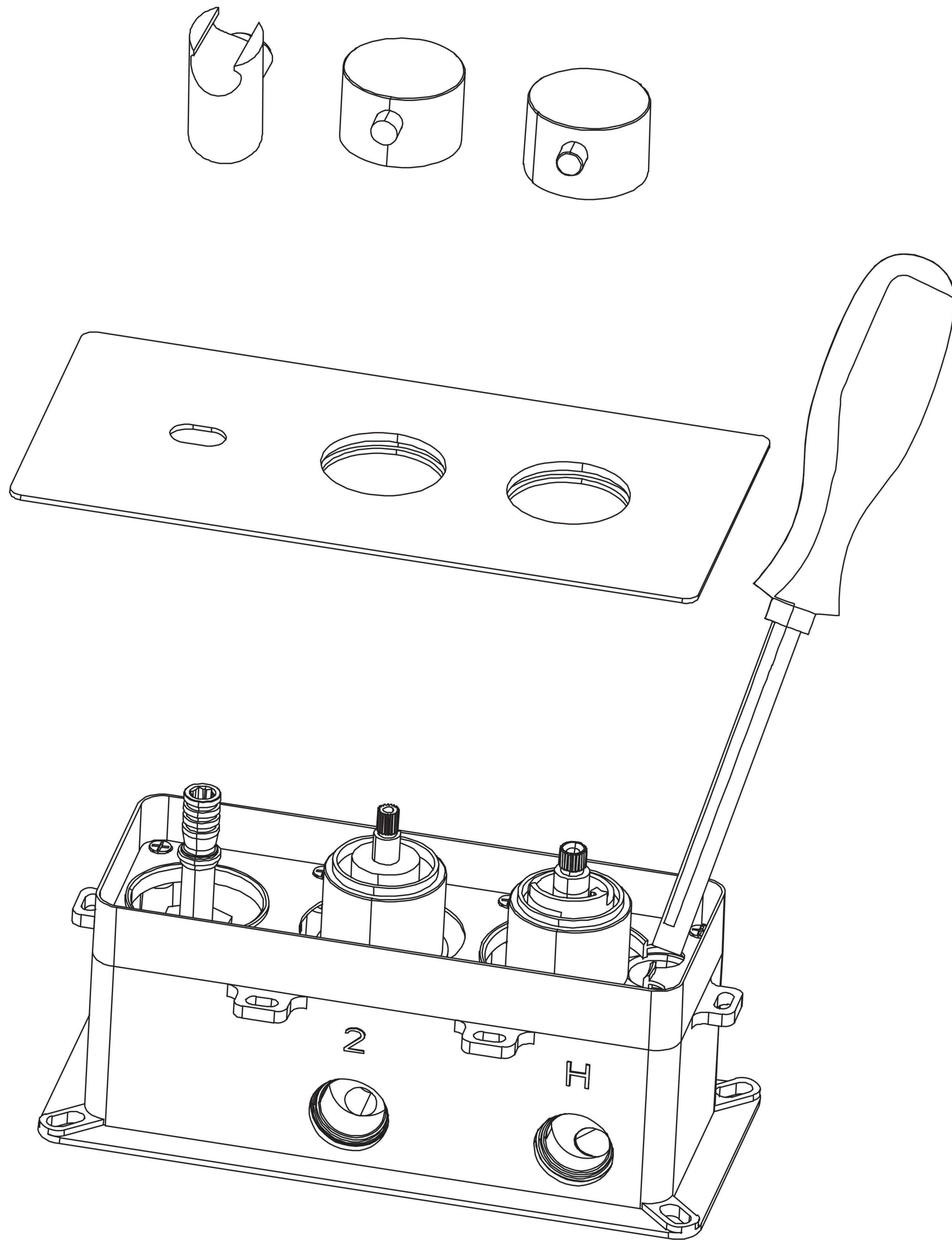
---



Note: Test the functionality of the hand shower. Check for any leaks.

# SHOWER VALVE MAINTENANCE

---



**Note:** There are two flow regulator on the valve, to repair or maintain the valve faucet, first turn off the diverter knob. Then, remove the panel and turn the flow regulating valves until the water line is shut off.