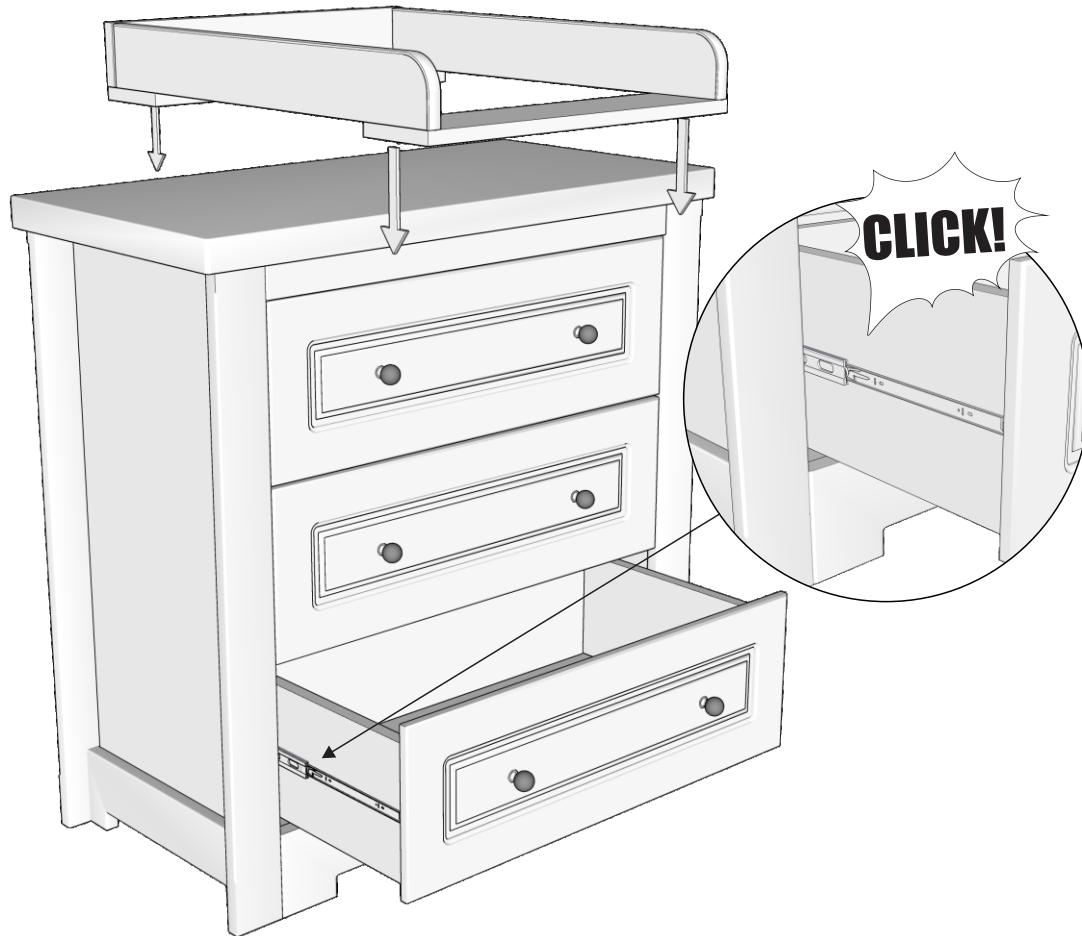






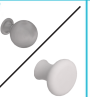





**NOTICE! KEEP FOR LATER USE, CONSIDER CAREFULLY
USER MANUAL: CHEST OF DRAWERS WITH CHANGING TOPPER**



LIST OF ELEMENTS

									
Hex key 1 pc	Confirmat screw 12 pcs	Pin 28 pcs	Cam 28 pcs	Wooden pin 65 pcs	Bolts/nails for chest back	Knob 6 pcs	Metal rails 3 sets	Bolt 3,5X15 25 pcs	Bolt 2,5X15 13 pcs

LIST OF ELEMENTS - CHESTS

1. SIDE WALLS - 2 pcs
2. UPPER SLAT - 1 pc
3. HARDBOARD FOR BACK - 2/3 pcs (depends on model)
4. PLASTIC CONNECTORS - 1/2 pcs
5. COUNTERTOP - 1 pc
6. BOTTOM PLATE - 1 pc
7. LEGS - 4 pcs
8. LOWER SLAT - 1 pc
9. SIDE ELEMENT - 2 pc

LIST OF ELEMENTS - DRAWER

10. DRAWER'S BACK - 3 pcs
11. DRAWER'S FRONT - 3 pcs
12. DRAWER'S SIDE - 6 pcs
13. HARDBOARD FOR BOTTOM - 3 pcs

LIST OF ELEMENTS - CHANGING TOPPER

14. UPPER SIDE - 2 pcs
15. HORIZONTAL PLATE - 2 pcs
16. VERTICAL PLATE - 1 pc

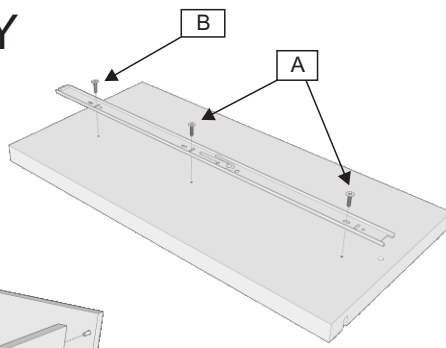


Bolt for knob
6 pcs

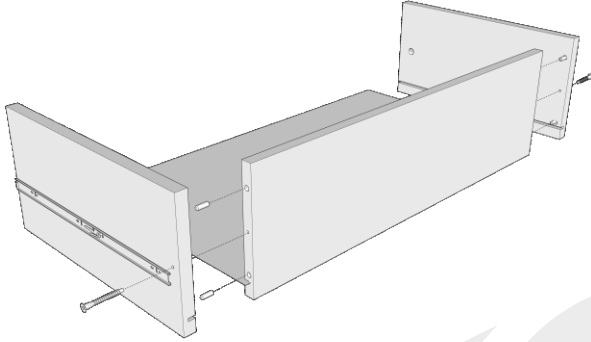
DRAWER'S ASSEMBLY

ATTENTION!

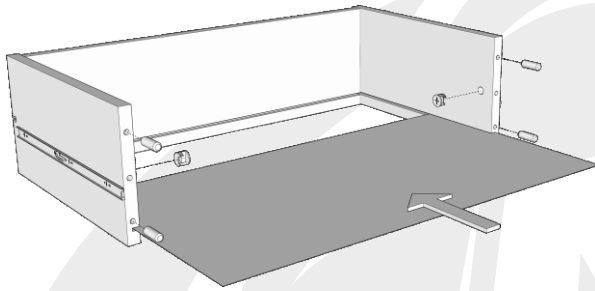
All mounting connectors must be fastened, but using too much force cause damages of chest materials. We suggest using the included allen key than screwdrivers. Pay attention to hammering the wooden pins with the appropriate force so as not to damage the elements!



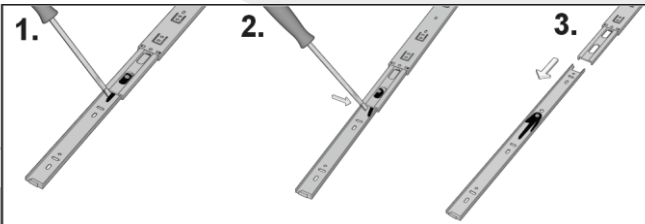
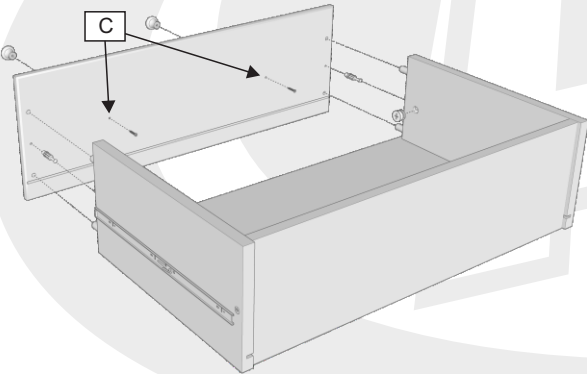
1.



2.



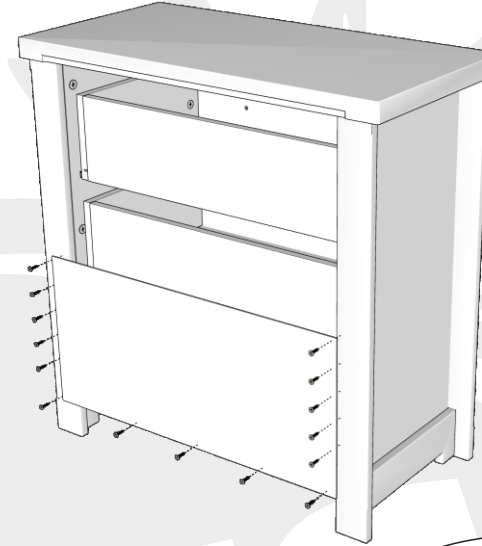
3.



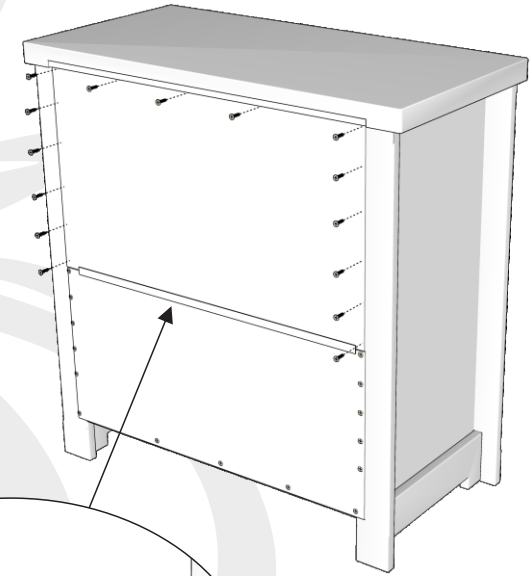
- Cams
2 pcs
- Wooden pins
8 pcs
- Confirmat screw
4 pcs
- Pins
2 pcs
- Bolt for knob (C)
2 pcs
- Bolts (A)
2,5x15
4 pcs
- Bolts (B)
3x15
2 pcs

HEADBOARD AND TOPPER ASSEMBLY

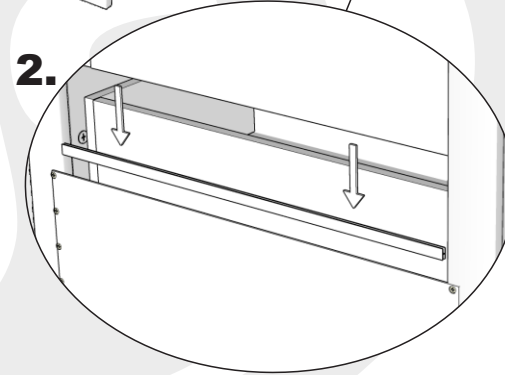
1.



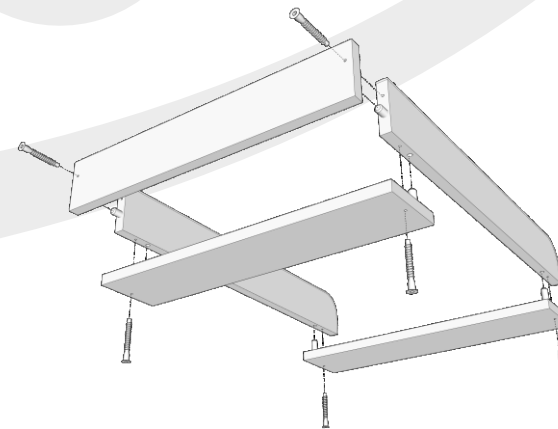
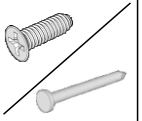
2.



2.

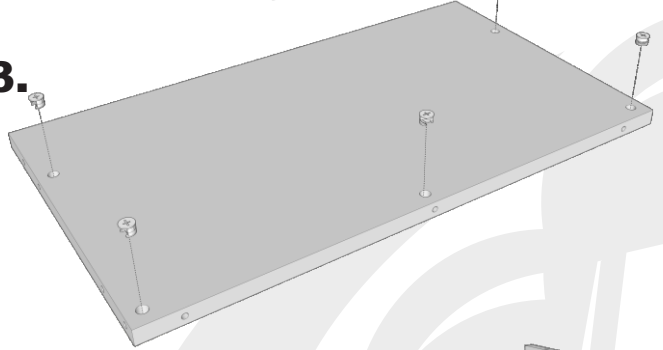
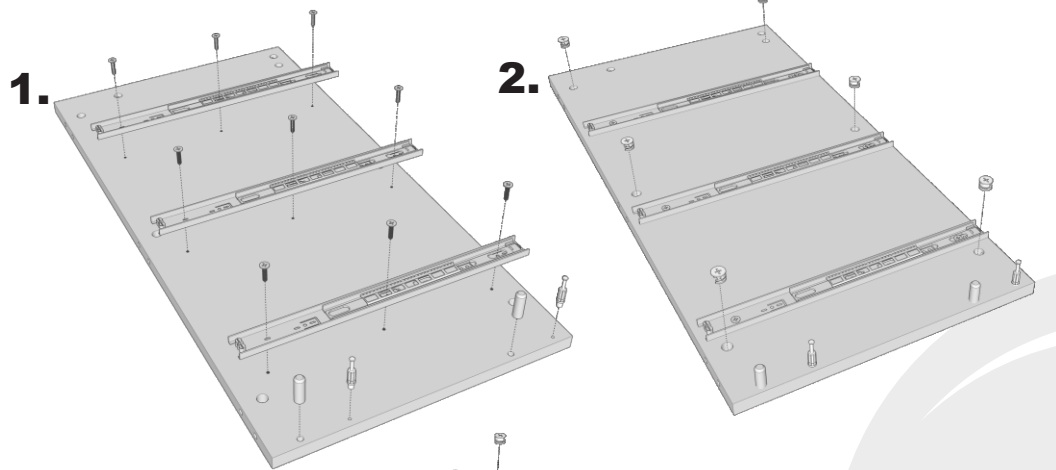


Bolts/
nails

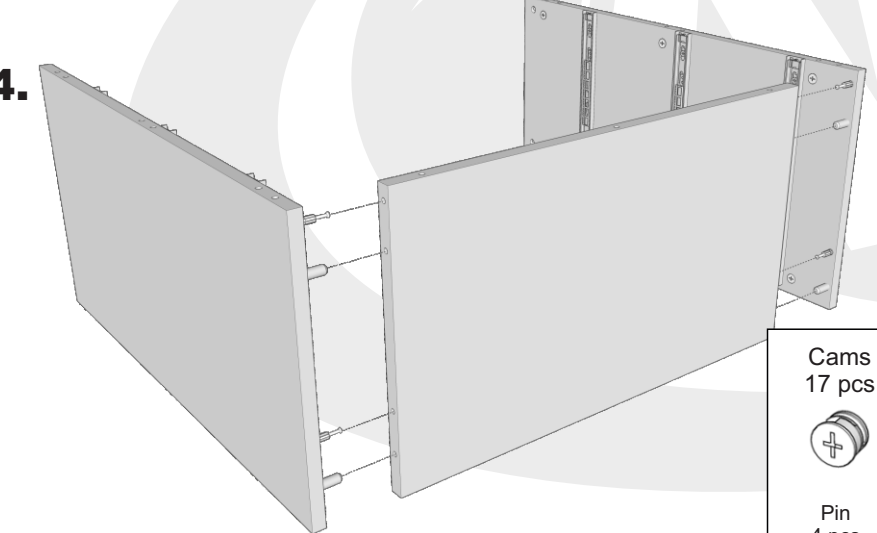






- Confirmat screw
6 pcs
- Wooden pin
6 pcs

SIDE'S ASSEMBLY

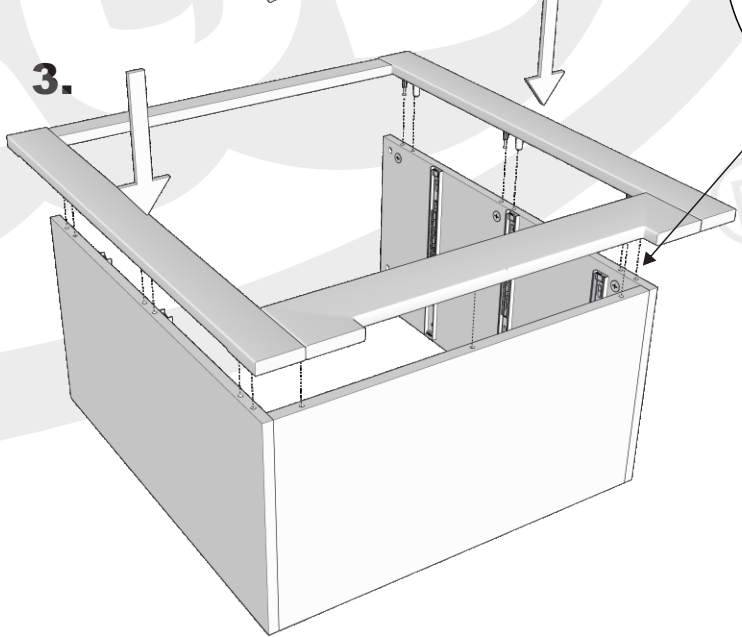
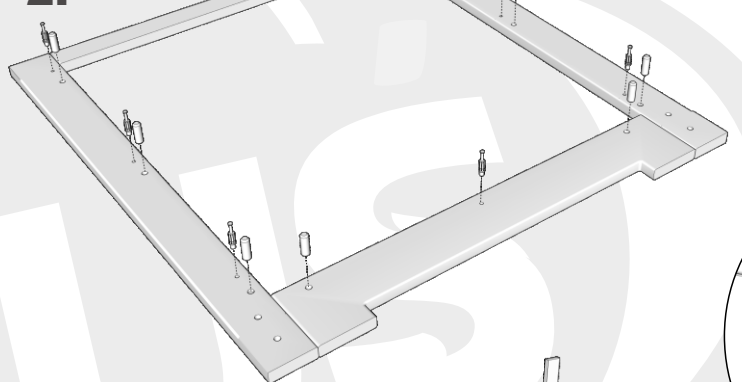
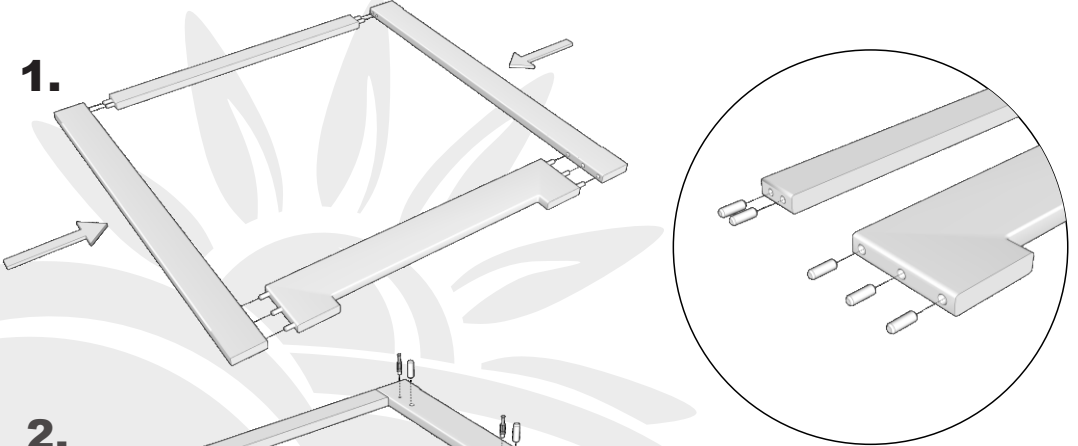




We suggest to make an assembly on soft surface in case of scratching elements. You can use protective foam which was chests elements wrapped.



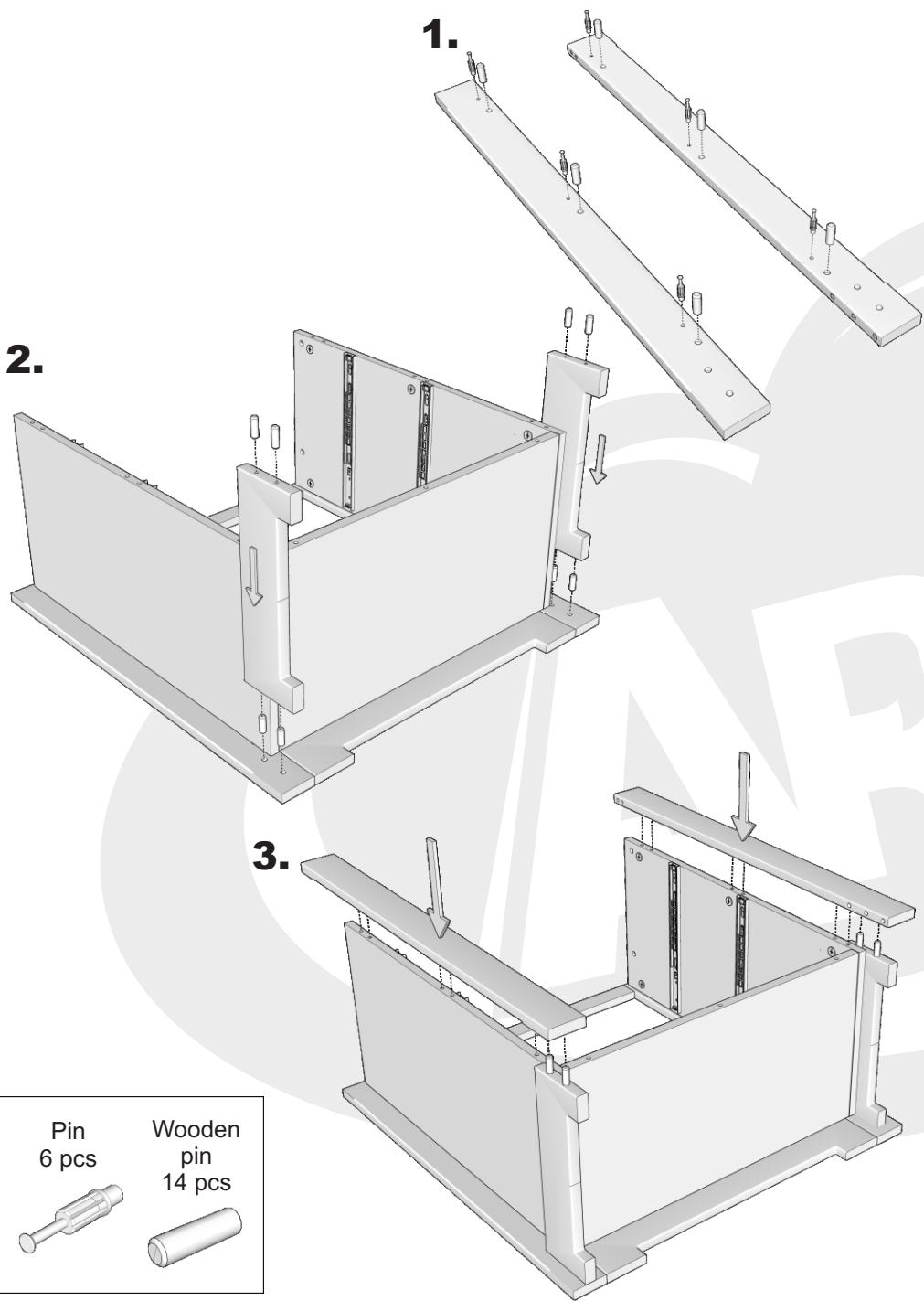
- | | |
|---|--|
| Cams
17 pcs | Wooden pins
4 pcs |
|  |  |
| Pin
4 pcs | Bolts
3x15
18 pcs |
|  |  |

FRONT LEG'S ASSEMBLY



- | | |
|---|---|
| Pins
7 pcs | Wooden pin
8 pcs |
|  |  |

BACK LEG'S ASSEMBLY



HEADBOARD ASSEMBLY

