

Guaranteed to **hold**
other **beverages**, too.

Industrial Style Coffee Table

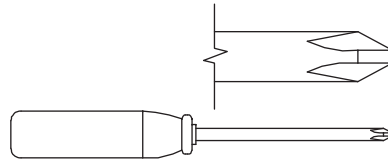
NOTE: THIS INSTRUCTION
BOOKLET CONTAINS **IMPORTANT**
SAFETY INFORMATION.

PLEASE READ AND KEEP FOR
FUTURE REFERENCE.

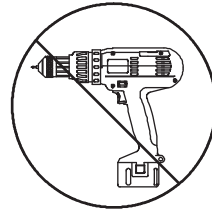
Table of Contents

Assembly Tools Required

Part Identification	3
Hardware Identification	3
Assembly Steps	4-5



No. 2 Phillips Screwdriver
Tip Shown Actual Size



Skip the power trip.
This time.

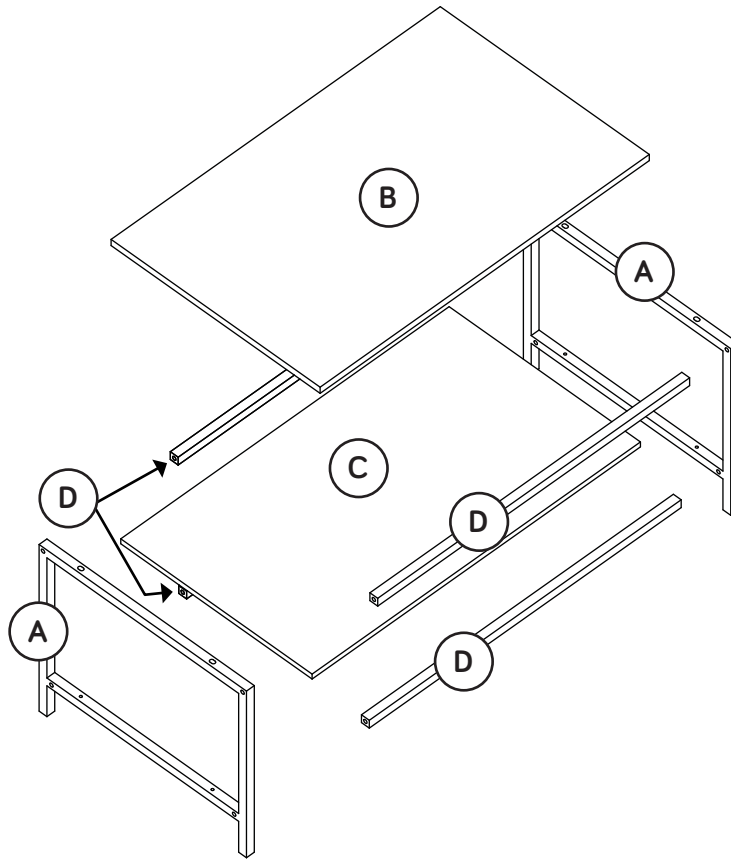
Part Identification

Now you know
the ABCs.



⚠ While not all parts are labeled, some of the parts will have a label or an inked letter on the edge to help distinguish similar parts from each other. Use this part identification to help identify similar parts.

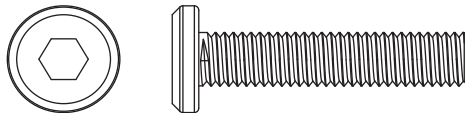
A	END (2)
B	TOP (1)
C	BOTTOM (1)
D	BRACE (4)



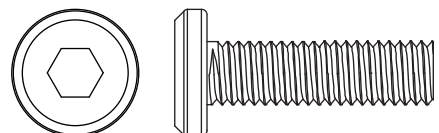
Hardware Identification

⚠ Screws are shown actual size. You may receive extra hardware with your unit.

1 1-3/8" ALLEN SCREW - 8



2 1-3/16" ALLEN SCREW - 4



3 1-1/8" SCREW - 4

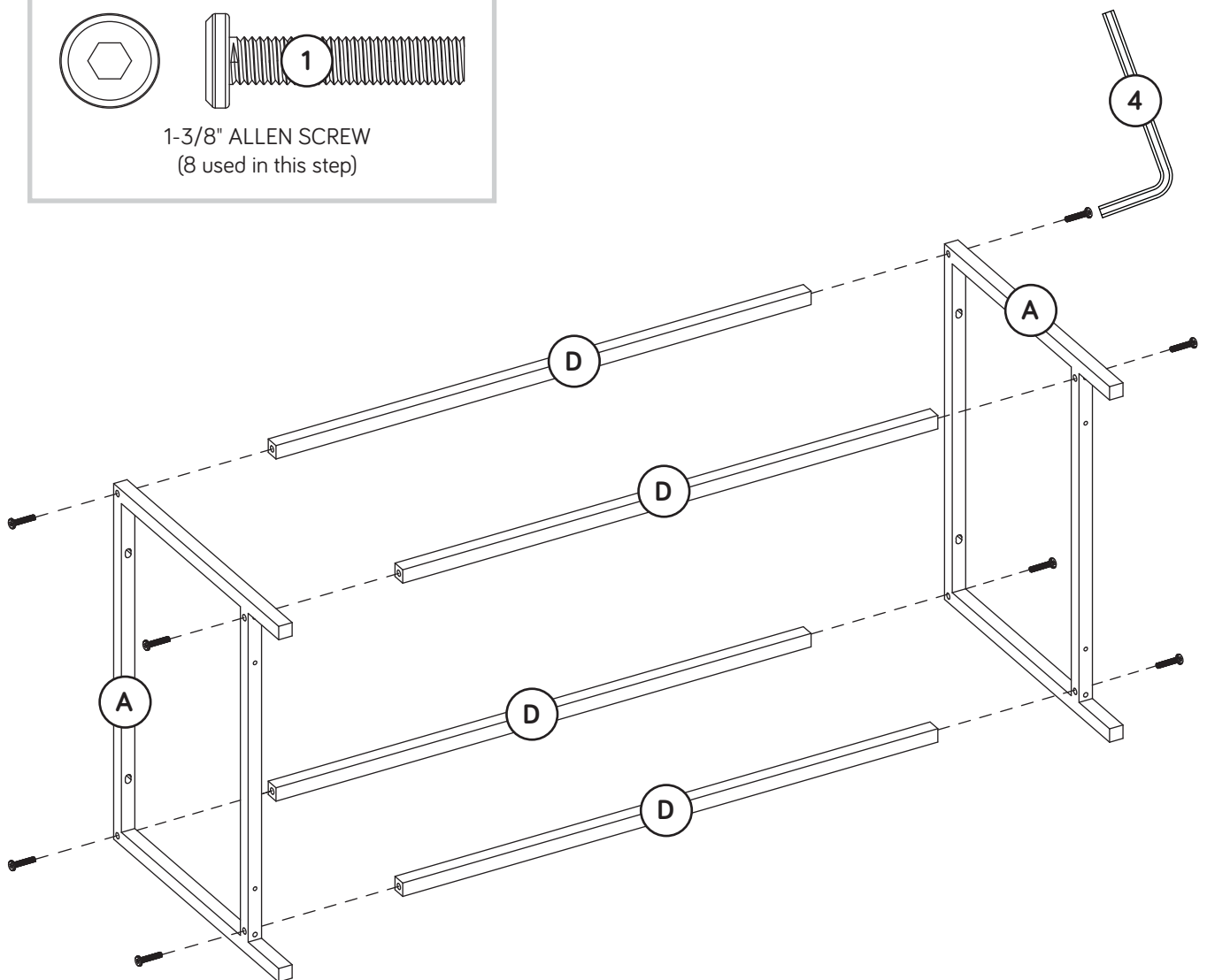
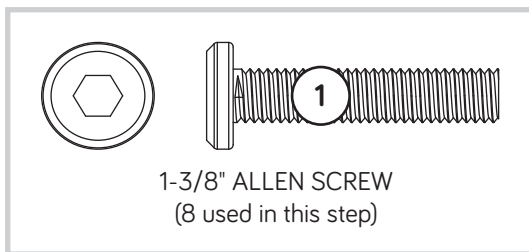


4 ALLEN WRENCH - 1



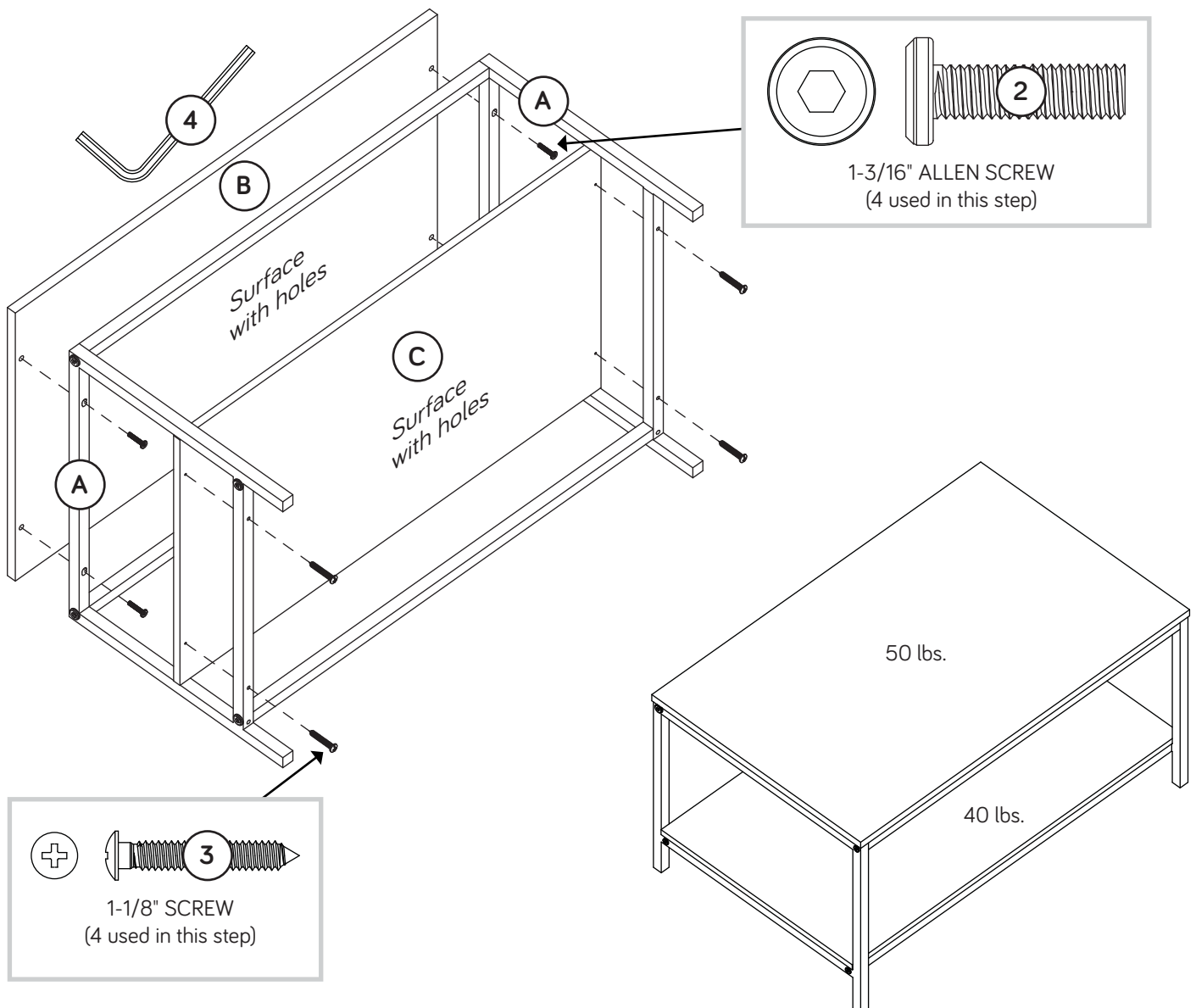
Step 1

- ✚ Assemble your unit on a carpeted floor or on the empty carton to avoid scratching your unit or the floor.
- ✚ **NOTE:** Start all of the SCREWS before tightening any of them.
- ✚ Fasten the ENDS (A) to the BRACES (D). Tighten eight 1-3/8" ALLEN SCREWS (1) using the ALLEN WRENCH (4).
- ✚ Square up the BRACES (D) to the ENDS (A).
- ✚ Completely tighten all of the SCREWS.



Step 2

- ✦ Fasten the TOP (B) to the ENDS (A). Tighten four 1-3/16" ALLEN SCREWS (2) into the threaded inserts in the TOP using the ALLEN WRENCH (4).
- ✦ **NOTE:** Start all of the SCREWS (2) before tightening any of them.
- ✦ Fasten the BOTTOM (C) to the ENDS (A). Use four 1-1/8" SCREWS (3).
- ✦ **NOTE:** Do not overtighten the SCREWS (3).
- ✦ Carefully stand your unit upright.
- ✦ **NOTE:** Please read the back pages of the instruction booklet for important safety information.
- ✦ This completes assembly. Clean with your favorite furniture polish or a damp cloth. Wipe dry.



⚠ WARNING

Please use your furniture correctly and safely. Improper use can cause safety hazards, or damage to your furniture or household items. ***Carefully read the following chart.***

Look out for:	What can happen:	How to avoid the problem:
<ul style="list-style-type: none">• Overloaded shelves.	<ul style="list-style-type: none">• Risk of injury.• Top-heavy furniture can tip over.• Overloaded shelves can break.	<ul style="list-style-type: none">• Never exceed the weight limits shown in the instructions.• Work from bottom to top when loading shelves. Place the heavier items on the lower shelves.
<ul style="list-style-type: none">• Placing TVs on furniture items that are not designed to support a television is hazardous.	<ul style="list-style-type: none">• Risk of injury or death. TVs can be very heavy. Plus the weight and location of the picture tube tends to make TVs unbalanced and prone to tipping forward.	<ul style="list-style-type: none">• This product is not designed to support a television.