

## CARE AND MAINTENANCE

Store outdoor furniture indoors or cover well when not in use.

Remove wooden furniture from standing water. Dust regularly with small brush or vacuum

Spills should be taken care of immediately before they harden or stain with a slightly dampened sponge.










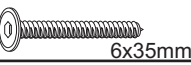
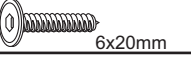
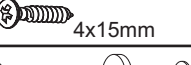



## NOTICE

\* Please make sure that you have all parts indicated before you begin assembly of this item

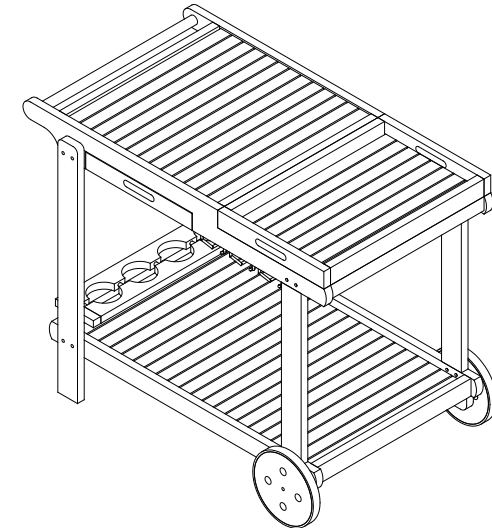
\* This item should be assembled on a soft surface to prevent scratching the finish during assembly

\* This item may require periodic tightening

## Part List and Hardware List

PIECE	DESCRIPTION	PICTURE	QUANTITY
A	Bottom tray		1X
B	Frame tray		2X
C	Top frame		1X
D	Wheel		2X
E	Leg -1		2X
H1	Cross bar		2X
H2	Leg-2		2X
H3	Alcohol tray		1X
H4	Frame hanging glass		1X
H5	Screw -1	 6x35mm	4X
H6	Screw -1	 6x20mm	8X
H7	Screw -1	 4x15mm	6X
H8	Allen bolt L1	 8x40mm	2X
H9	Allen bolt L2	 6x40mm	8X
H10	Allen bolt L	 1X 2X	

Product Dimensions: 23.78" W x 39.37" D x 29.92" H



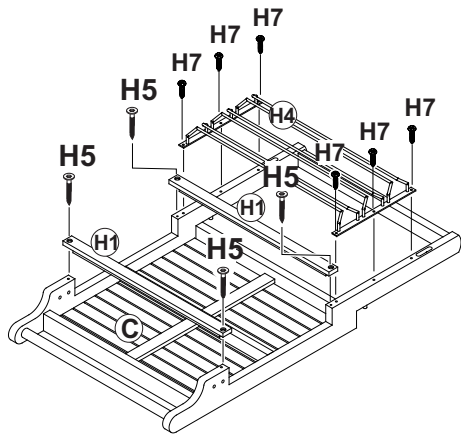
## PREPARATION

Before beginning assembly of product, make sure all parts are present. Compare parts with package contents list and hardware contents list. If any part is missing or damaged, do not attempt to assemble the product.

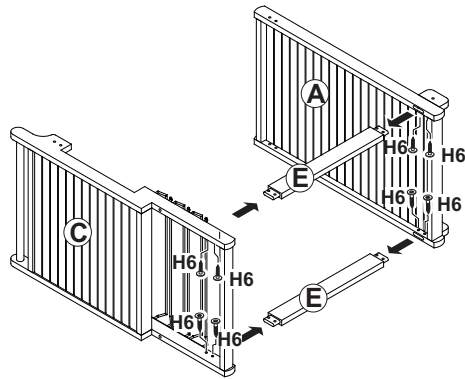
Estimated Assembly Time: 10 minutes.

Tools Required for Assembly (included): Allen Key

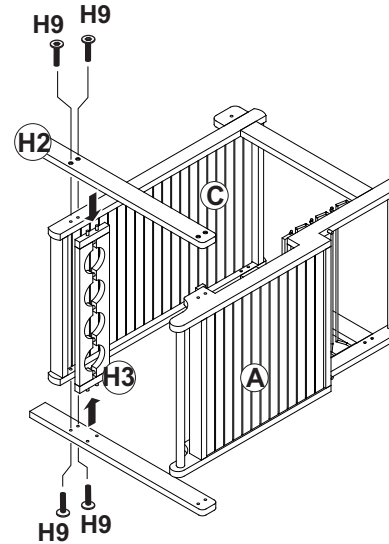
1



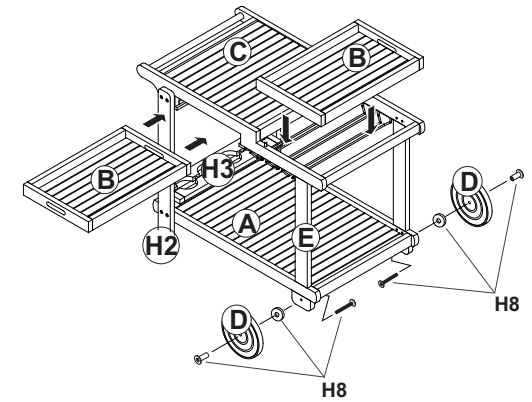
2



3



4



**Step 1**  
Use (H7) to attach (H4) to (C), and use (H5) to attach (H1) to (C), use allen key (H10) to tighten (H7) and (H5).

**Step 2**  
Attach (E) to (A) and (C), and use (H6) to attach.

**Step 3**  
Use (H9) to attach (C) & (H).

**Step 4**  
Put (B) inside and down.