










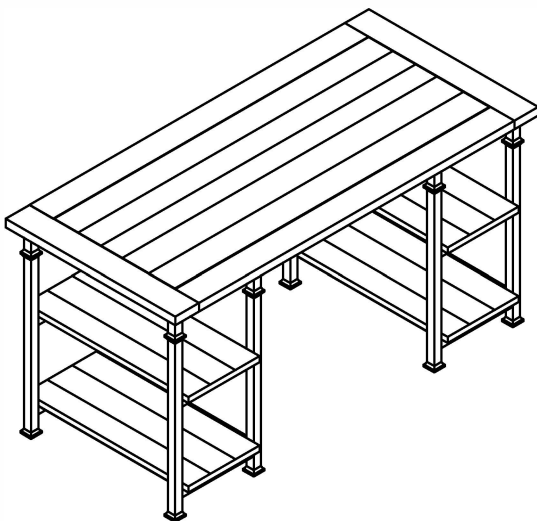


# ASSEMBLY INSTRUCTION

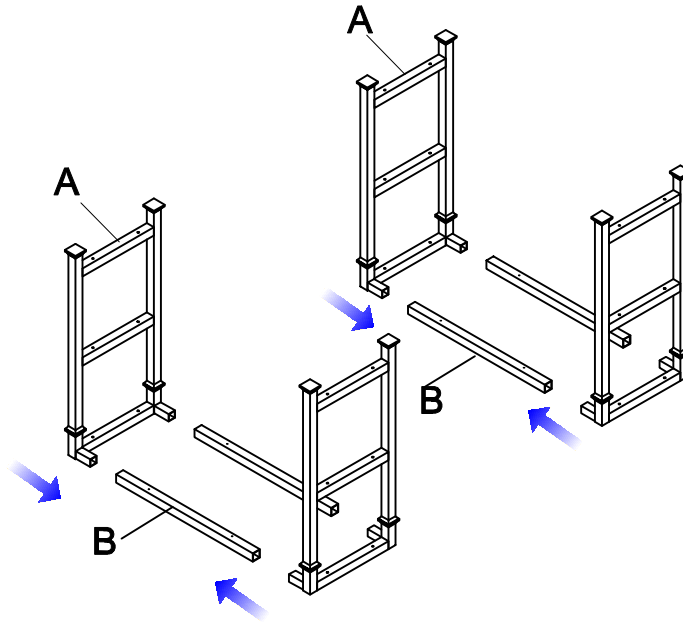
## FACTORY RUSTIC OAK FINISH METAL & POPLAR WRITING DESK

<b>A</b> Side Frame  4PCS	<b>B</b> Iron Bar  4PCS	<b>C</b> Top Panel  1PC	<b>D</b> Middle Shelf  2PCS
<b>E</b> Bottom Panel  2PCS	<b>F</b> Bolt-Small 1/4"X1-1/2"  16PCS	<b>G</b> Spacer 40X40X3mm  8PCS	<b>H</b> Lock Washer 1/4"  32PCS
<b>I</b> Flat Washer 1/4"*16mm  32PCS	<b>J</b> Allen Key 4mm  1PC	<b>K</b> Bolt-Large 1/4"X1-3/4"  16PCS	

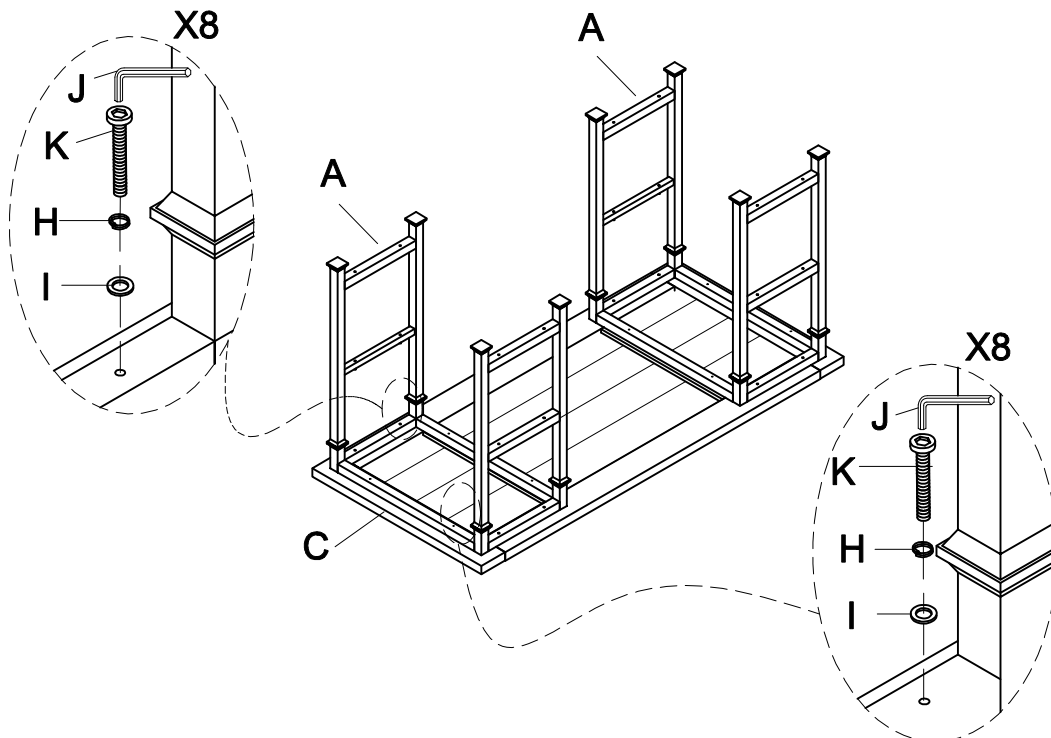


This page lists all the contents included in the box. Please take the time to identify the hardware as well as the individual components to this product. AS you unpack and prepare for assembly. place the contents on a carpeted or padded area to protect them from damage.

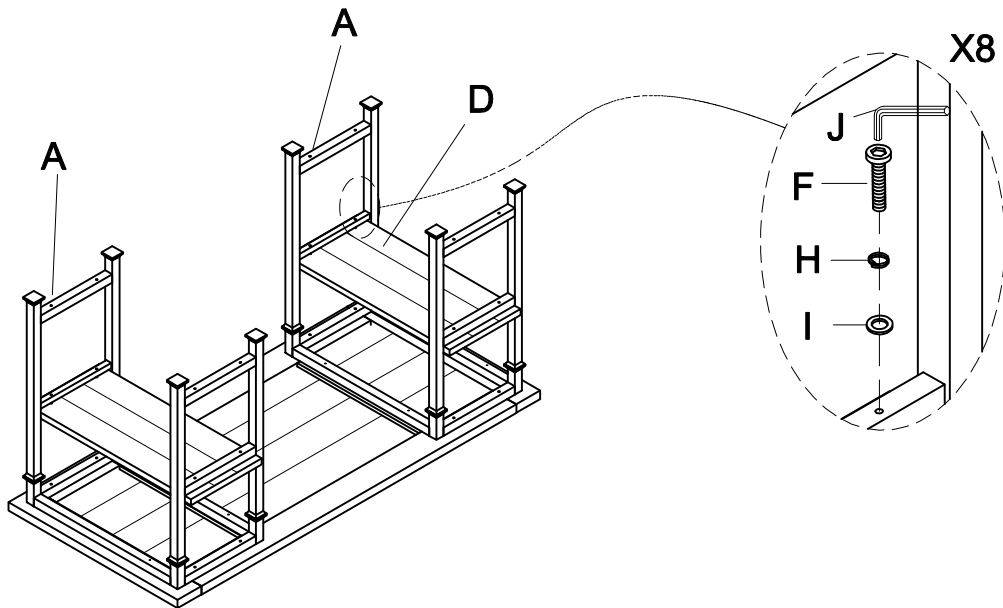
**1** Attach Iron Bar (B) to the Side Frame (A) as below showing.



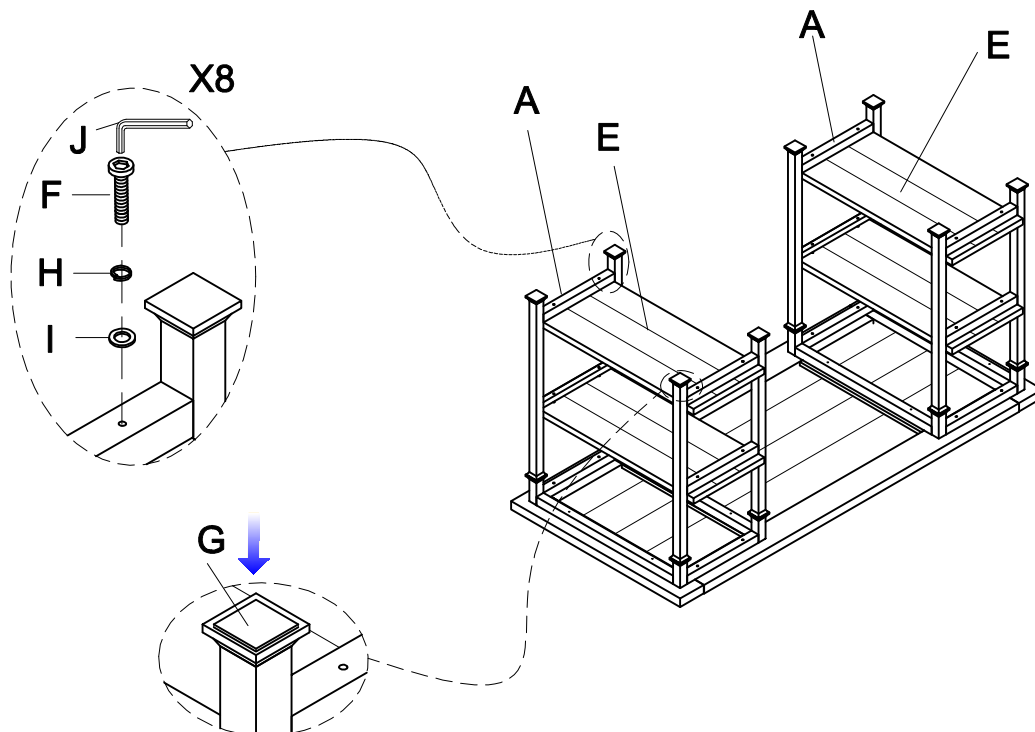
**2** Attach the assembled Side Frame(A) to the Top Panel (C) by using Flat Washer (I), Lock Washer (H) and Bolt-Large (K) with Allen Key (J).



- 3** Attach the Middle Shelf (D) to the Side Frame (A) by using Flat Washer (I), Lock Washer (H) and Bolt-Small (F) with Allen Key (J).



- 4** Attach the Bottom Shelf (E) to the Side Frame (A) by using Flat Washer (I), Lock Washer (H) and Bolt-Small (F) with Allen Key (J).



#### Cleaning & Care

Treat surface with care. Surface is resistant to scratches but is not scratch resistant. Clean surfaces with a dry or damp soft cloth. Do not use abrasive cleaners. Hardware may loosen over time. Periodically check that all connections are tight.