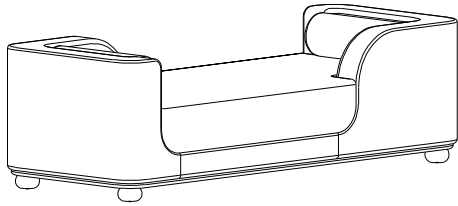
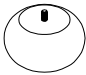




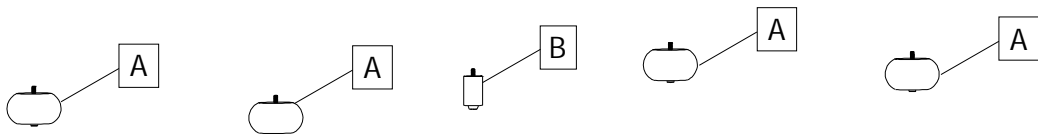
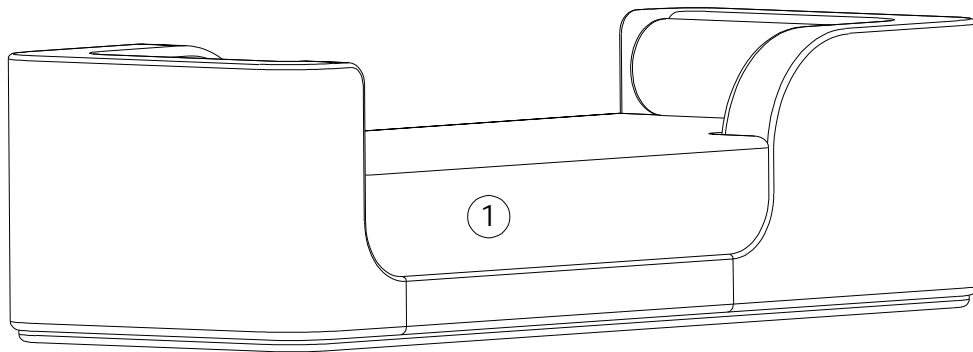
# ASSEMBLY INSTRUCTION

## BILBURY CHAISE



### PART LIST

|   |   |             |   |
|---|---|-------------|---|
| A |  | LEGS        | 4 |
| B |  | CENTER LEG  | 1 |
| C |  | LOCK WASHER | 4 |

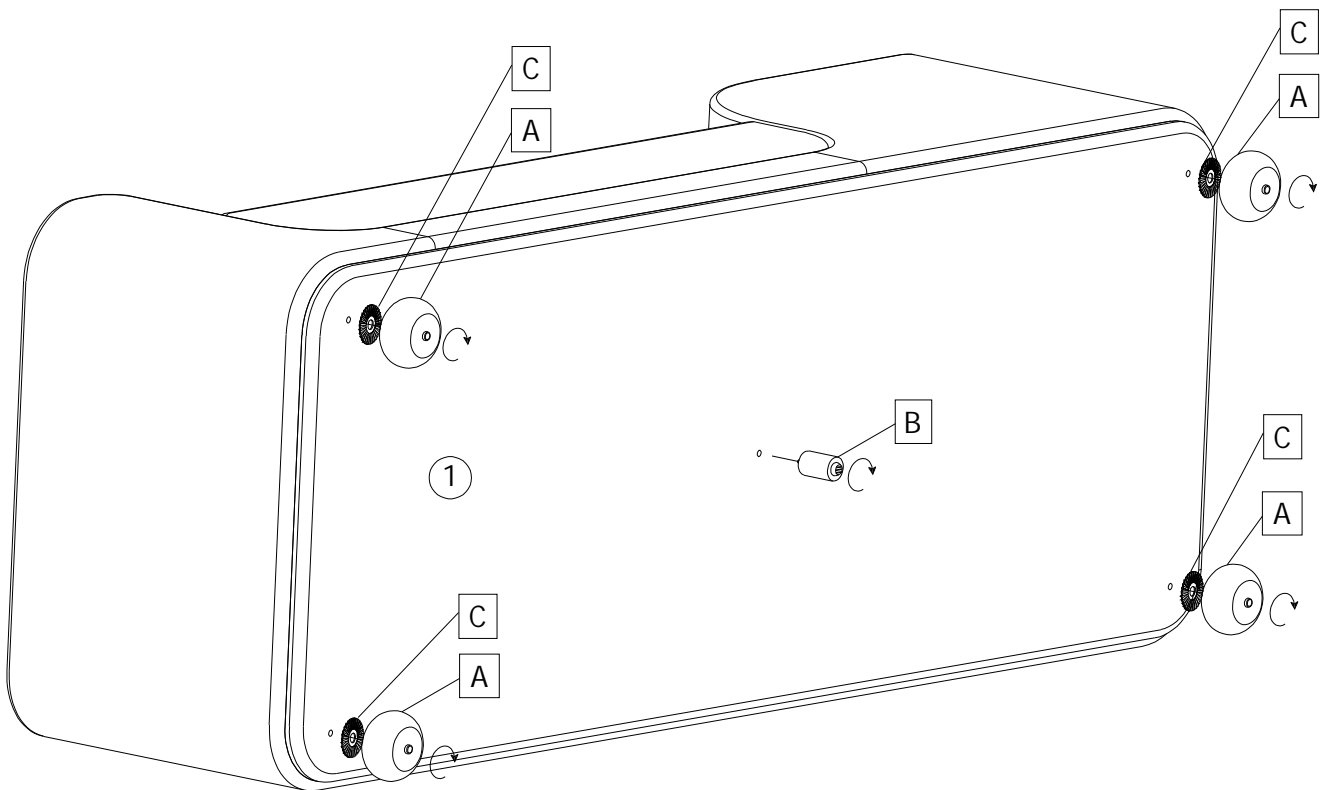


# ASSEMBLY INSTRUCTION

## BILBURY CHAISE

1

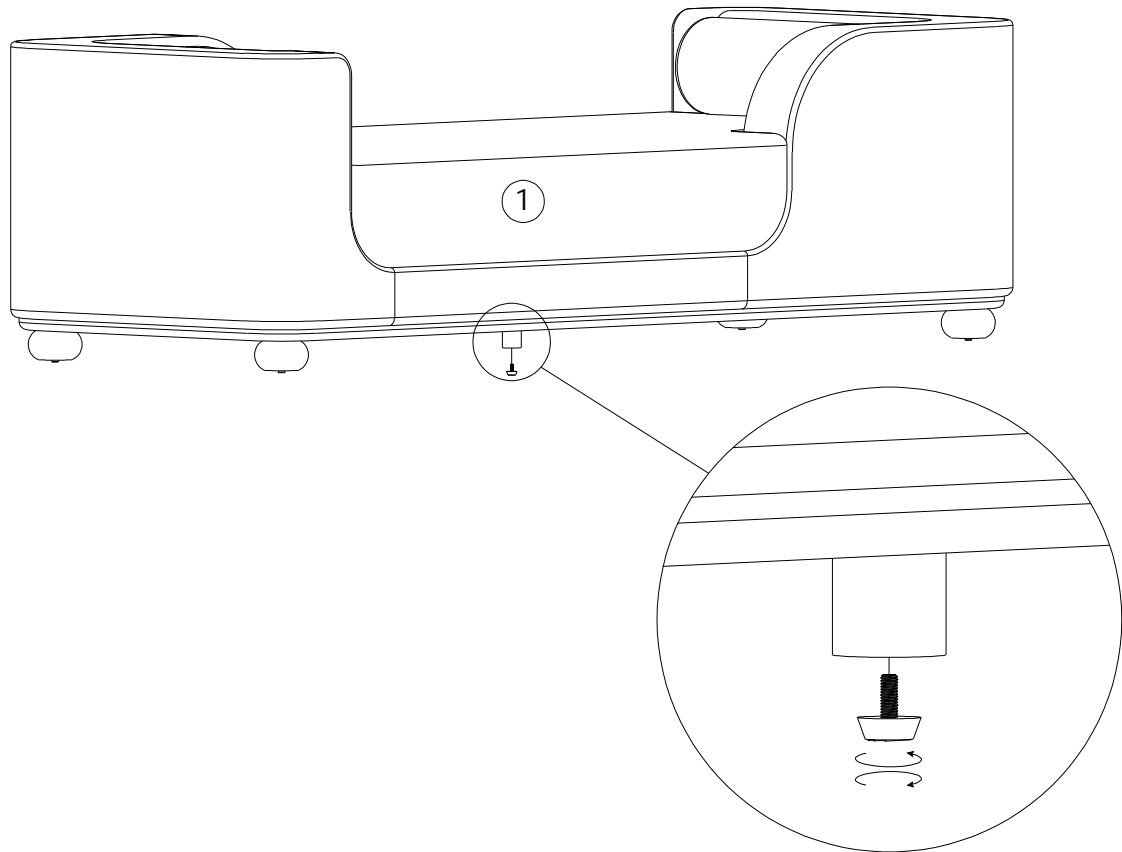
Tighten the legs properly to make sure legs align with frame.



# ASSEMBLY INSTRUCTION

## BILBURY CHAISE

2



### Adjusting Floor Levelers

Your furniture has been expertly crafted and pre-adjusted by professionals. However, slight shifts can occur during transportation. If you notice that the doors are not perfectly aligned or the furniture wobbles, a quick adjustment can help ensure stability and a seamless look.

### Adjust the Floor Levelers

**Check for Stability** - Place the furniture in its final position on a level surface. If it wobbles or doesn't sit evenly, the floor levelers need adjusting.

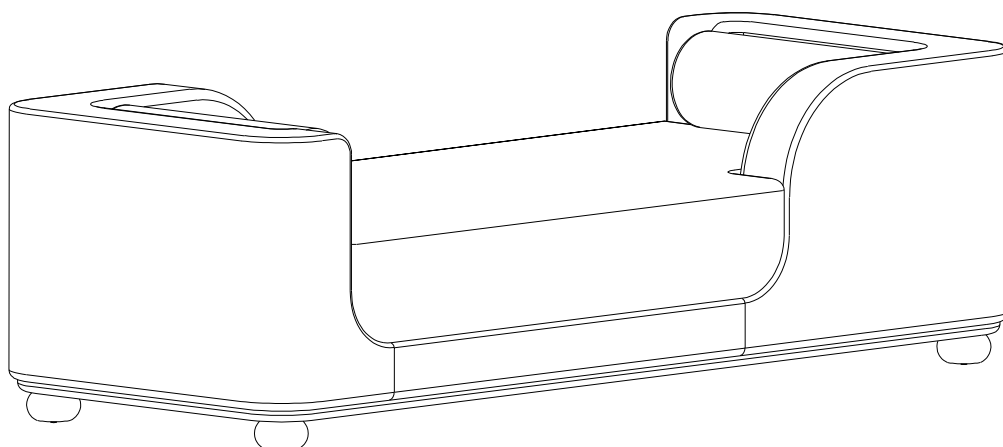
**Locate the Levelers** - These are small adjustable feet found at the bottom corners of your furniture.

**Adjust as Needed** - Using your hand or a wrench, turn the levelers clockwise to raise or counterclockwise to lower the furniture. Make small adjustments and check stability after each turn.

# ASSEMBLY INSTRUCTION

## BILBURY CHAISE

3



FINISHED

PAGE 4/4