

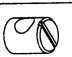


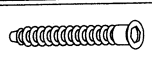




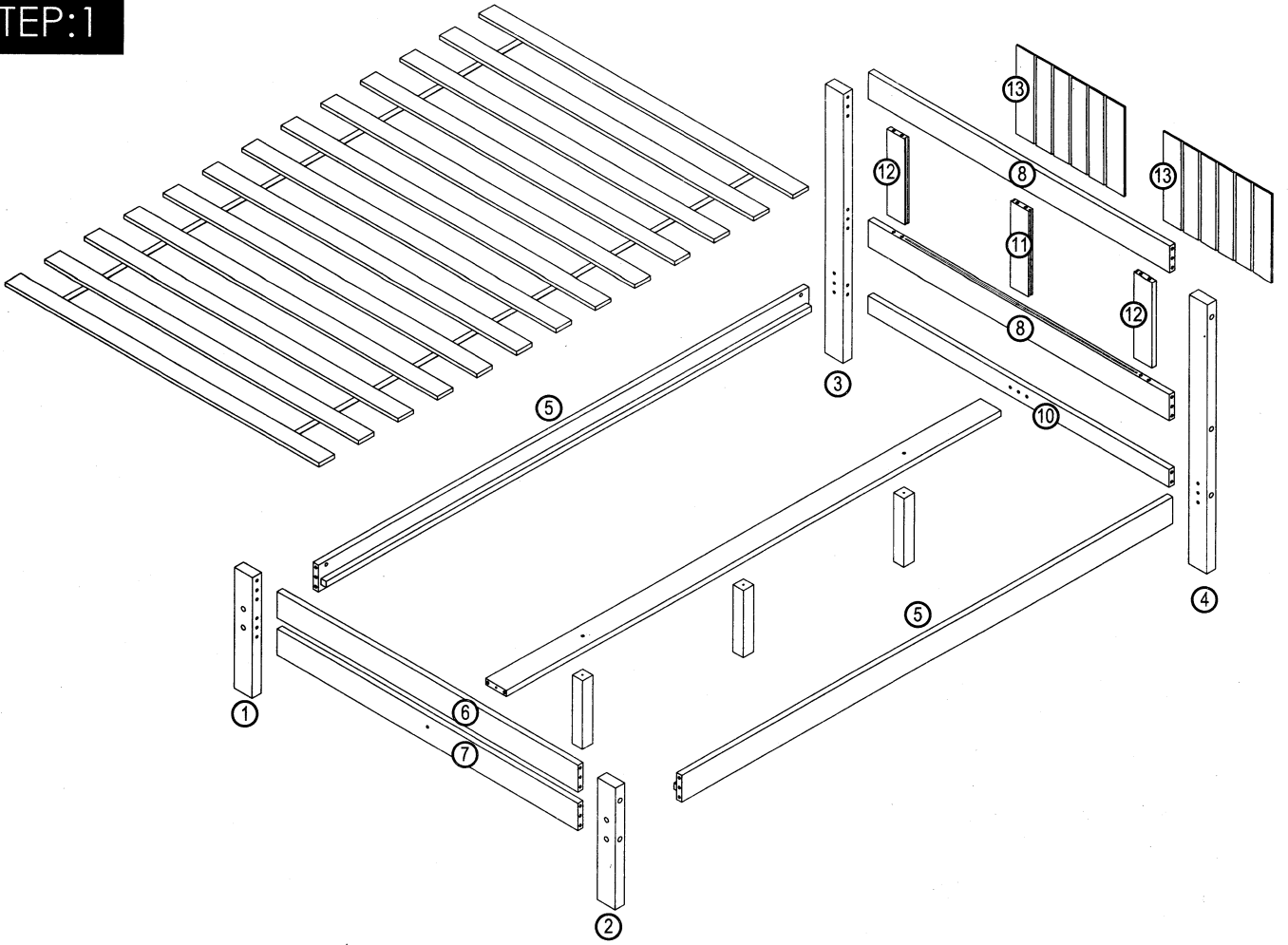
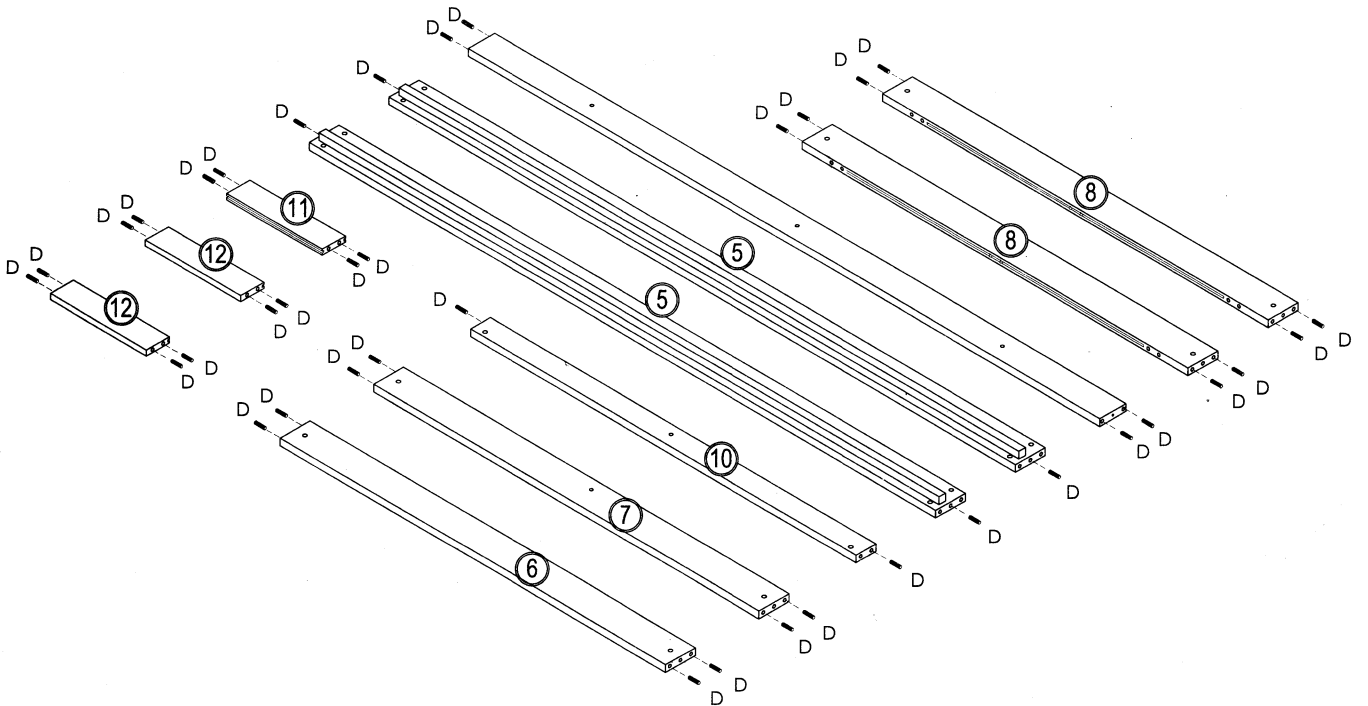



|   |   |        |    |
|---|---|--------|----|
| A |  | M6*100 | 10 |
| B |  | M6*70  | 8  |
| C |  |        | 18 |
| D |  | Φ8*30  | 38 |
| E |  | Φ6*70  | 2  |
| F |  | Φ7*50  | 3  |
| G |  | 4*30   | 26 |
| H |  | Φ12    | 2  |
| J |  | Φ15    | 18 |
| K |  | 4 mm   | 1  |

**STEP:1**

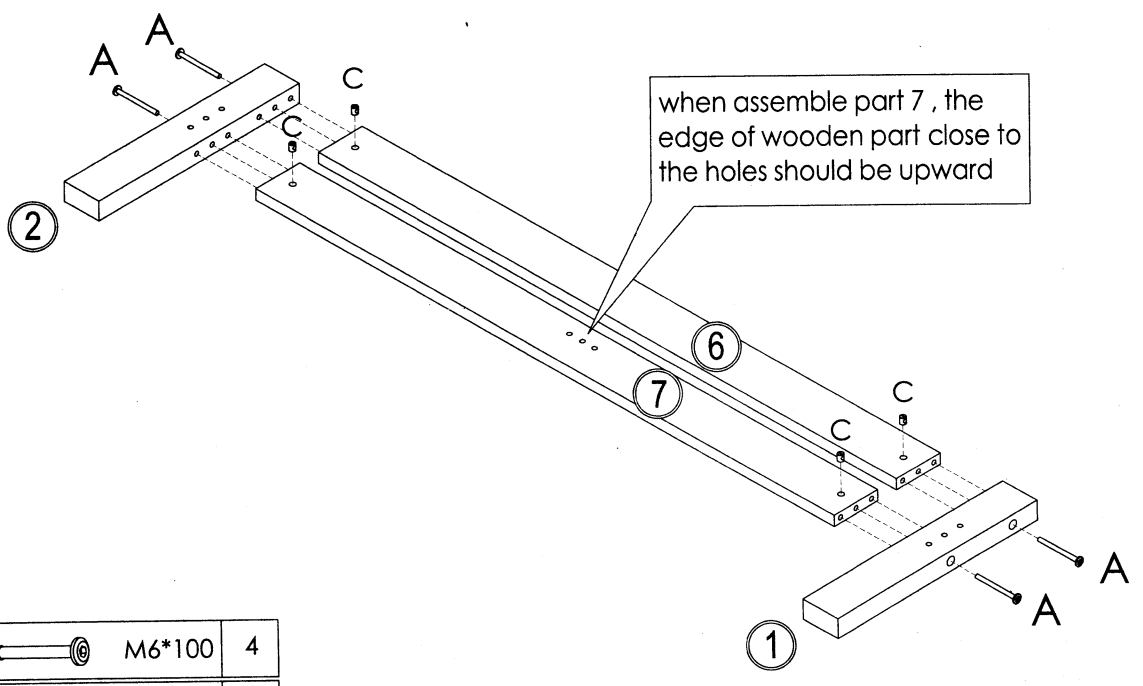




**STEP:2**



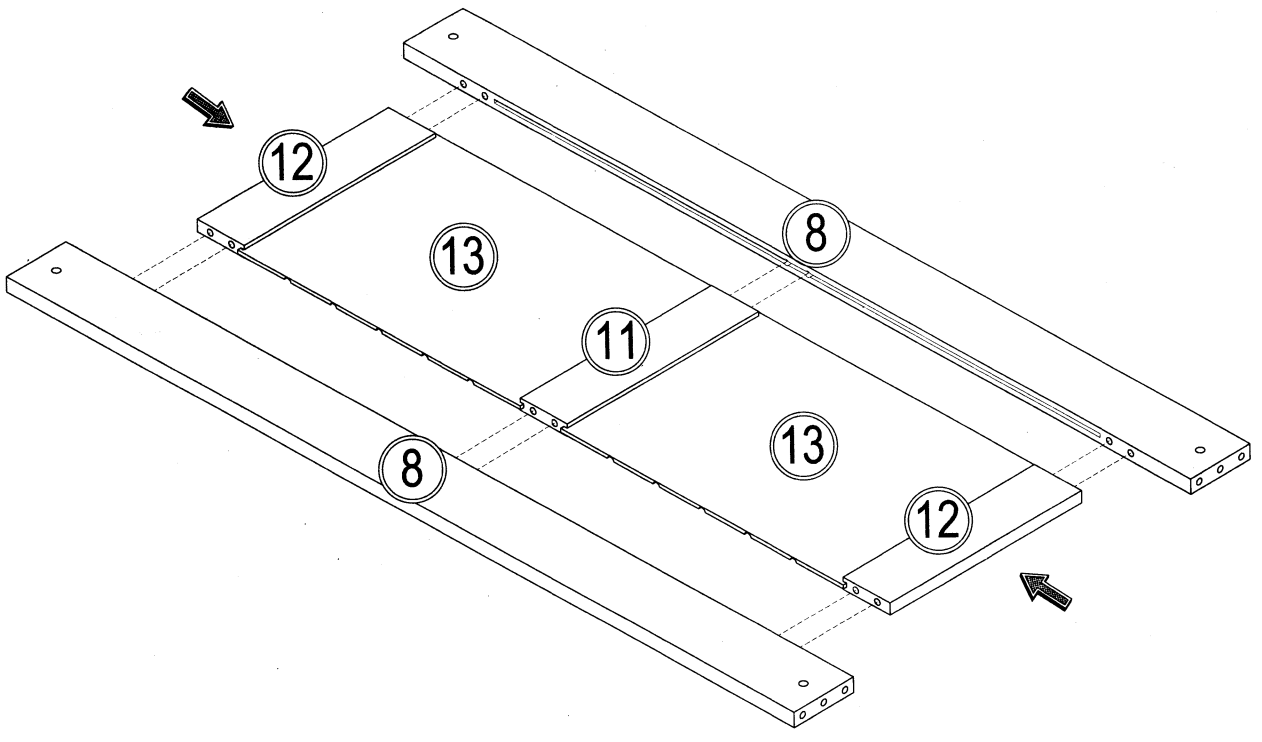
|   |   |       |    |
|---|---|-------|----|
| D |  | Φ8*30 | 38 |
|---|---|-------|----|

**STEP:3**

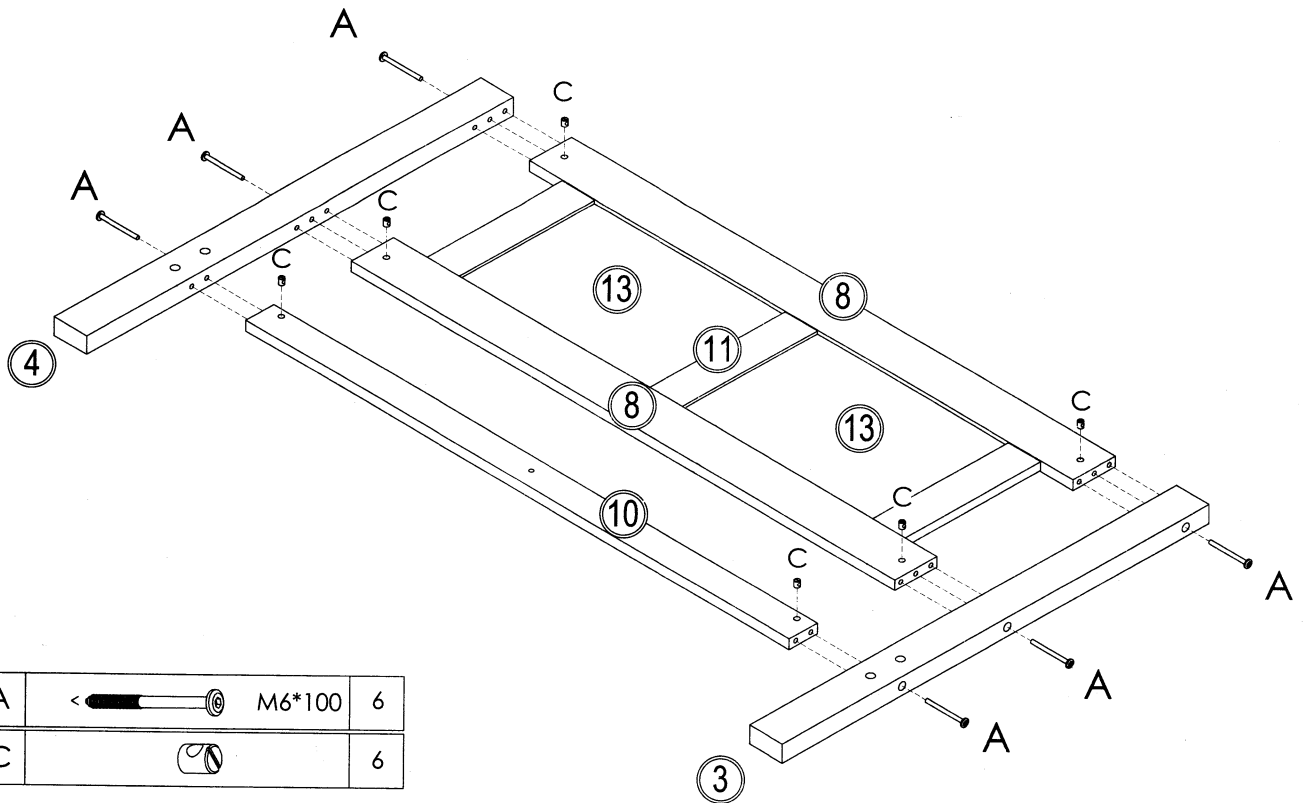




|   |   |        |   |
|---|---|--------|---|
| A |  | M6*100 | 4 |
| C |  |        | 4 |

**STEP:4**

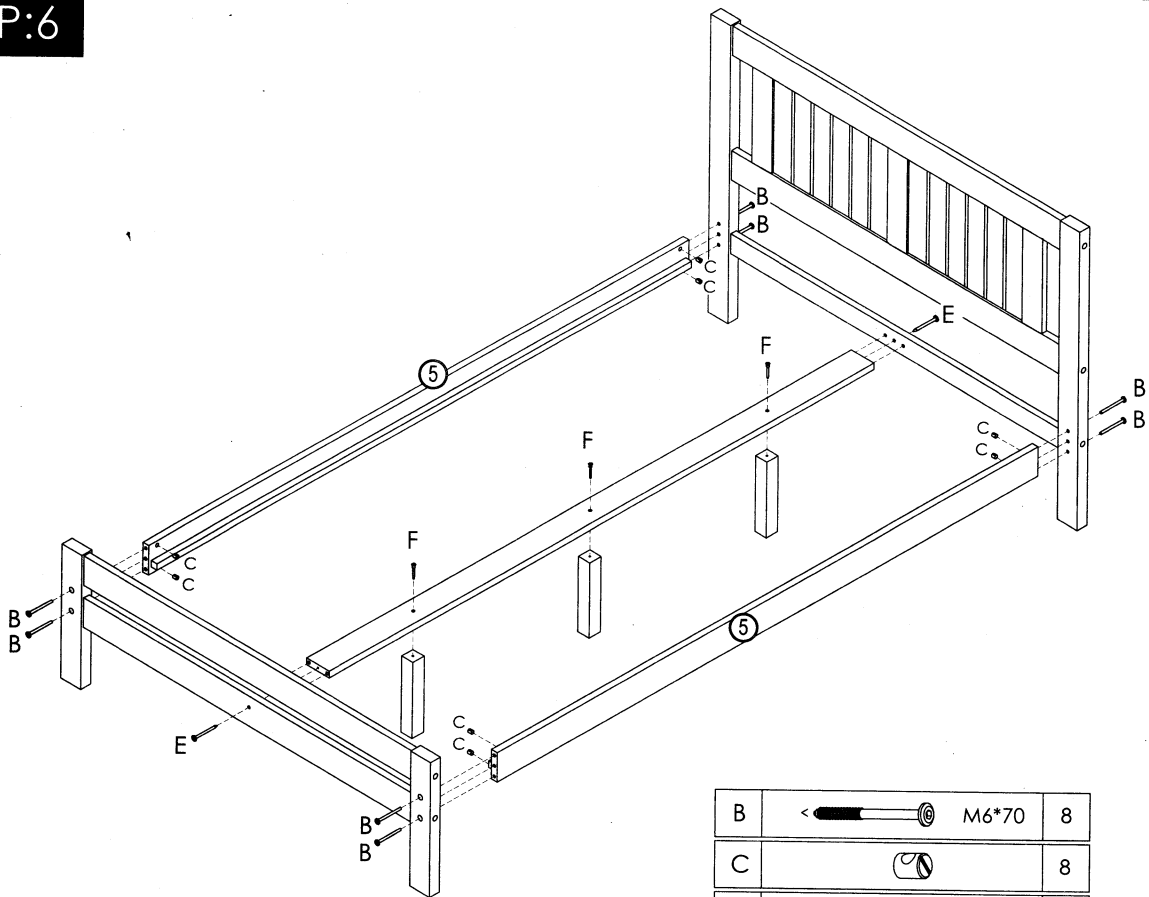




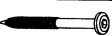

# STEP:5



|   |   |        |   |
|---|---|--------|---|
| A |  | M6*100 | 6 |
| C |  |        | 6 |

# STEP:6



|   |   |       |   |
|---|---|-------|---|
| B |  | M6*70 | 8 |
| C |  |       | 8 |
| E |  | Φ6*70 | 2 |
| F |  | Φ7*50 | 3 |

