






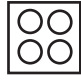

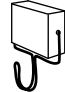
DESK W/ MAG BULL BOARD & SHELVES



ASSEMBLY INSTRUCTIONS

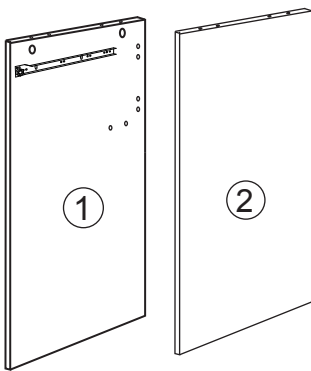
We have designed our furniture with you, the customer in mind. Our clear, easy to follow, step by step instructions will guide you through the project from start to finish. Feel confident that this will be a fun and rewarding project. The final product will be a quality piece of furniture that will go together smoothly and give years of enjoyment.

Hardware List


A	B	C	D	E	F	G	H
							
Cambolt (20pcs)	Self Tapping Cambolt (15pcs)	Camlock (35pcs)	dowel (24pcs)	Metal Pin (4pcs)	Sticker (35pcs)	Magnetic Ball (6pcs)	Magnetic Key Holder (1pc)

Panel List

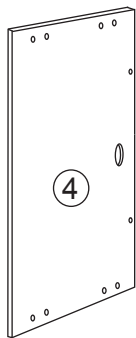
The first part



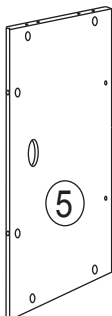
Side Panel(2pcs)
Left ① Right ②



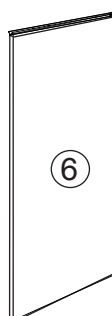
Support panel (1pcs)



Desktop panel (1pcs)




Back panel (1pcs)

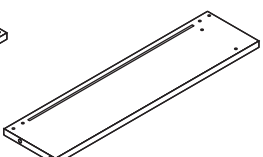


Drawer panel (1pcs)

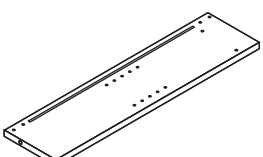
The second part



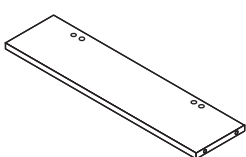
⑦
Top left panel (1pcs)



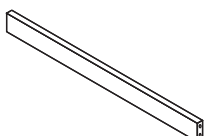
⑧
Top middle panel (1pcs)




⑨
Top right panel (1pcs)




⑩
Top long shelf (1pcs)



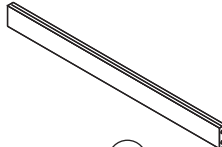
⑪
Top connection long board (1pcs)



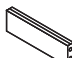
⑫
Top short shelf (1pcs)



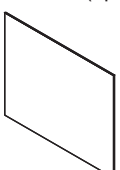
⑬
Top connection short board (1pcs)




⑭
Support long board (1pcs)



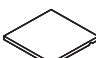
⑮
Support short board (1pcs)



⑯
Magnetic back panel (1pcs)

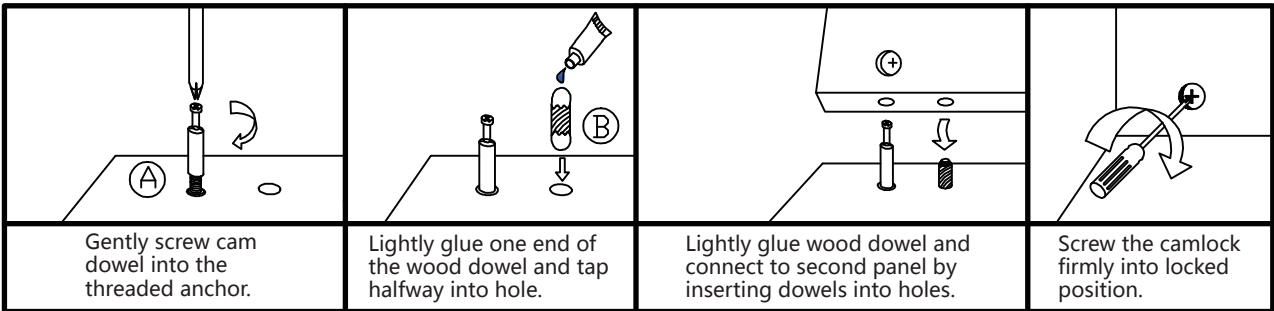


⑰
Back panel (1pcs)

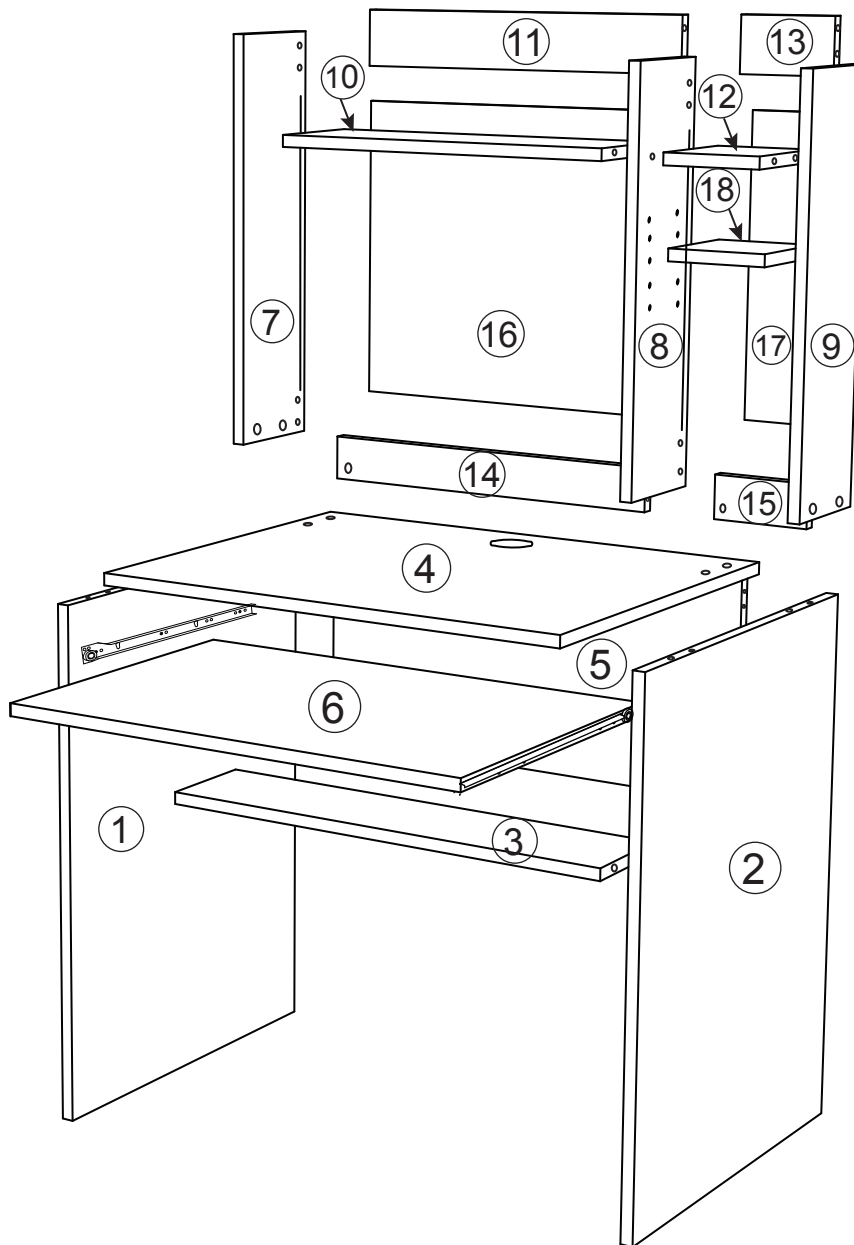


⑱
Movable panel (1pcs)

Assembling the unit with camlocks and wood dowels.



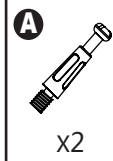
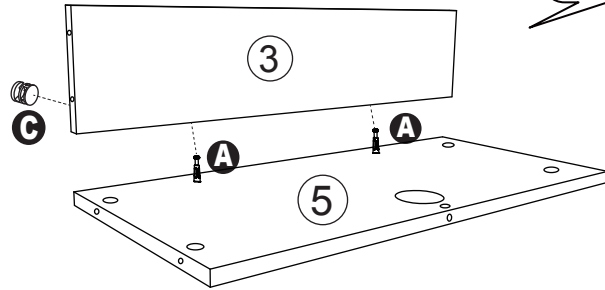
Hardware List



Step 1

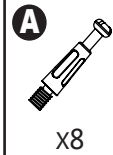
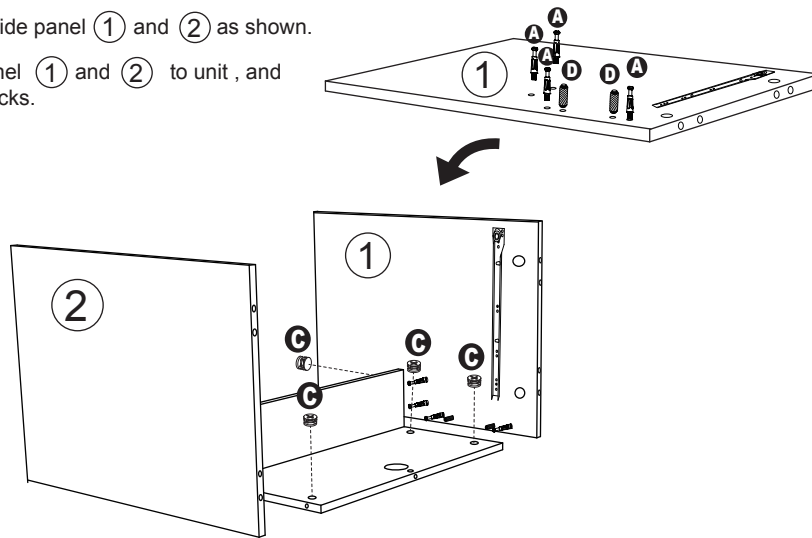
The first part

Connect the Support panel (3) and back panel (5) as shown.



Step 2

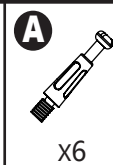
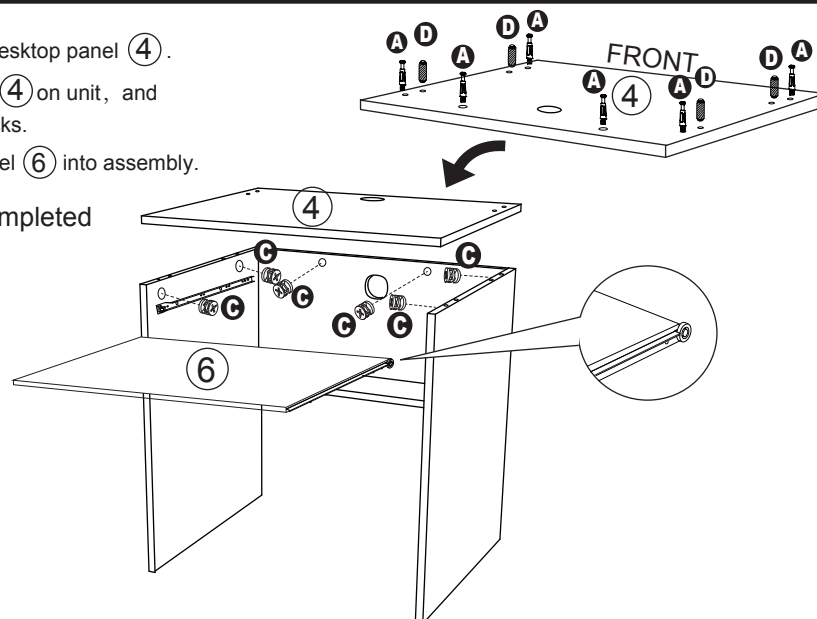
1. Attach hardware to side panel (1) and (2) as shown.
2. Connect the side panel (1) and (2) to unit, and Gently tighten camlocks.



Step 3

1. Attach hardware to desktop panel (4).
2. Place desktop panel (4) on unit, and gently tighten camlocks.
3. Slide the drawer panel (6) into assembly.

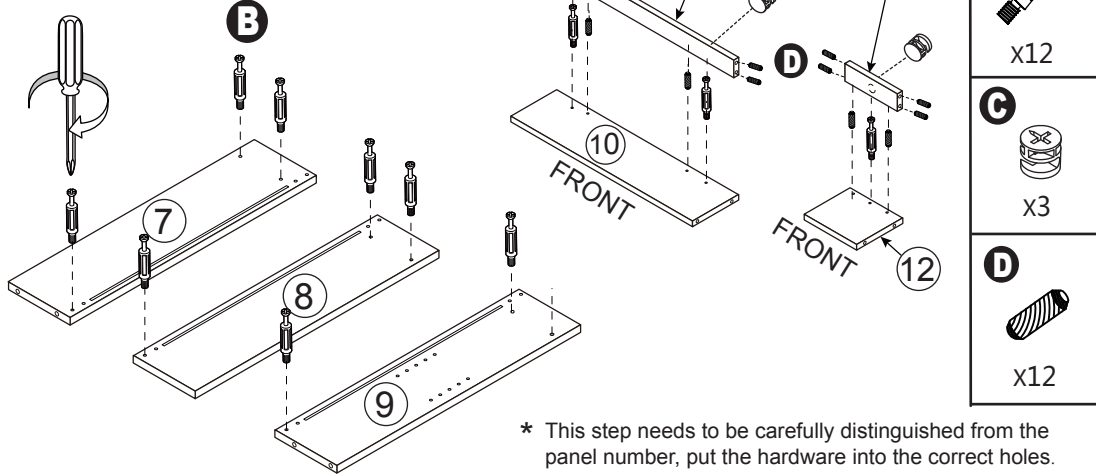
The first part is completed



Step 4

The second part

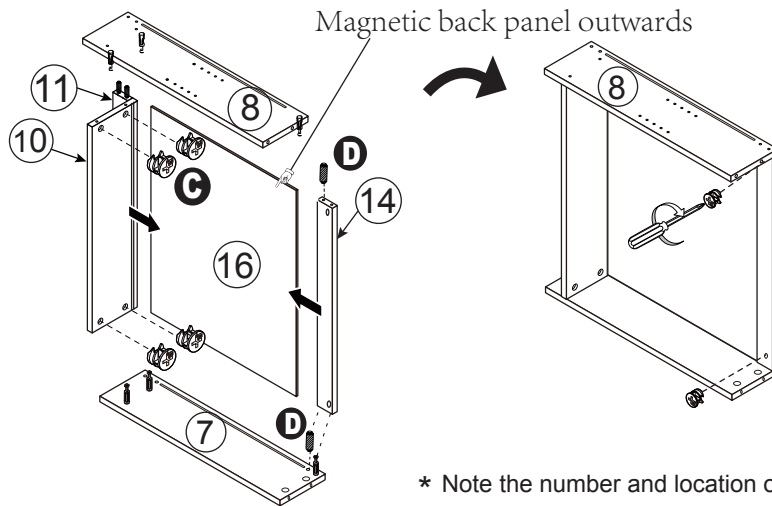
1. Attach hardware to panels as shown.
2. Assembly the panels as shown, and Gently tighten camlocks.



* This step needs to be carefully distinguished from the panel number, put the hardware into the correct holes.

Step 5

1. Assembly the panels as shown, and Gently tighten camlocks.

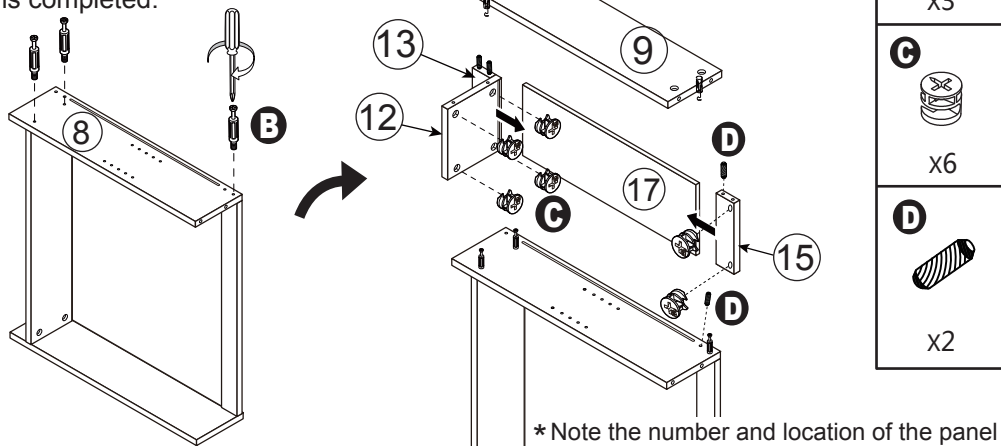


* Note the number and location of the panel

Step 6

1. Insert Cambolt **B** into Top middle panel **8**.
2. Assembly the panels as shown, and Gently tighten camlocks.

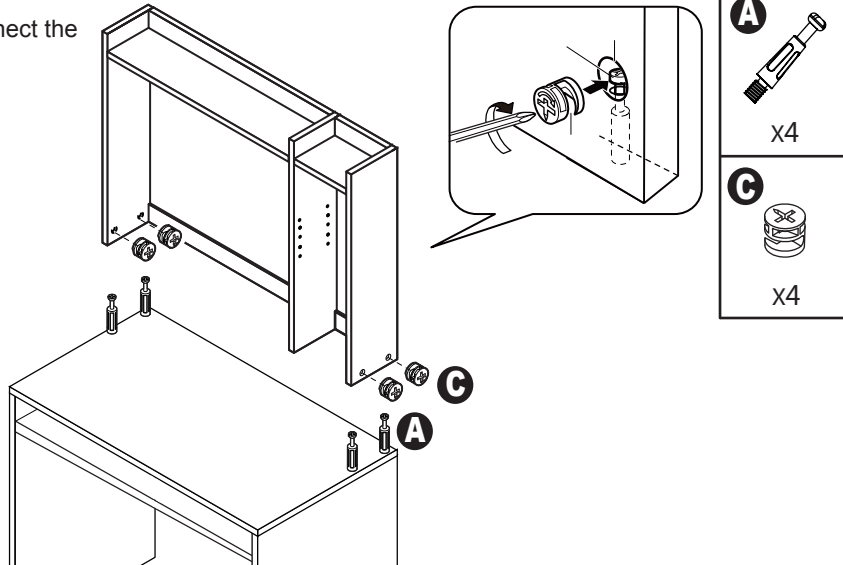
The second part is completed.



* Note the number and location of the panel

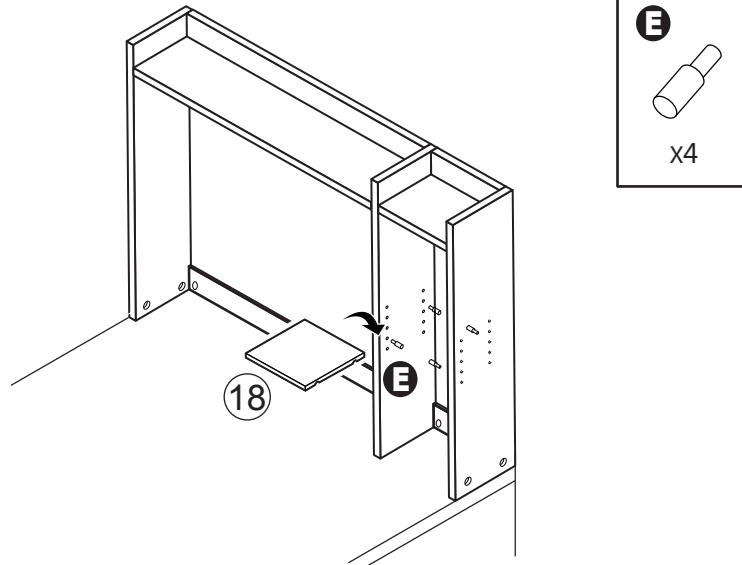
Step 7

Attach hardware to unit, and connect the two parts, Gently tighten camlocks.



Step 8

1. Push metal pins **E** into holes on unit as shown.
2. Place panel **(18)** on metal pins.



Step 9

1. Attach stickers **F** to exposed camlock holes.
2. Attach the Magnetic Ball **G** and Magnetic Key Holder **H** to Magnetic board as shown.

Finish and enjoy!

