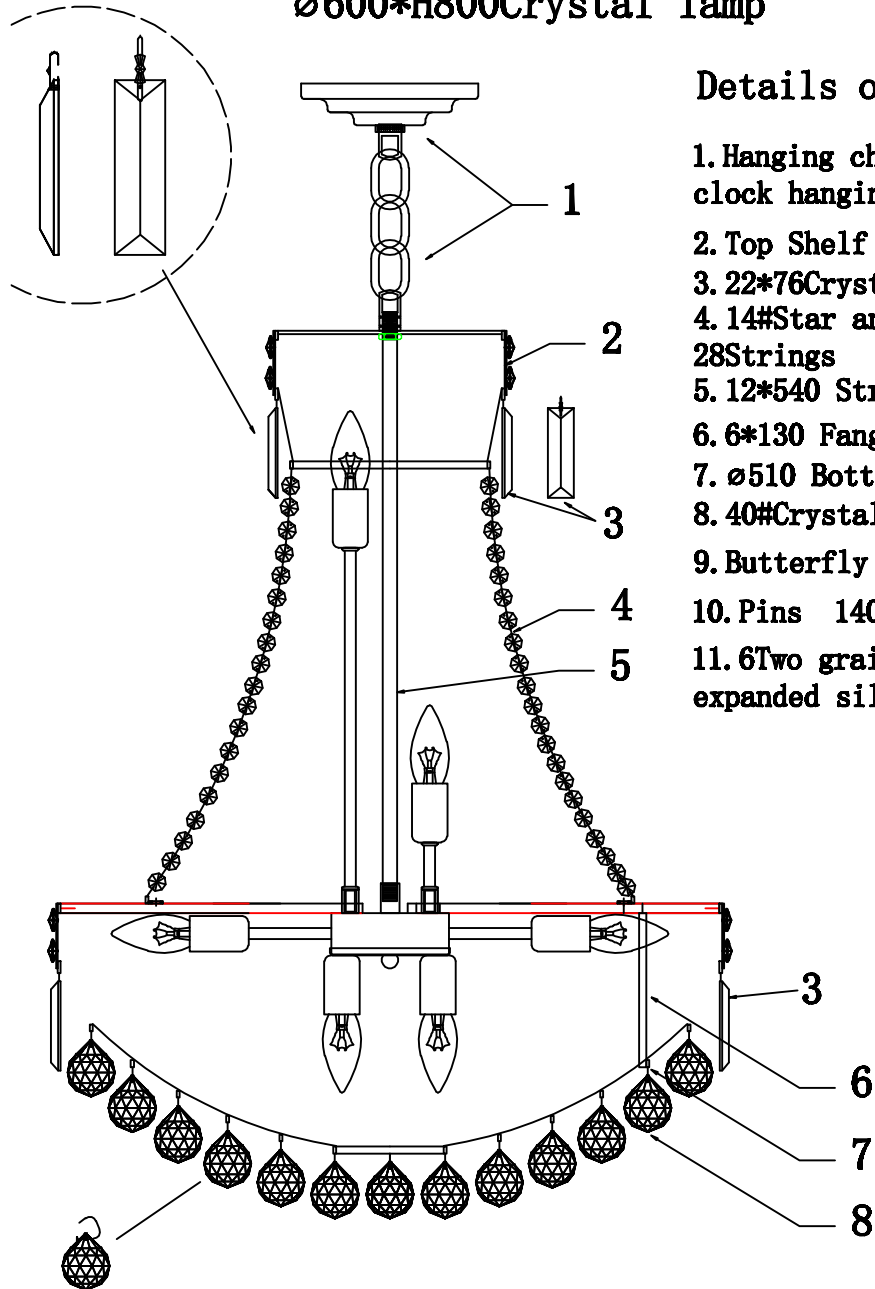


ø600*H800Crystal lamp



Details of accessories

1. Hanging chain hanging clock hanging plate 1 set
2. Top Shelf 1PCS
3. 22*76Crystal Strip 94pcs
4. 14#Star anise beads*22Beads 28Strings
5. 12*540 Straight tube 1PCS
6. 6*130 Fang Zhi 4PCS
7. ø510 Bottom iron frame 1PCS
8. 40#Crystal Ball 127PCS
9. Butterfly Buckle 120PCS
10. Pins 140PCS
11. 6Two grain strips of expanded silk 1PCS

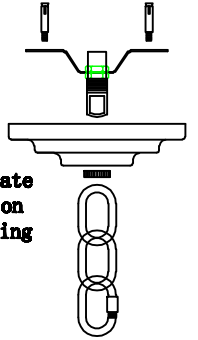
Shelf installation procedure

4. Put the top shelf on and lock it with a bucket

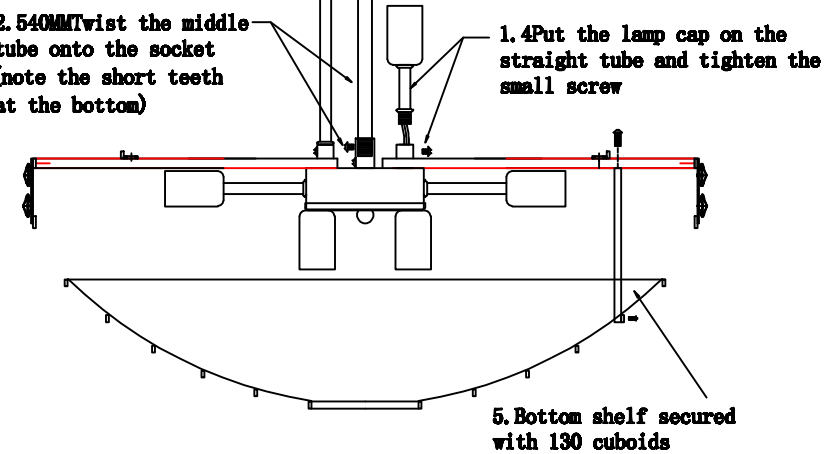
3. First twist a nut, twist it all the way to the end

2. 540MM Twist the middle tube onto the socket (note the short teeth at the bottom)

6. Hanging Plate with expansion screws, hanging lamp body



1. Put the lamp cap on the straight tube and tighten the small screw



5. Bottom shelf secured with 130 cuboids