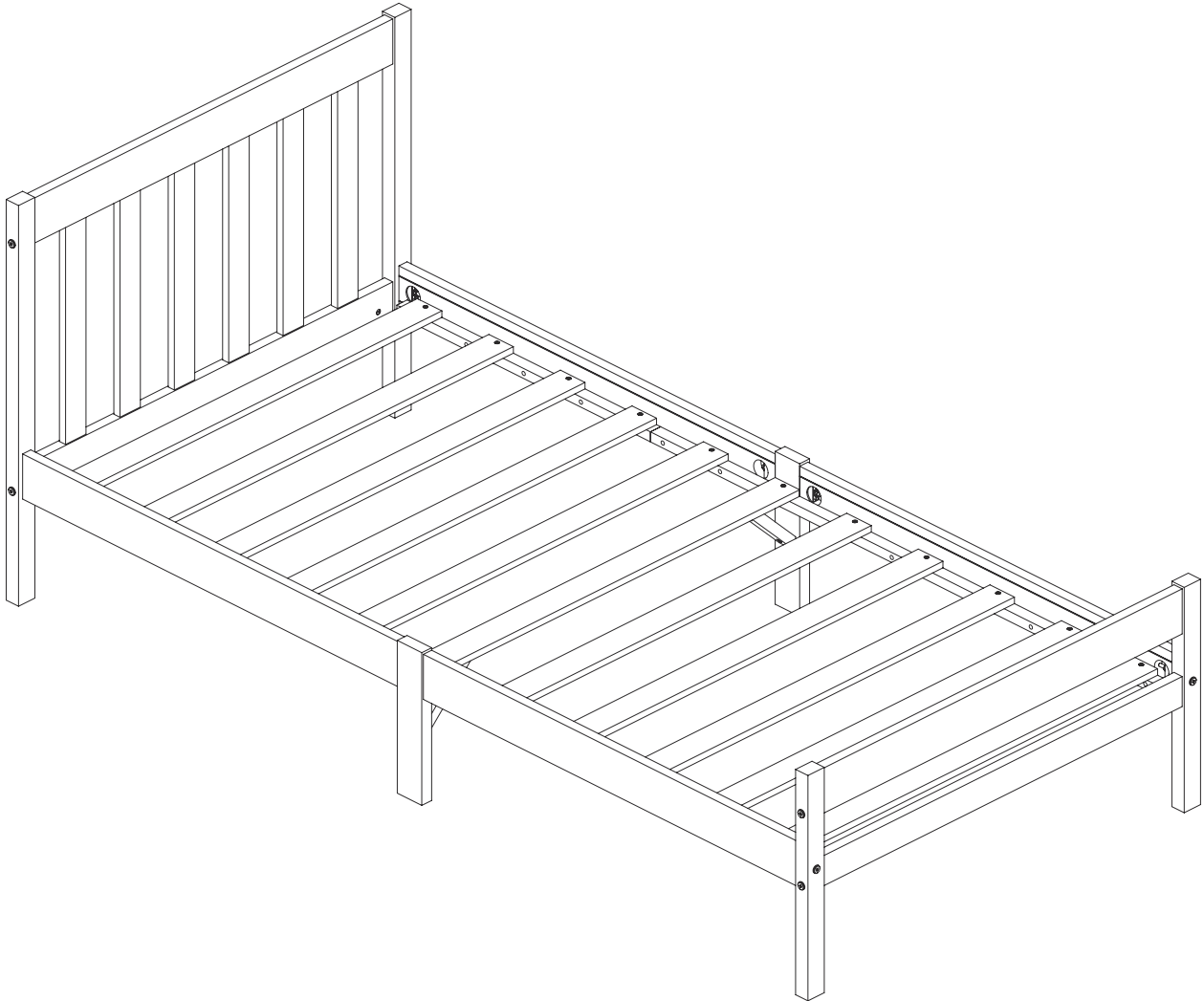

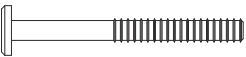


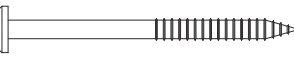







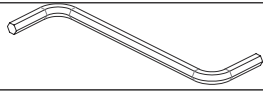



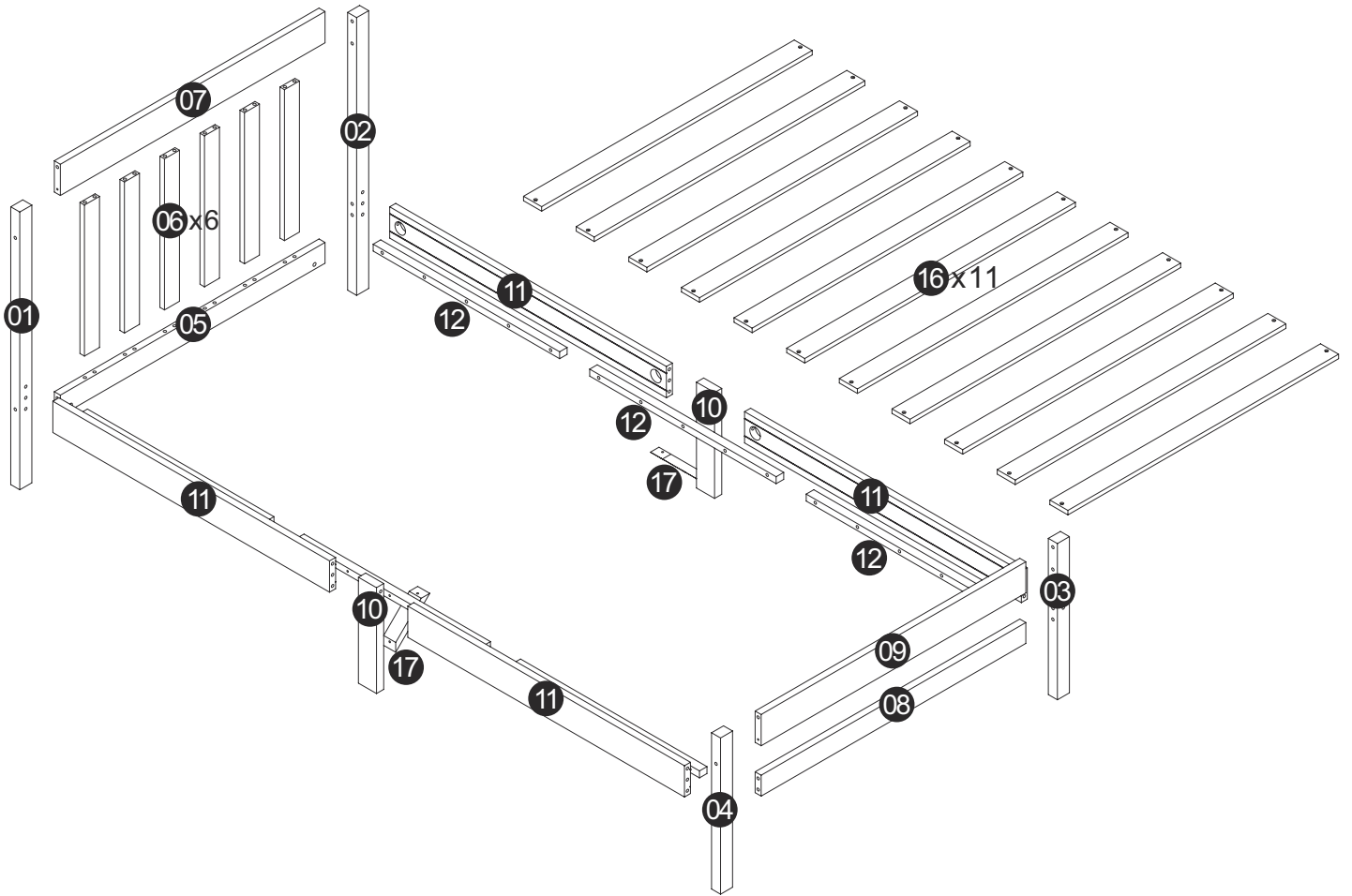
# Single Bed



A	  M6x80	8
B		4
C	  $\Phi 6 \times 90$	4
D	 $\Phi 8 \times 30$	48
E	 M6x140	2

F	  	8
G	  $\Phi 4 \times 30$	56
H		1
J		1

# PARTS LIST



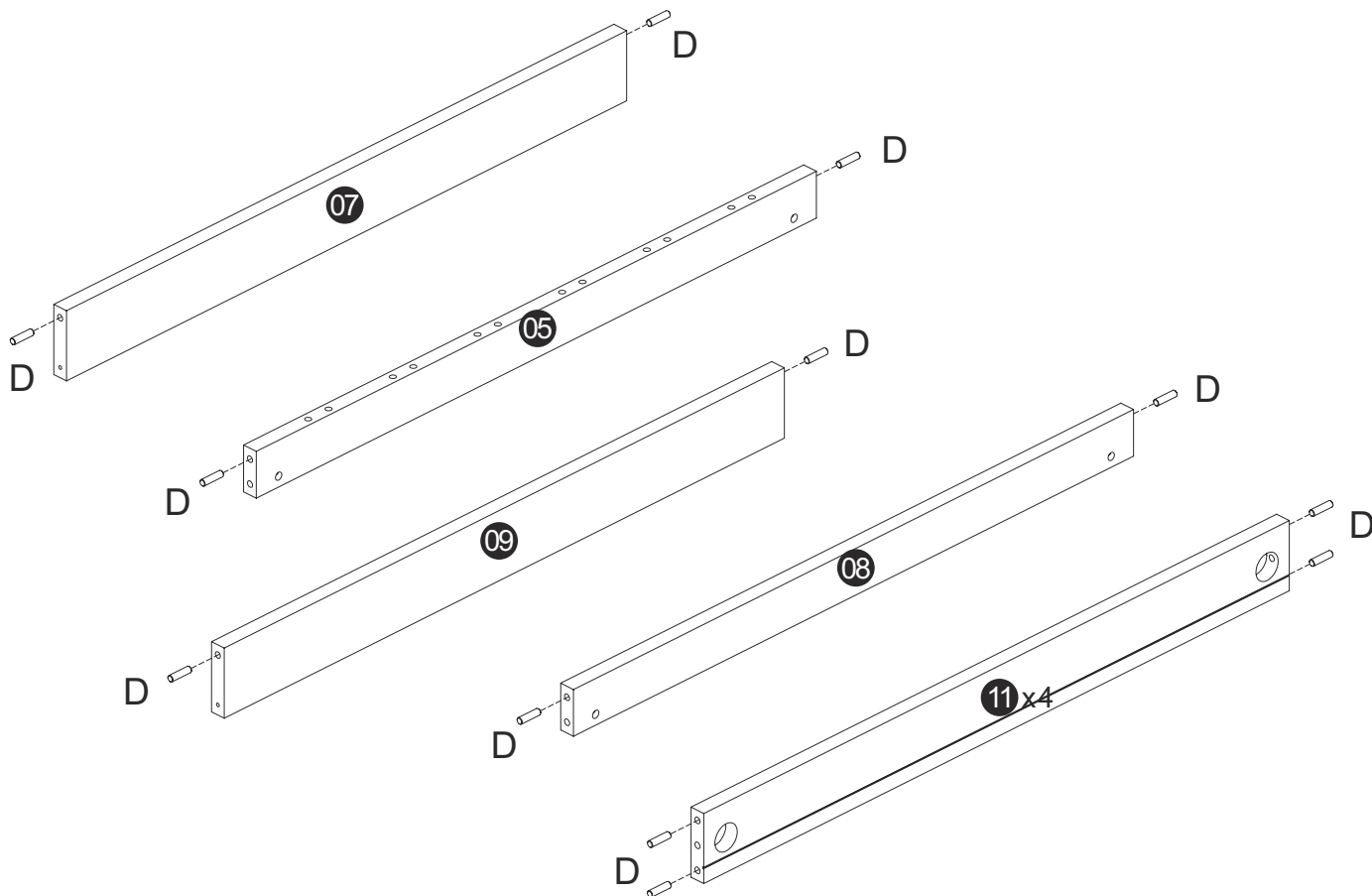
NO.	QTY	DESCRIPTION	NO.	QTY	DESCRIPTION
01	1	Bed leg	08	1	Lower cross-brace
02	1	Bed leg	09	1	Upper cross-brace
03	1	Bed leg	10	2	Side leg
04	1	Bed leg	11	4	Bed side
05	1	Lower cross-brace	12	6	Bedside support
06	10	Head support	16	22	Bed slat
07	1	Upper cross-brace	17	2	Side support

# STEP 1

D



24

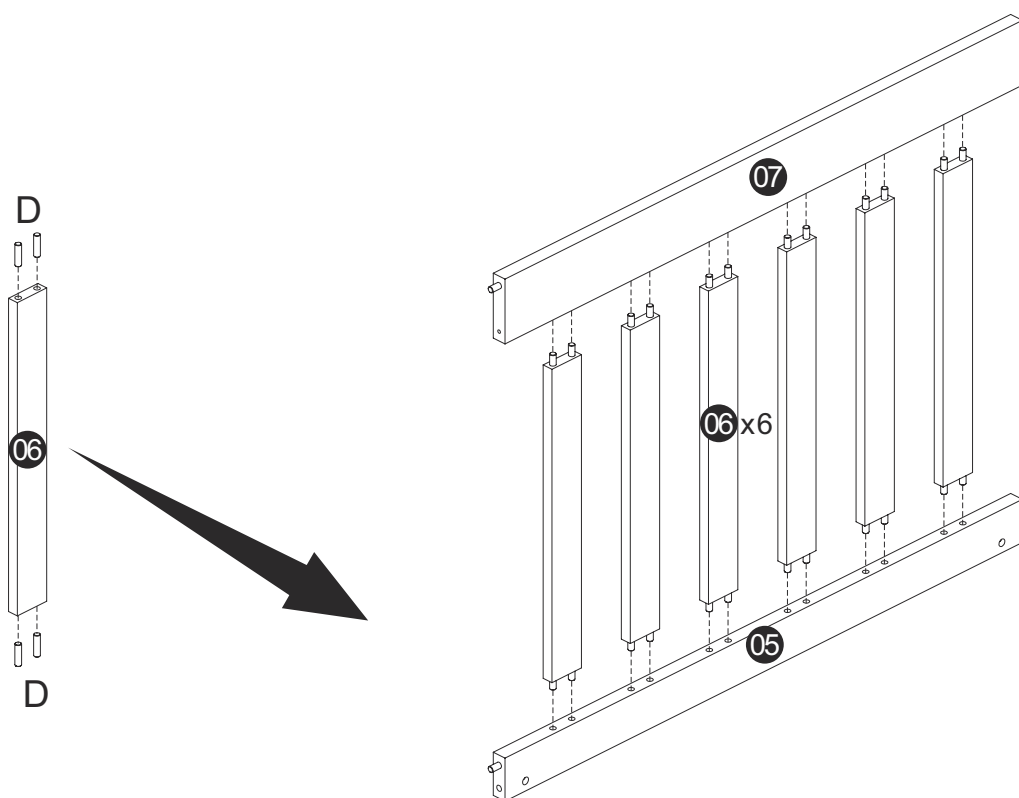


# STEP 2




D

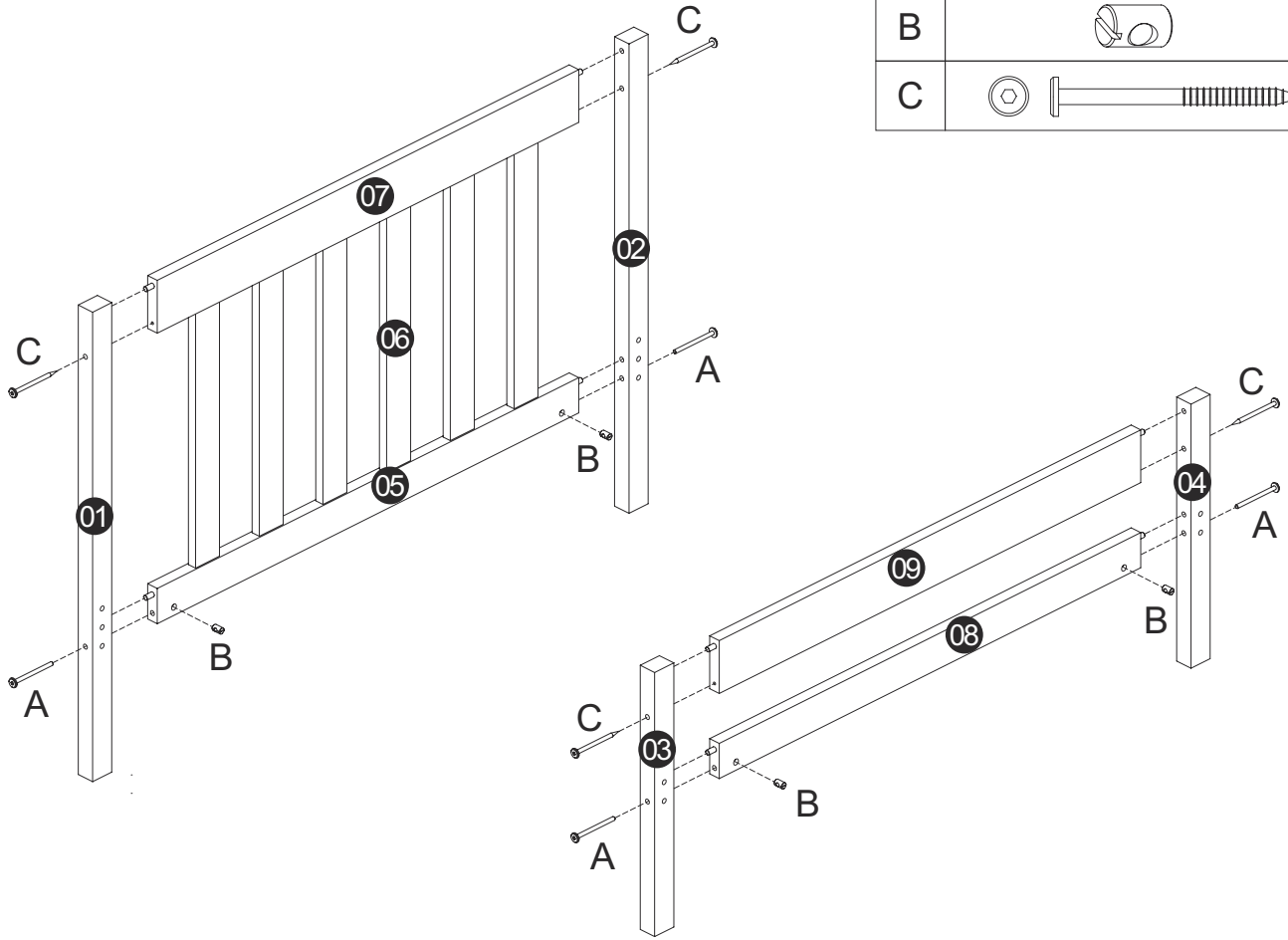


24






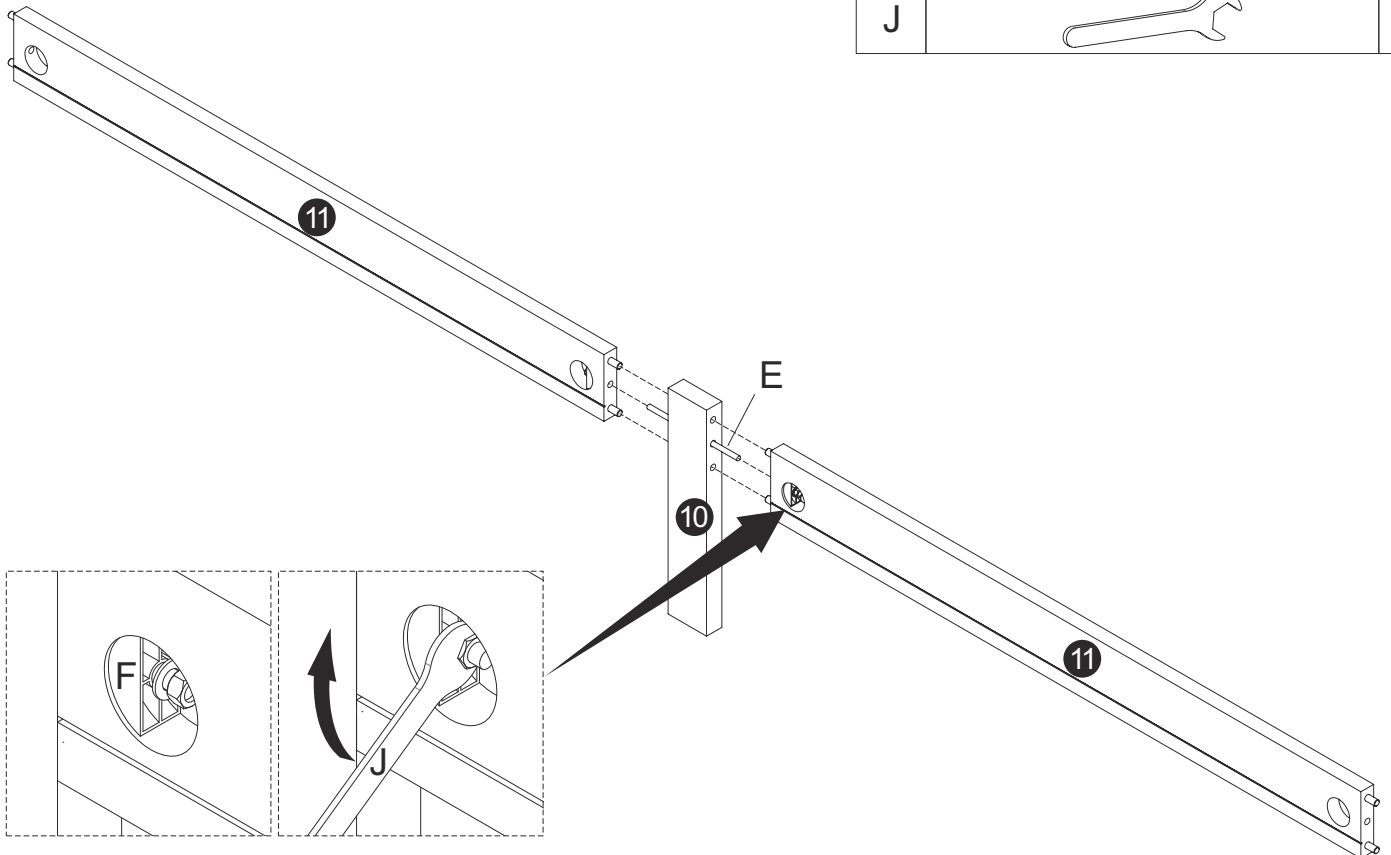
# STEP 3

A		4
B		4
C		4



# STEP 4 x2

E		2
F		4
J		1

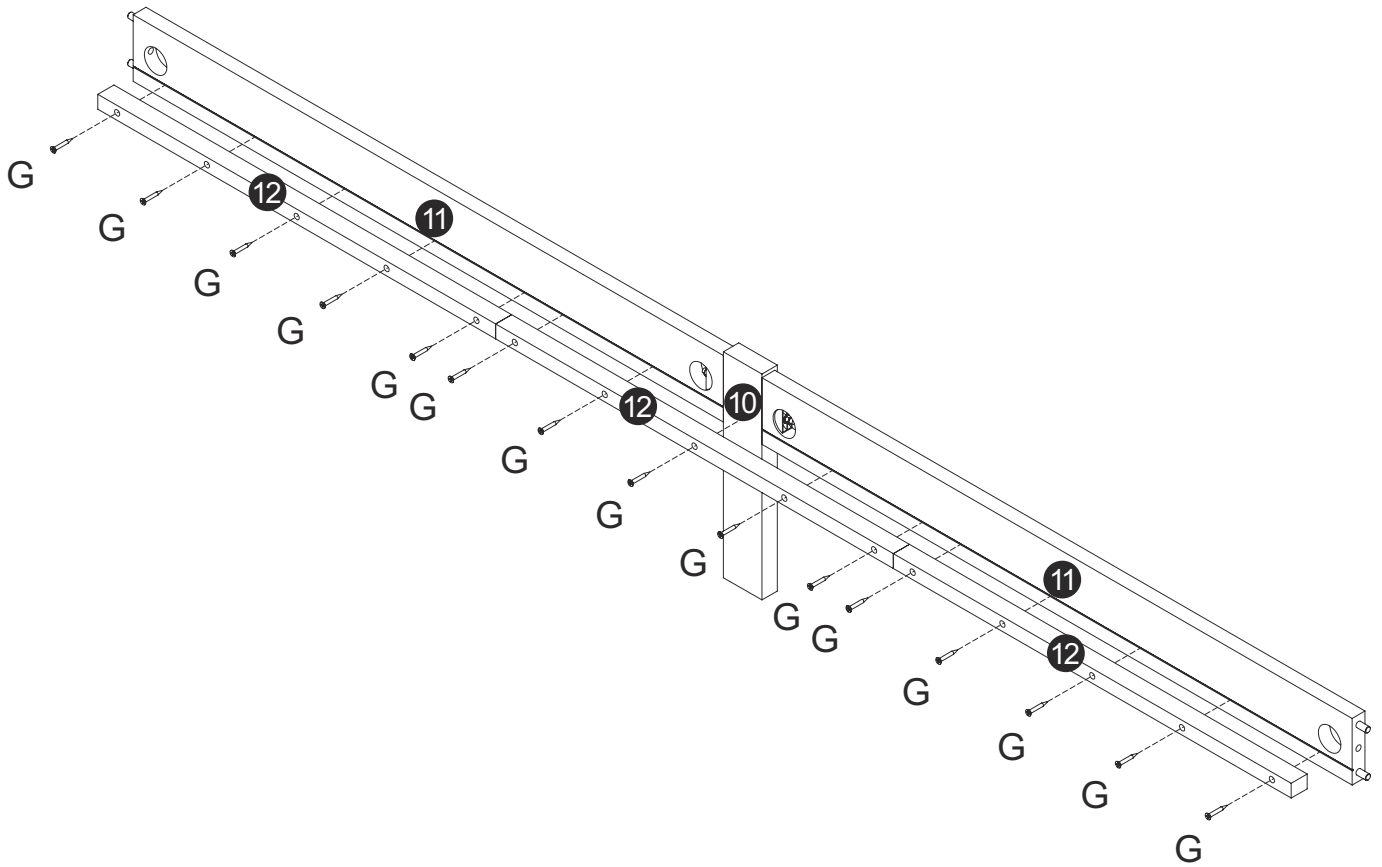


STEP 5 x2

G

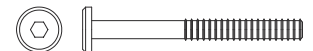


30



STEP 6

A



4

F

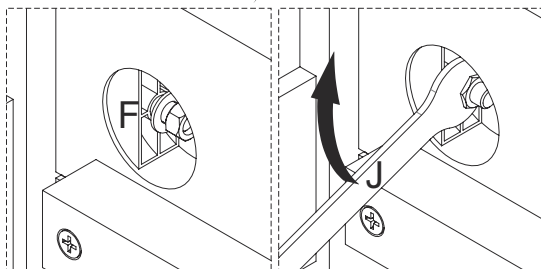
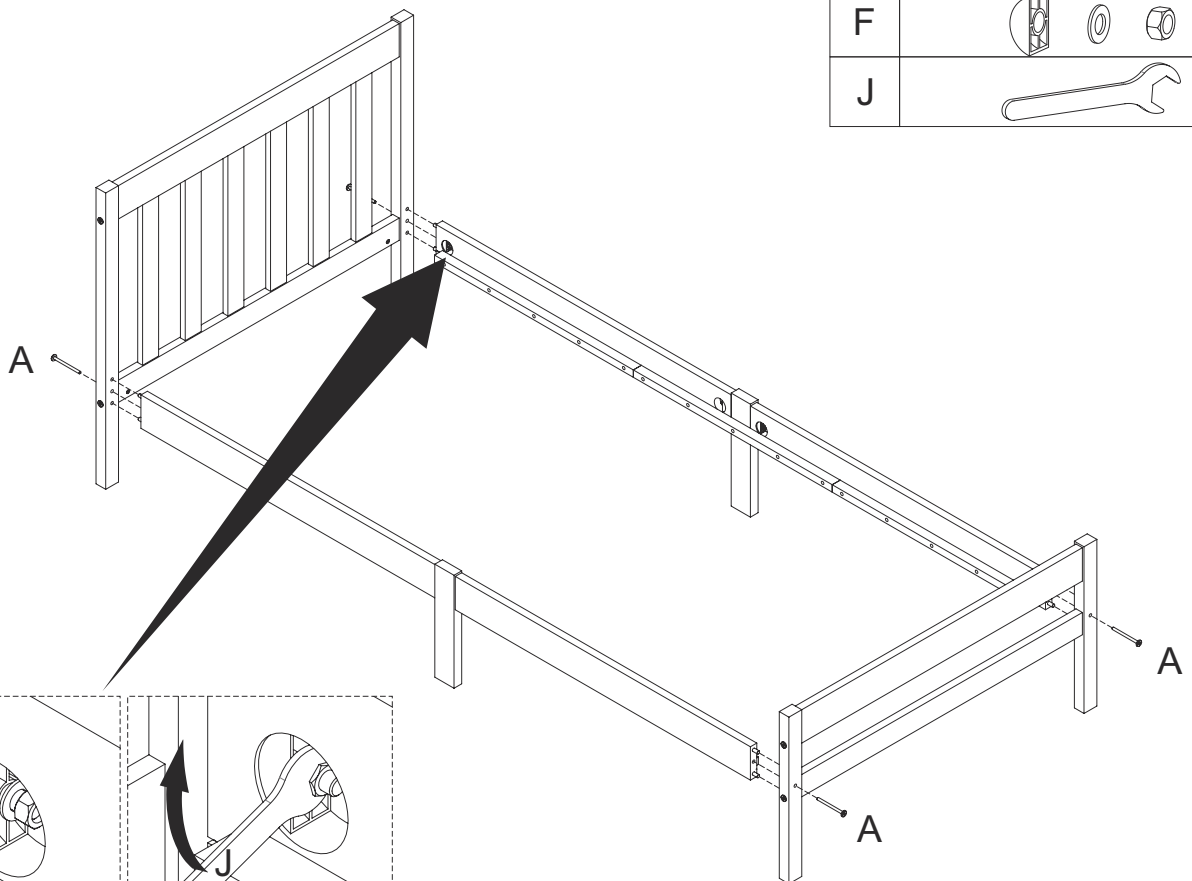


4

J



1

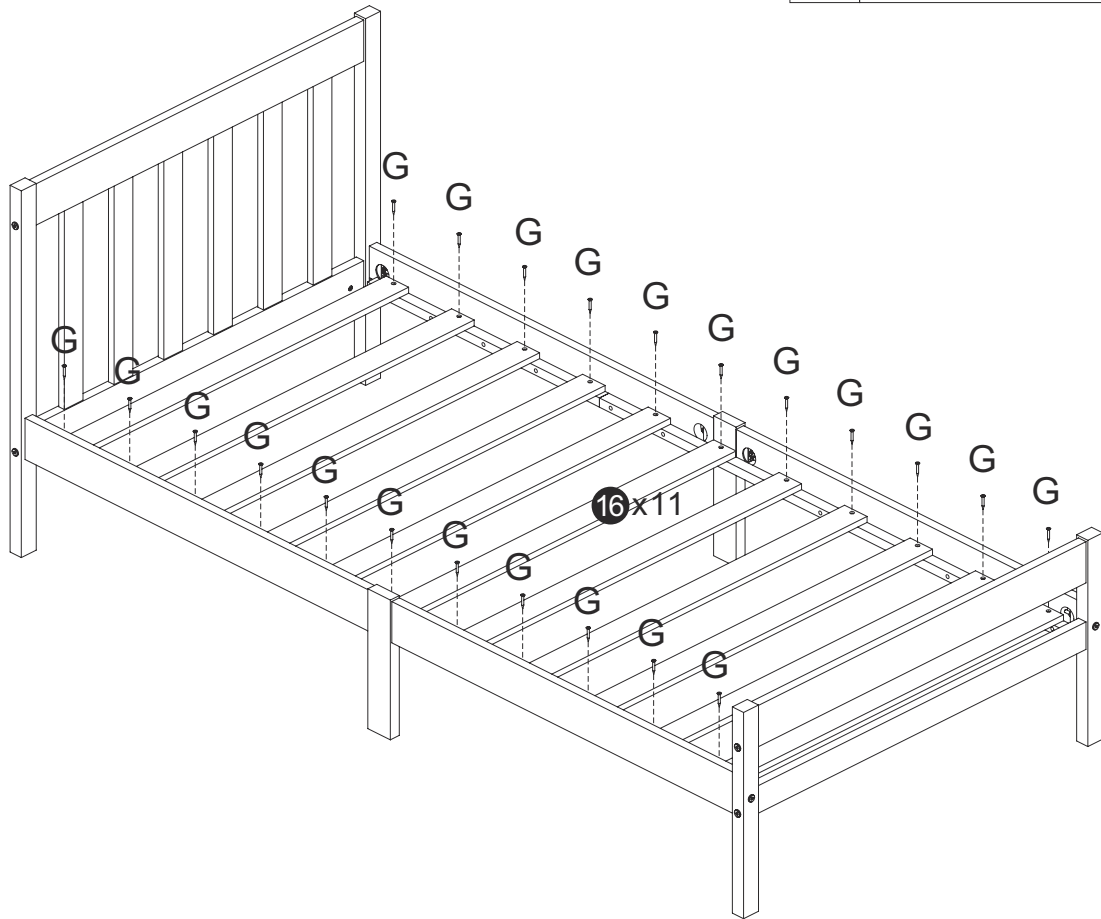


# STEP 7

G



22



# STEP 8

G



4

