

Nightstand

Assembly Instructions - Please keep for future reference

WF298056AAK / WF298056AAE



Dimensions

Width - 20.9inch

Depth - 15.7inch

Height - 27.6inch

Important – Please read these instructions fully before starting assembly



Safety and Care Advice

Important – Please read these instructions fully before starting assembly

- Check you have all the components and tools listed on the following pages.
- Remove all fittings from the plastic bags and separate them into their groups.
- Keep children and animals away from the work area, small parts could choke if swallowed.
- Make sure you have enough space to layout the parts before starting.

- During assembly do not stand or put weight on the product, this could cause damage.
- Assemble the item as close to its final position (in the same room) as possible.
- Assemble on a soft level surface to avoid damaging the unit or your floor.
- Parts of the assembly will be easier with 2 people.



- To reduce the likelihood of damaging your product please ensure that your power drill is set on a low torque setting.

Care and maintenance

- Only clean using a damp cloth and mild detergent, do not use bleach or abrasive cleaners.
- From time to time check that there are no loose screws on this unit.
- This product should not be discarded with household waste. Take to your local authority waste disposal centre.

Handy Hints

- Assemble all parts and bolts loosely during assembly, only once the product is complete should you fully tighten the bolts
- Regularly check and ensure That all bolts and fittings are tightend properly.

WARNING In order to help prevent overturning – please follow these instructions

To help prevent product toppling over please follow the below steps:-

Use the anti tip stap or wall fixing method provided (if applicable)
Do not allow children to climb or hang on the furniture
Do not open more than one drawer at a time
Do not place heavy items in the top drawers
Do not place heavy items on top of the furniture, unless the furniture has been designed for this purpose

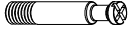


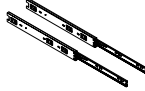


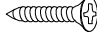
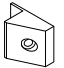

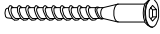

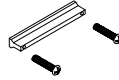
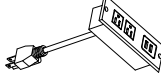


please note that only the anti tip strap is provided.

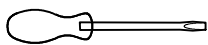
You will need to provide wall plugs and screws applicable for your wall type

Components - Fittings

Please check you have all the panels listed below

Note: The quantitie below are the correctet amount to complete the assembly. In some cases more fittings may be supplied than are required.

A  Male Camlock x 38	B  Female Camlock x 38	C  Dowel x 18
D  Drawer slider 12" X 2	E  3.5*14mm Screw x 24	F  4*30mm Screw x 8
G  3*17mm Screw x 6	H  Plasticwedge x 6	I  Ø20 Sticker x 20
J  6*50mm Screw x 6	K  Hex Key M4 x 1	L  Handle & Fixings x 2
M  Socket x1	N  Light Strip x 1	O  Led Snap x 3



Tools required



Phillips screwdriver
(medium & large)

Ruler - Use this ruler to help correctly identify the screws

0 5 10 15 20 25 30 35 40 45 50 55 60 65 70 75 80 85 90 95 100 105 110 115 120 125 130 135 140 145 150 155 160 165 170



The screws length is measured from the head to the point (30mm screw shown).

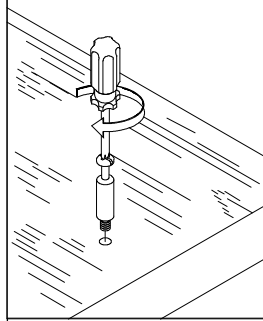
Using Camlocks

Step 1

Connect the male camlock as directed in the assembly instructions using a screwdriver.

1

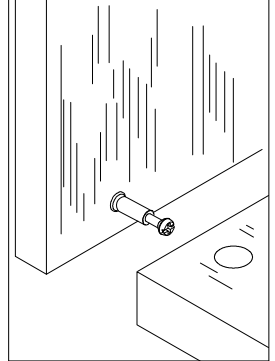
DO NOT OVER TIGHTEN.
NE PAS SERRER EXCESSIVEMENT.



Step 2

Push the male camlock into the entry hole.

2

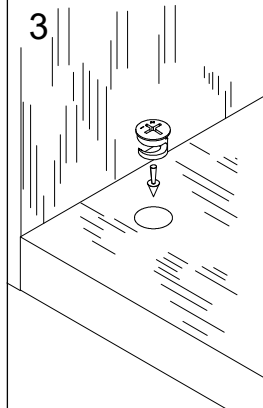


Step 3

Insert the female camlock as shown in the instruction.

Note: ensure that the arrow on the top of the camlock points towards the entry hole for the male camlock.

3



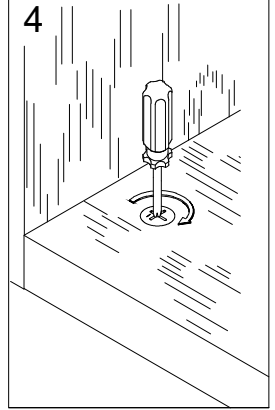
Step 4

Turn the female camlock clockwise with a screwdriver.

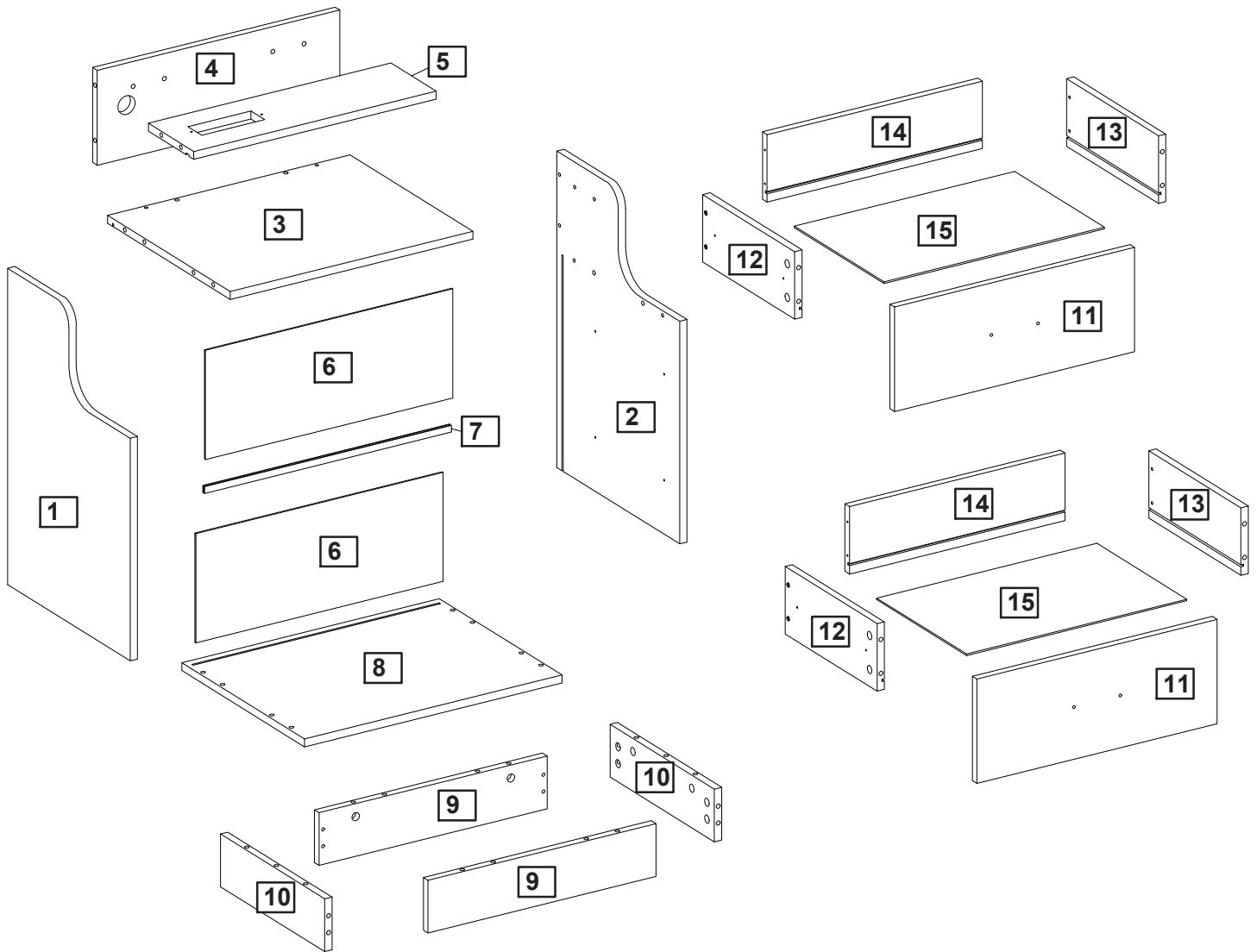
You should feel a click when the camlock is locked in place.

The joint is now secure.

4

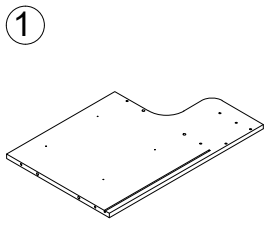
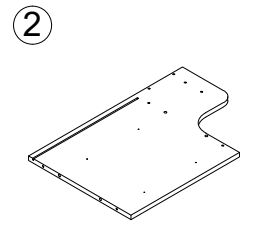
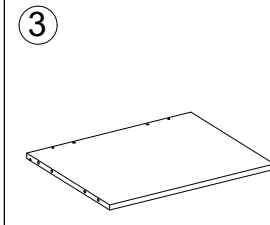
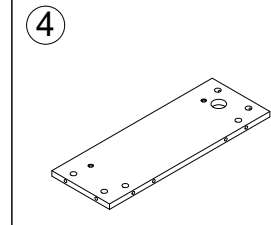
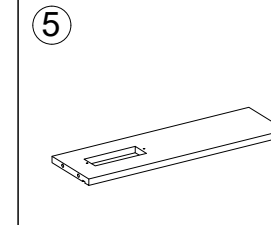
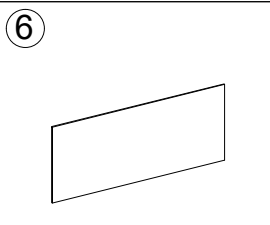
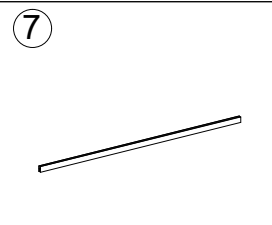
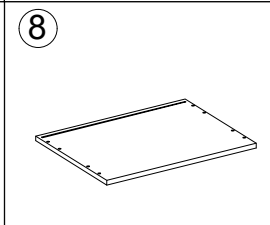
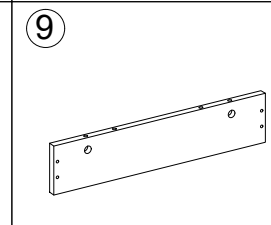
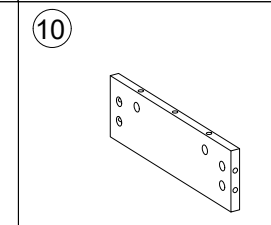
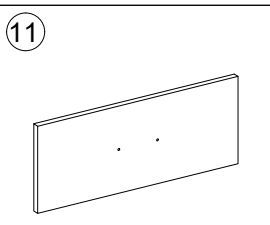
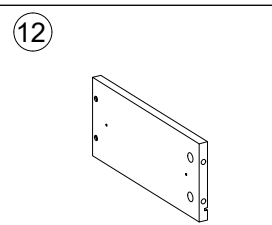
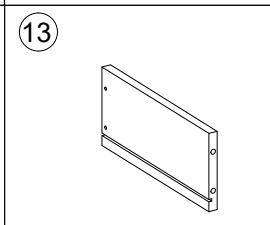
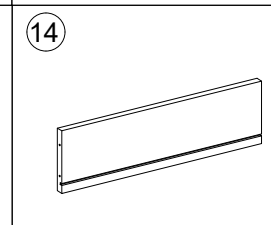
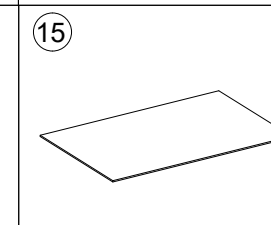


Assembly Instructions



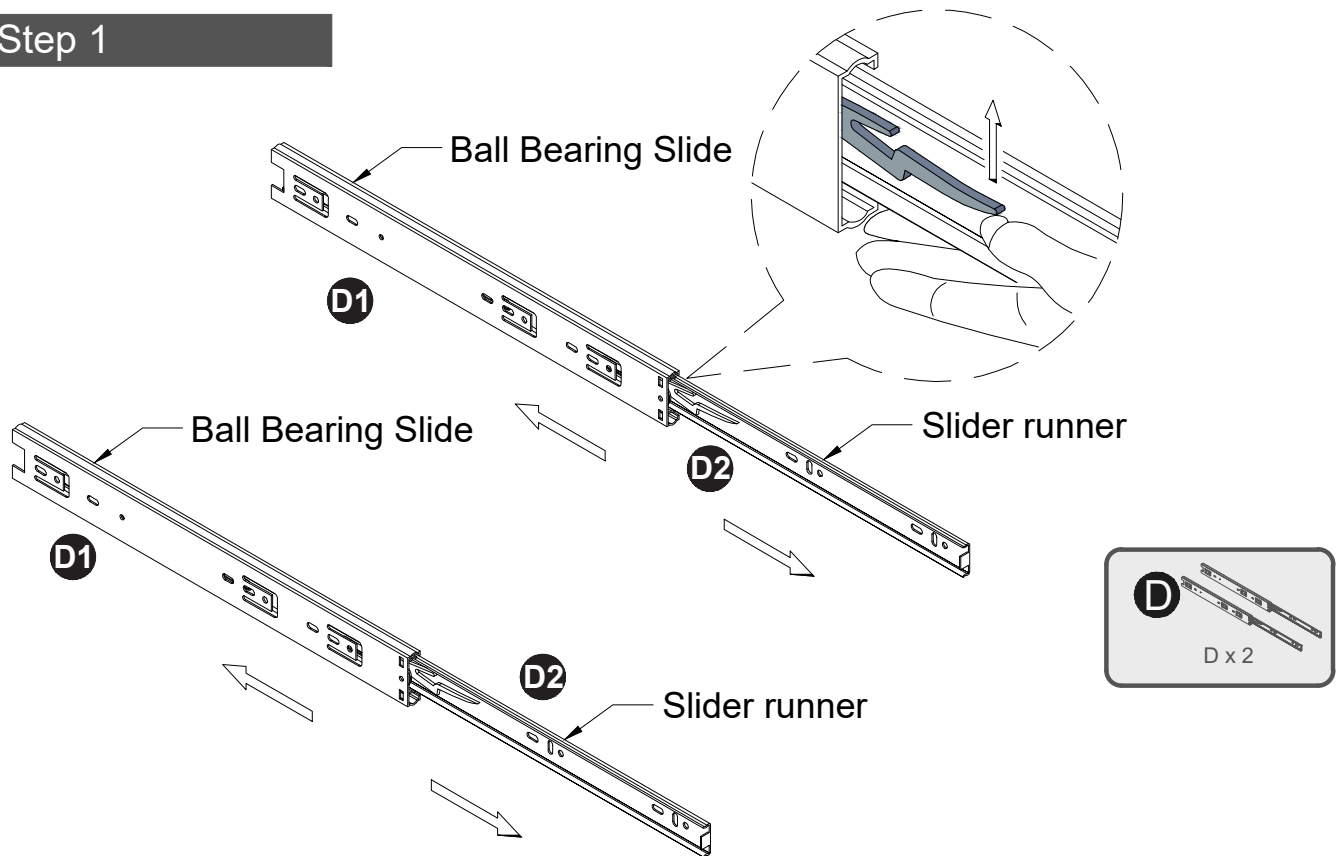
Part List

Panels list: WF298056AAK / WF298056AAE

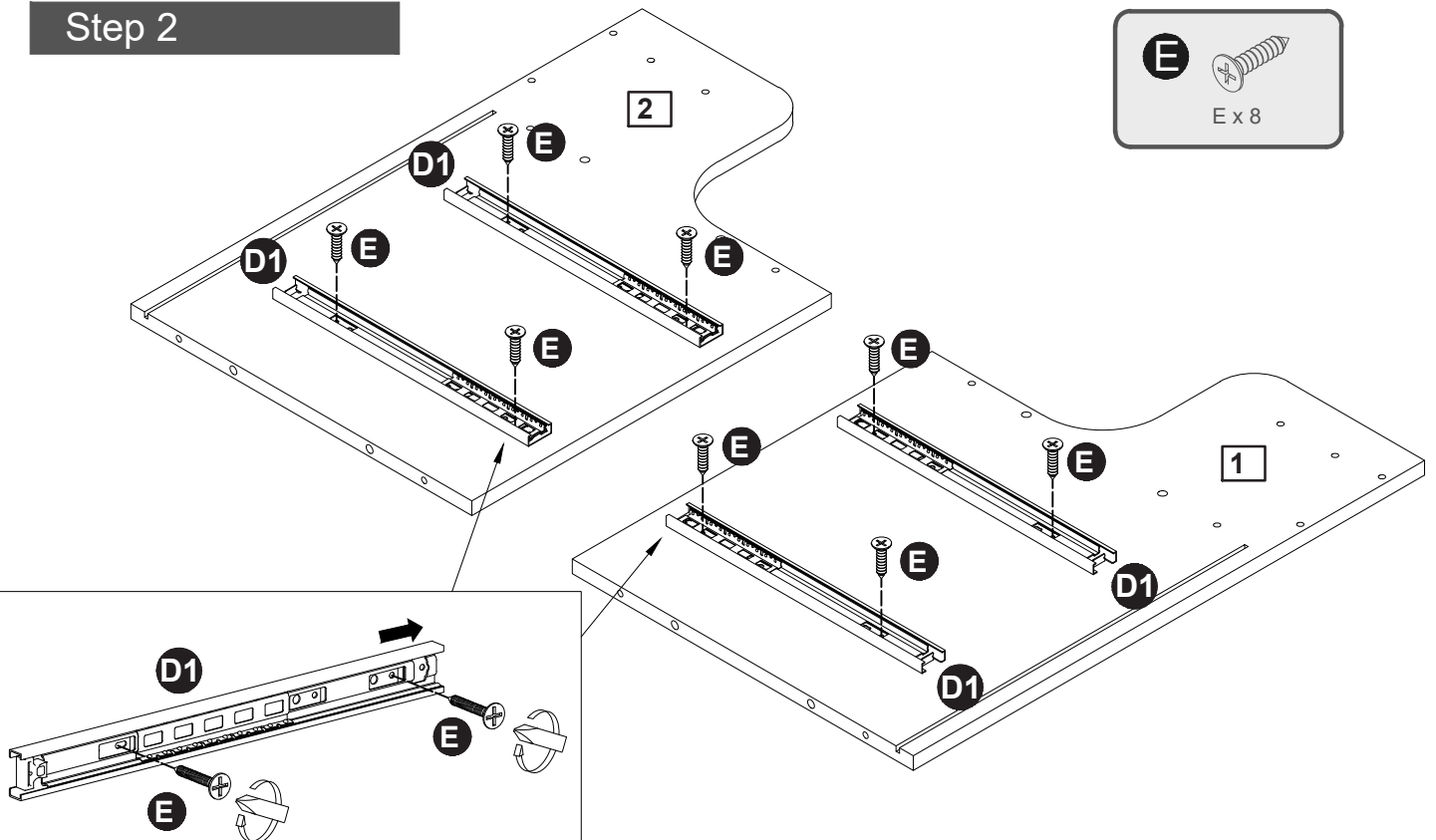
 <p>1 PC</p>	 <p>1 PC</p>	 <p>1 PC</p>	 <p>1 PC</p>	 <p>1 PC</p>
 <p>2 PCS</p>	 <p>1 PC</p>	 <p>1 PC</p>	 <p>2 PCS</p>	 <p>2 PCS</p>
 <p>2 PCS</p>	 <p>2 PCS</p>	 <p>2 PCS</p>	 <p>2 PCS</p>	 <p>2 PCS</p>

Assembly Instructions

Step 1

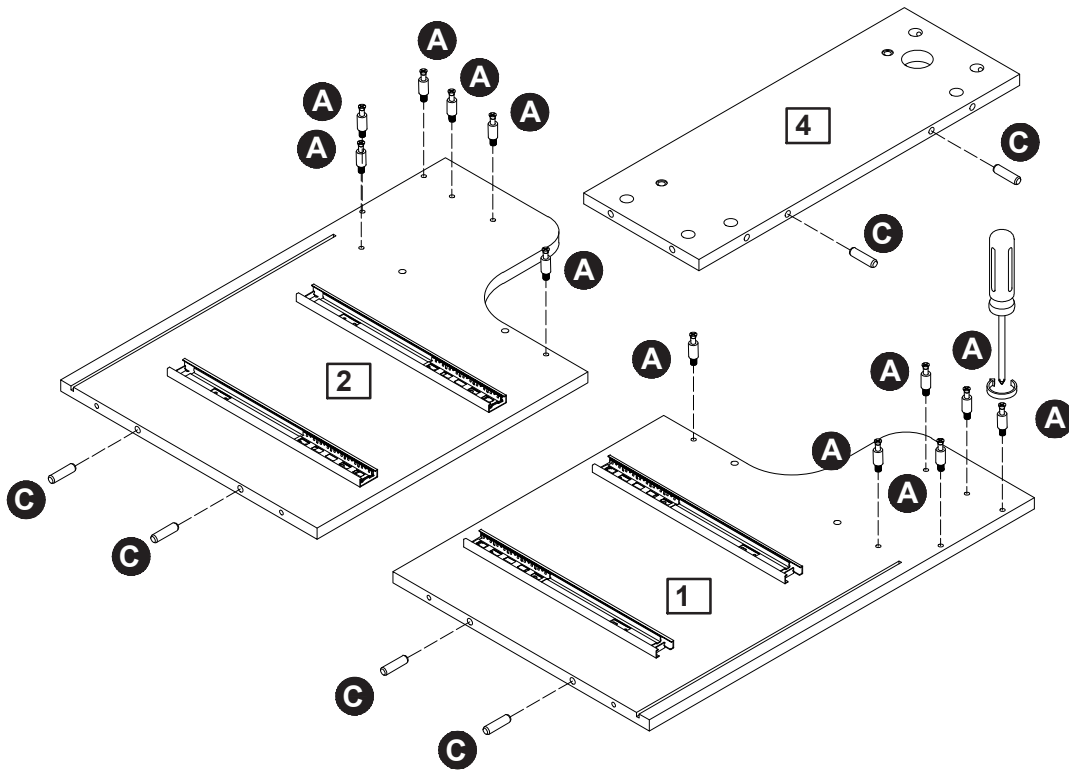



Step 2



Assembly Instructions

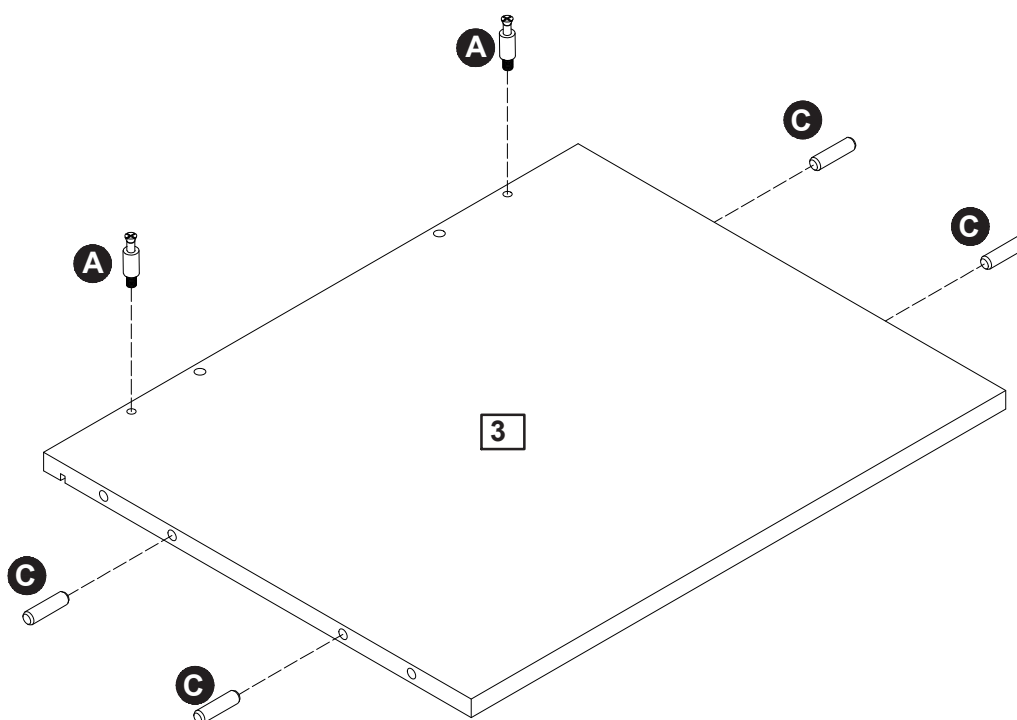
Step 3




A 
A x 12

C 
C x 6

Step 4

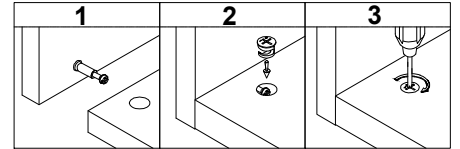
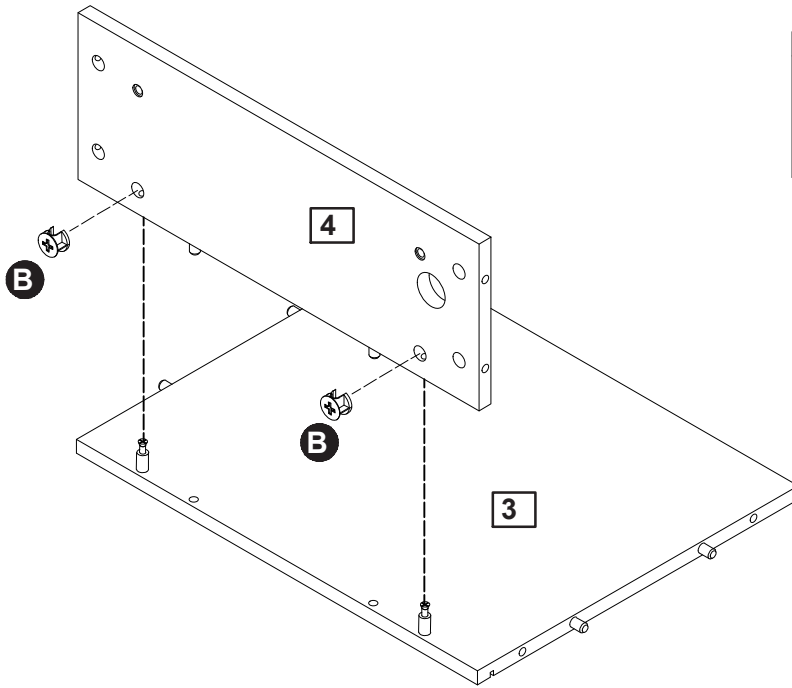


A 
A x 2

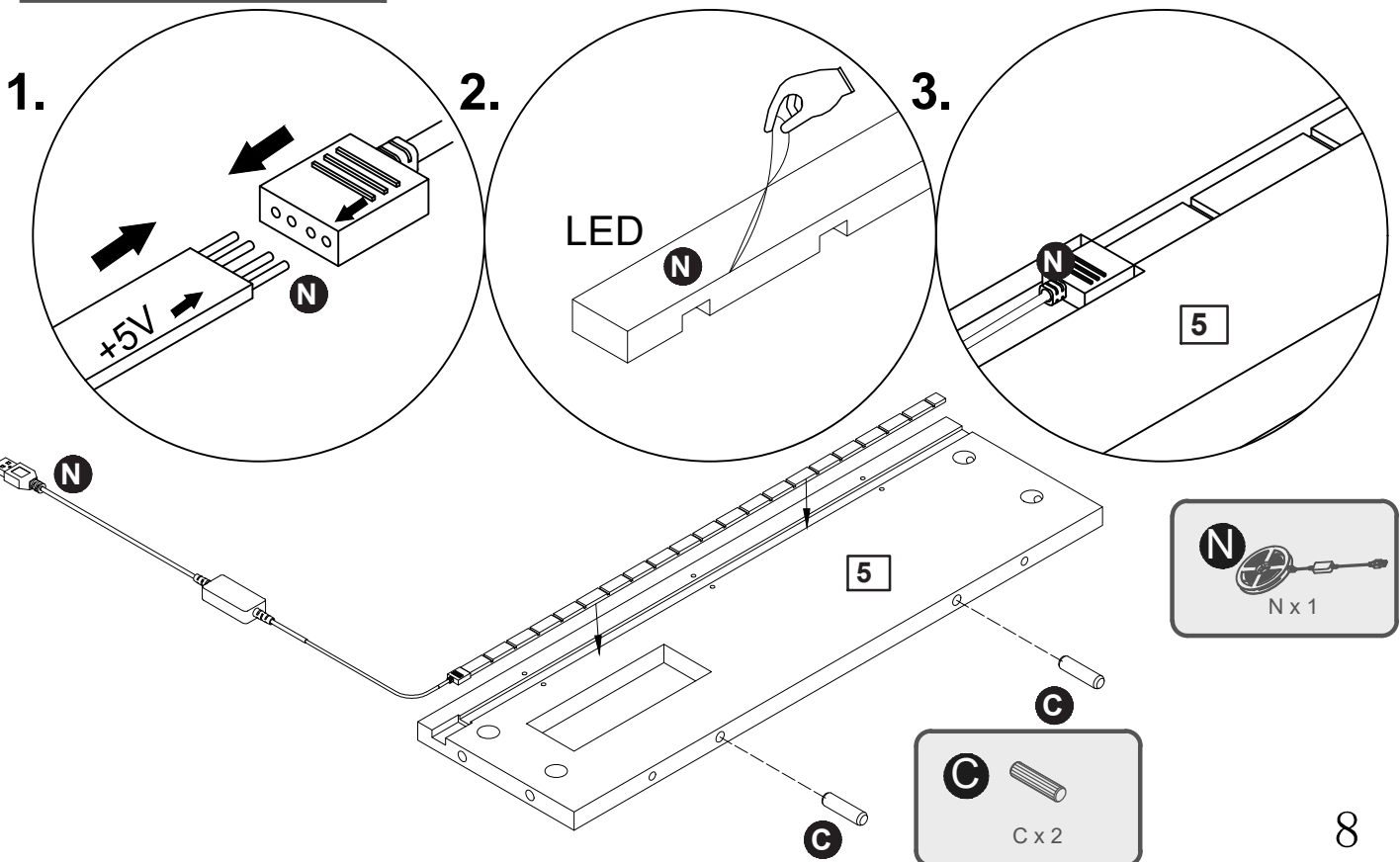
C 
C x 4

Assembly Instructions

Step 5

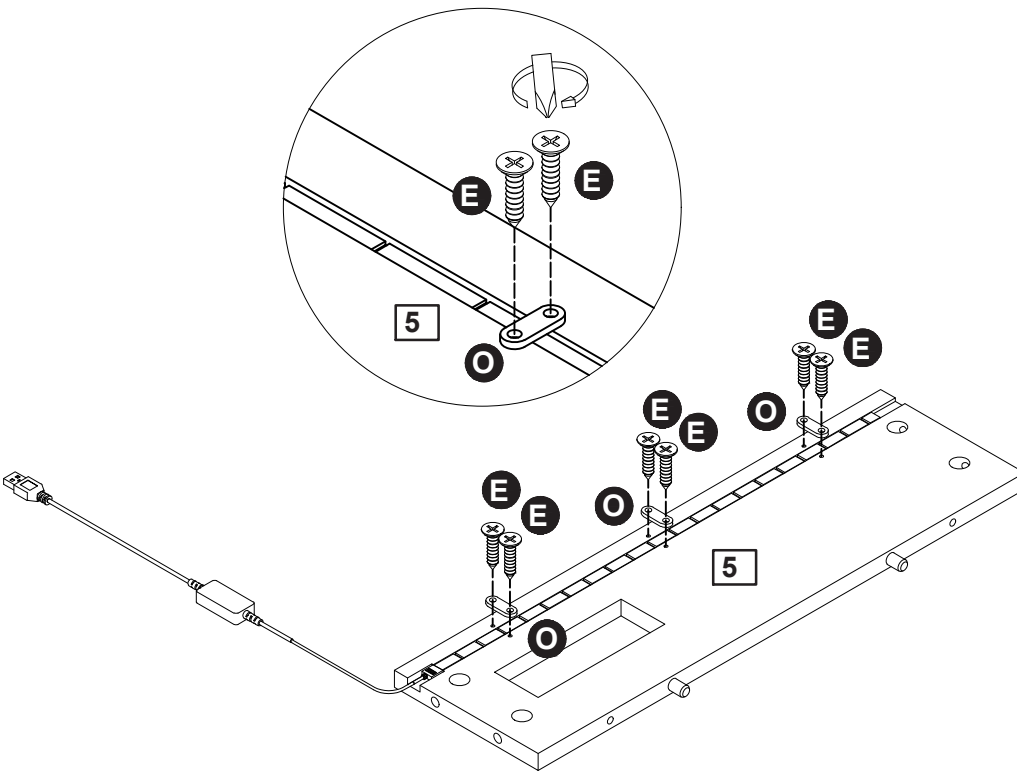


Step 6

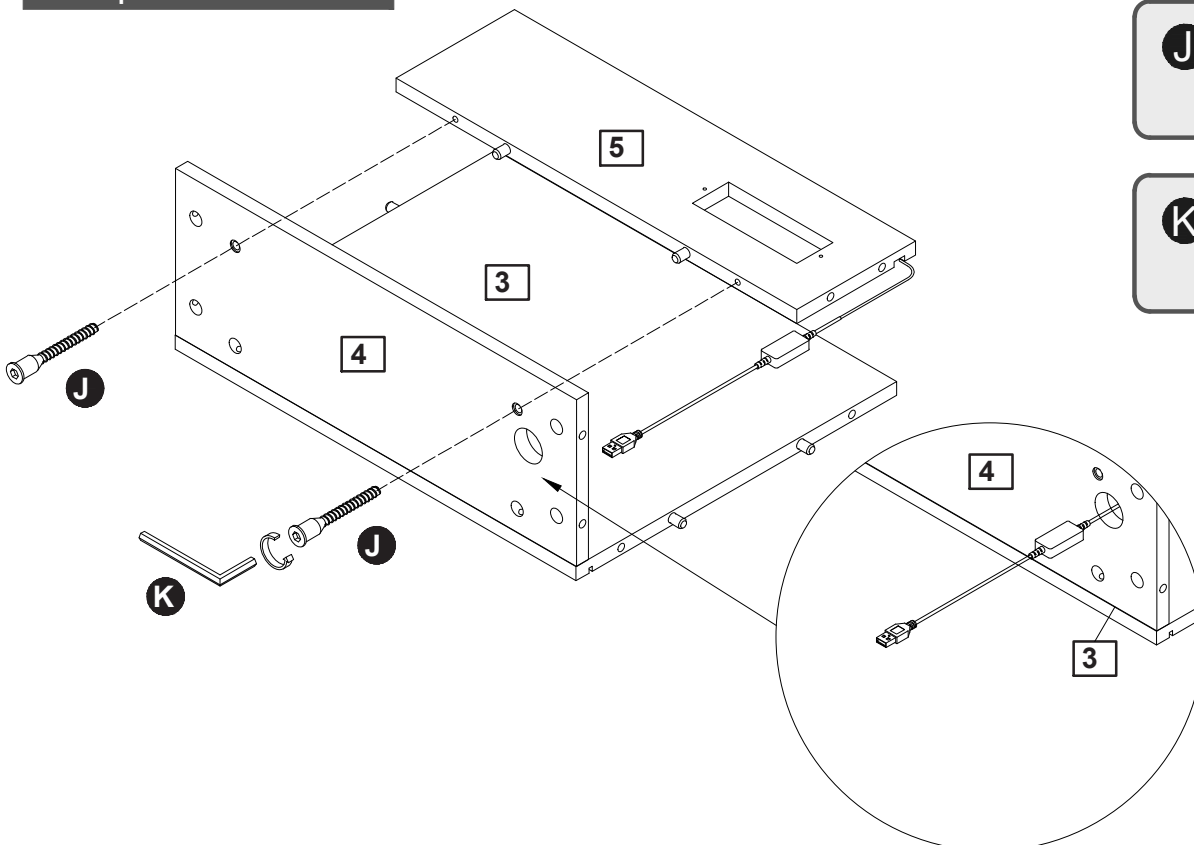


Assembly Instructions

Step 7

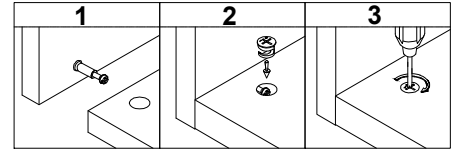
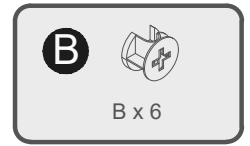
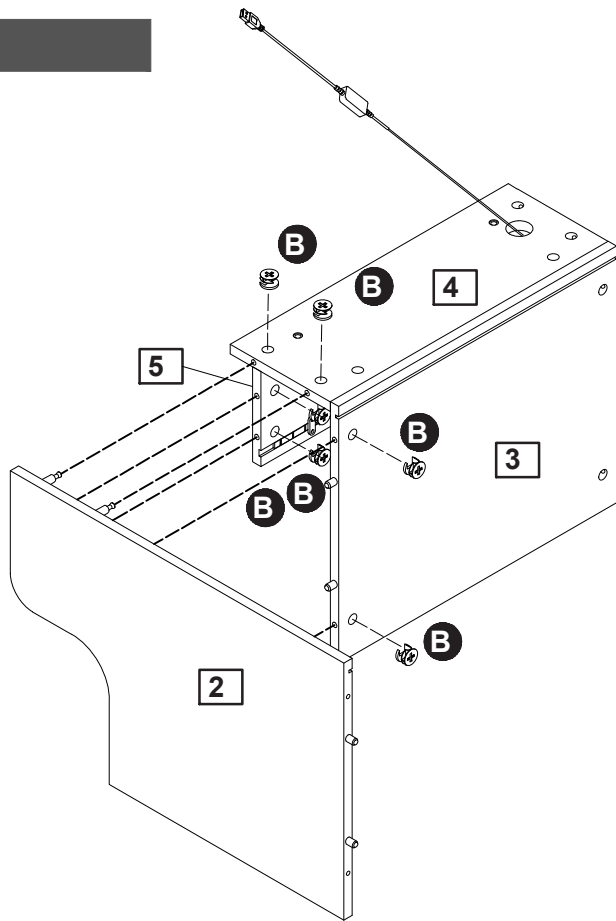


Step 8

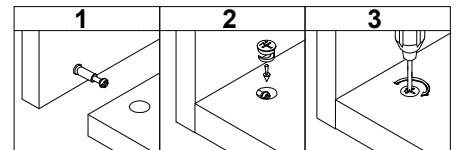
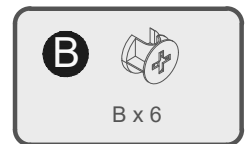
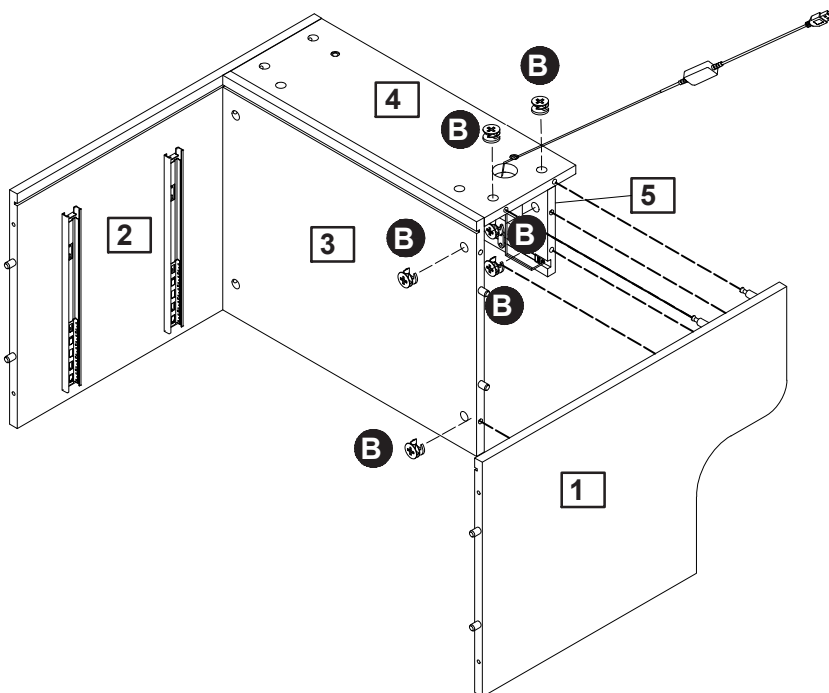


Assembly Instructions

Step 9

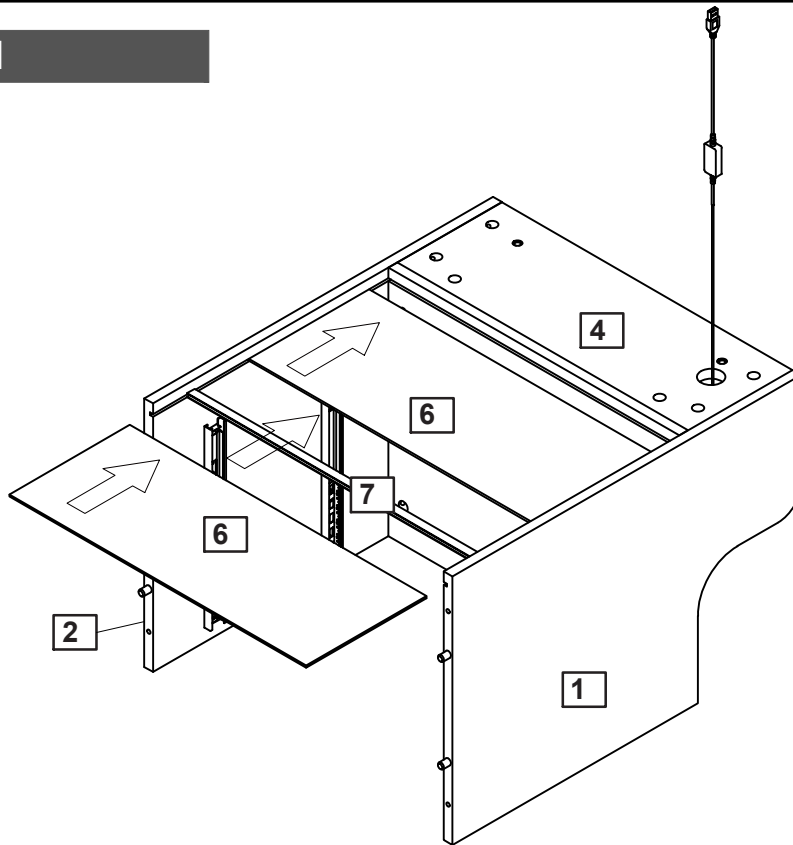


Step 10

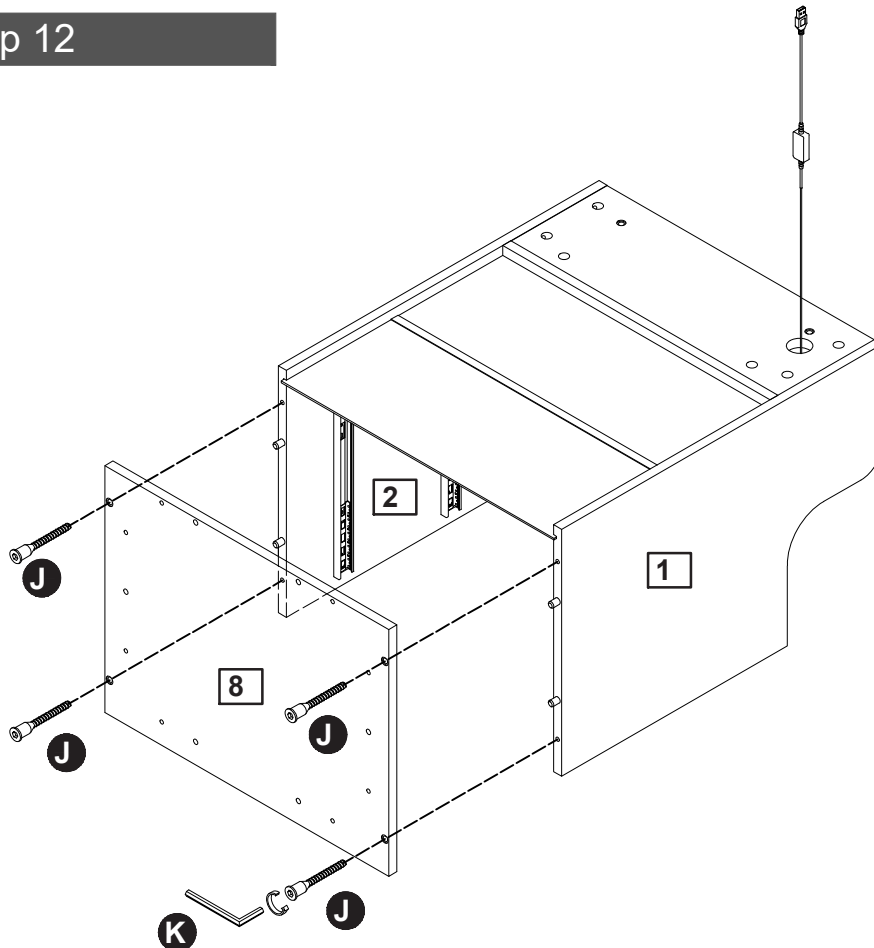


Assembly Instructions

Step 11

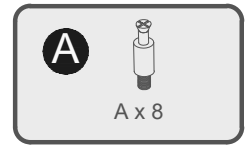
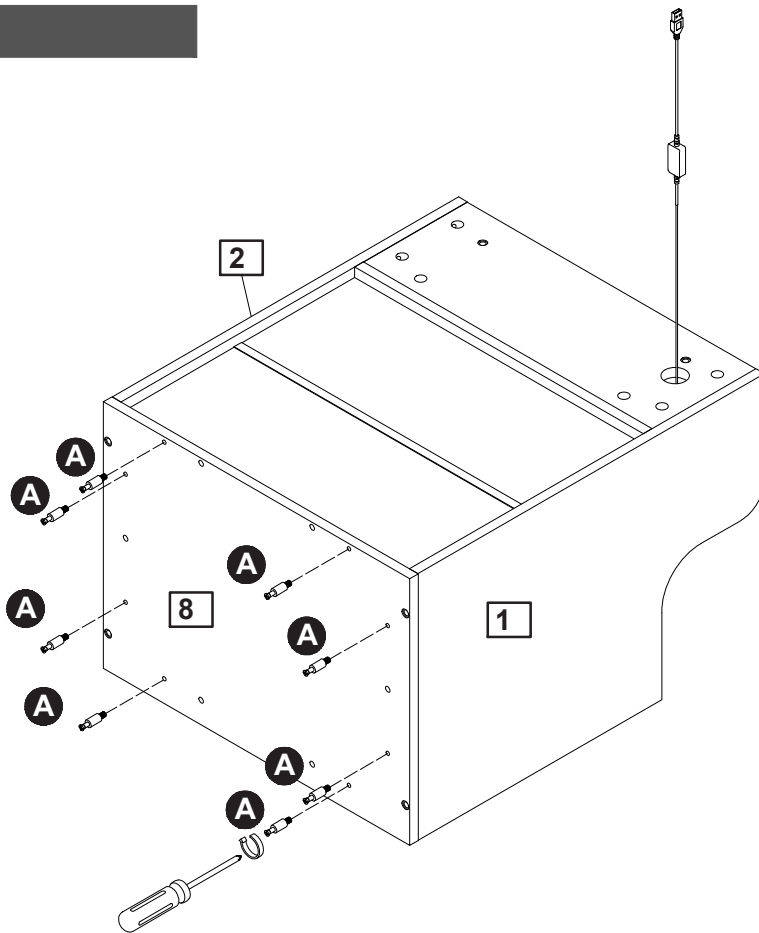


Step 12

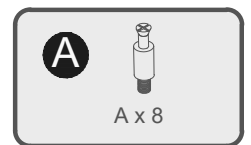
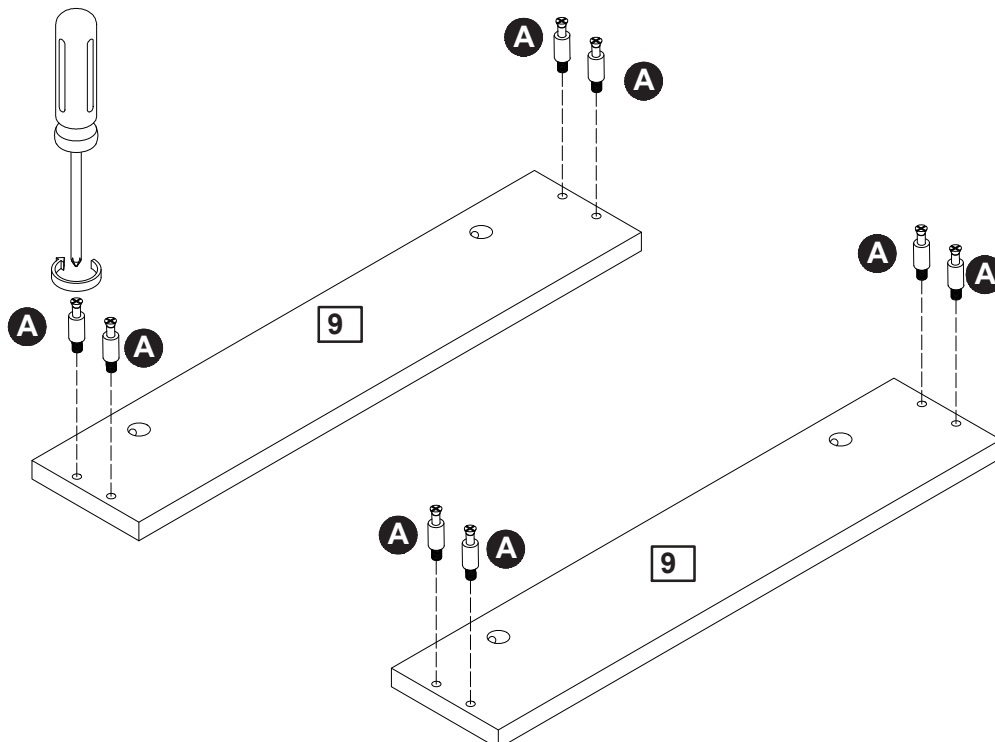


Assembly Instructions

Step 13

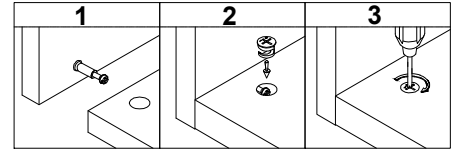
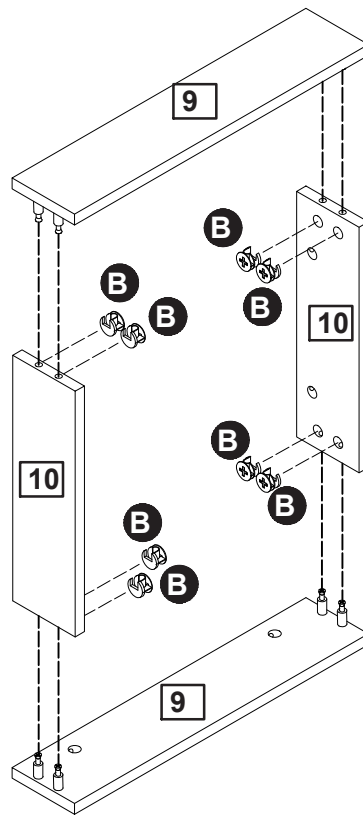


Step 14

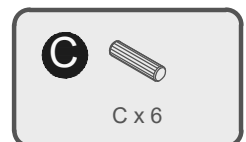
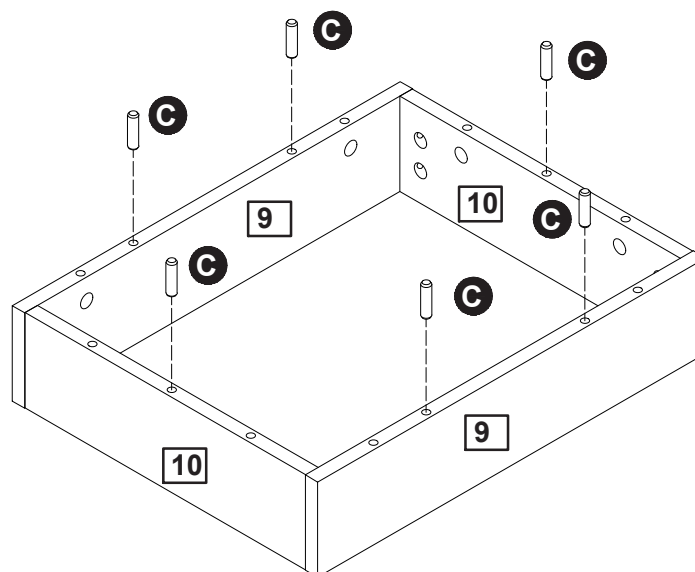


Assembly Instructions

Step 15

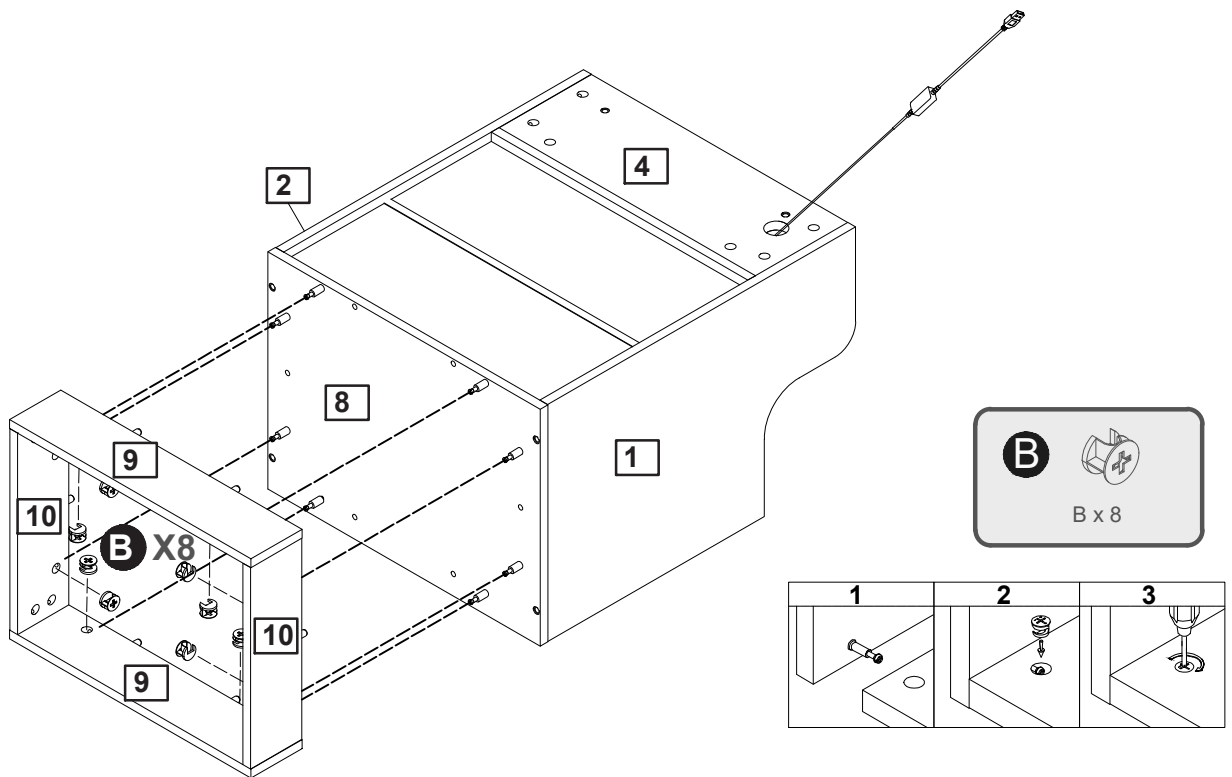


Step 16

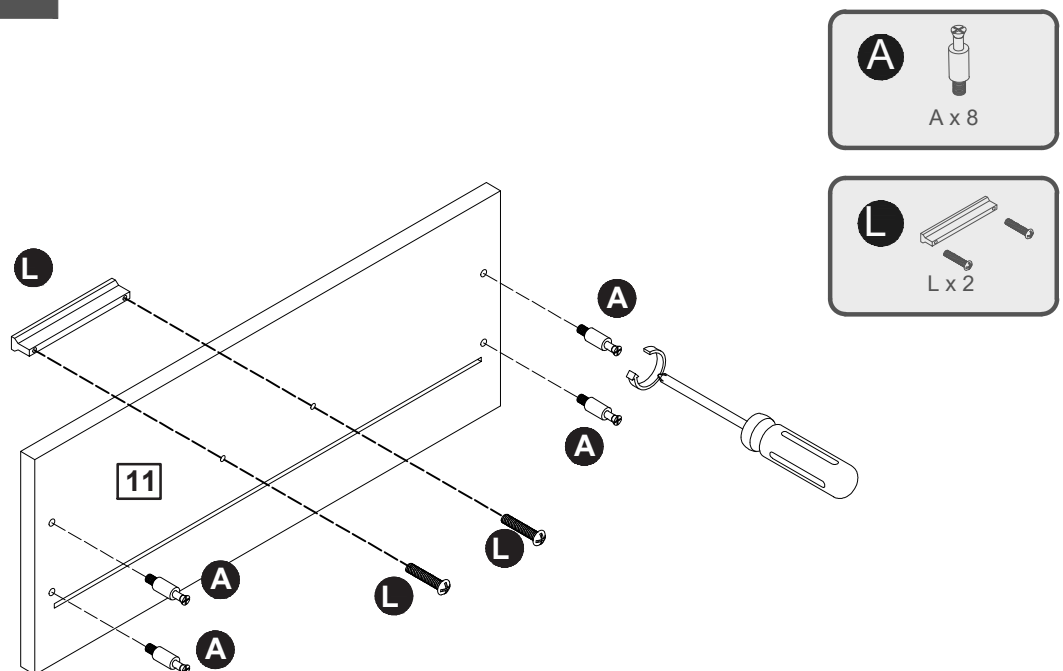


Assembly Instructions

Step 17



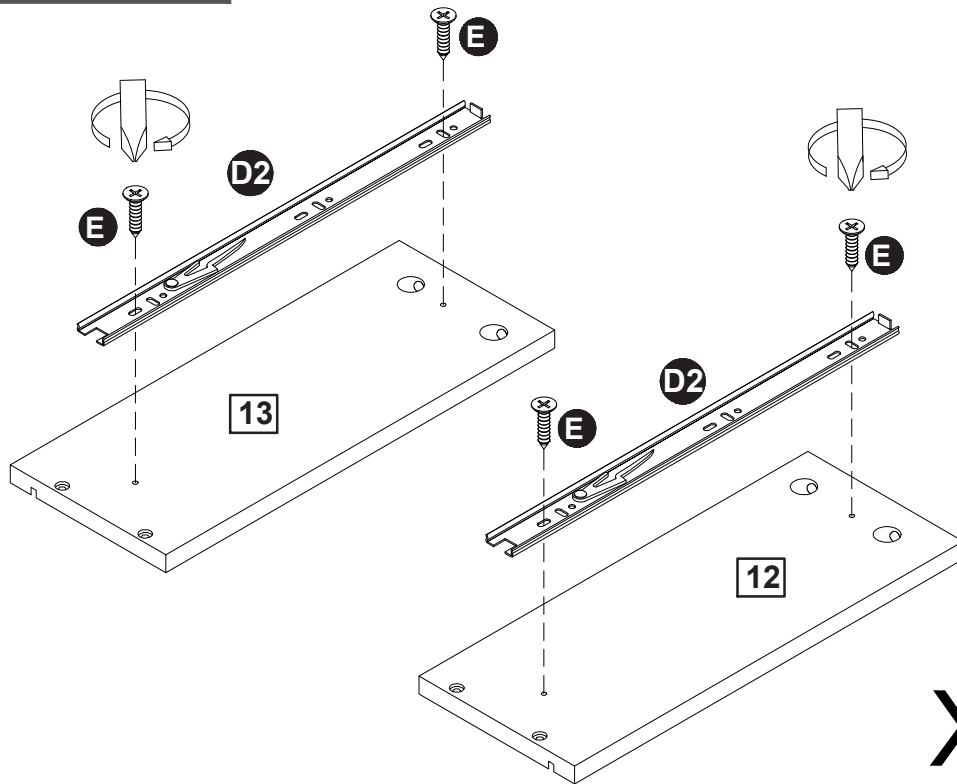
Step 18



X2

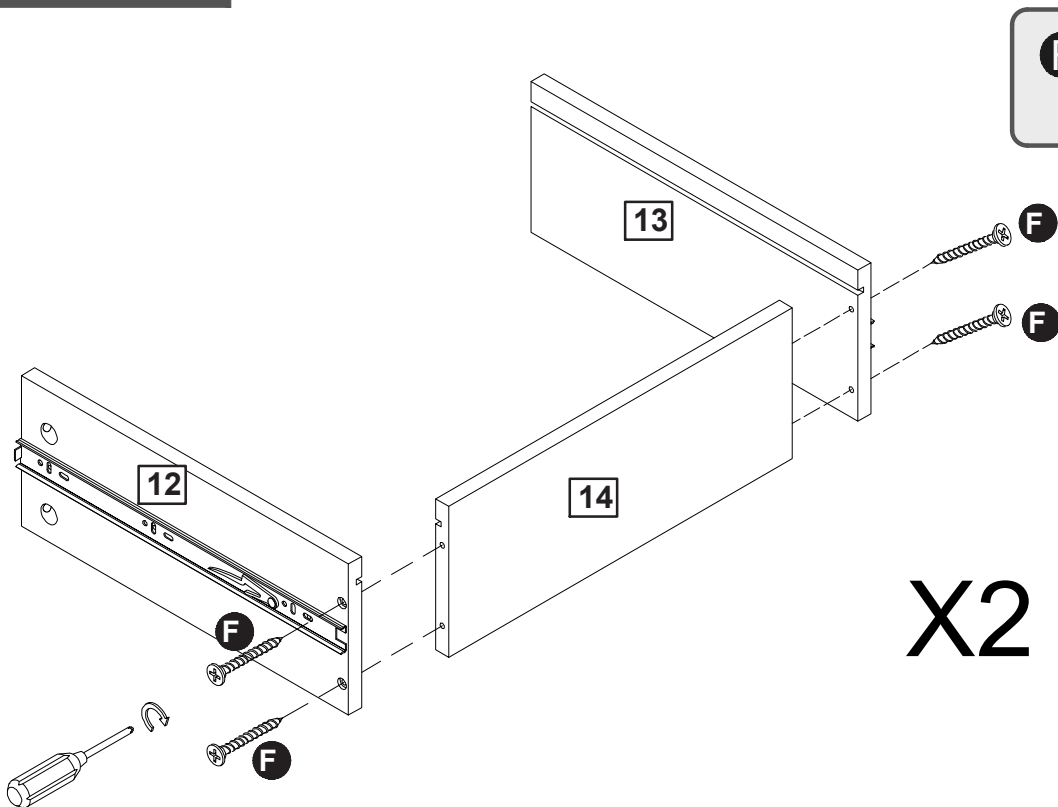
Assembly Instructions

Step 19



X2

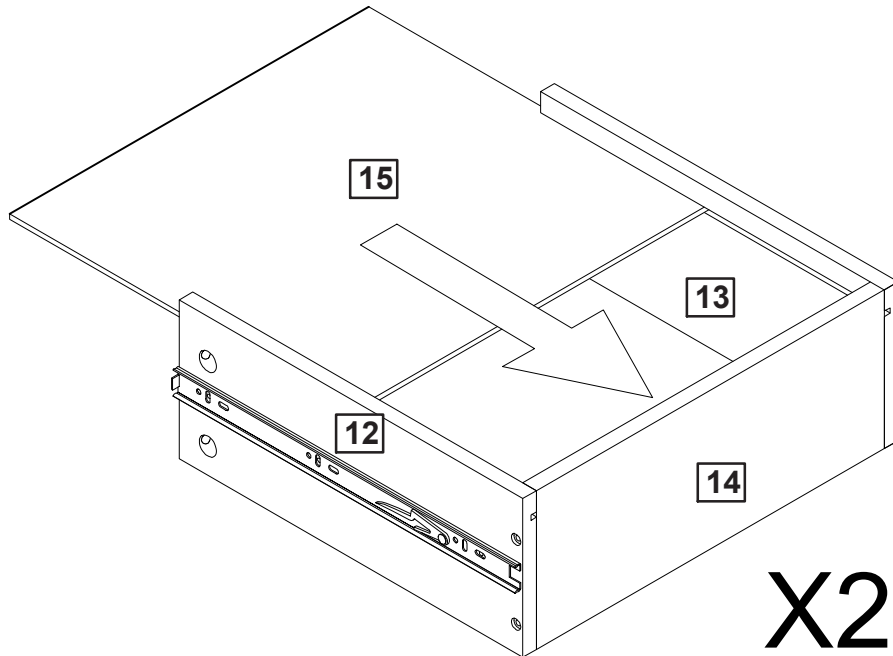
Step 20



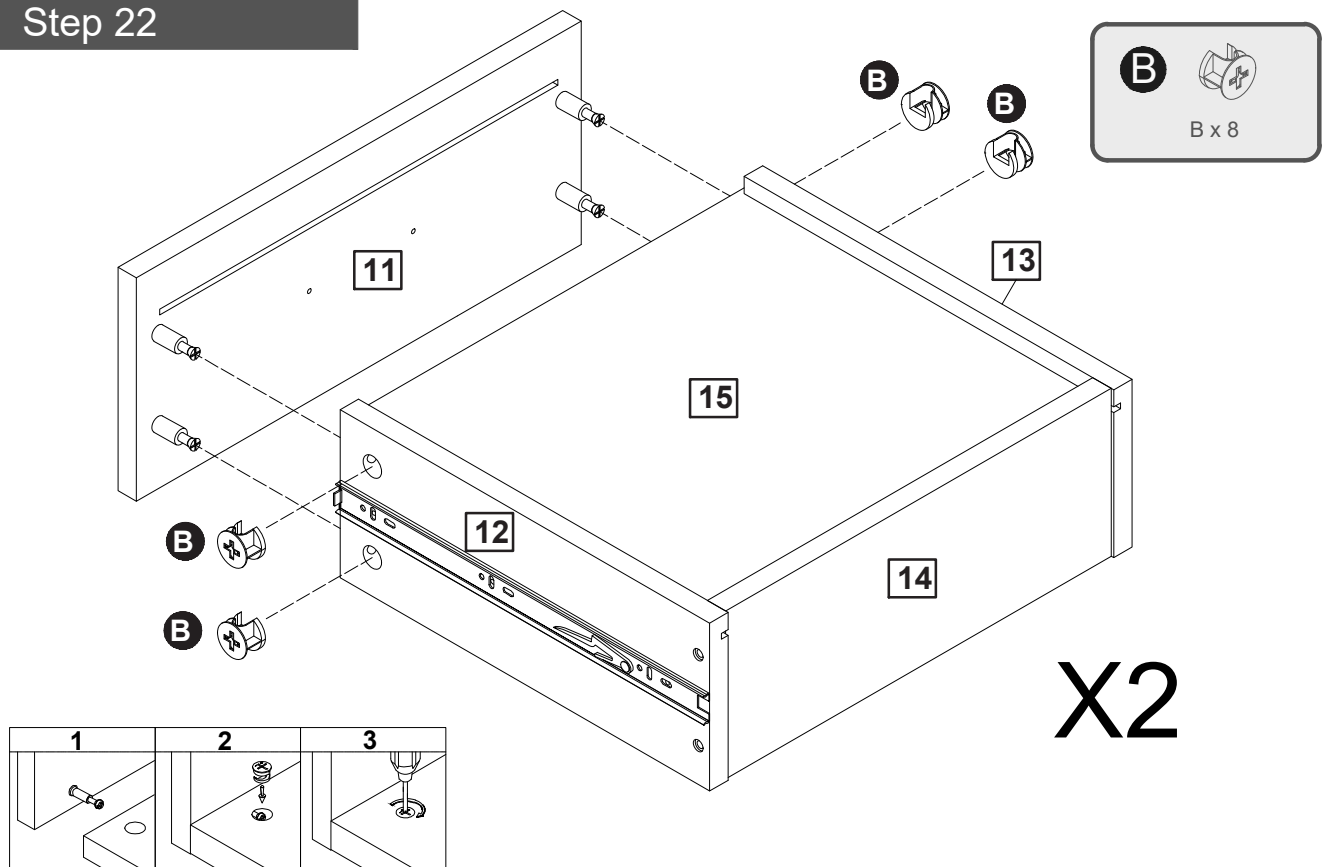
X2

Assembly Instructions

Step 21

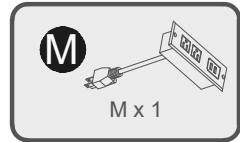
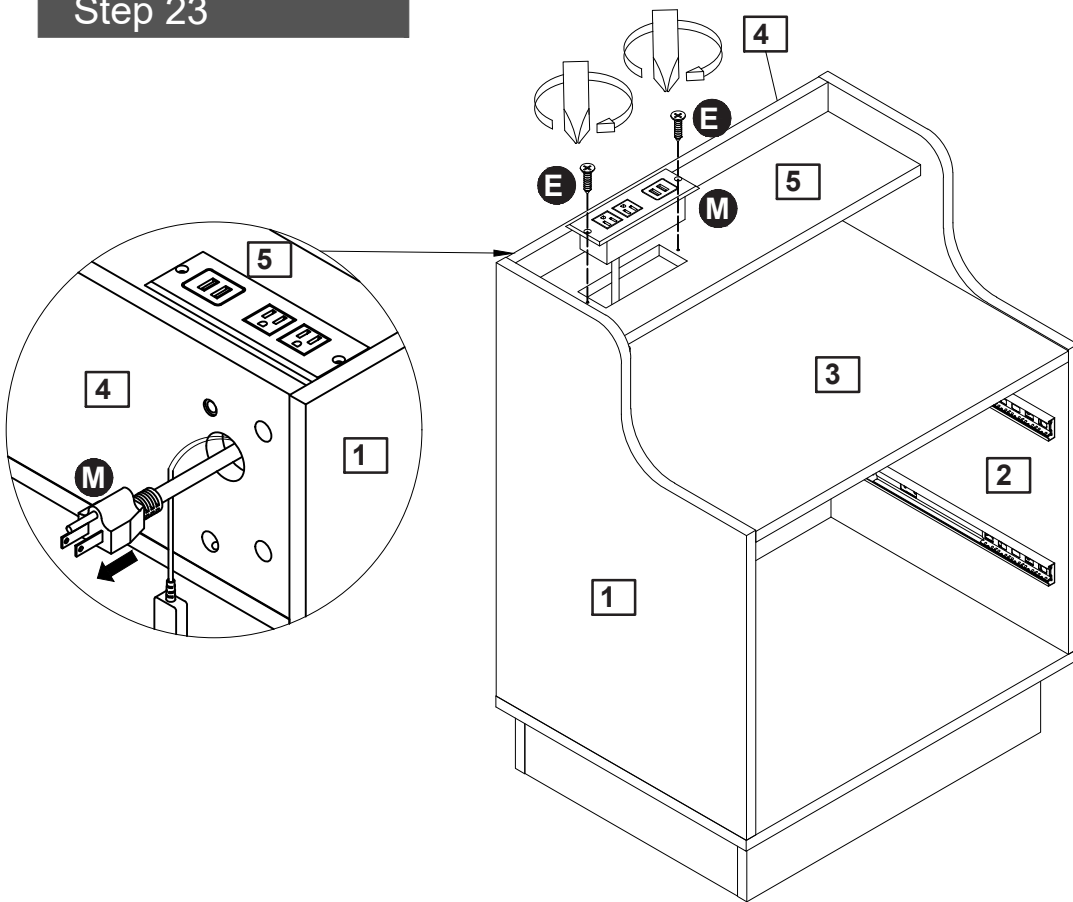


Step 22

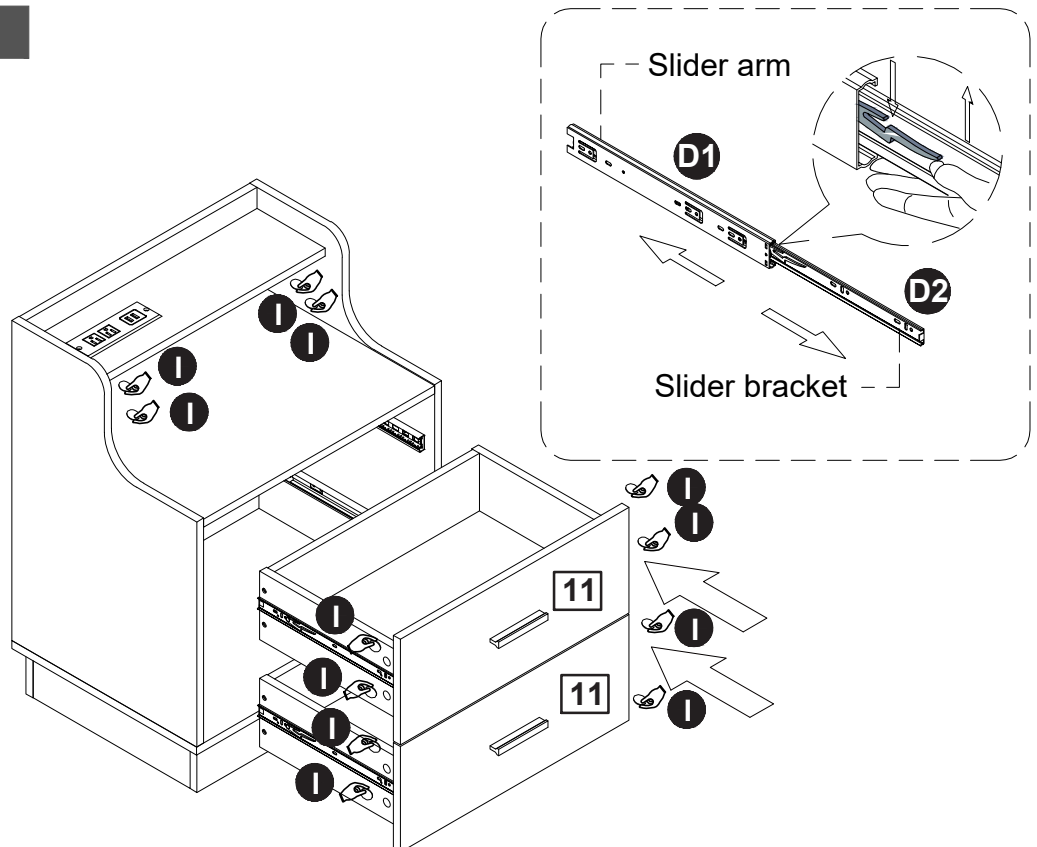
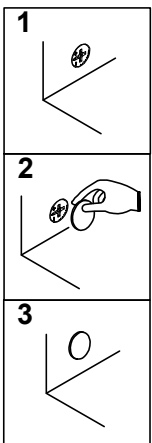


Assembly Instructions

Step 23

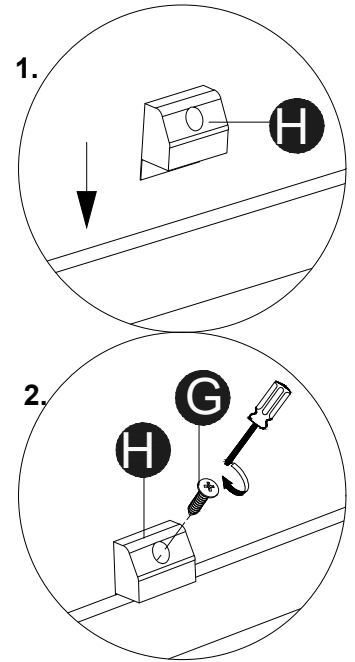
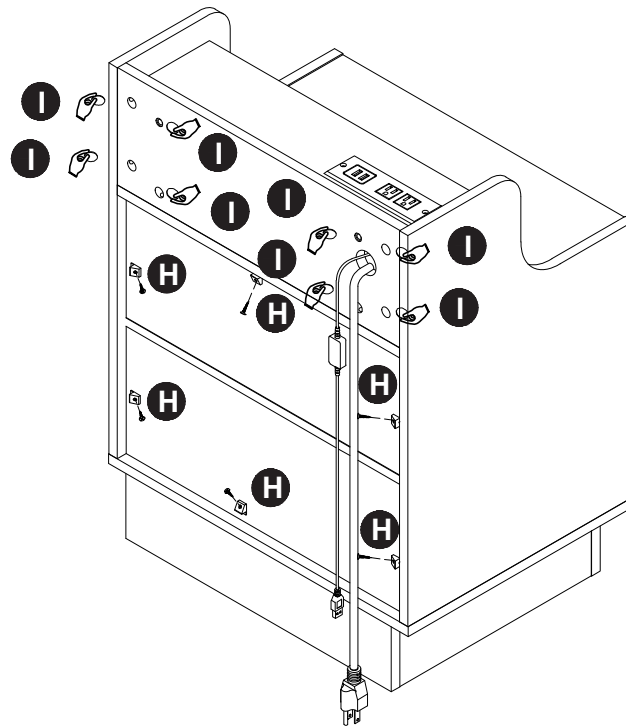
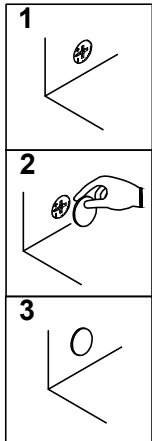
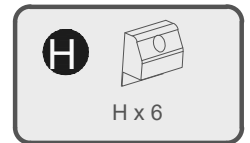


Step 24

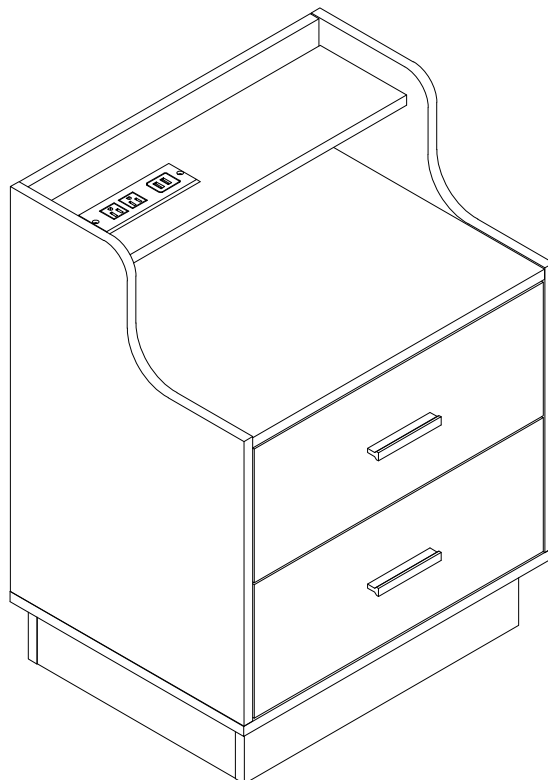


Assembly Instructions

Step 25



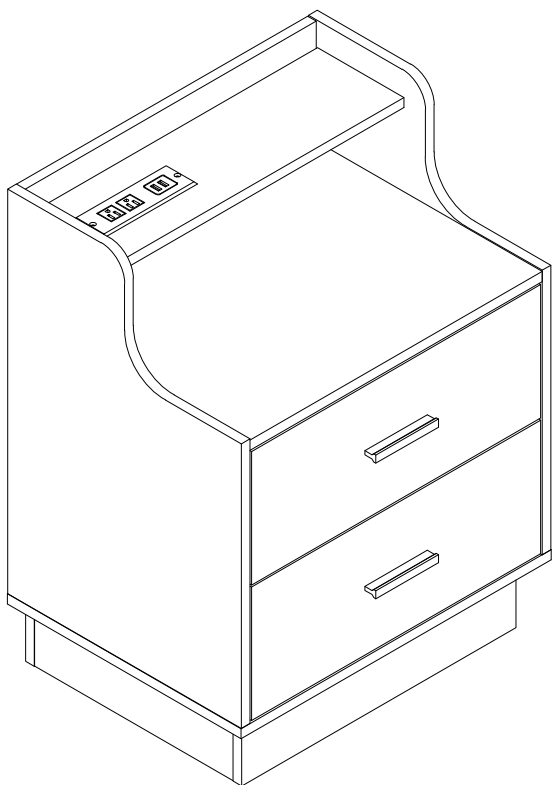
Step 26



Assembly is complete.

Assembly Instructions

Step 27



LED mobile phone Bluetooth controller
For details, please see the attached below manual

LED mobile phone Bluetooth controller

Scan QR code download APP

1. Connect LED color strip and controller, power on controller
2. Scan QR code download APP:



3. Start APP, search and connect controller
4. Enjoy the Bluetooth wireless control experience

LED mobile phone Bluetooth controller

Product Features

.LED Bluetooth controller is directly via mobile phone control remote distance can reach 10m without the need to set up, easy to connect open the software within 5 seconds you can automatically connect the controller

.Flow the rhythm of the music changes

.Group control

.Brightness, speed addition and subtraction

.Maximum can be 10 meters RGB(W) strip

.The software shows that the text is based on the language of the mobile phone set up automatic transformation of Chinese and English

Animation Effect:

.Colorful gradient

.All kinds of monochrome , double color gradient

.All kinds of monochrome, double color , colorfull flashing

.Colorful jump

.Follow the thymhm of the music chagnes

Product Paramters:

.Bluetooth: BLE V4 .2

.Input Voltage: 4.5-26V

.Working Temp: -25- 75°C

.Size: 43*22 *11mm

.Weight: 30g

.Max Power : 144W(24V)