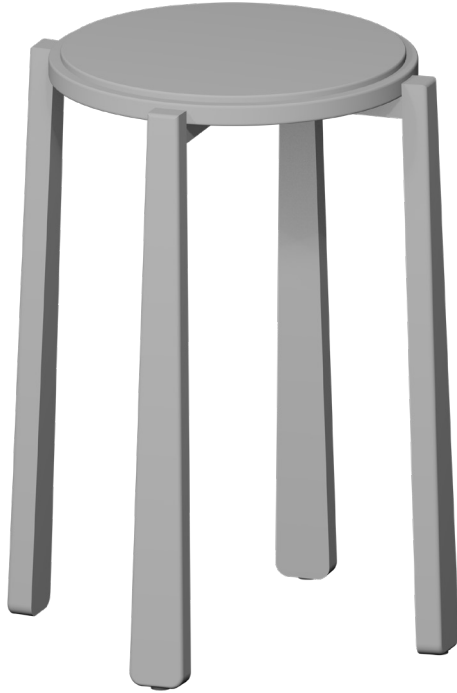


Owner Manual



10 : 00

estimated
assembly time



1 or more

people required

Ok, let's
get started!



- Put on mood music!
- To prevent damage to product, use the clean side of package carton or rug as working surface.
- In the event of missing or damaged parts, delivery problems etc., please reach out to our team. We will be happy to fix the problem!

care guide

- Clean regularly with a soft and dry cloth.
- To protect finish, avoid use of abrasive cleaners.
- Wipe up spills immediately. Please!

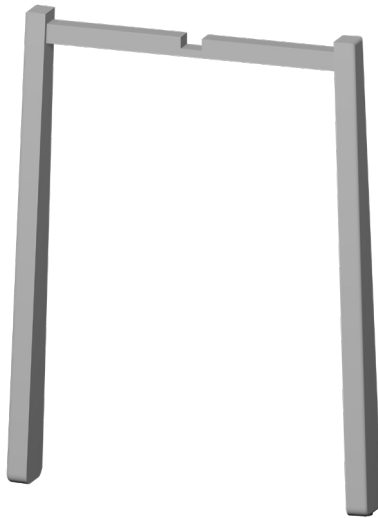
ⓘ **While assembling the product, tighten the bolts up to 50%. Once all parts are in place, only then fully tighten the bolts.**



product
parts



(A)
Tabletop
x1



(B)
Table Legs
x2

what's included



(C)-Bolt
(6 x 60mm)
x4



(D)-Plain Washer
(6 x 18mm)
x4



(E)-Lock Washer
(8.5mm)
x4



(F)-Allen key
x1

assembly instructions

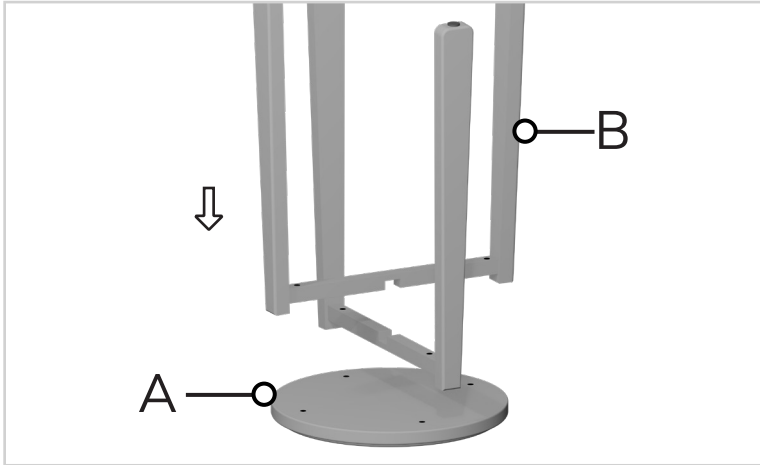
Friendly Tip: Take a deep breath going in. This may be a tricky part, but nothing too overwhelming. Just follow these steps to the T and the outcome will be worth it!



- ⓘ While assembling the product, tighten the bolts up to 50%. Once all parts are in place, only then fully tighten the bolts.

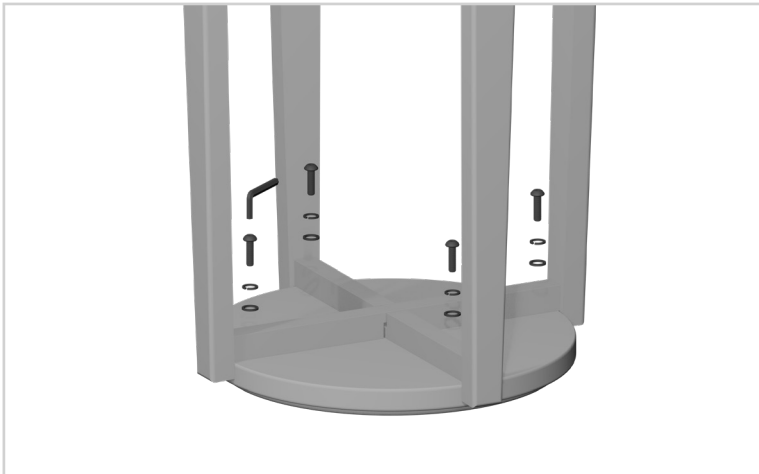
step 1:

Turn the tabletop (A) upside down. Align both the table legs (B) with the tabletop (A).



step 2:

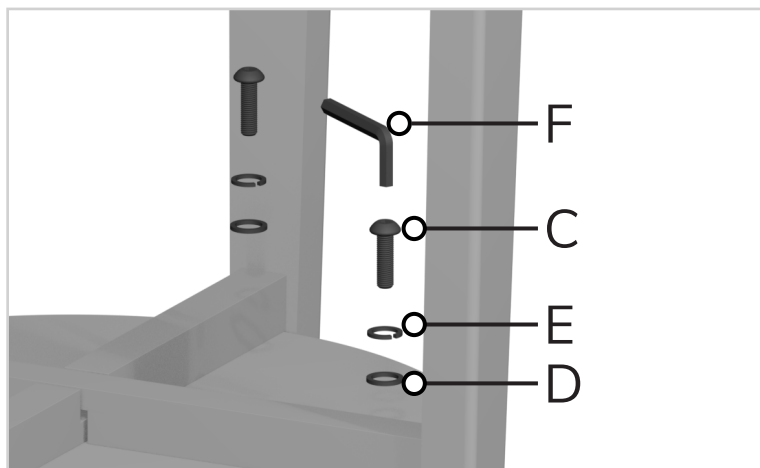
Start by attaching table legs (B) using bolts (C), plain washer (D), lock washer (E). Tighten all points using allen-key (F).



⚠ While assembling the product, tighten the bolts up to 50%. Once all parts are in place, only then fully tighten the bolts.

step 3:

Repeat the same steps for other leg also.

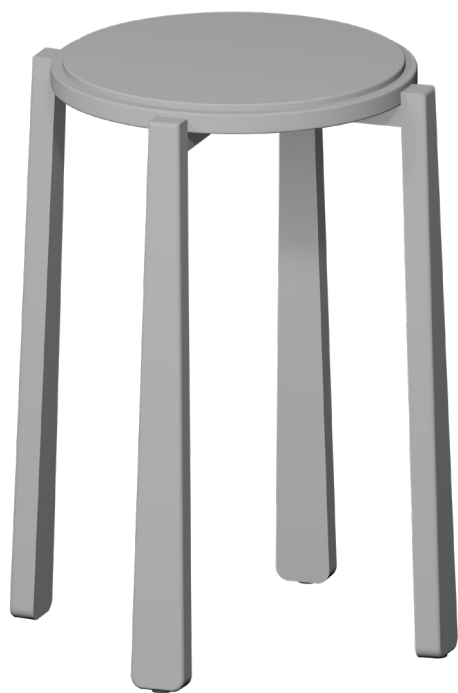


step 4:

Make sure all the table legs (B) are tight and secure.



**⚠ While assembling the product, tighten the bolts up to 50%.
Once all parts are in place, only then fully tighten the bolts.**



Voilà! Your table is now assembled and secure!