

USER'S MANUAL

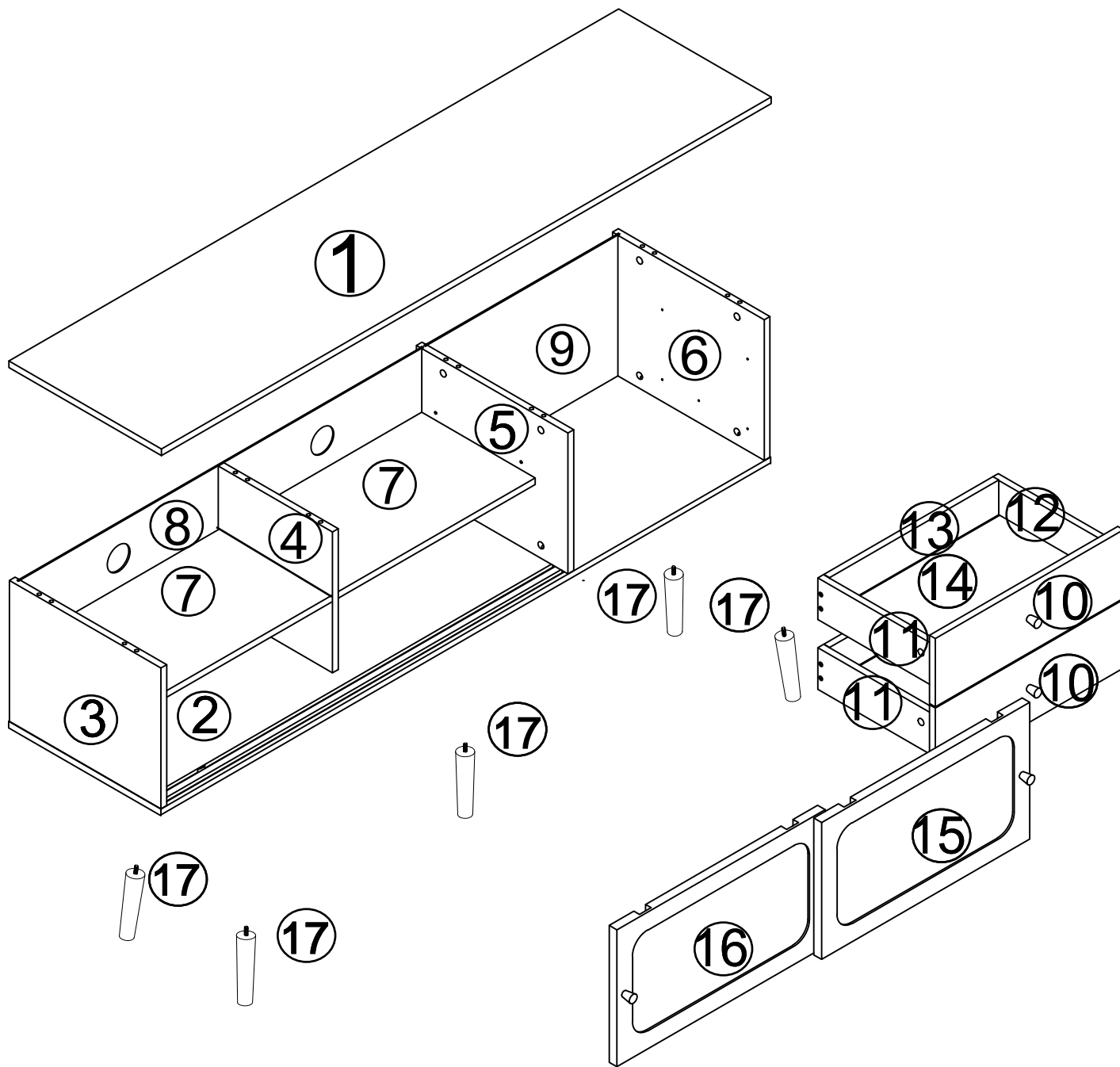
List

Part I. Product structure

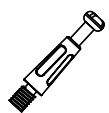
Product assembly completion drawing-----	1
Component hardware details -----	3
Product explosion-----	3

Part II. Assembly steps

Assembly steps-----	4-9
Good job -----	10



A*20



Φ6*30

B*20



Φ15*10

C*20



Φ8*30

D*8



Φ4*30

E*20



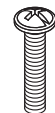
Φ3.5*14

F*4



Φ4*40

G*2



M4*22

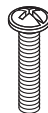
H*24



I*8

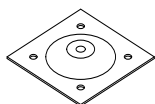


J*2

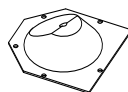


M4*18

K*1



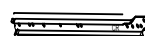
L*4



CL*2



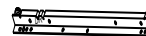
CR*2



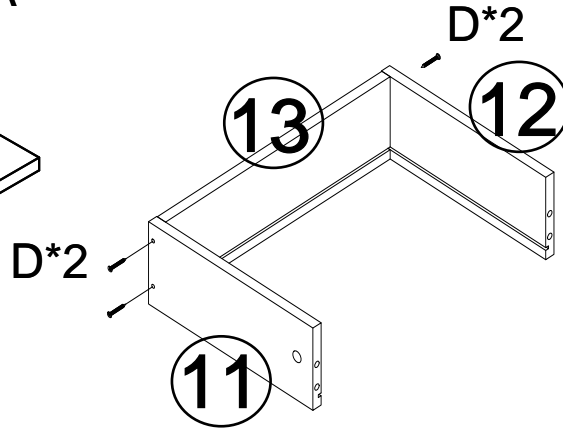
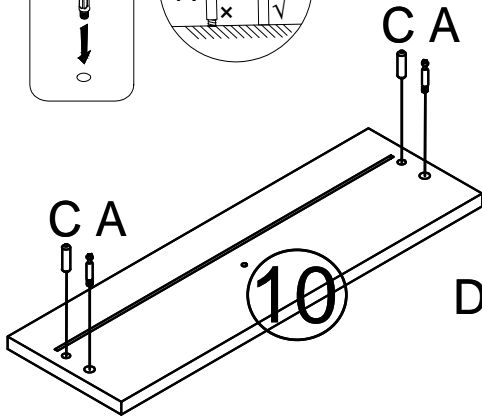
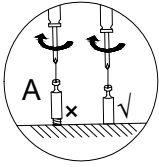
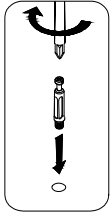
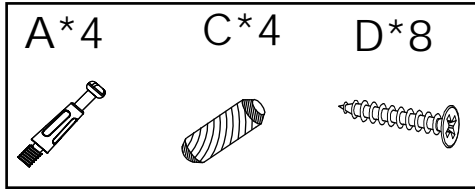
DL*2



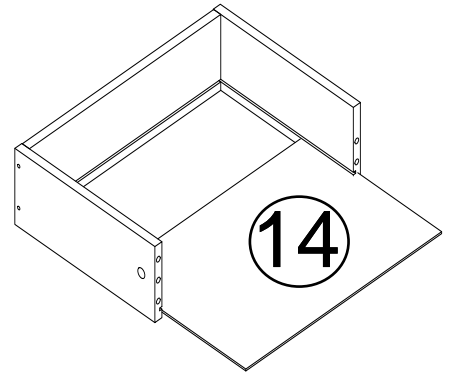
DR*2



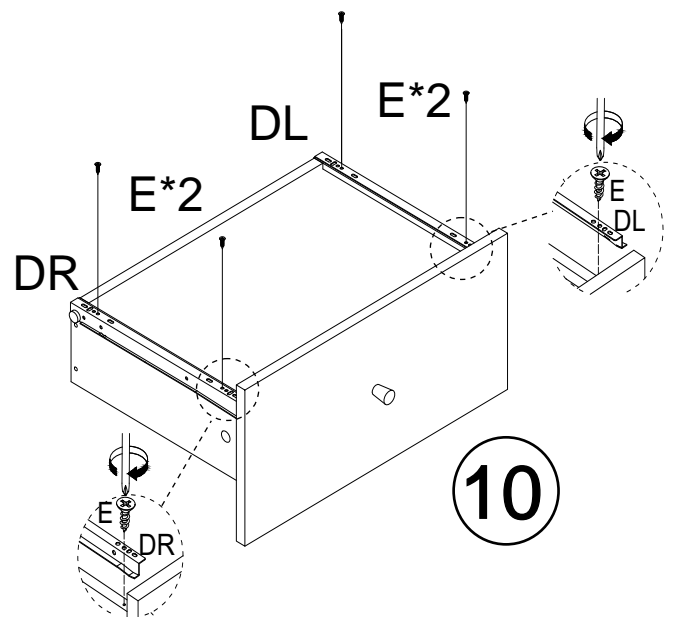
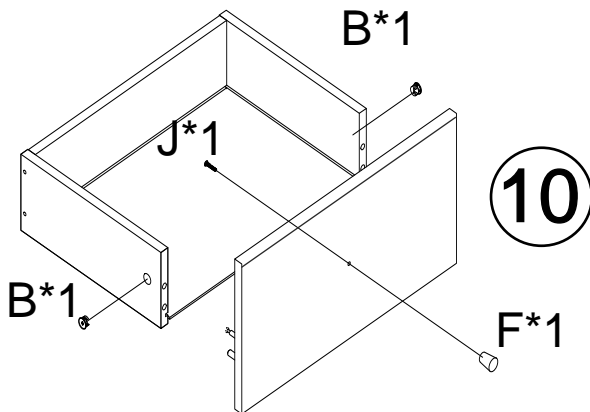
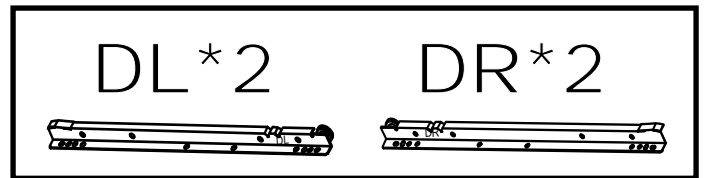
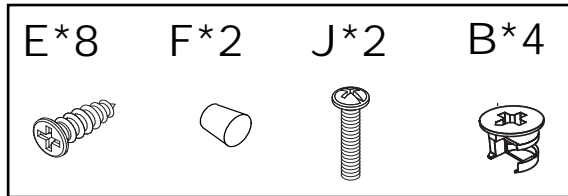
Step 1



***2**

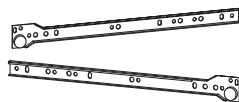
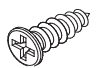


Step 2

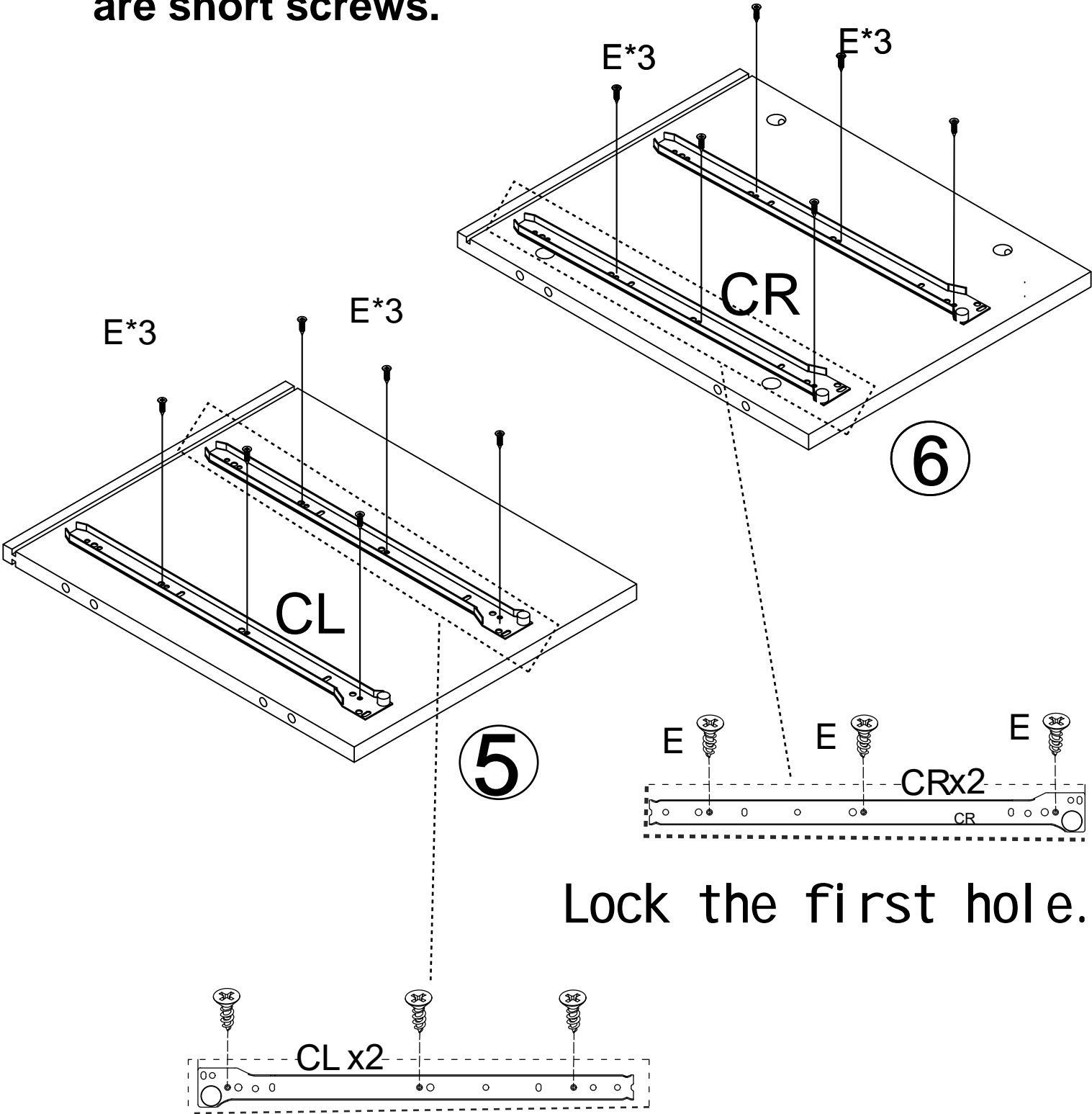


***2**

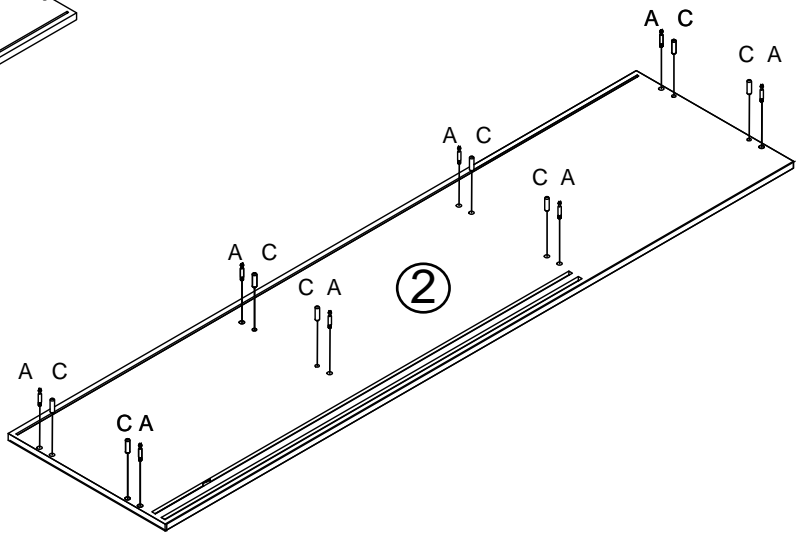
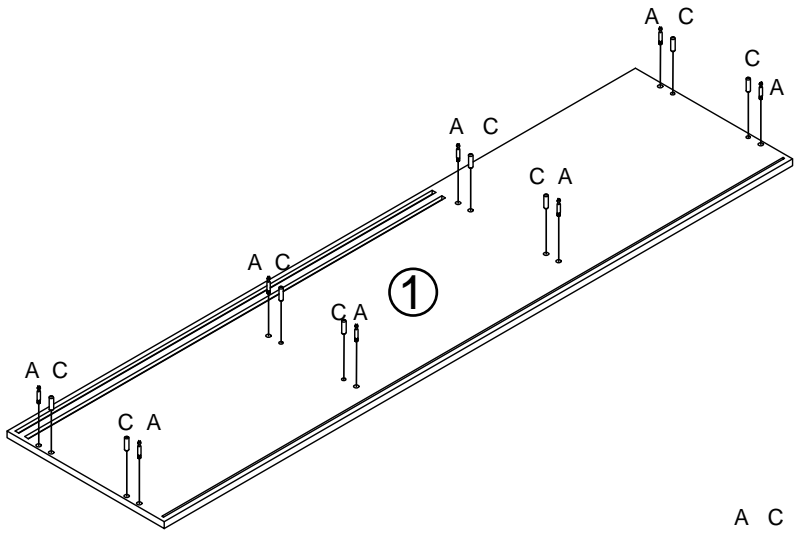
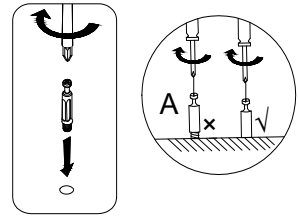
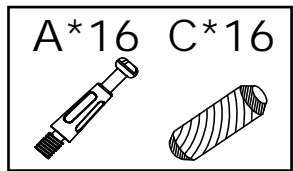
Step 3

E*12		CL*2
		CR*2

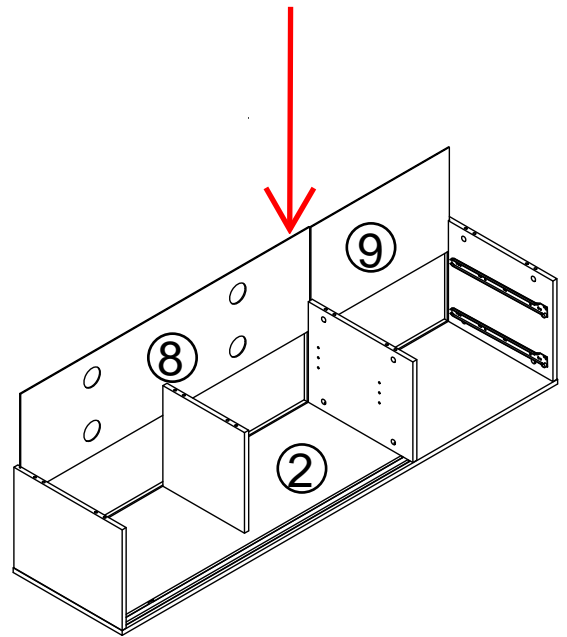
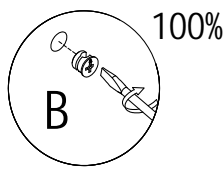
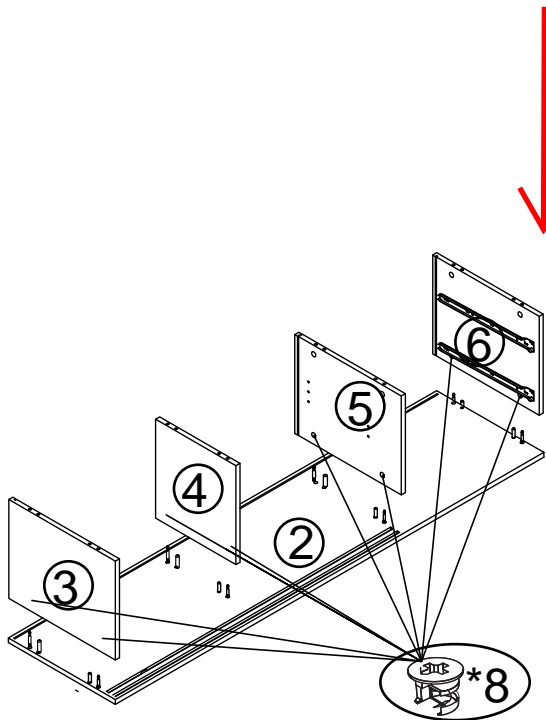
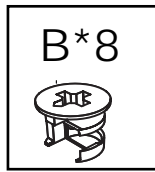
Note: The screws for this step are short screws.



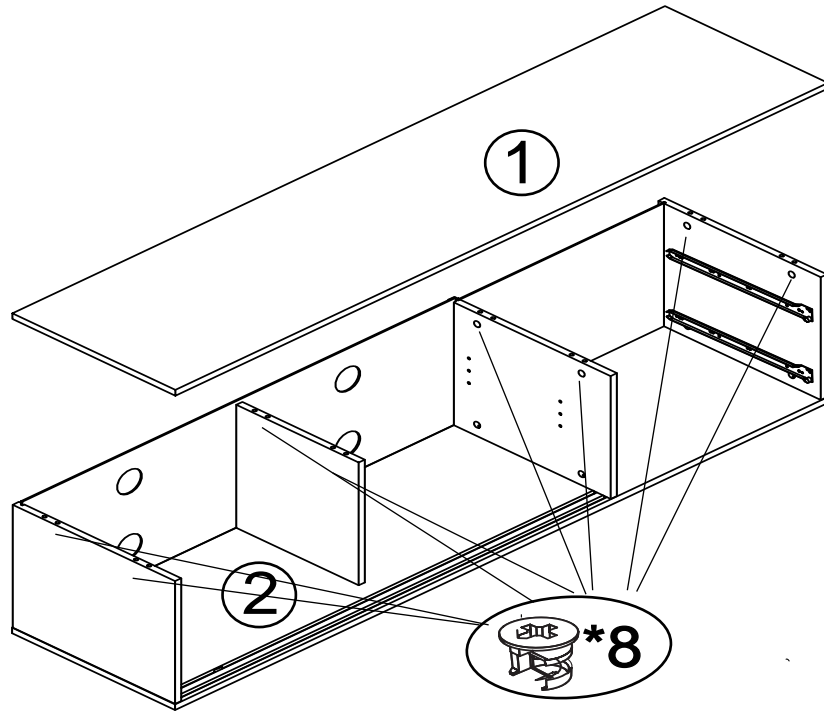
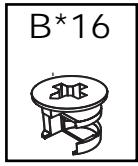
Step 4



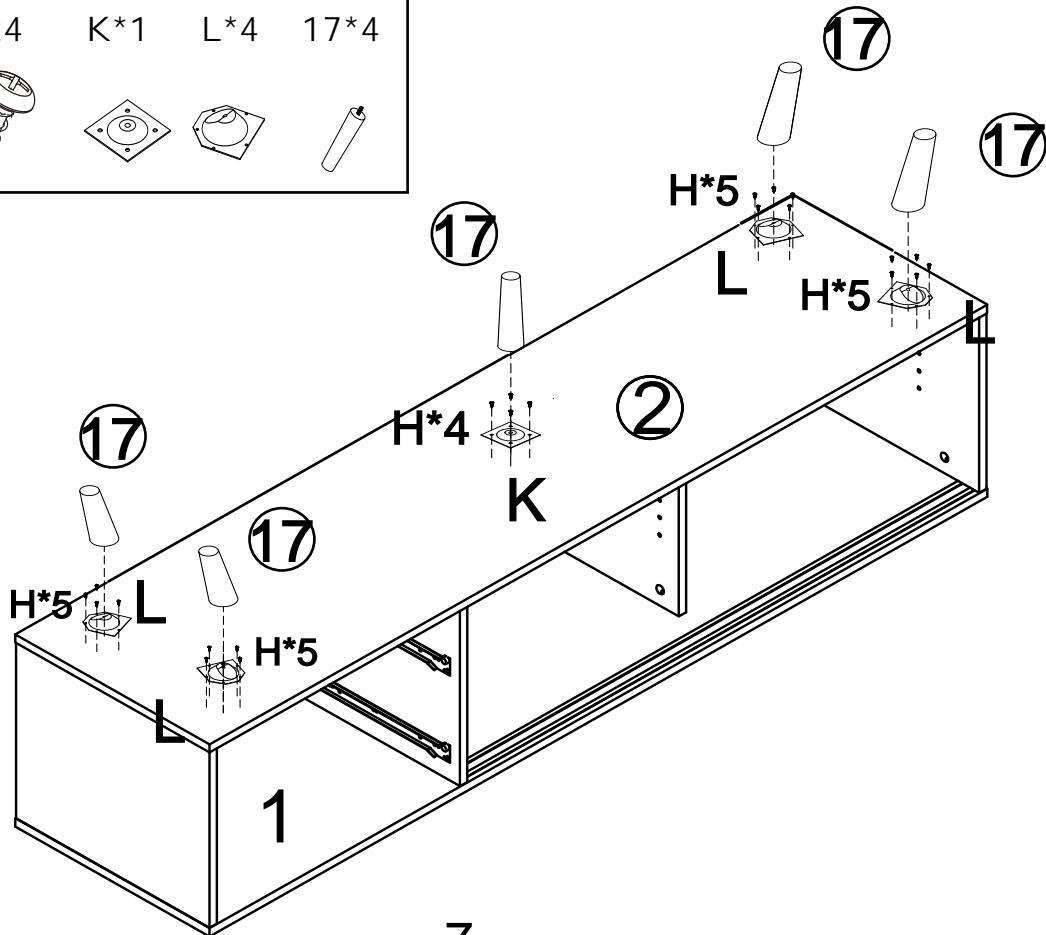
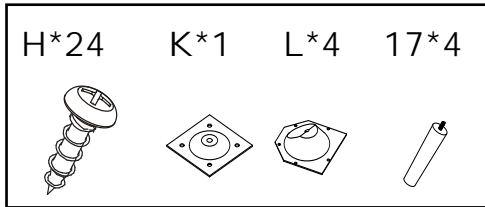
Step 5



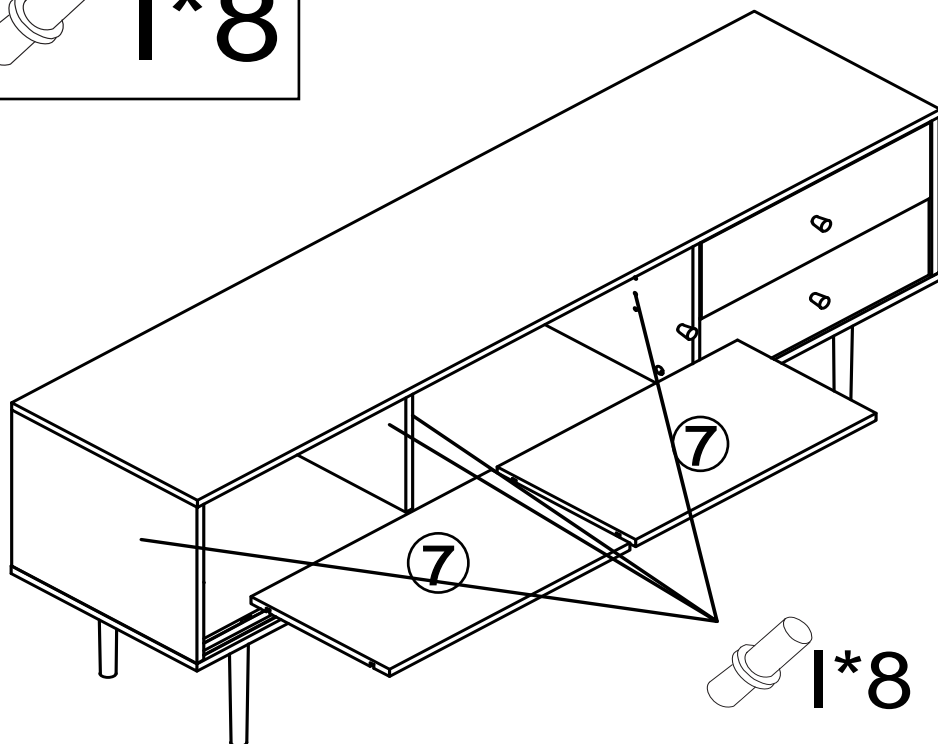
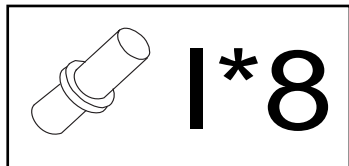
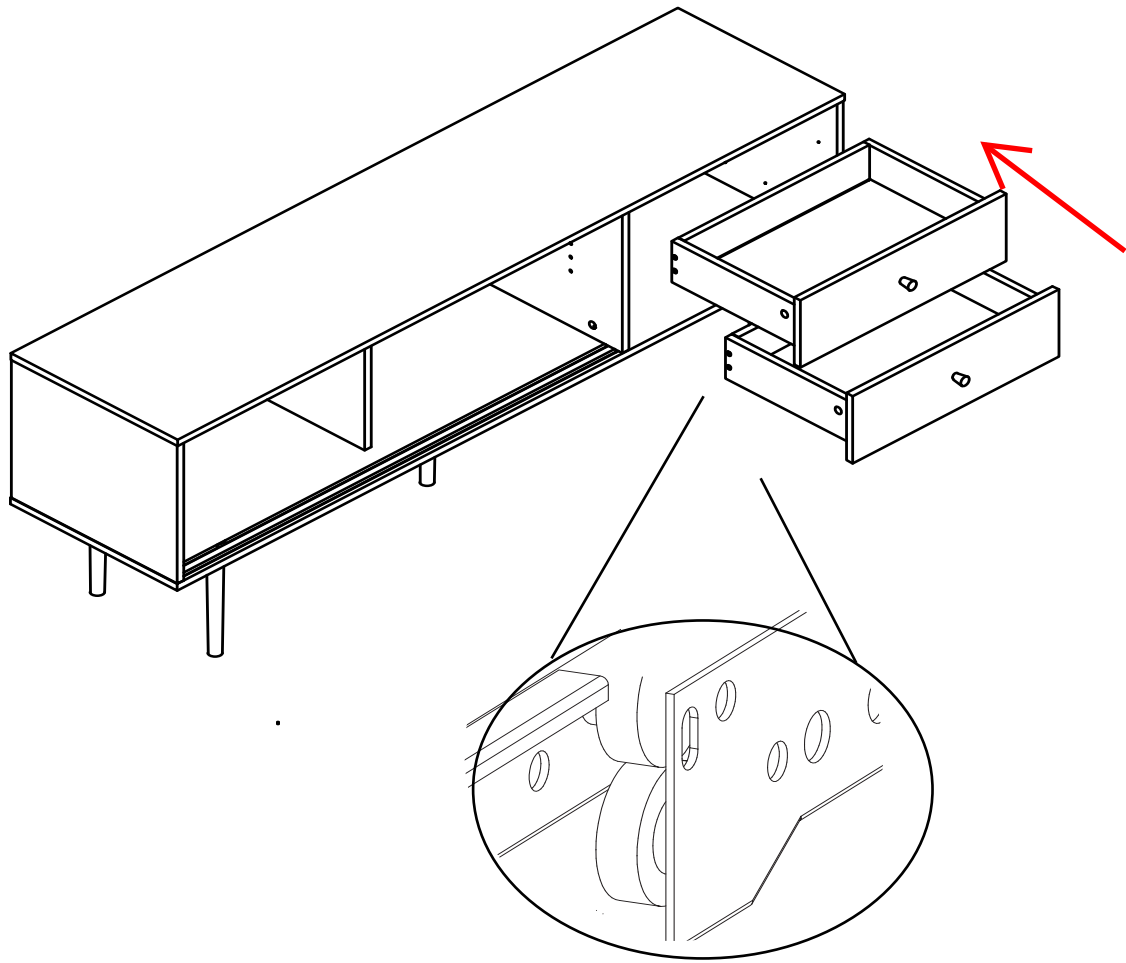
Step 6



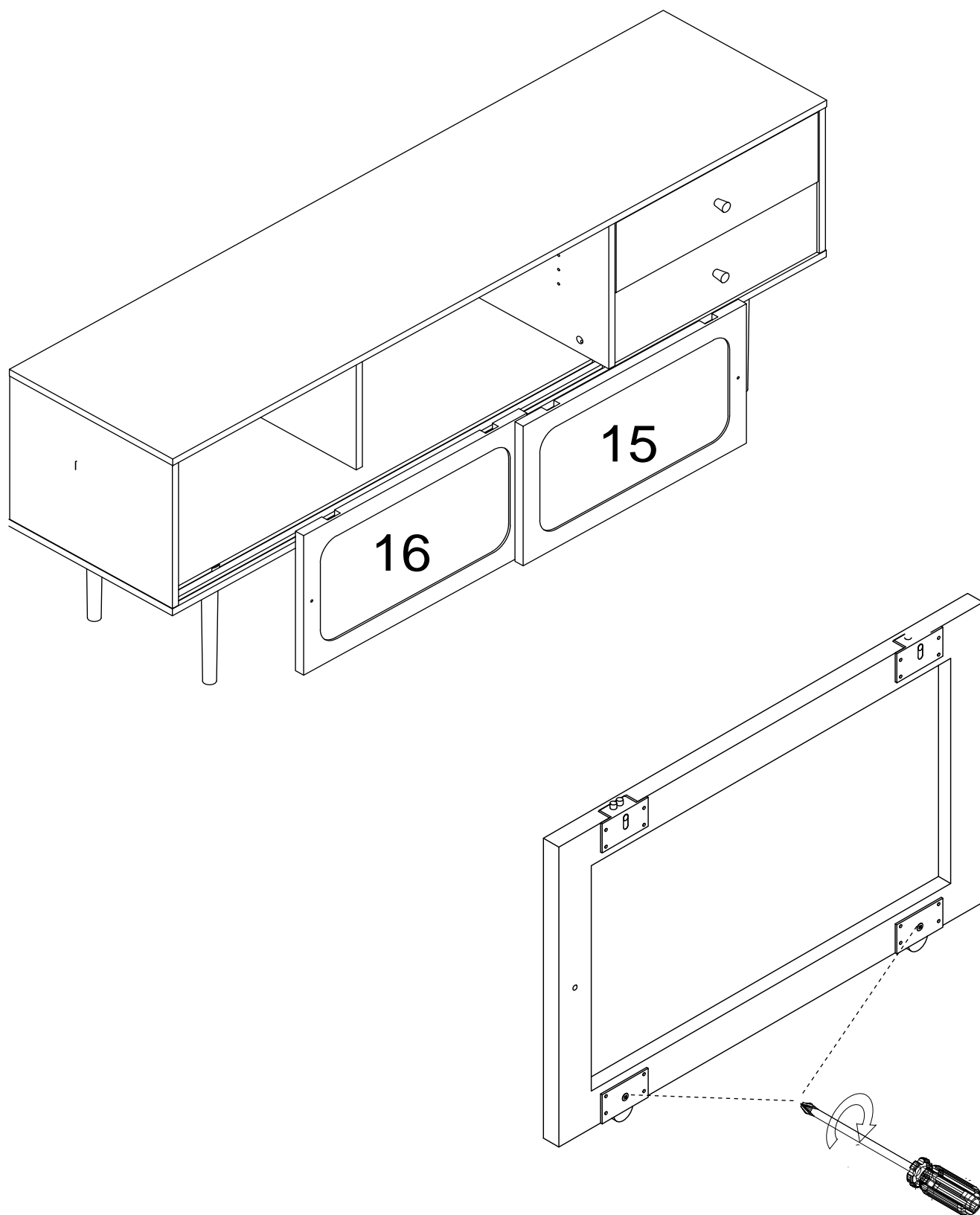
Step 7



Step 8

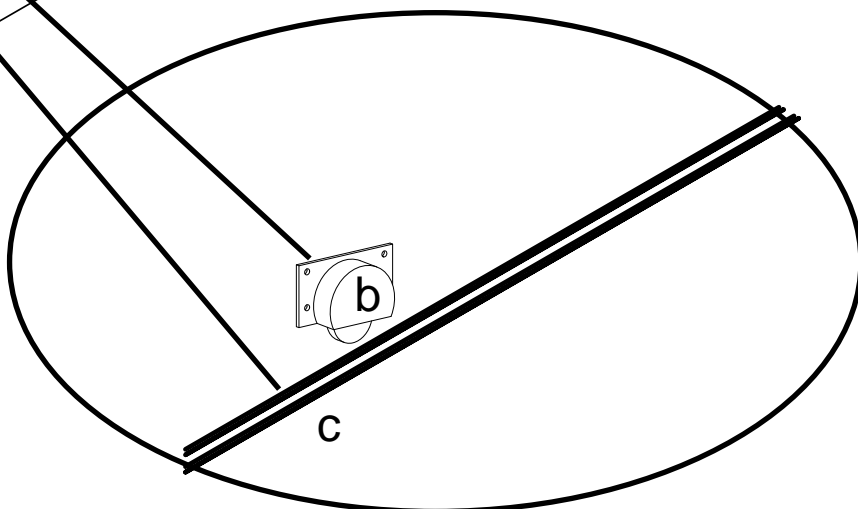
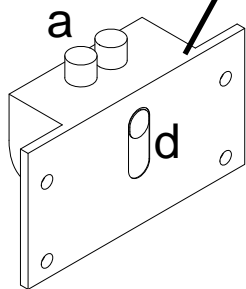
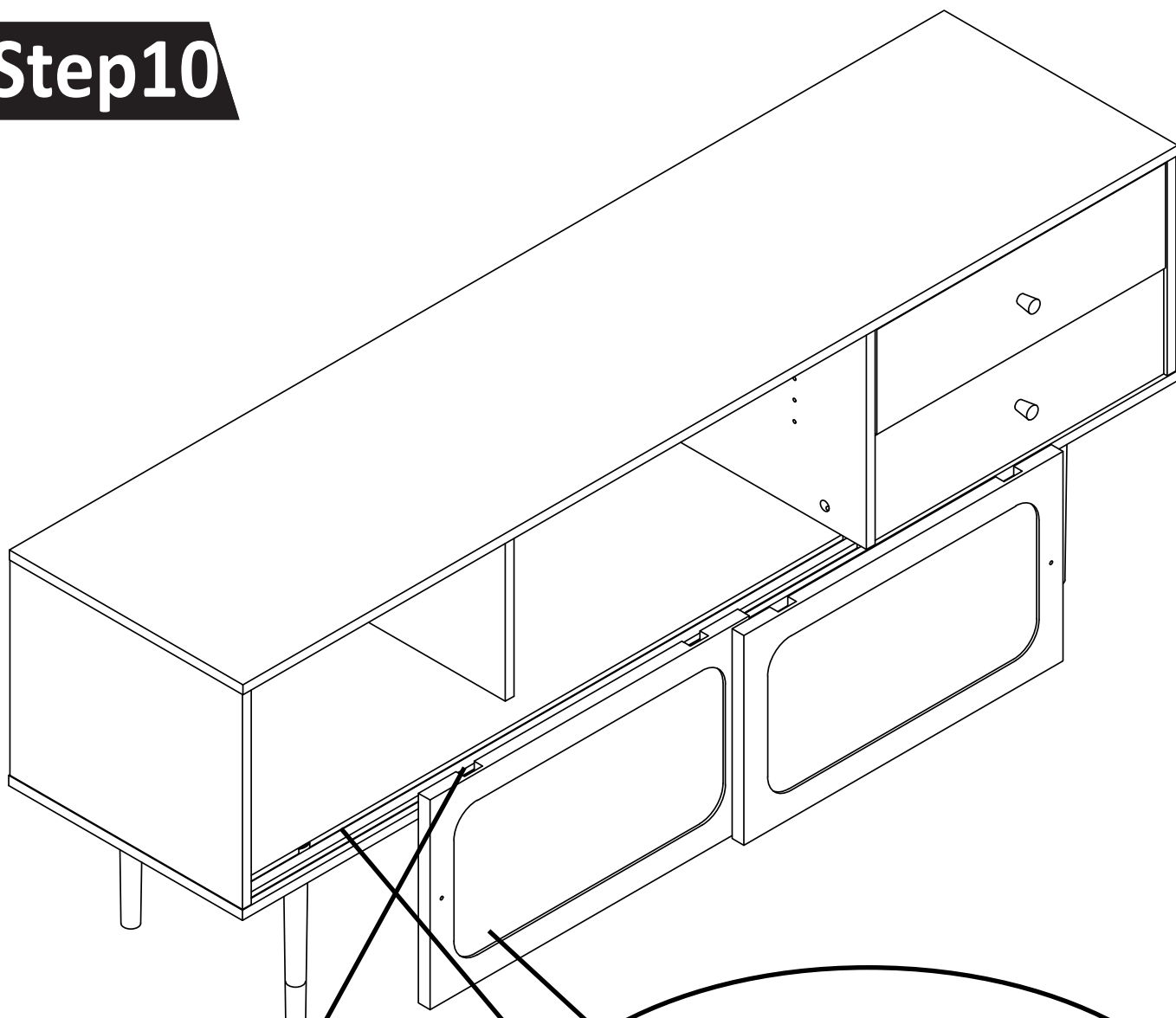


Step 9



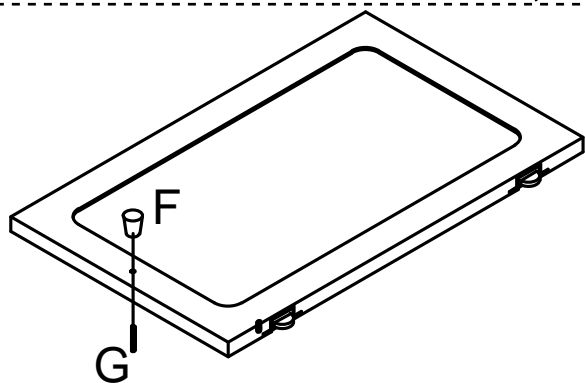
The height of the door can be adjusted by turning the wheel with a screwdriver.

Step 10

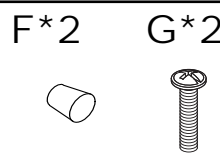


Install the door frame:

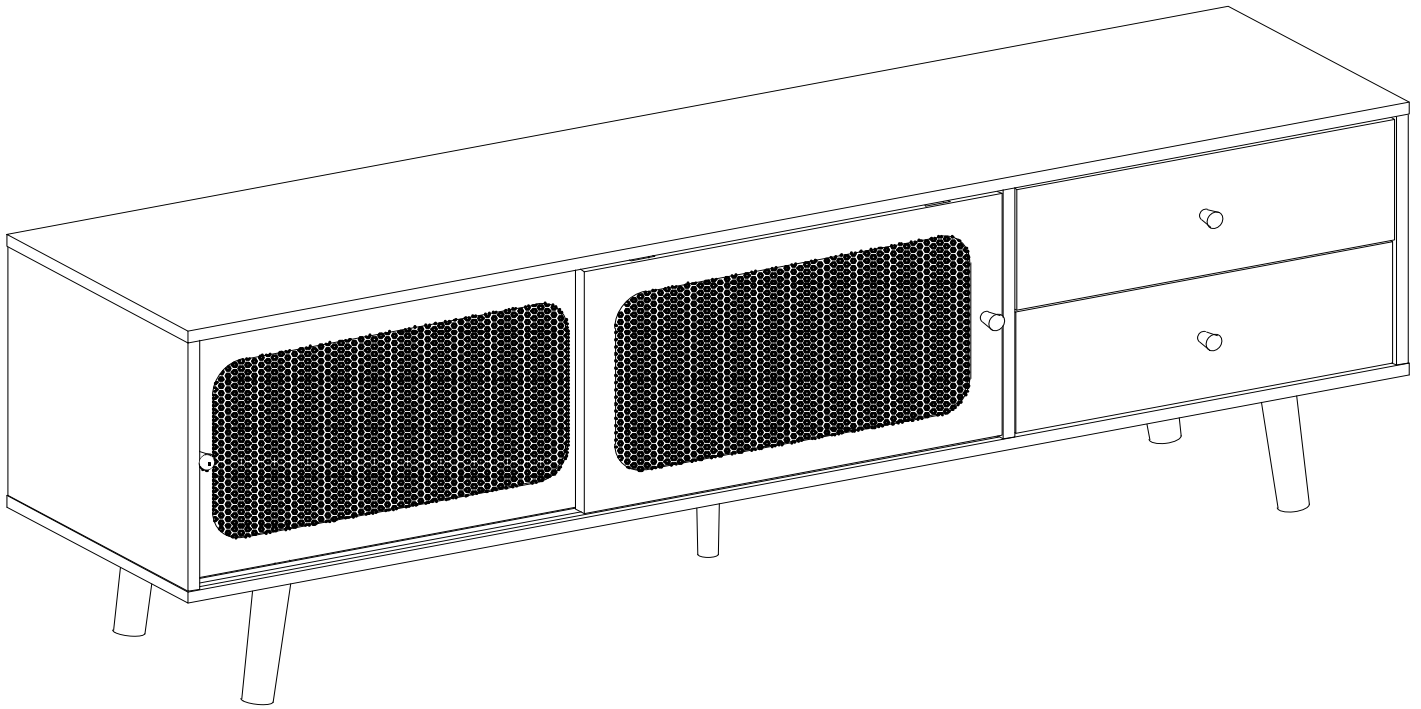
please press the raised portion "a" first, then snap the wheel b under the door frame into the slot c, eventually push d upward to lock.



When the rattan height is adjusted, please install the rattan door inside first, then install the door outside, and eventually the handle F.



Step 11



Great job. You're done!