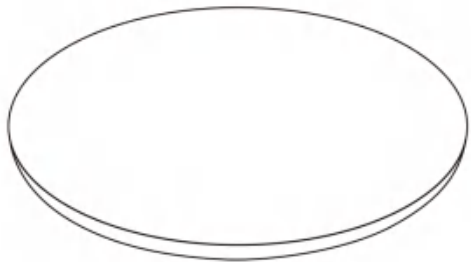
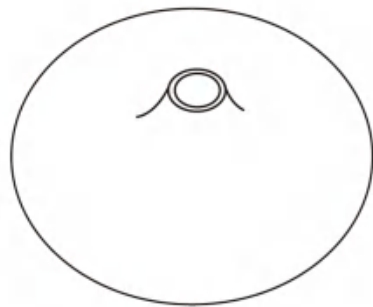


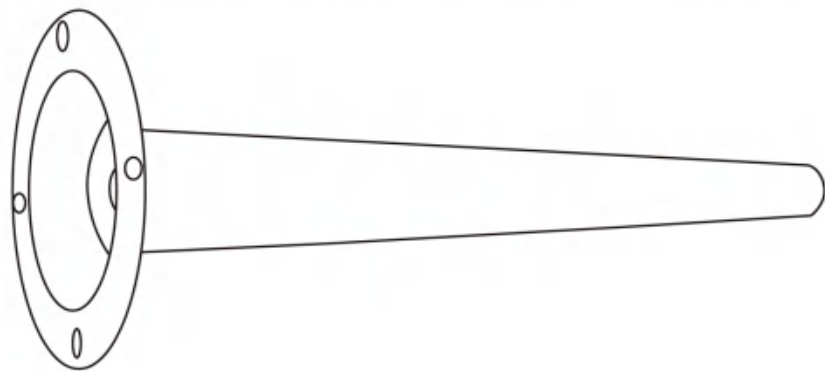
# Part List



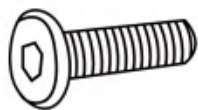
**A** Desktop×1



**B** Base×1

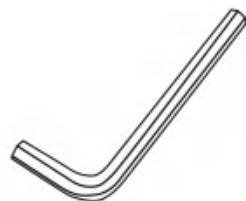


**C** Steady×1



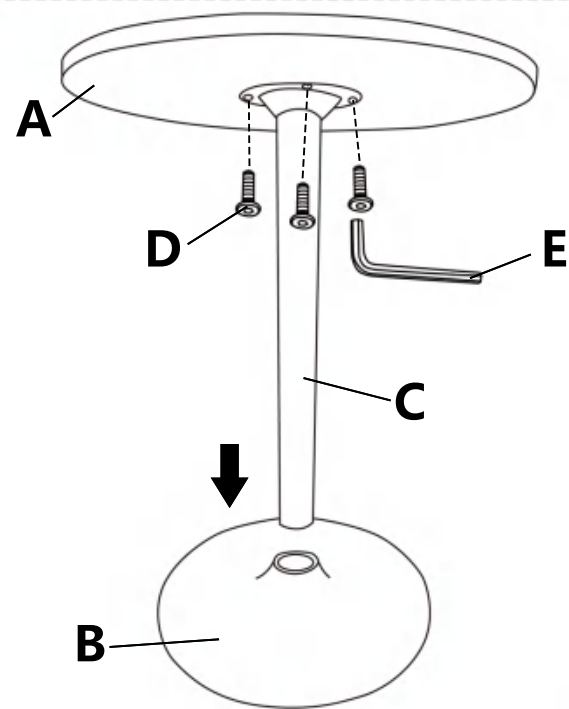
M 6×14

**D** Screw×4



**E** Wrench×1

1.



2.

