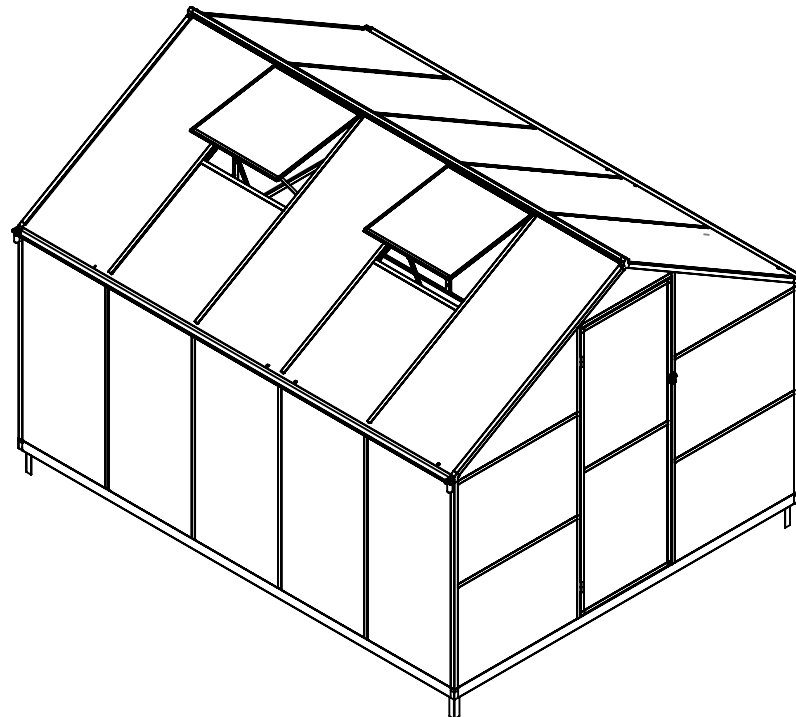
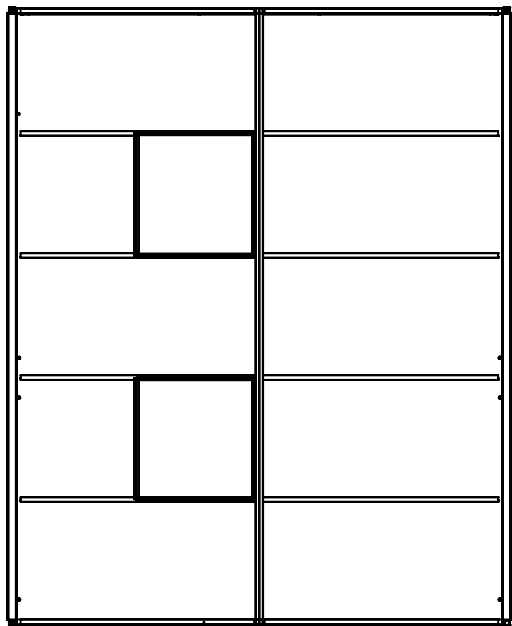
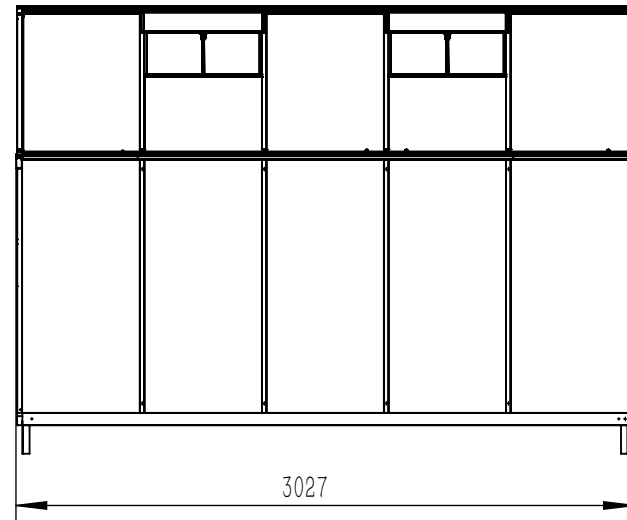
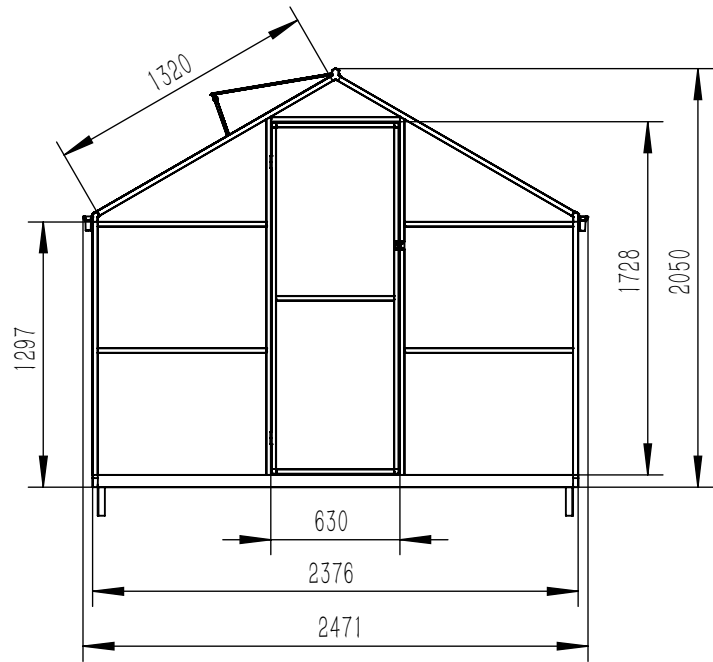
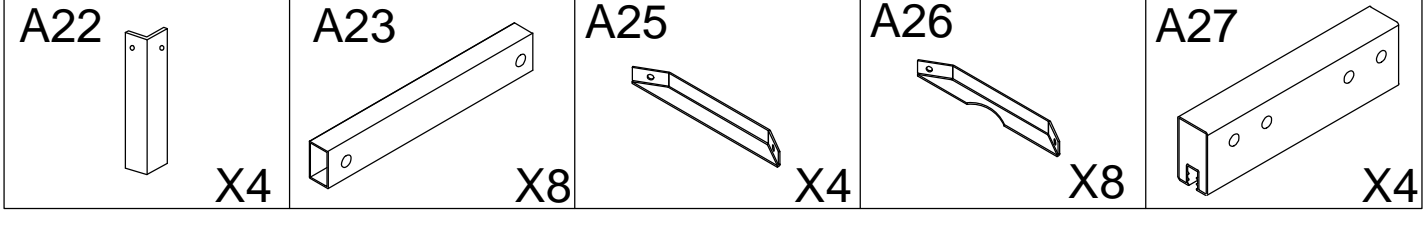
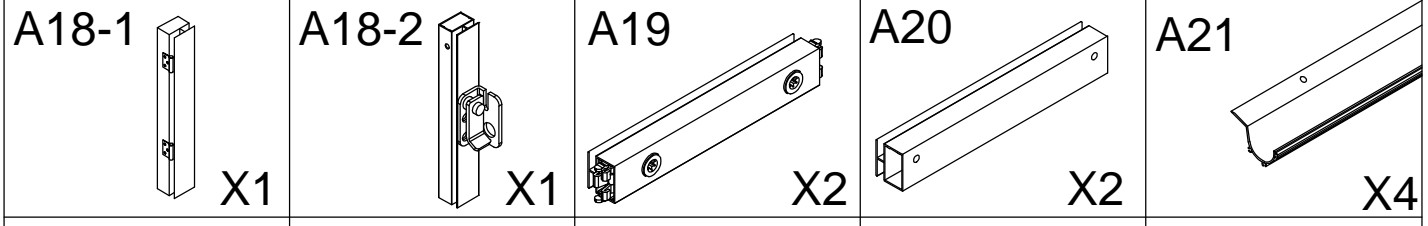
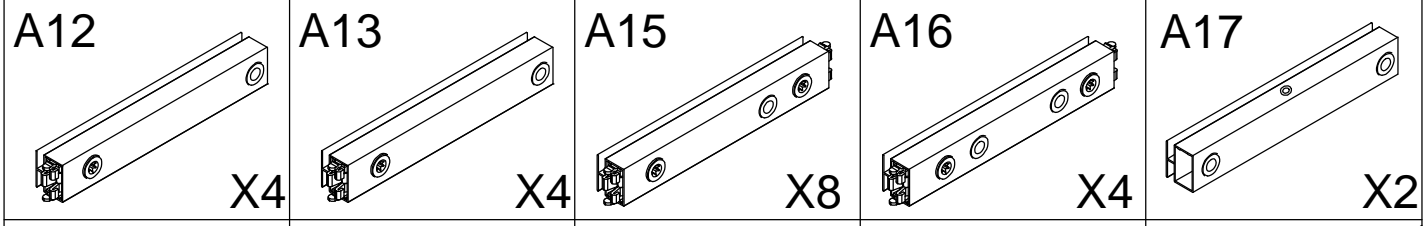
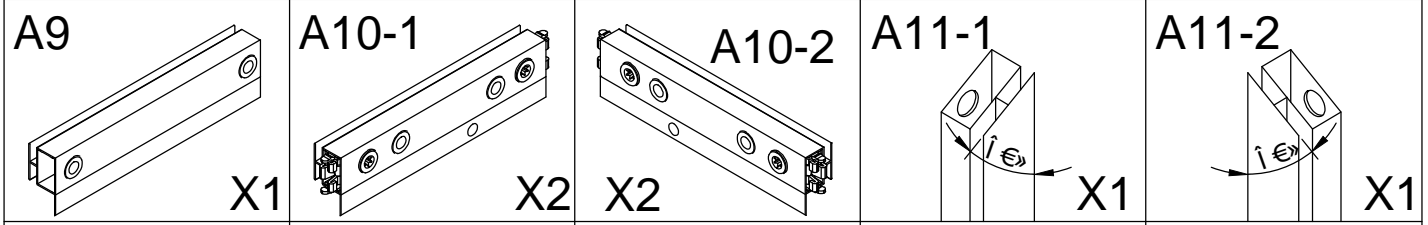
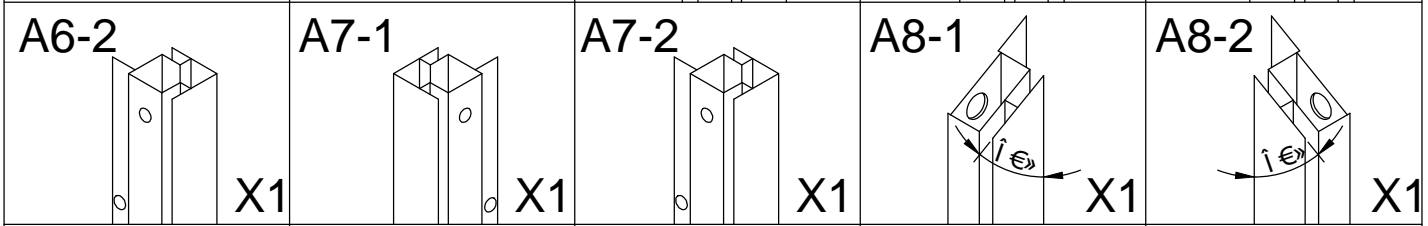
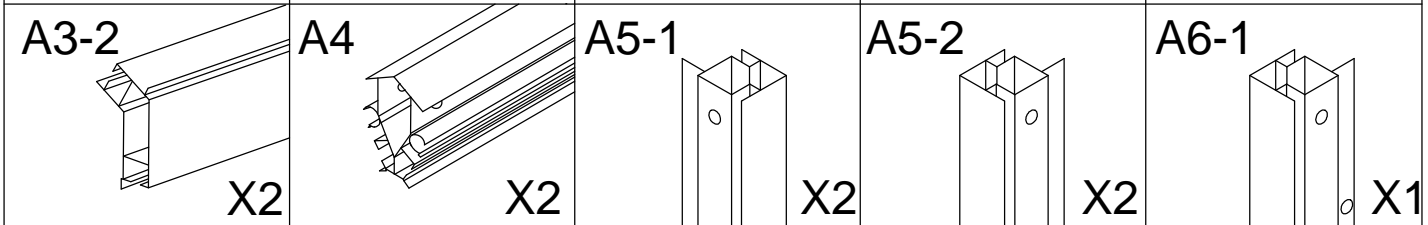
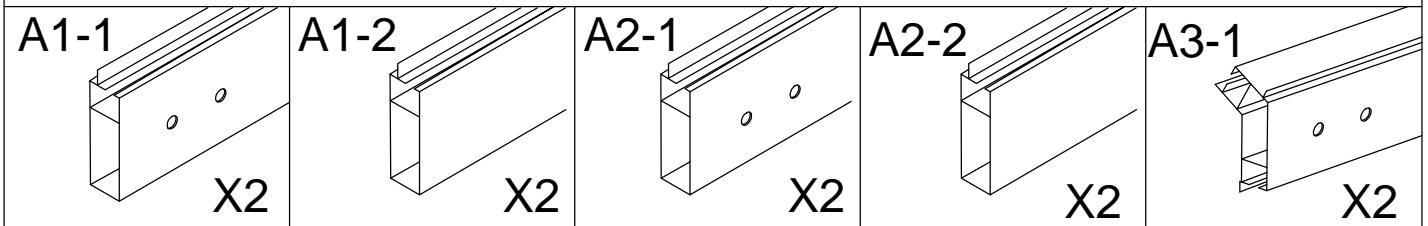
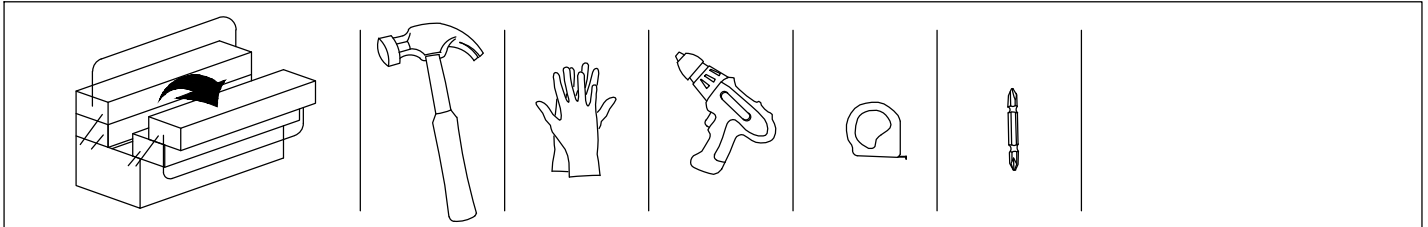
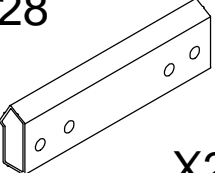
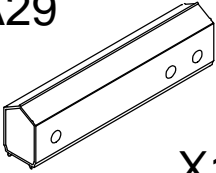
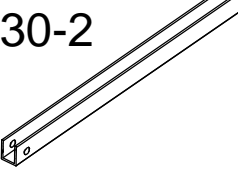
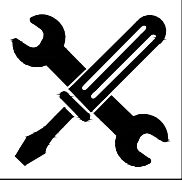
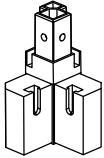
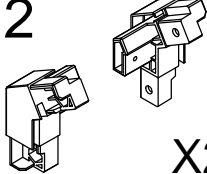
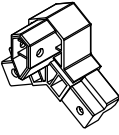
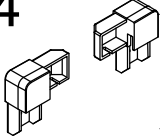
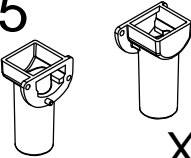
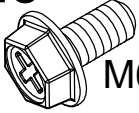

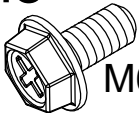

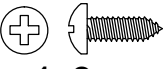
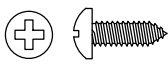
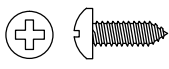


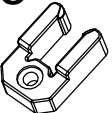
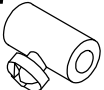
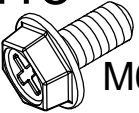
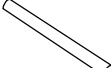
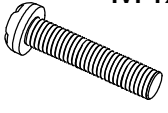
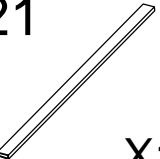
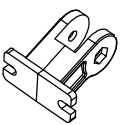




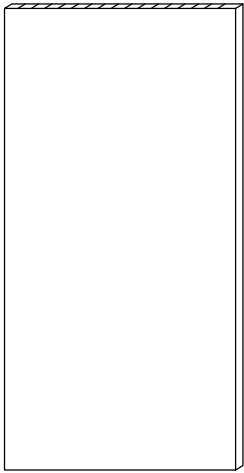
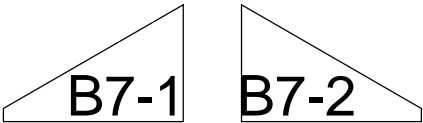
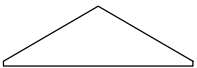
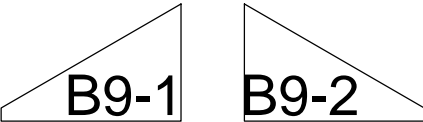
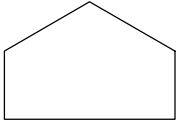
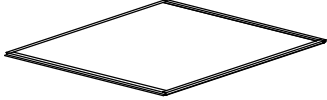
YGF-01

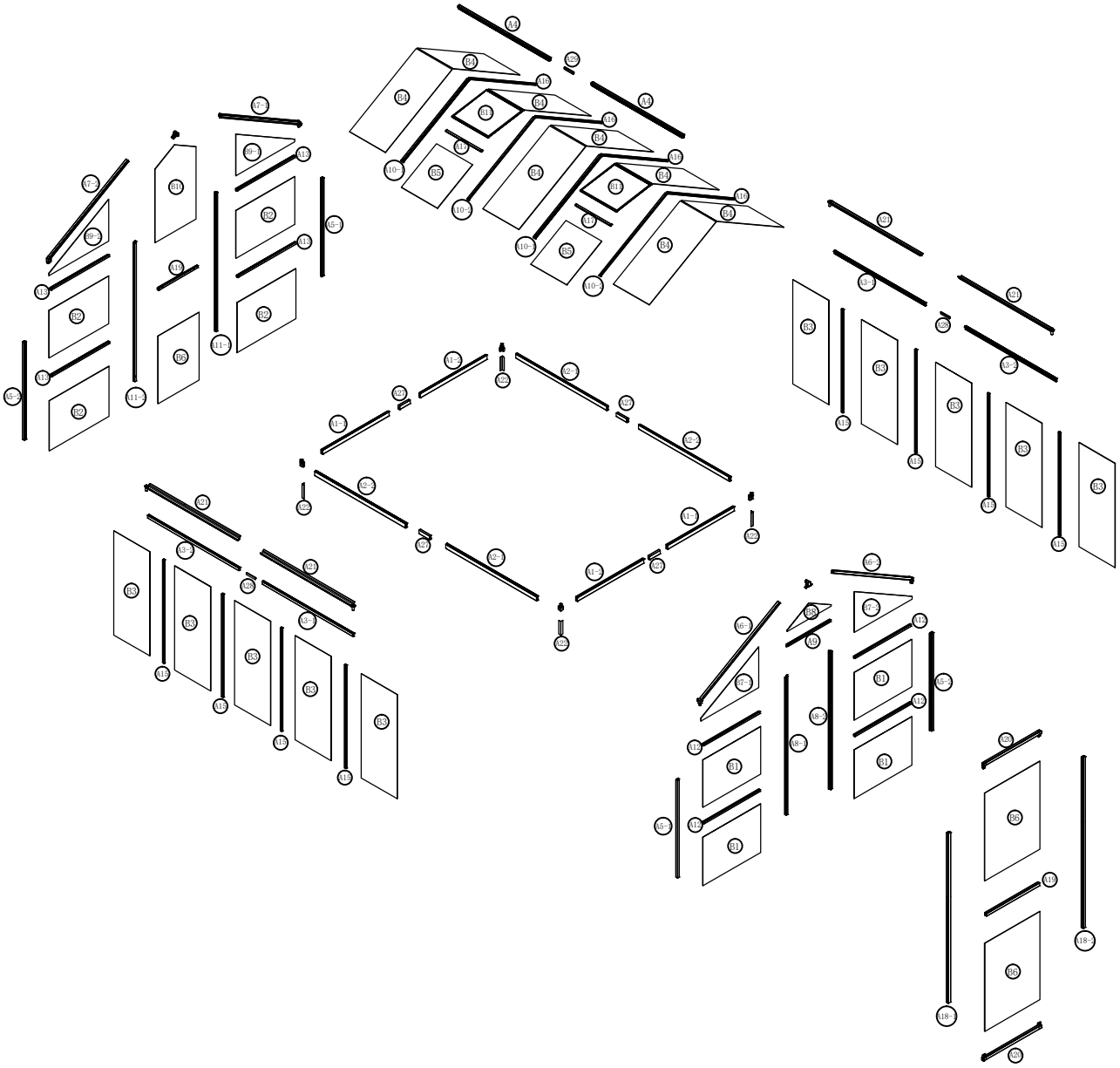
302x247x205cm

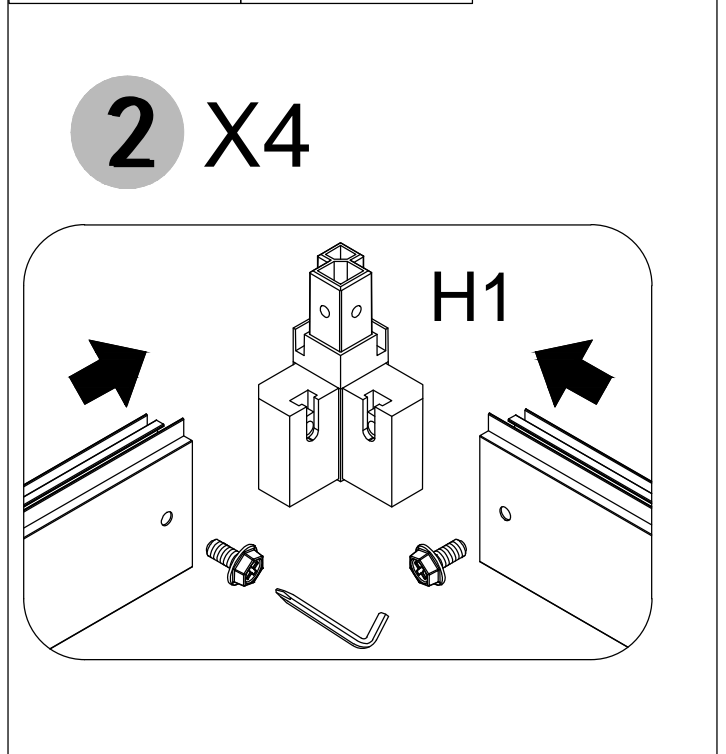
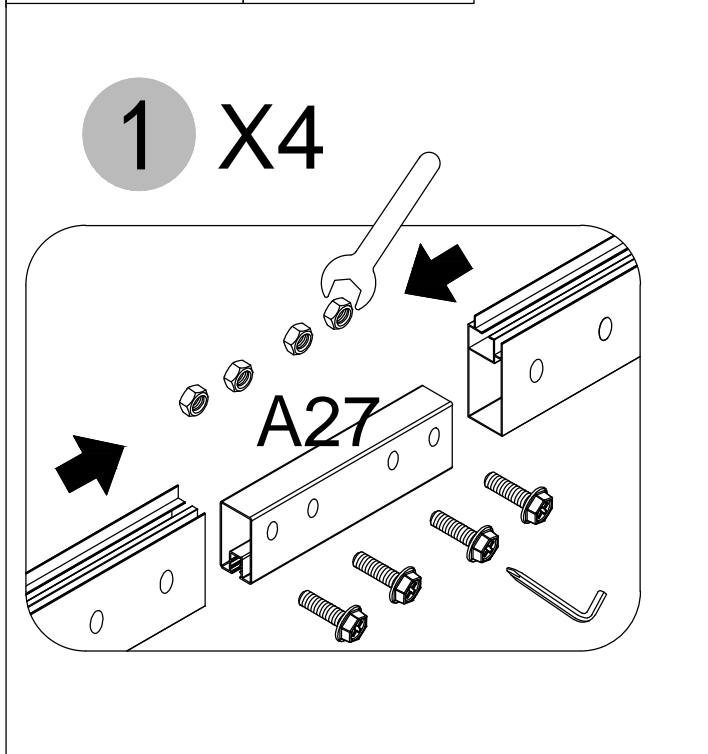
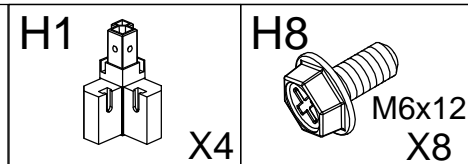
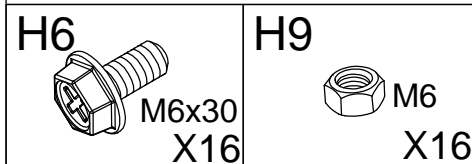
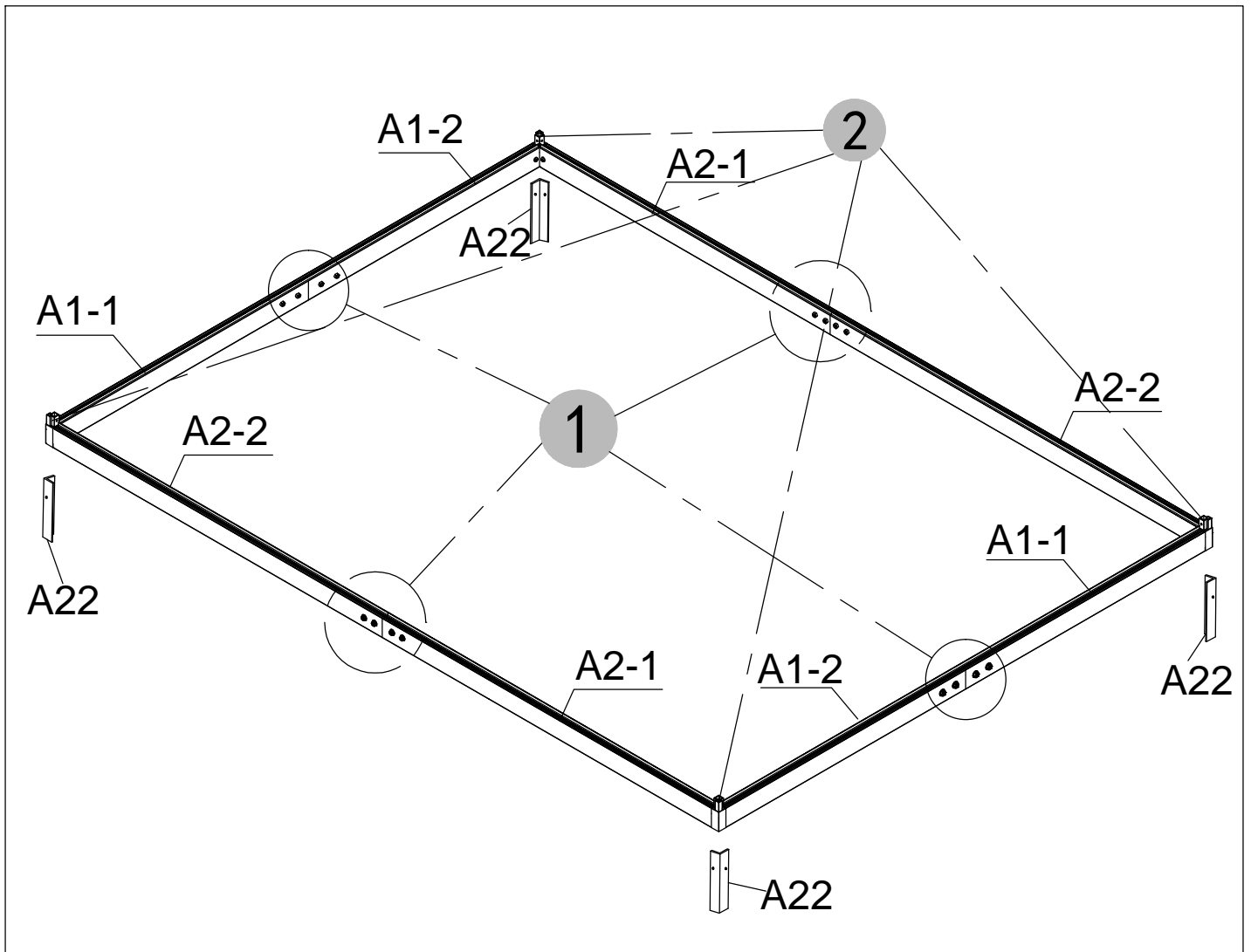


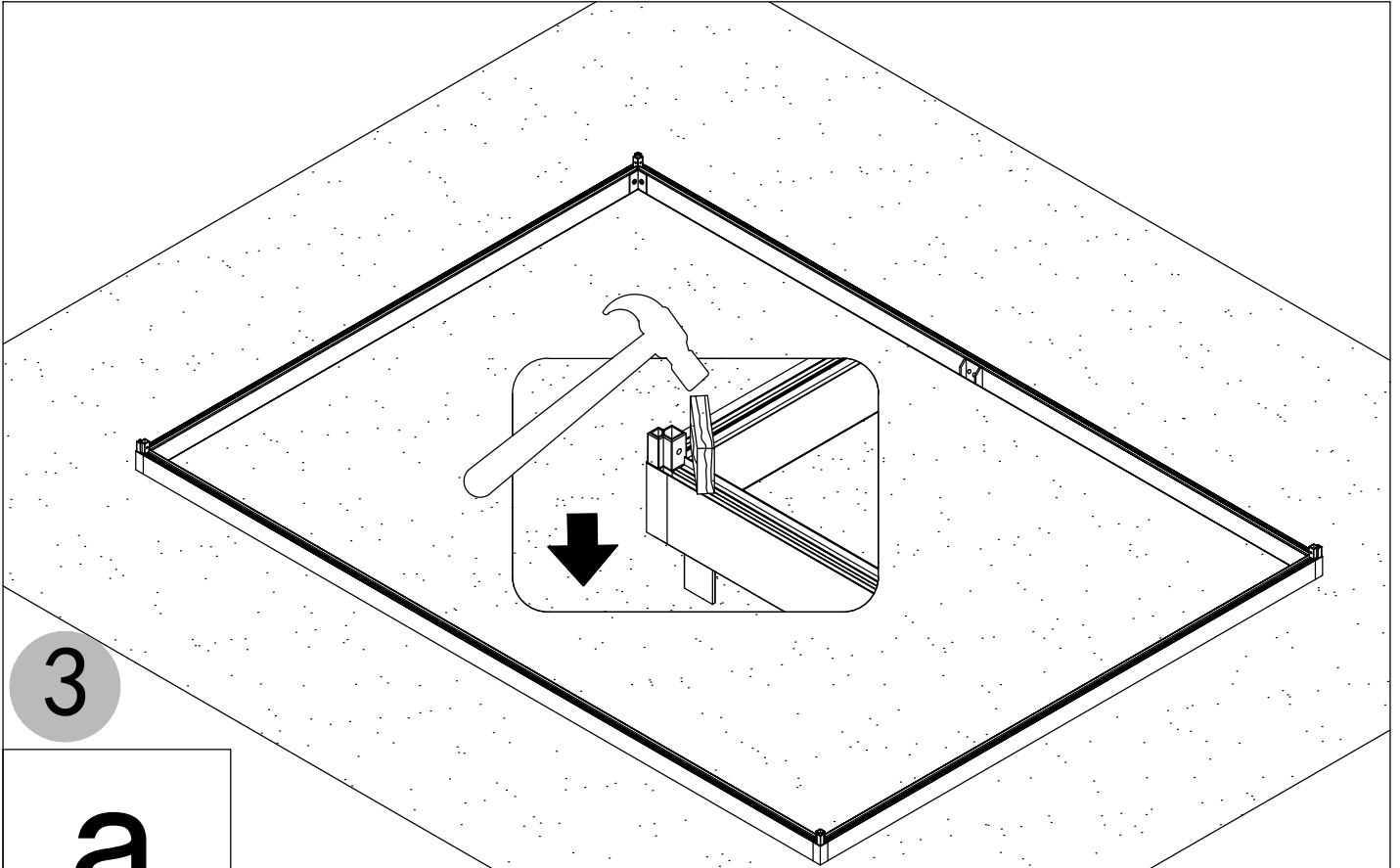


<p>A28</p>  <p>X2</p>	<p>A29</p>  <p>X1</p>	<p>A30-2</p>  <p>X2</p>		
	<p>H1</p>  <p>X4</p>	<p>H2</p>  <p>X2</p>	<p>H3</p>  <p>X2</p>	<p>H4</p>  <p>X2</p>
<p>H5</p>  <p>X2</p>	<p>H6</p>  <p>M6x30 X22</p>	<p>H7</p>  <p>X1</p>	<p>H8</p>  <p>M6x12 X66</p>	<p>H9</p>  <p>M6 X30</p>
<p>H11</p>  <p>4x8 X20</p>	<p>H12</p>  <p>5x10 X4</p>	<p>H13</p>  <p>5x16 X16</p>	<p>H14</p>  <p>X1</p>	<p>H15</p>  <p>X1</p>
<p>H16</p>  <p>X2</p>	<p>H17</p>  <p>X4</p>	<p>H18</p>  <p>M6x20 X24</p>	<p>H19</p>  <p>X2</p>	<p>H20</p>  <p>M4X40 X2</p>
<p>H21</p>  <p>X12</p>	<p>A30-1</p>    <p>X2</p>			

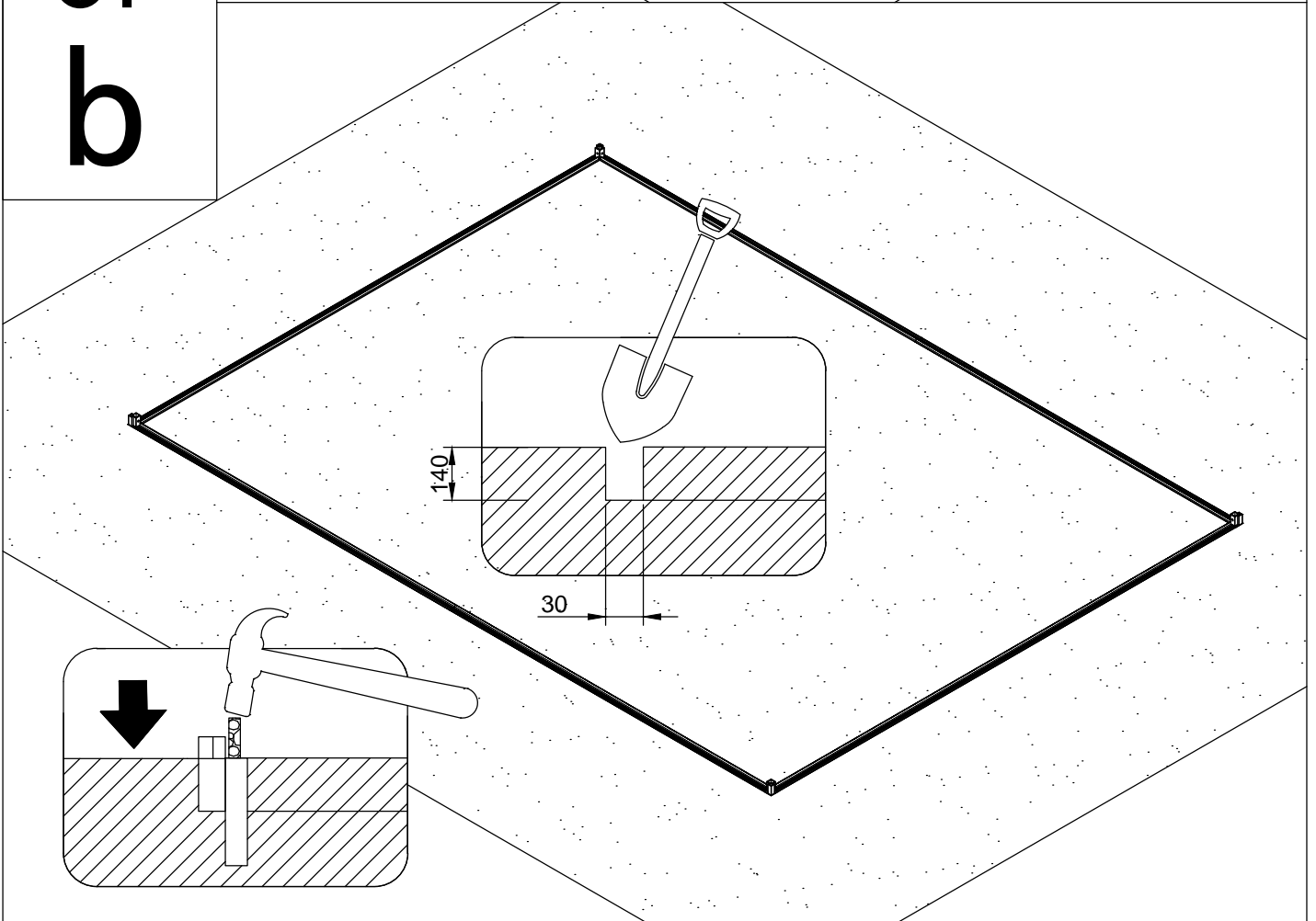
B		B1	4PCS
		B2	4PCS
		B3	10PCS
		B4	8PCS
		B5	2PCS
		B6	3PCS
		B7-1	1PC
		B7-2	1PC
		B8	1PC
		B9-1	1PC
		B9-2	1PC
	B10	1PC	
	B11	2PCS	



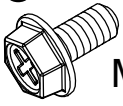




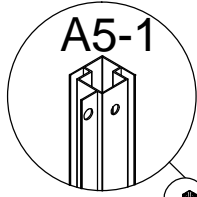
a
or
b



H8

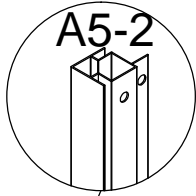


M6x12
X4



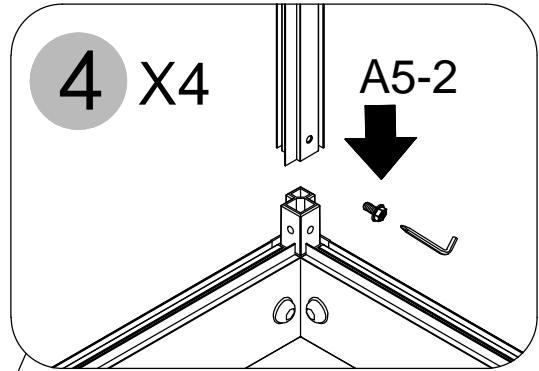
A5-1

A5-1



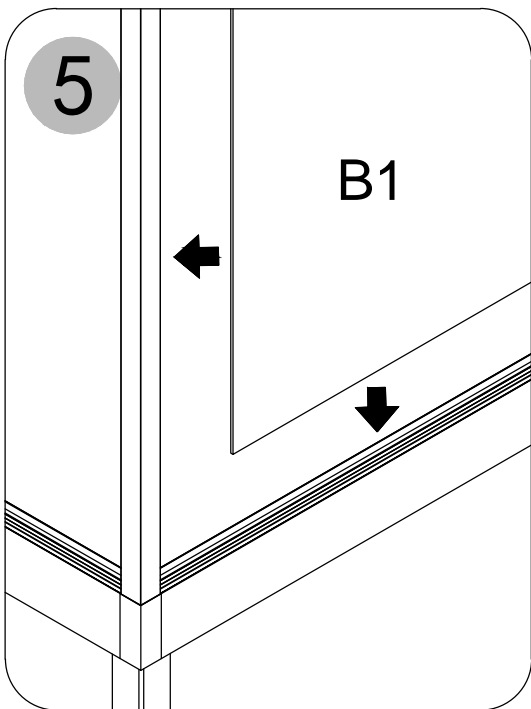
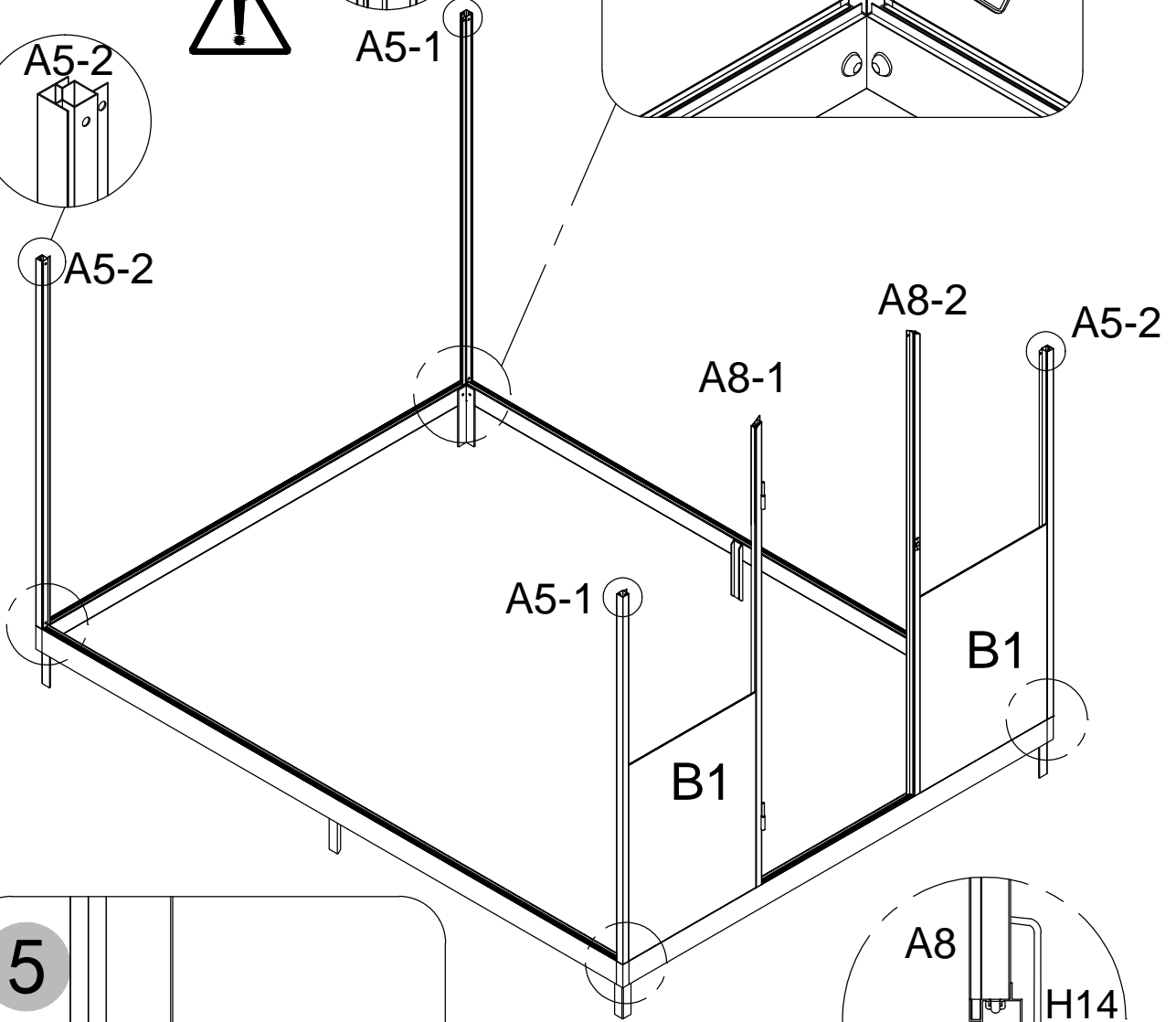
A5-2

A5-2



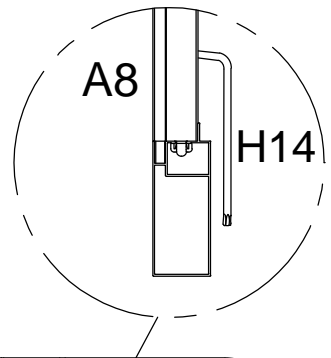
4 X4

A5-2



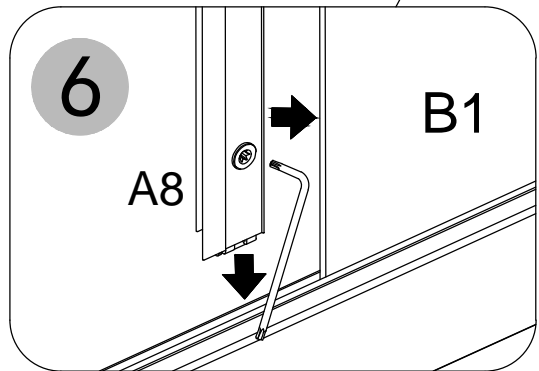
5

B1



A8

H14

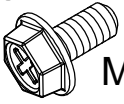


6

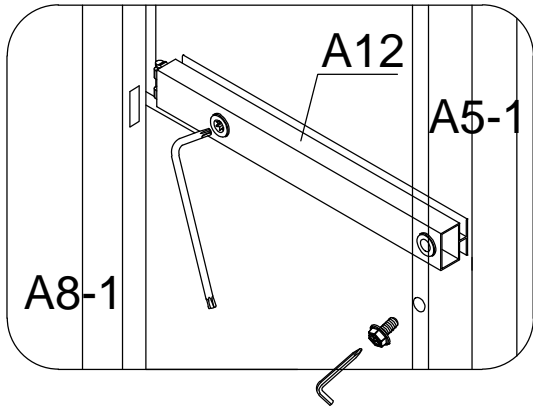
A8

B1

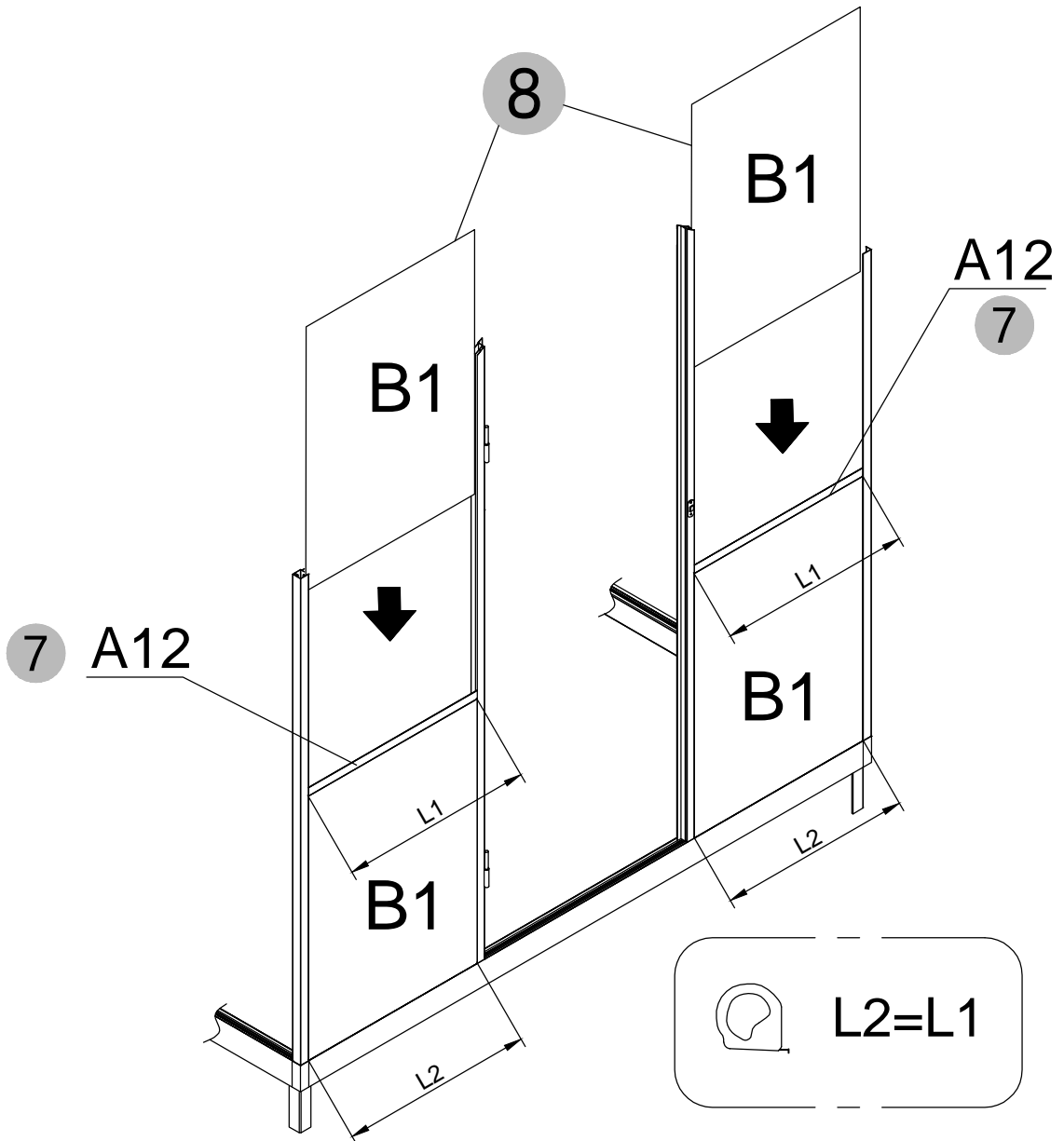
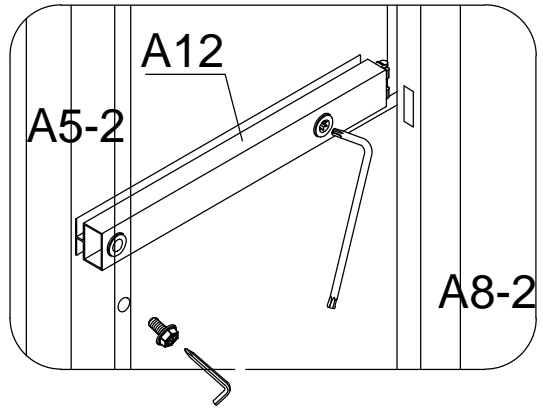
H8



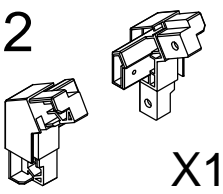
M6x12
X2



7

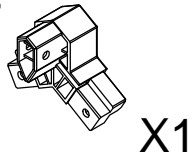


H2



X1

H3

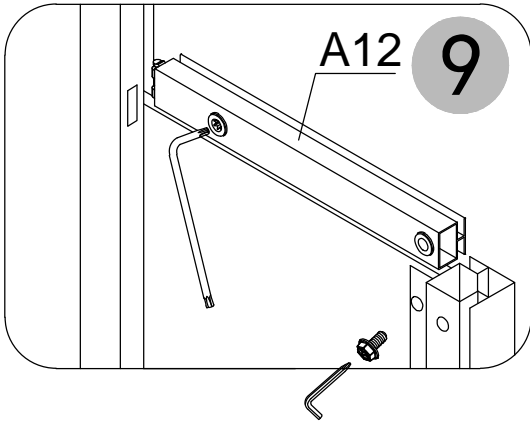


X1

H8

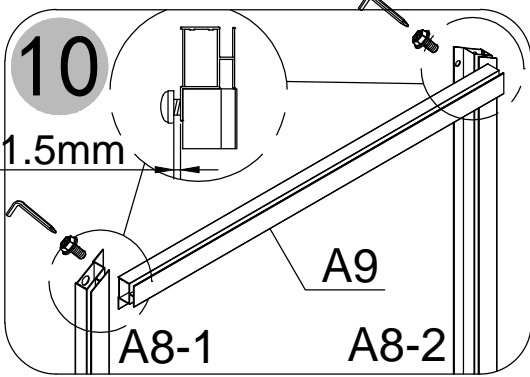


M6x12
X8



A12

9



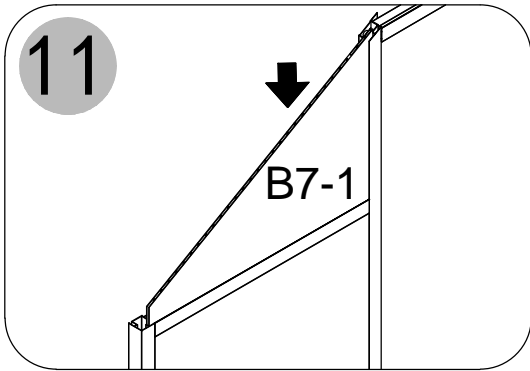
10

1.5mm

A9

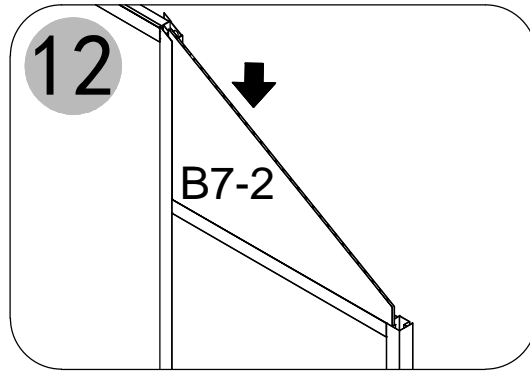
A8-1

A8-2



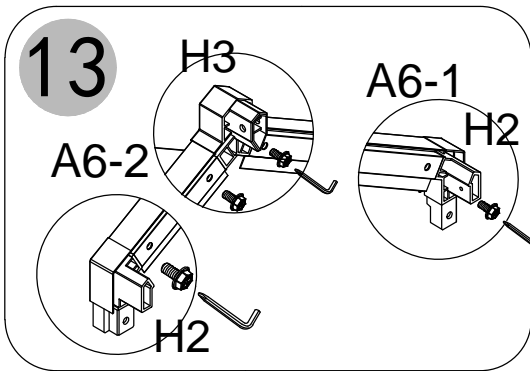
11

B7-1



12

B7-2



13

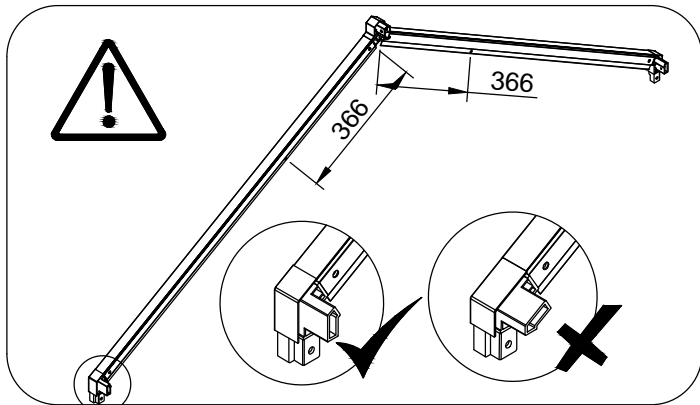
H3

A6-1

H2

A6-2

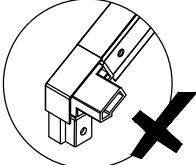
H2



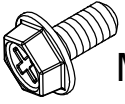
366

366

366

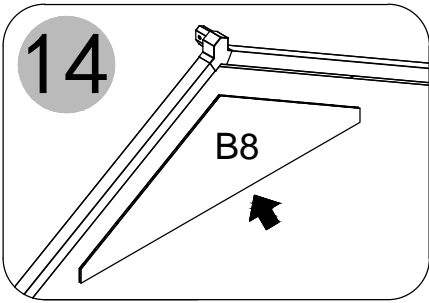


H8

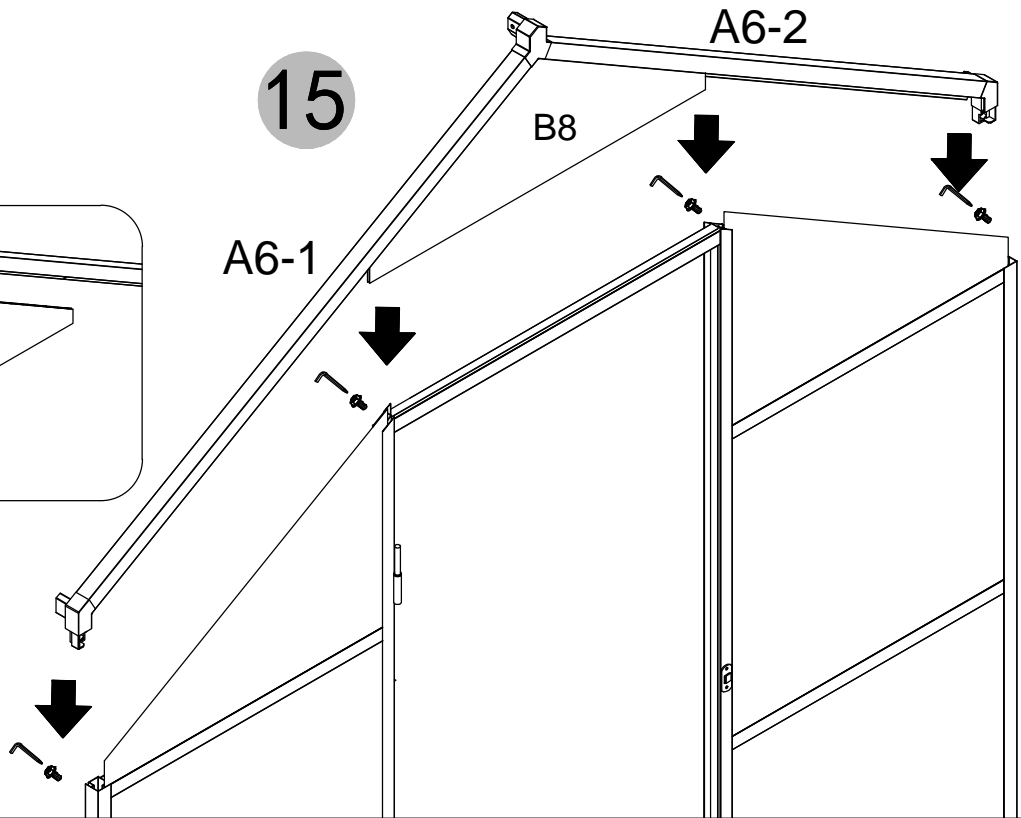


M6x12
X4

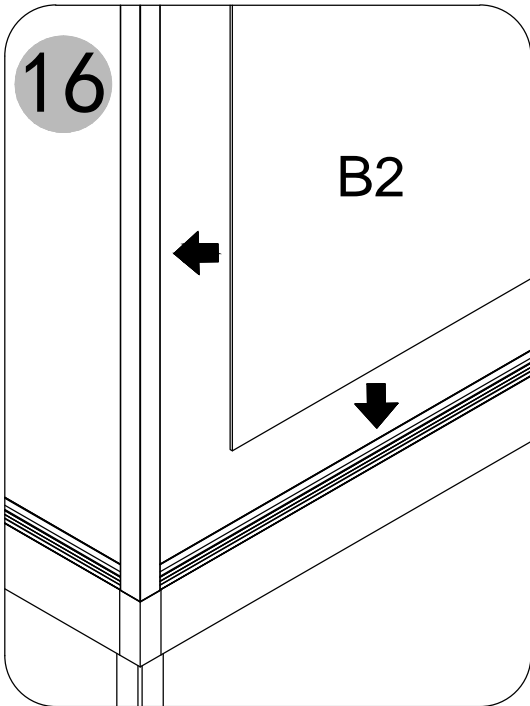
14



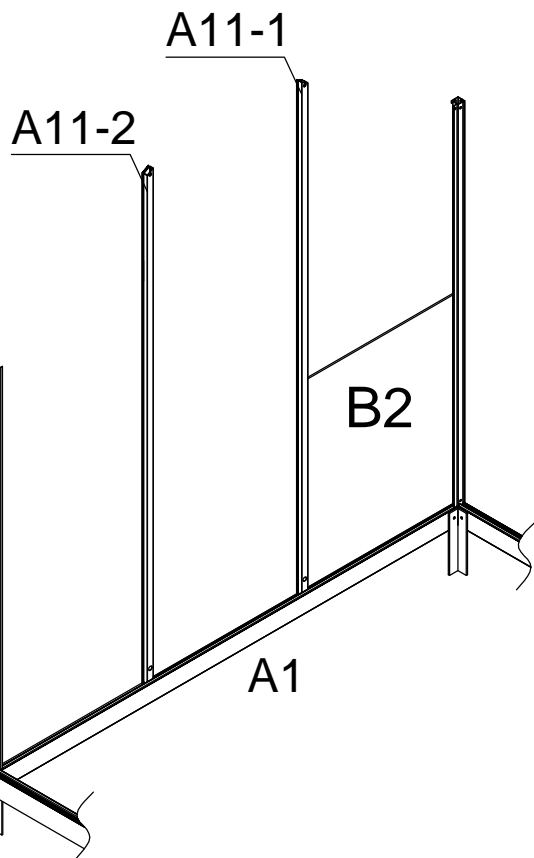
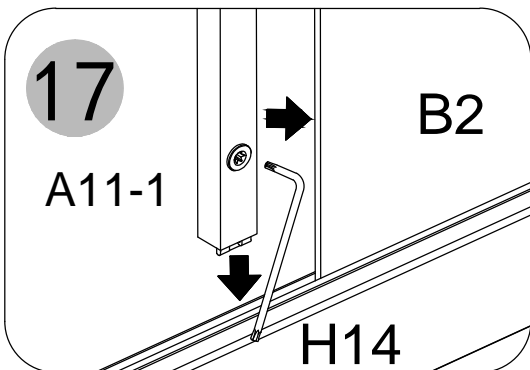
15



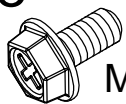
16



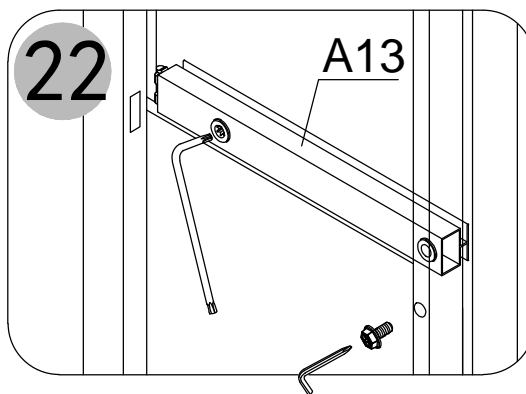
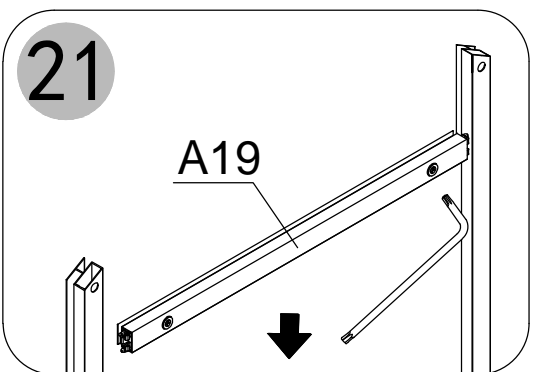
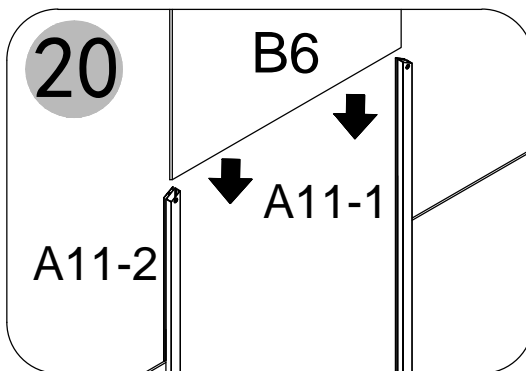
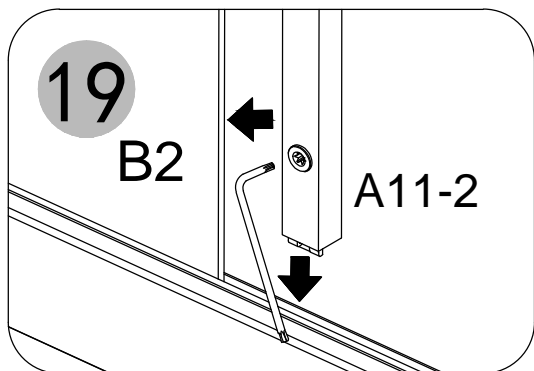
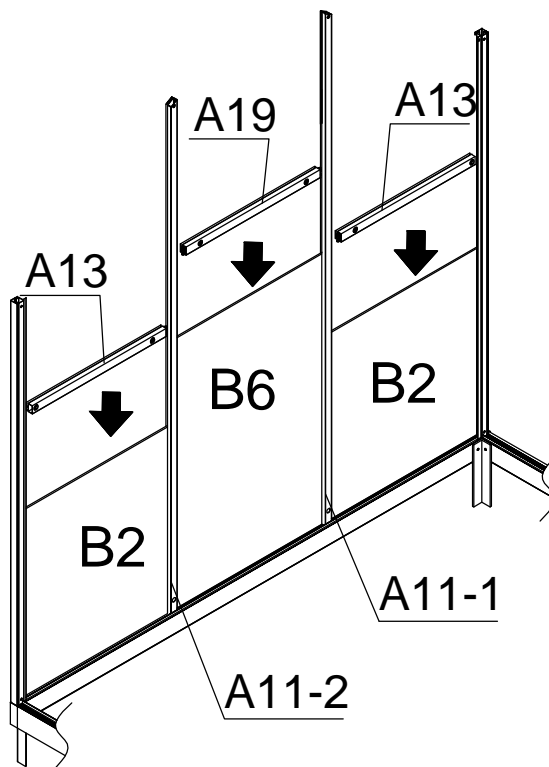
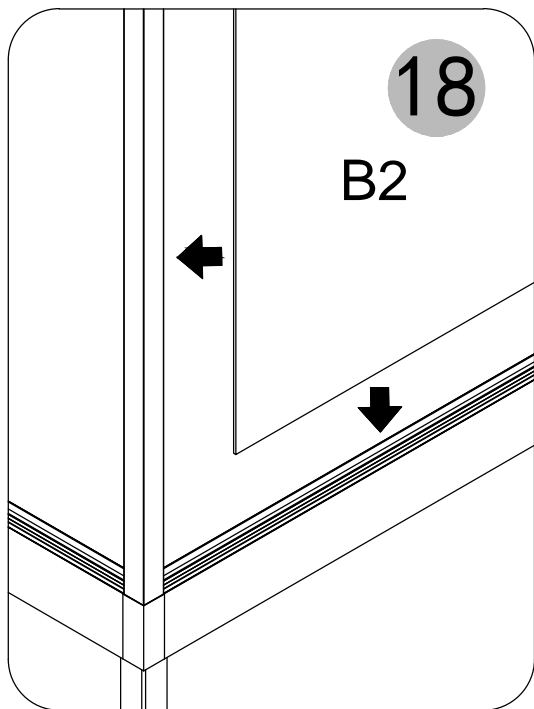
17



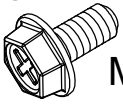
H8



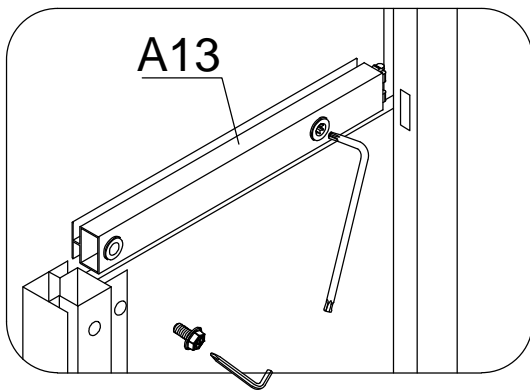
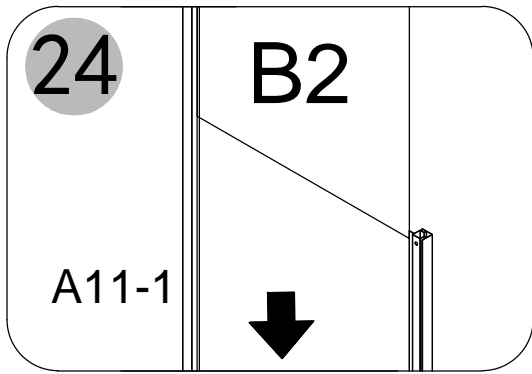
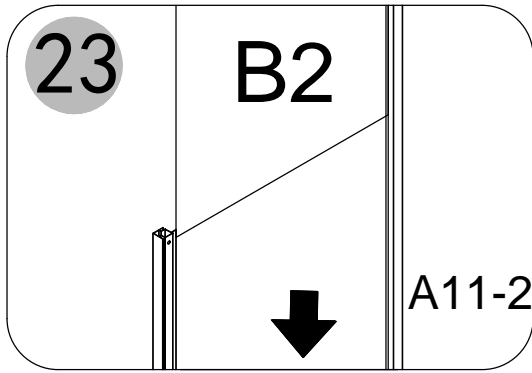
M6x12
X2



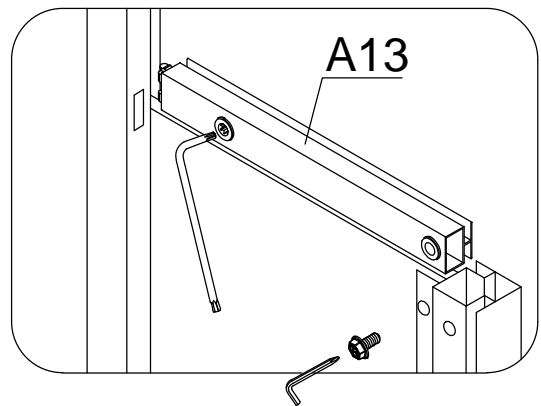
H8



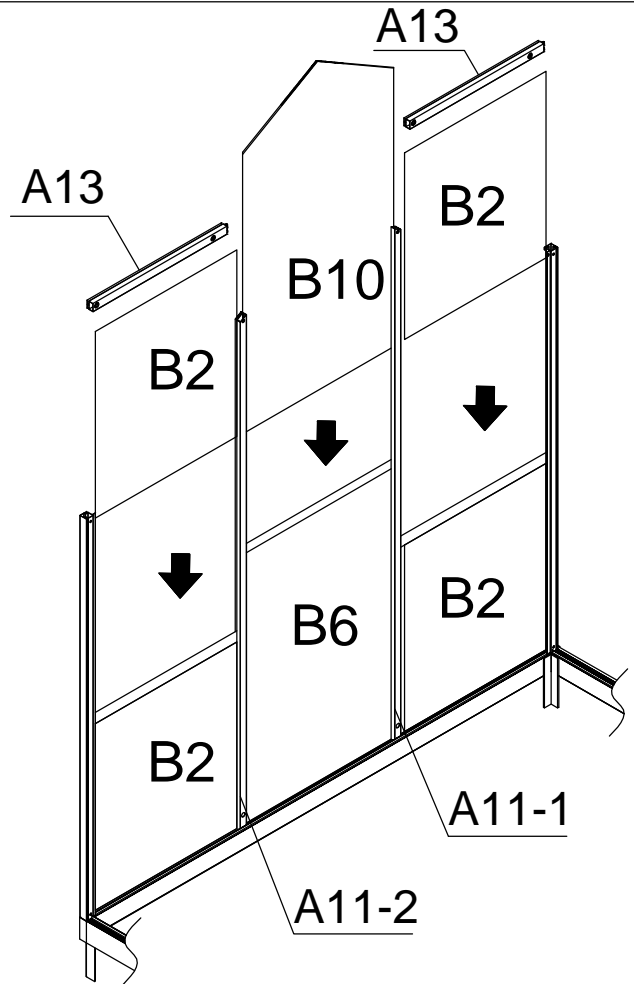
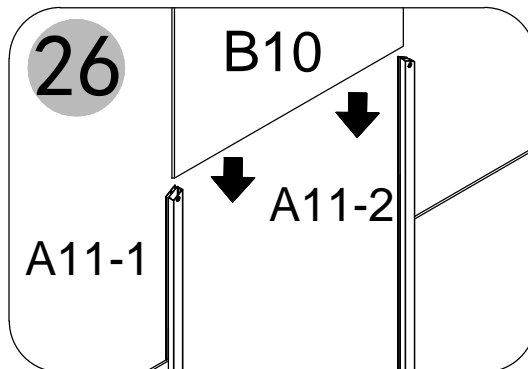
M6x12
X2

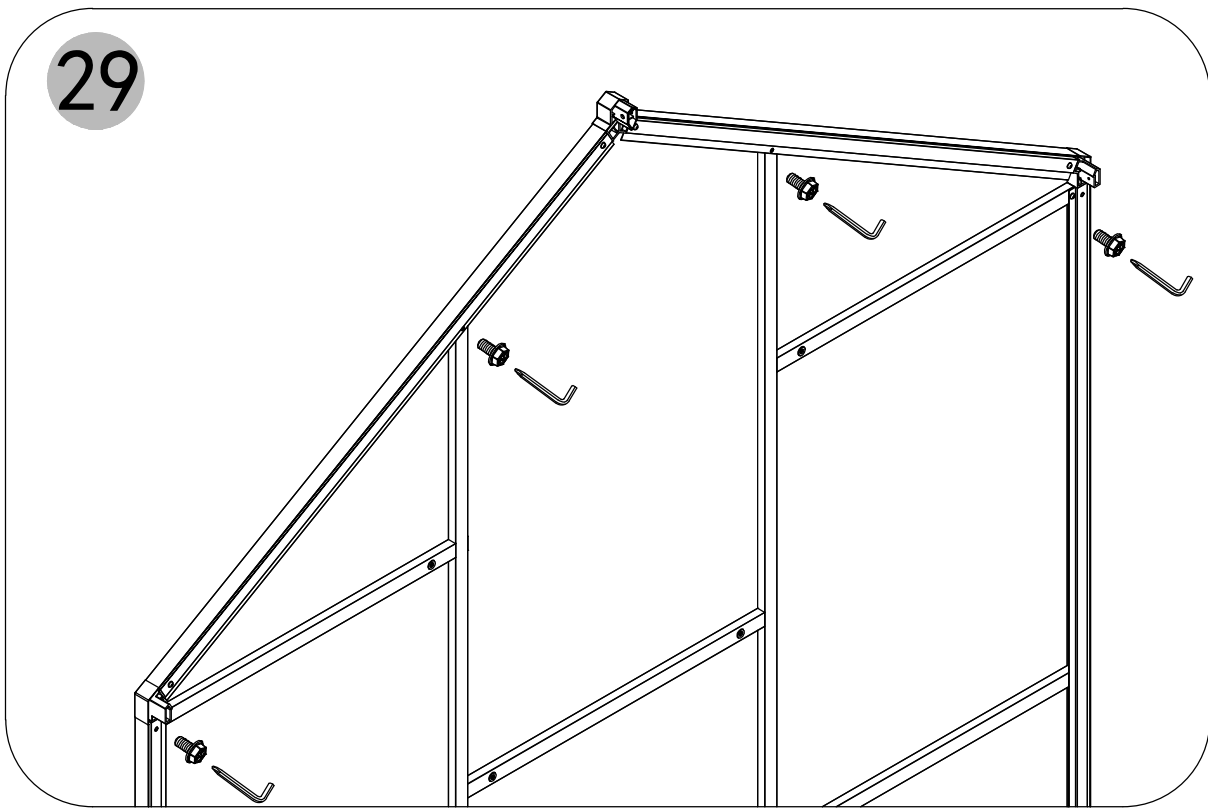
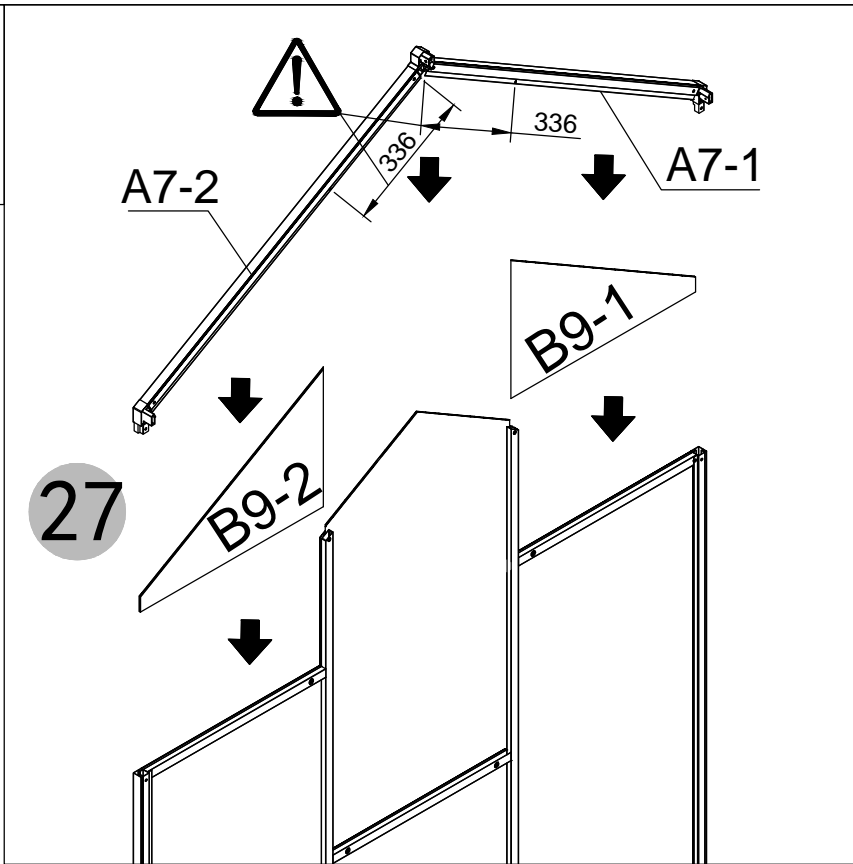
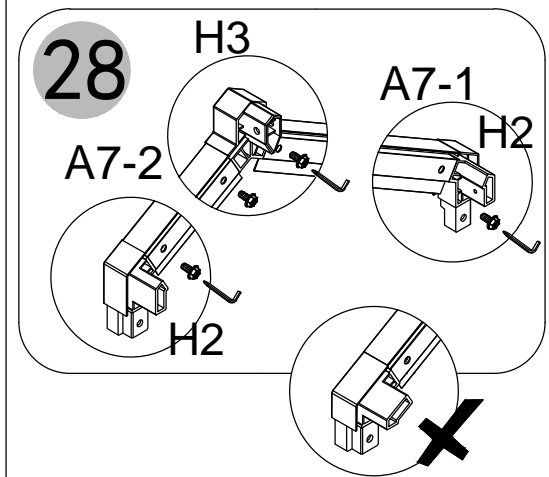
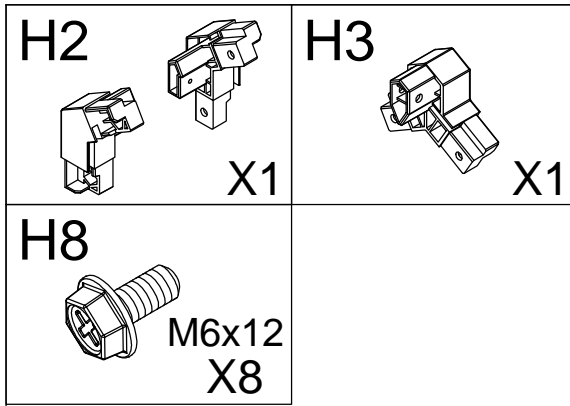


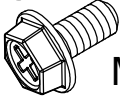
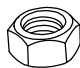

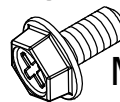
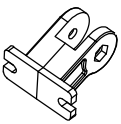

25

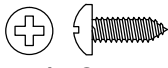


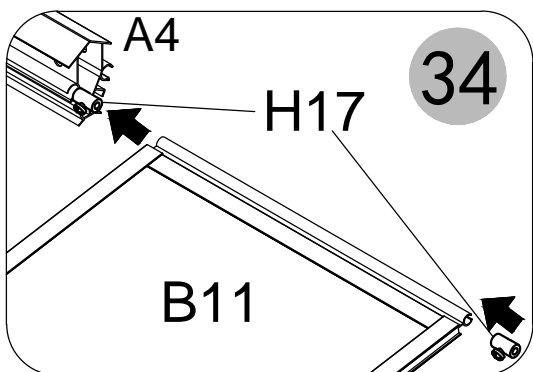
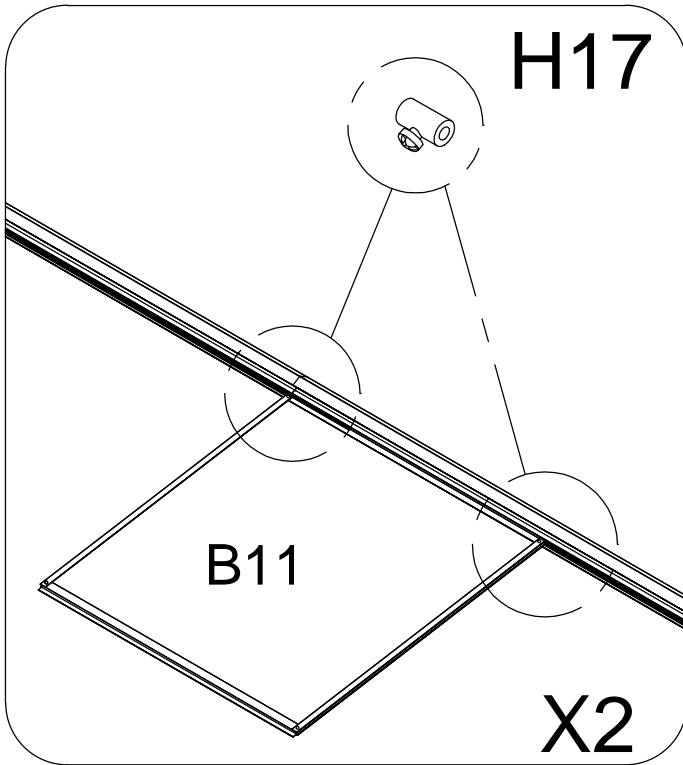
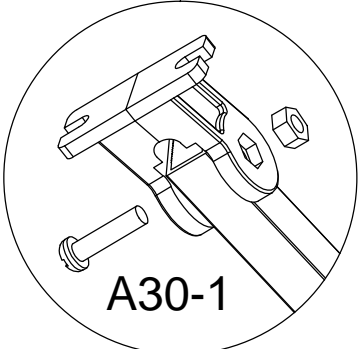
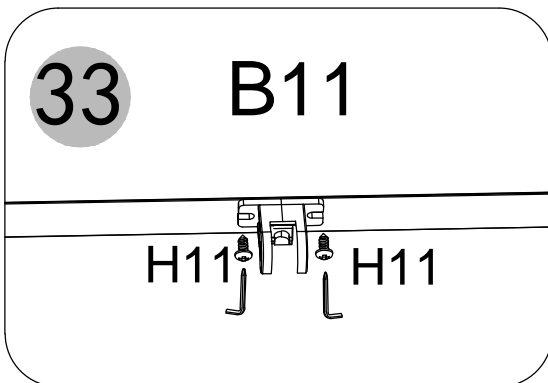
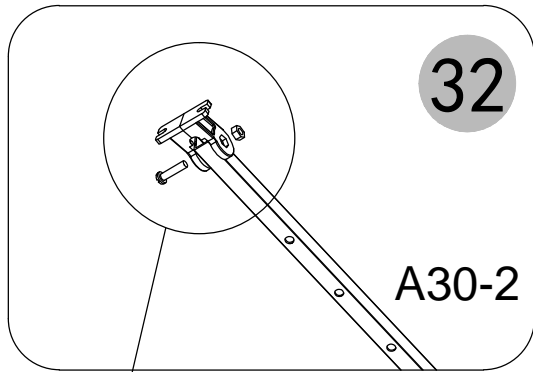
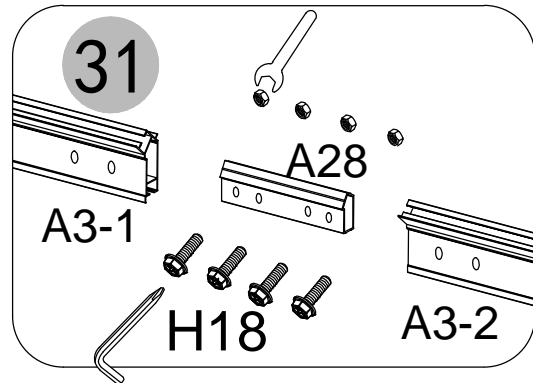
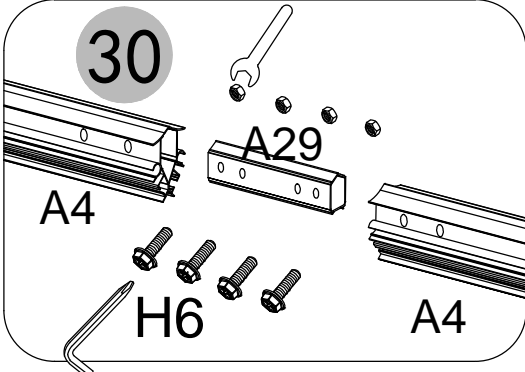
H7



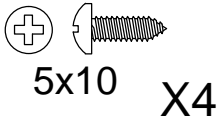


H6  M6x30 X4	H9  M6 X12	H17  X4	H18  M6x20 X8	A30-1   X2
---	---	---	---	--

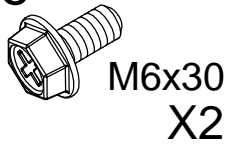
H11  4x8 X4
--



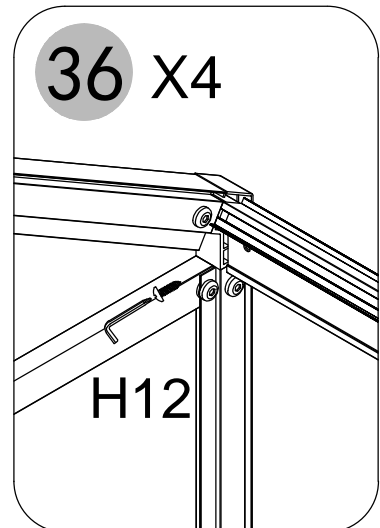
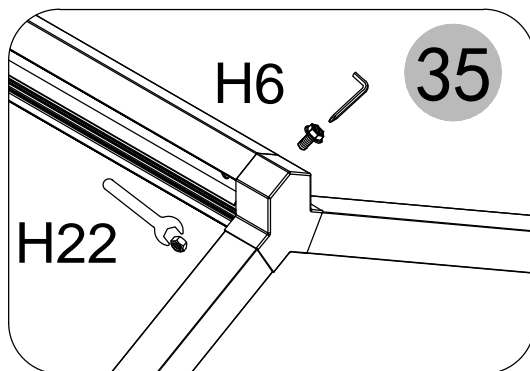
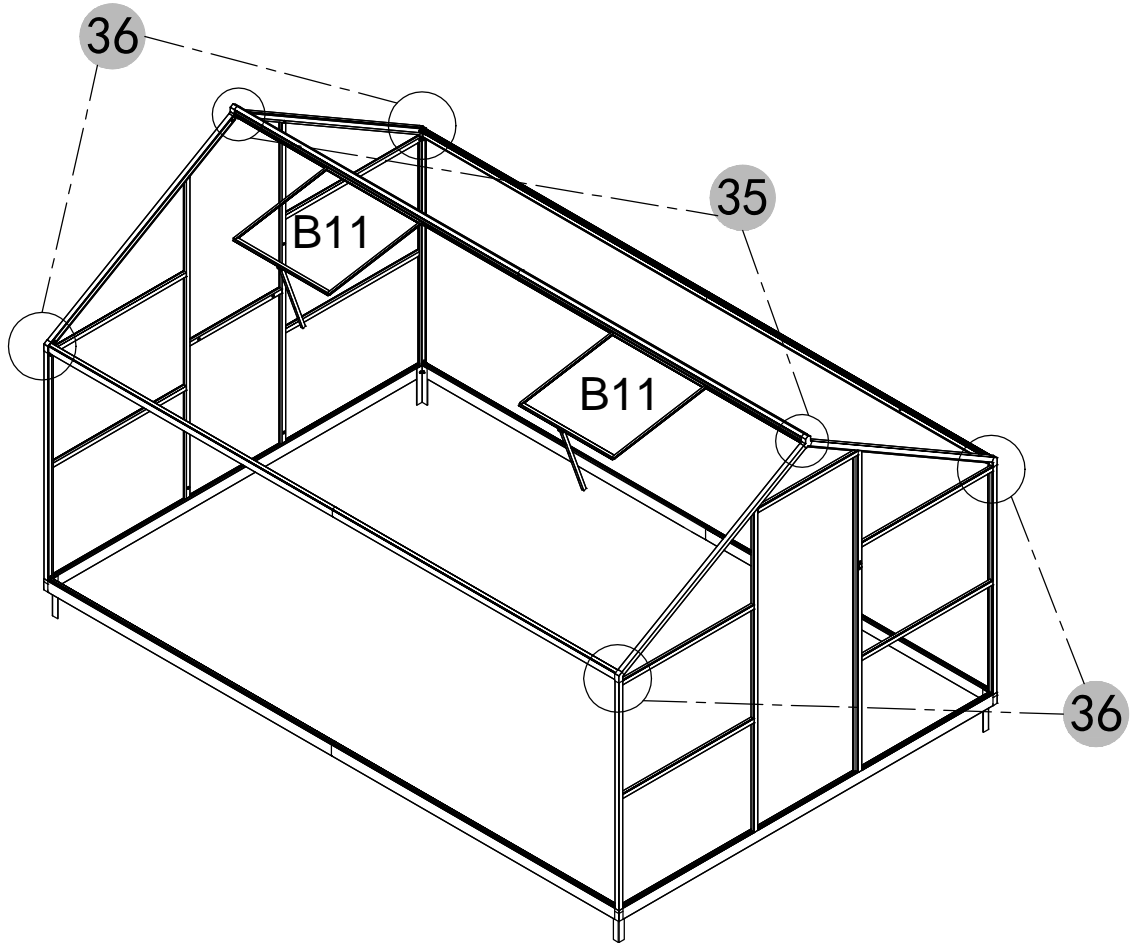
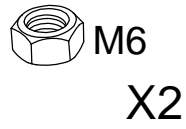
H12

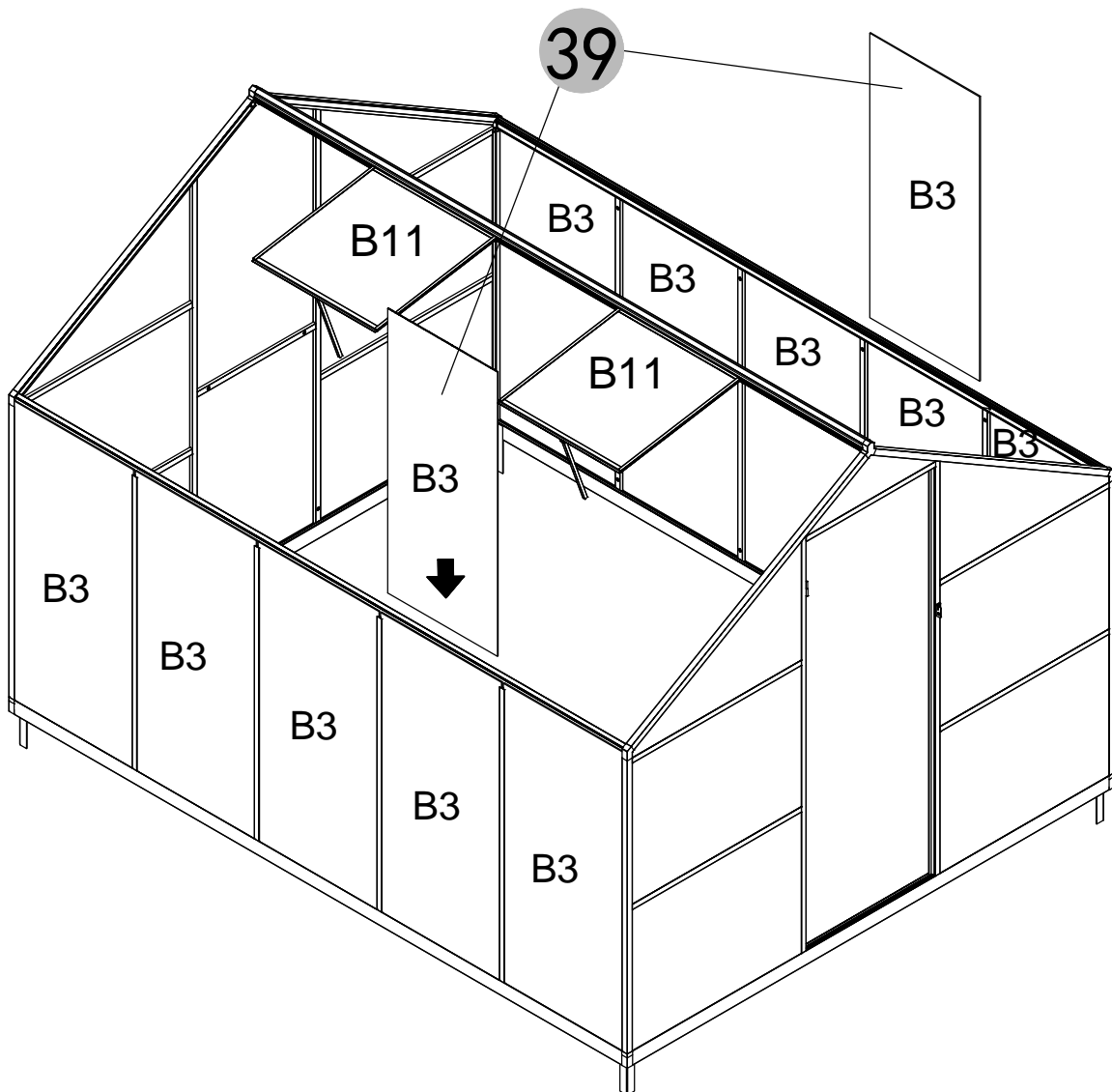
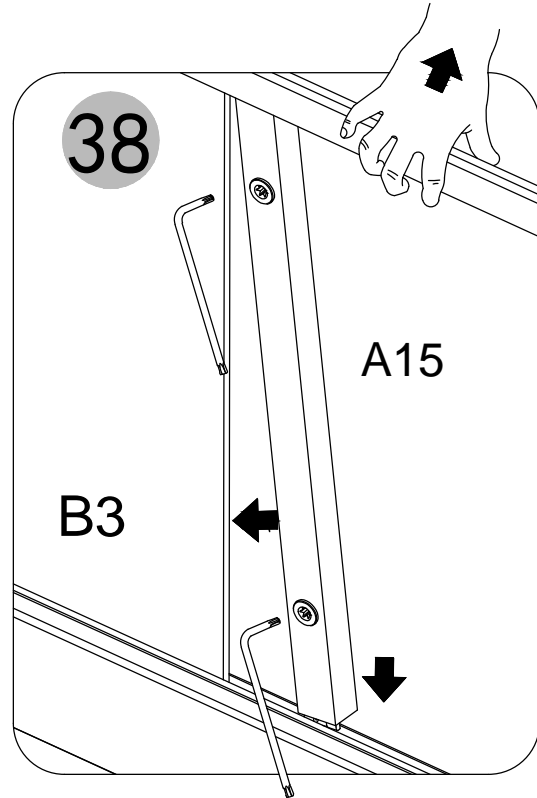
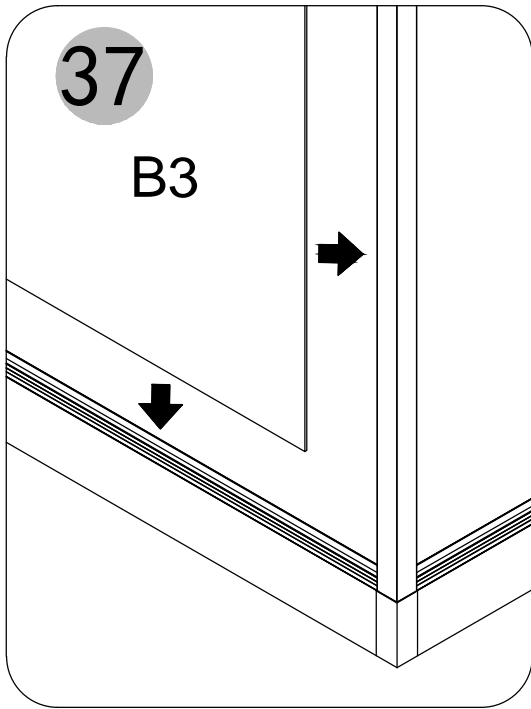


H6

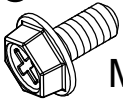


H9

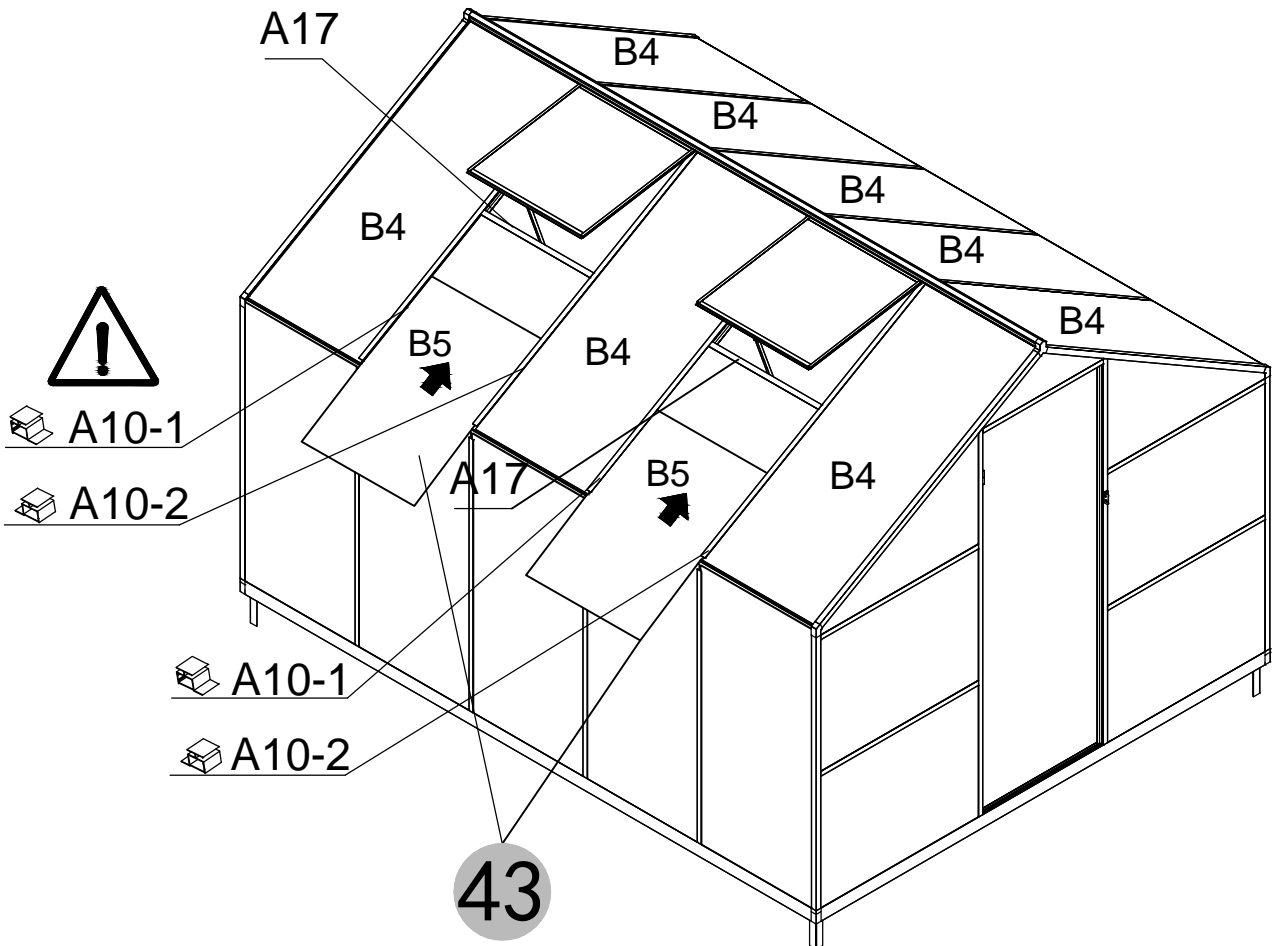
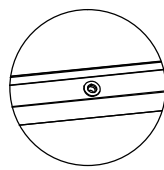
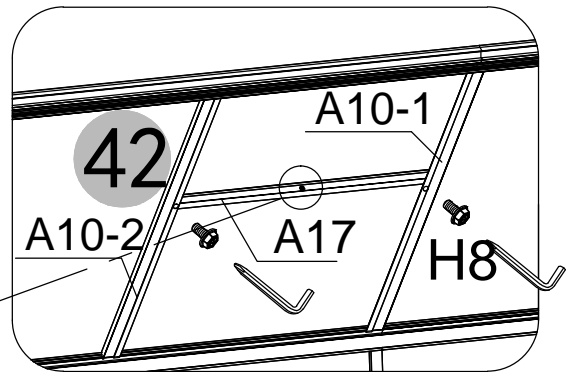
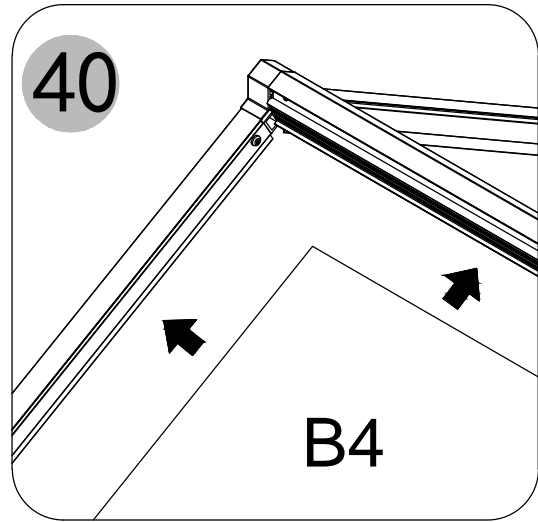
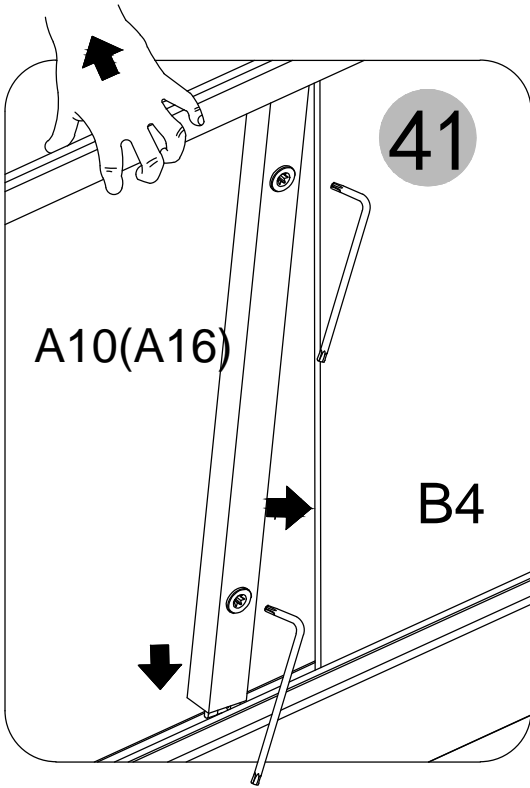


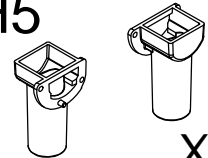
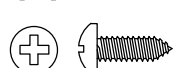




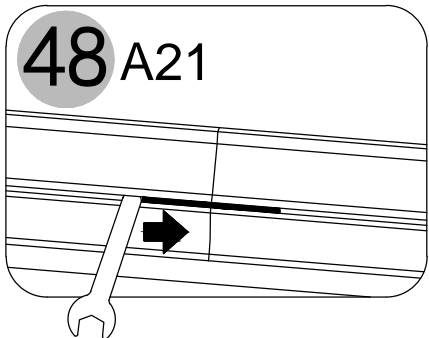
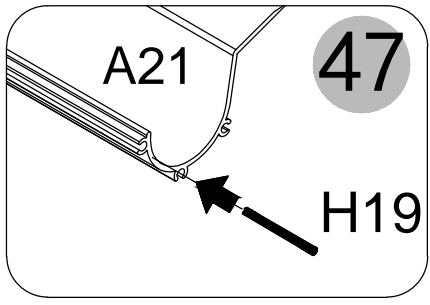
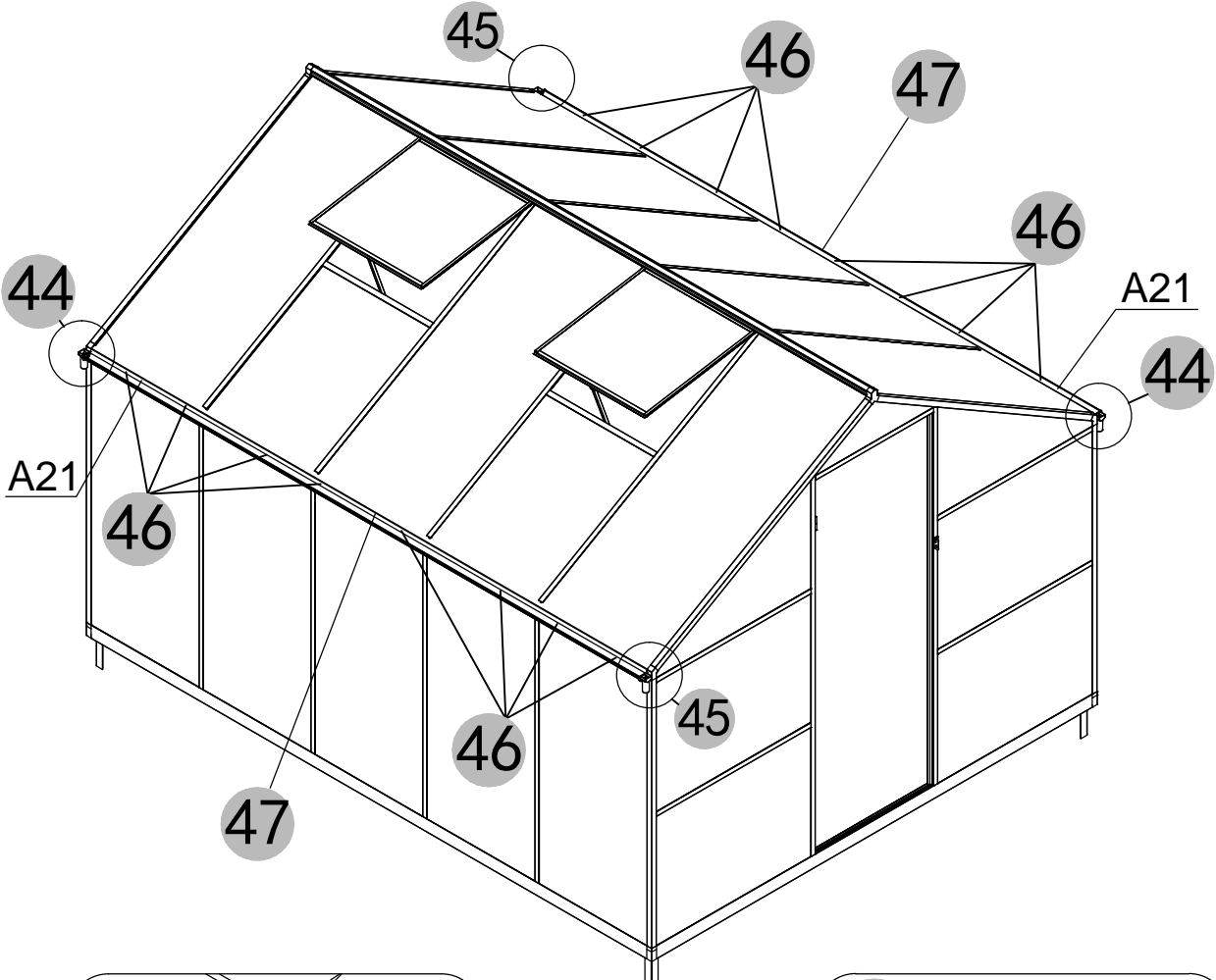
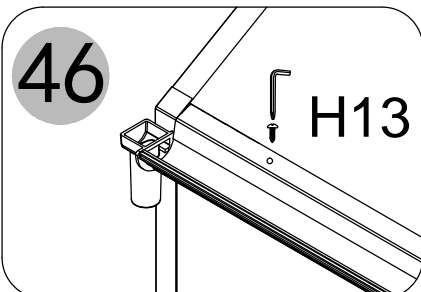
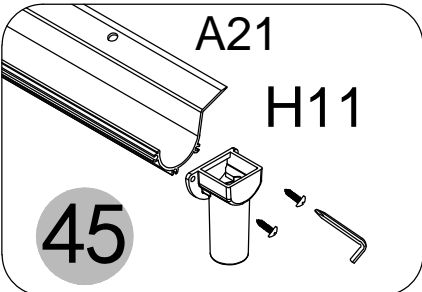
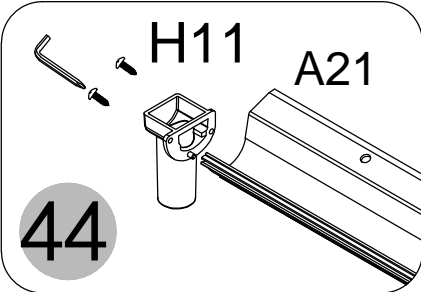
H8



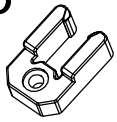
M6x12
X4



<p>H5</p>  <p>X2</p>	<p>H11</p>  <p>4x8 X8</p>	<p>H13</p>  <p>5x16 X16</p>	<p>H19</p>  <p>X2</p>
--	---	---	---



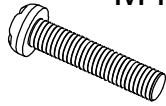
H16



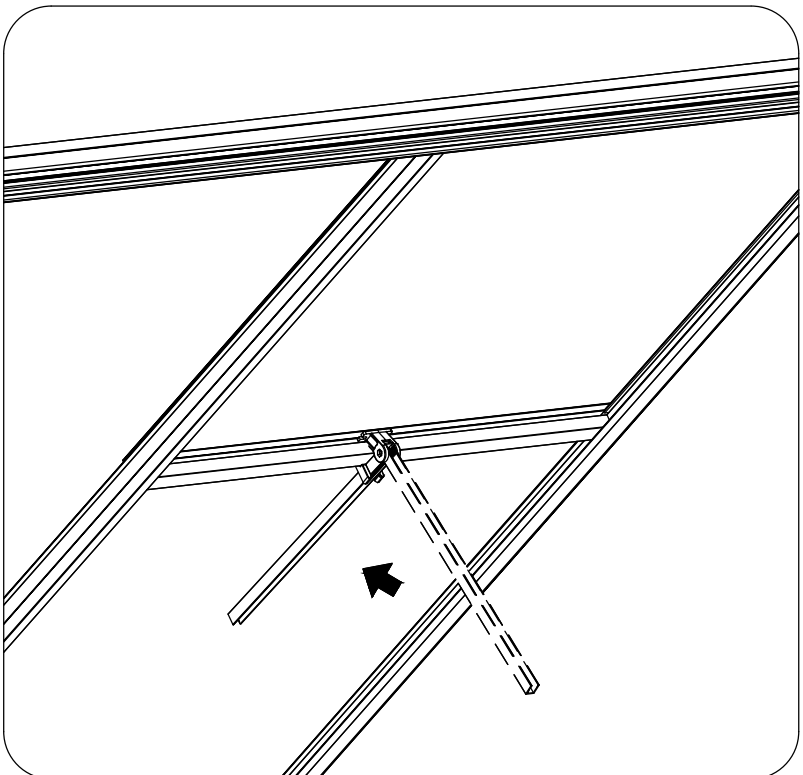
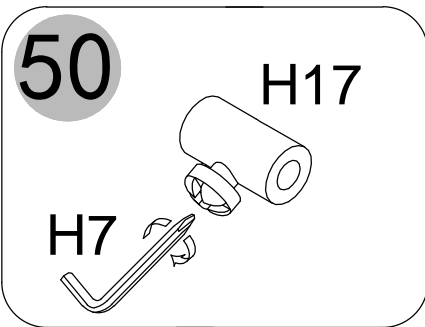
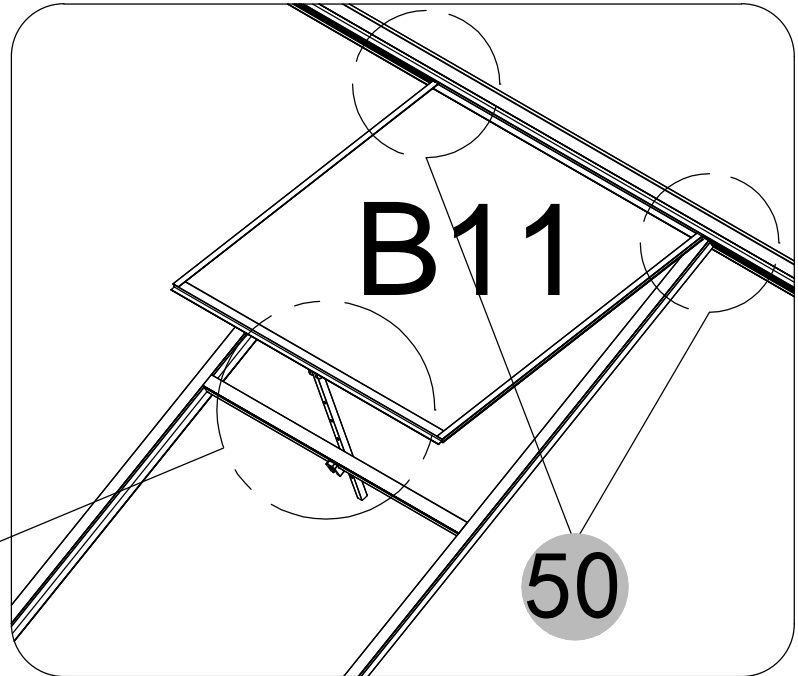
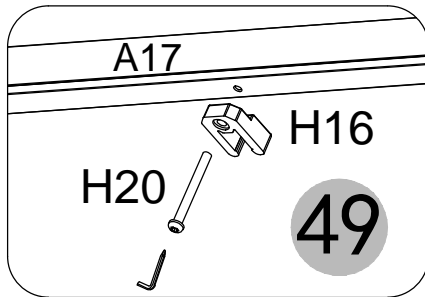
X2

H20

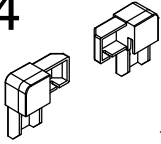
M4X40



X2

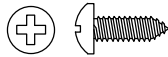


H4



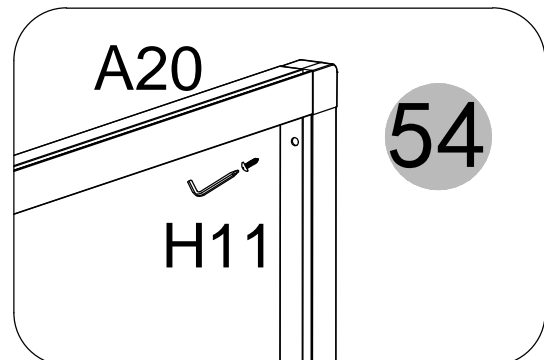
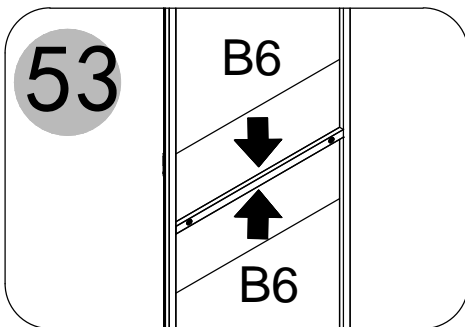
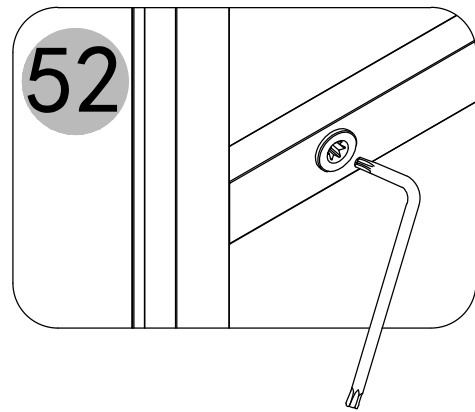
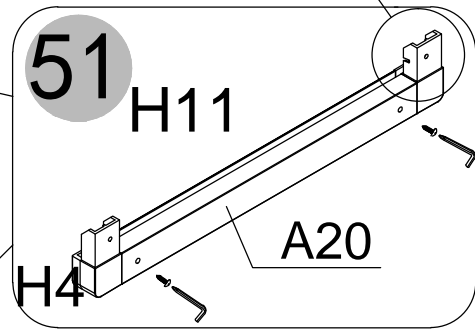
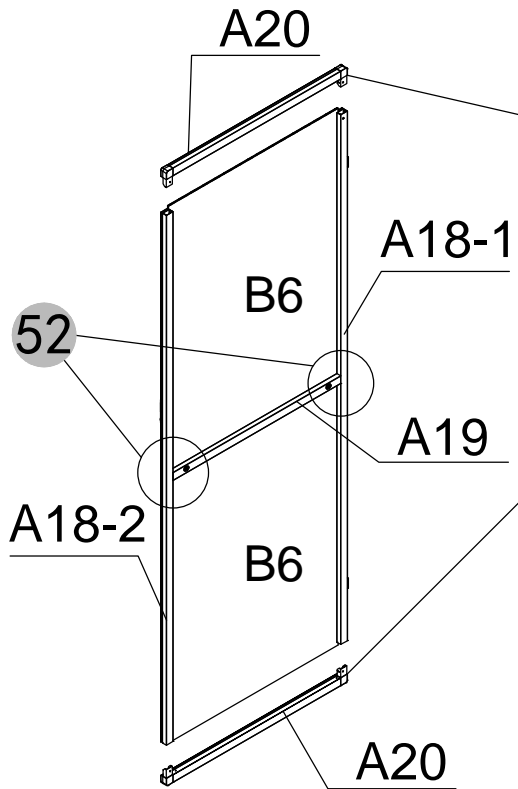
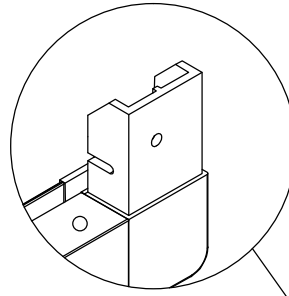
X2

H11

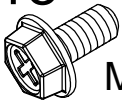


4x8

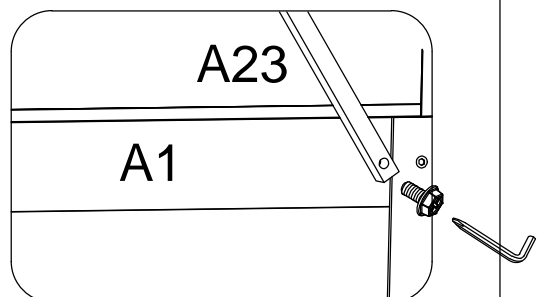
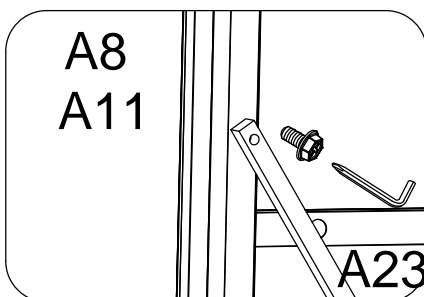
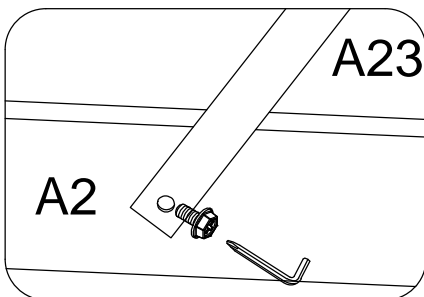
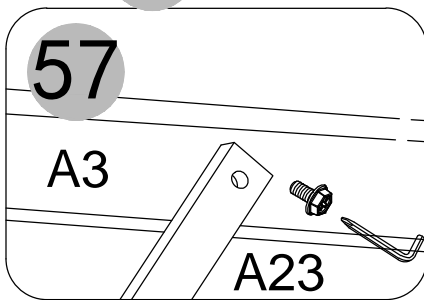
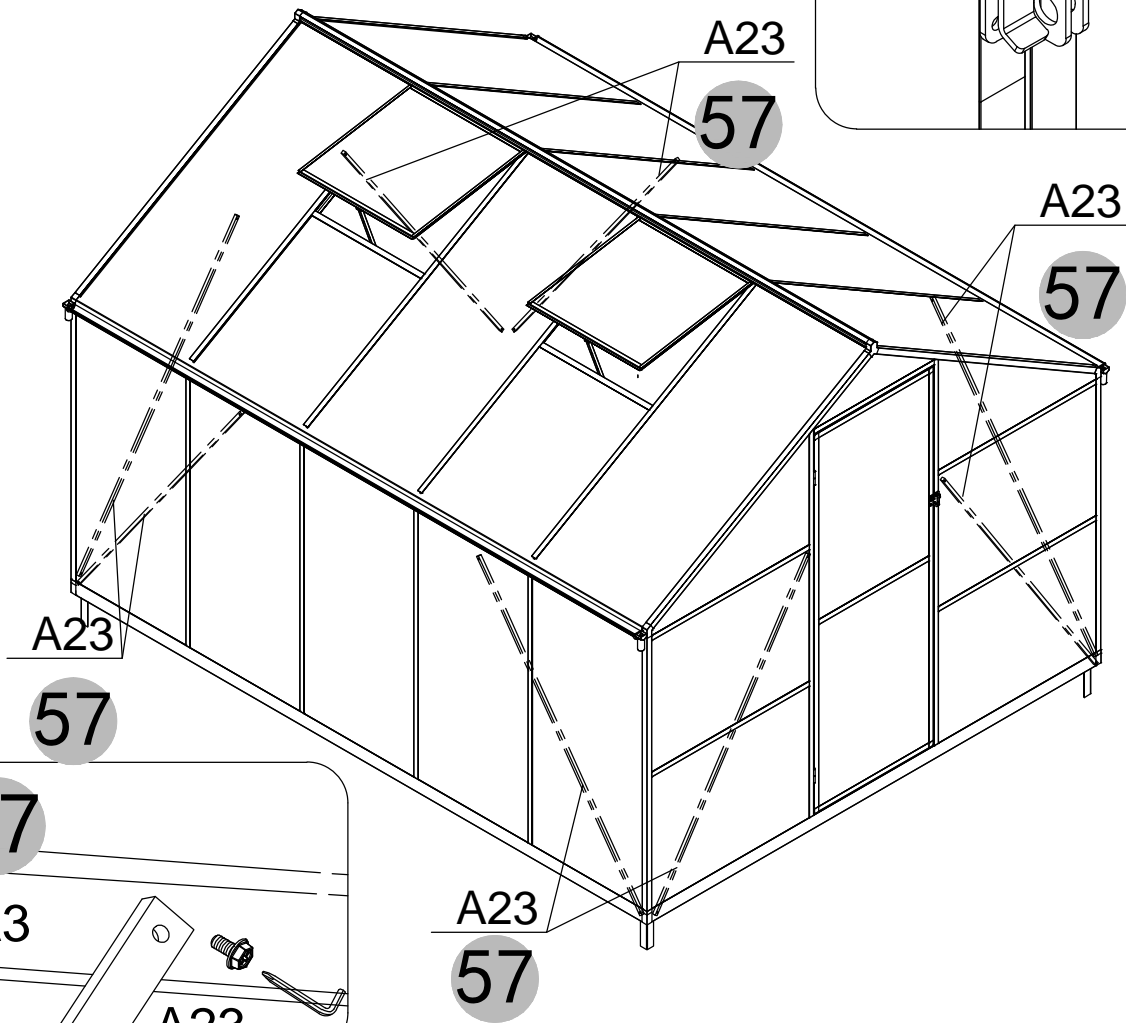
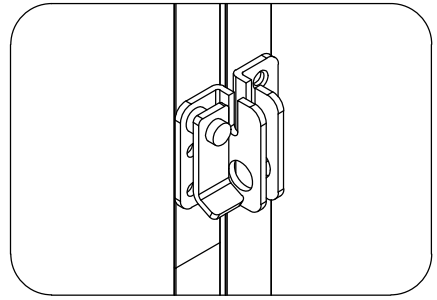
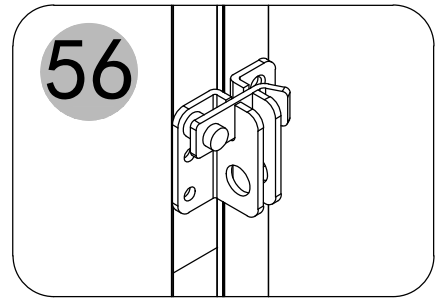
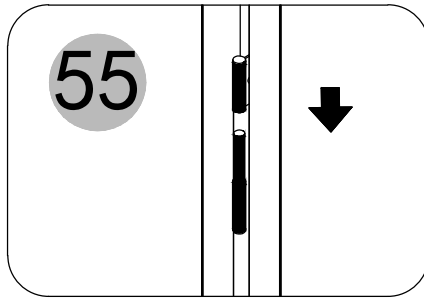
X8



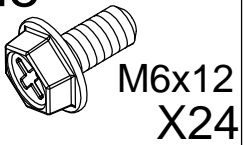
H18



M6x20
X16



H8



H21

