












Assembly Instructions

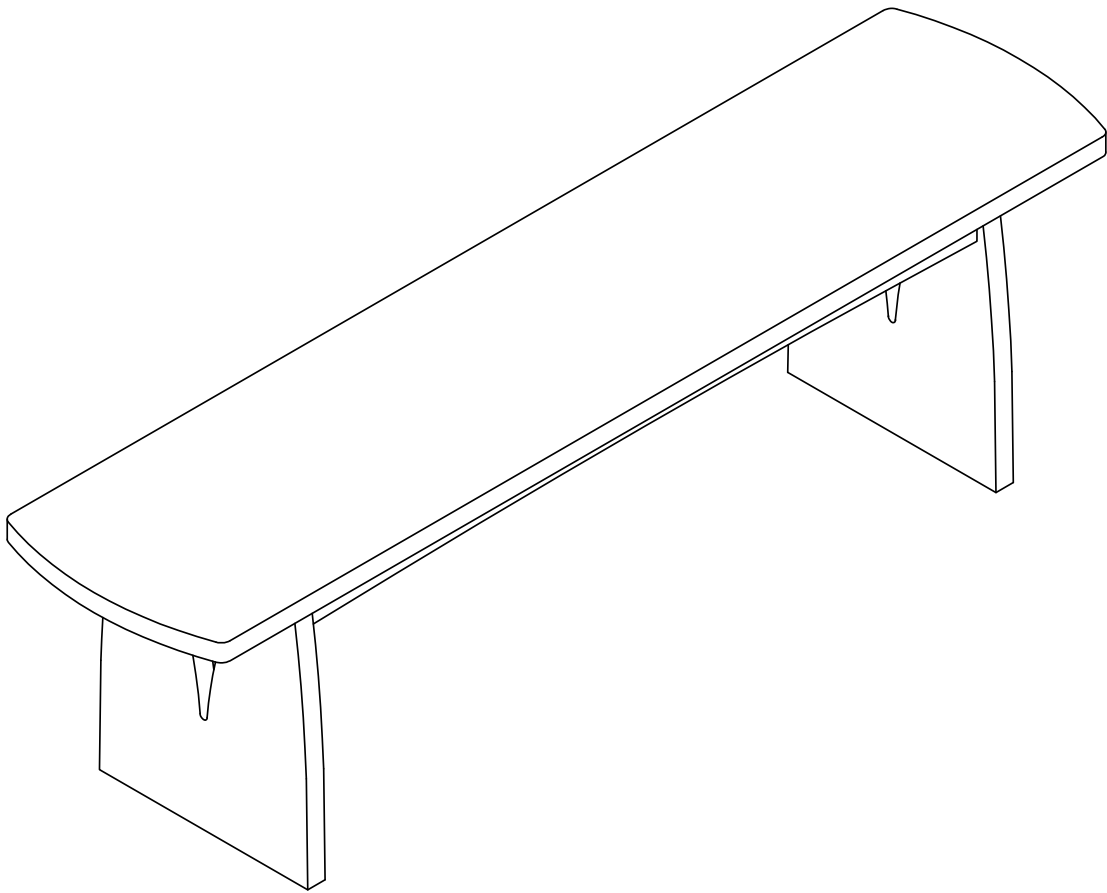
Caution: You must read this before you proceed

Care & Maintenance

	<ul style="list-style-type: none">● Not for commercial use. For residential use only.
	<ul style="list-style-type: none">● Furniture may scratch floors. We recommend using furniture pads to protect your floors.
	<ul style="list-style-type: none">● Do not put hot items directly on furniture surface.
	<ul style="list-style-type: none">● Do not clean furniture with harsh cleansers or polish.
	<ul style="list-style-type: none">● Do not place furniture under direct sunlight.
	<ul style="list-style-type: none">● Do not place furniture near heating or cooling vents.
	<ul style="list-style-type: none">● Do not write on furniture without a padded barrier to protect the surface.
	<ul style="list-style-type: none">● Do not place furniture outside . For indoor use only.
	<ul style="list-style-type: none">● Stains may be removed with mild soap solution and damp cloth.
	<ul style="list-style-type: none">● Children should not climb or jump on the furniture.
	<ul style="list-style-type: none">● Dust and pick-up spills using a clean, non-colored, lint-free cloth.

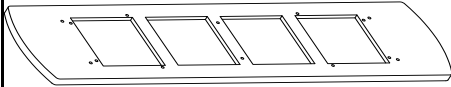
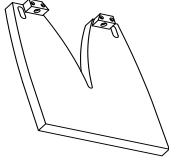
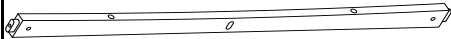
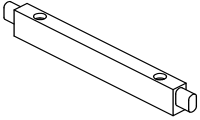
Please look in the Corner of the carton for hardware packs and Legs.

DINING BENCH


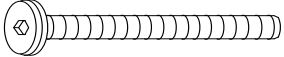


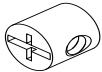





Caution: This Bench is NOT a TOY. Keep your child / children at bay during the assembly process. Whenever lifting or moving the Bench and to prevent damage to the Bench, 2 adults may be needed to execute these actions.

Parts List

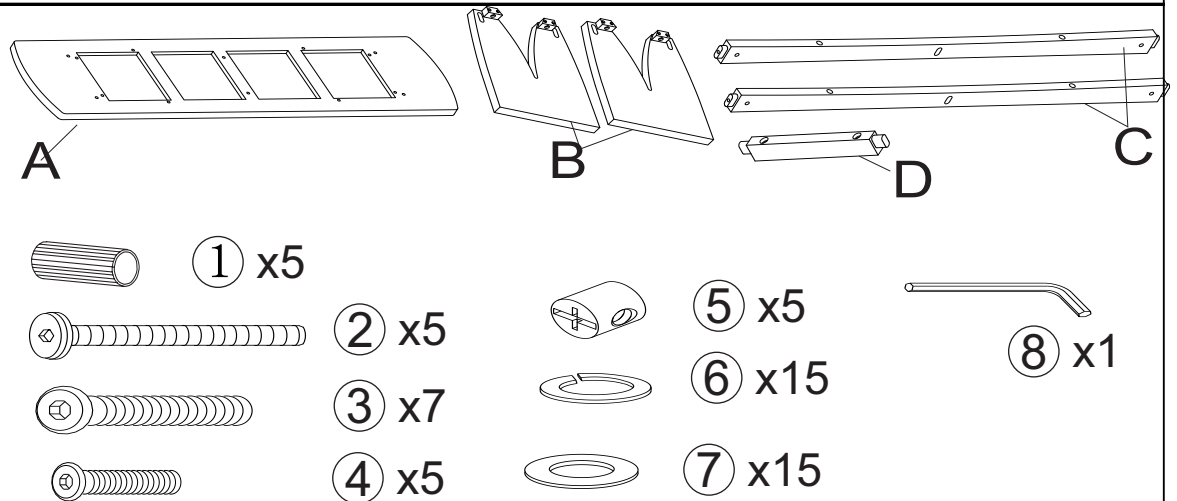
Label	Picture	Description	QTY
A		Top	1
B		Legs	2
C		Apron	2
D		Cross Bar	1

Hardware

Label	Picture	Description	QTY
①		Wooden Dowel 10 x 30	5
②		Bolt (1/4" x 70mm)	5
③		Bolt (1/4" x 55mm)	7
④		Bolt (1/4" x 38mm)	5
⑤		T Nut	5
⑥		Spring Washer (ϕ 6) x 13	15
⑦		Flat Washer (6) x 13	15
⑧		Allen Key (K4 x 80)	1

Assembly Preparation

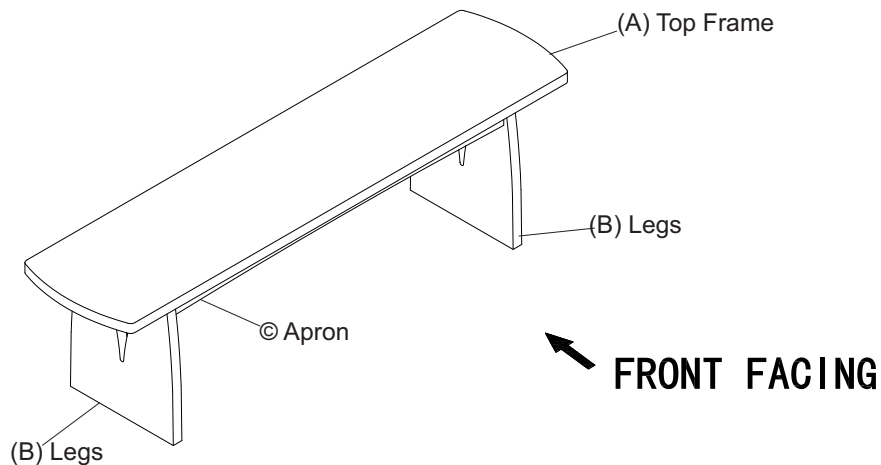
Before Beginning Assembly:



- Read instructions, cover to cover-
- Have 2 adults on hand for assembly-
- Do not assemble on flooring or carpet-
- Assemble on a clean non-marring surface (packing foam)-
- Save all packaging until finished-

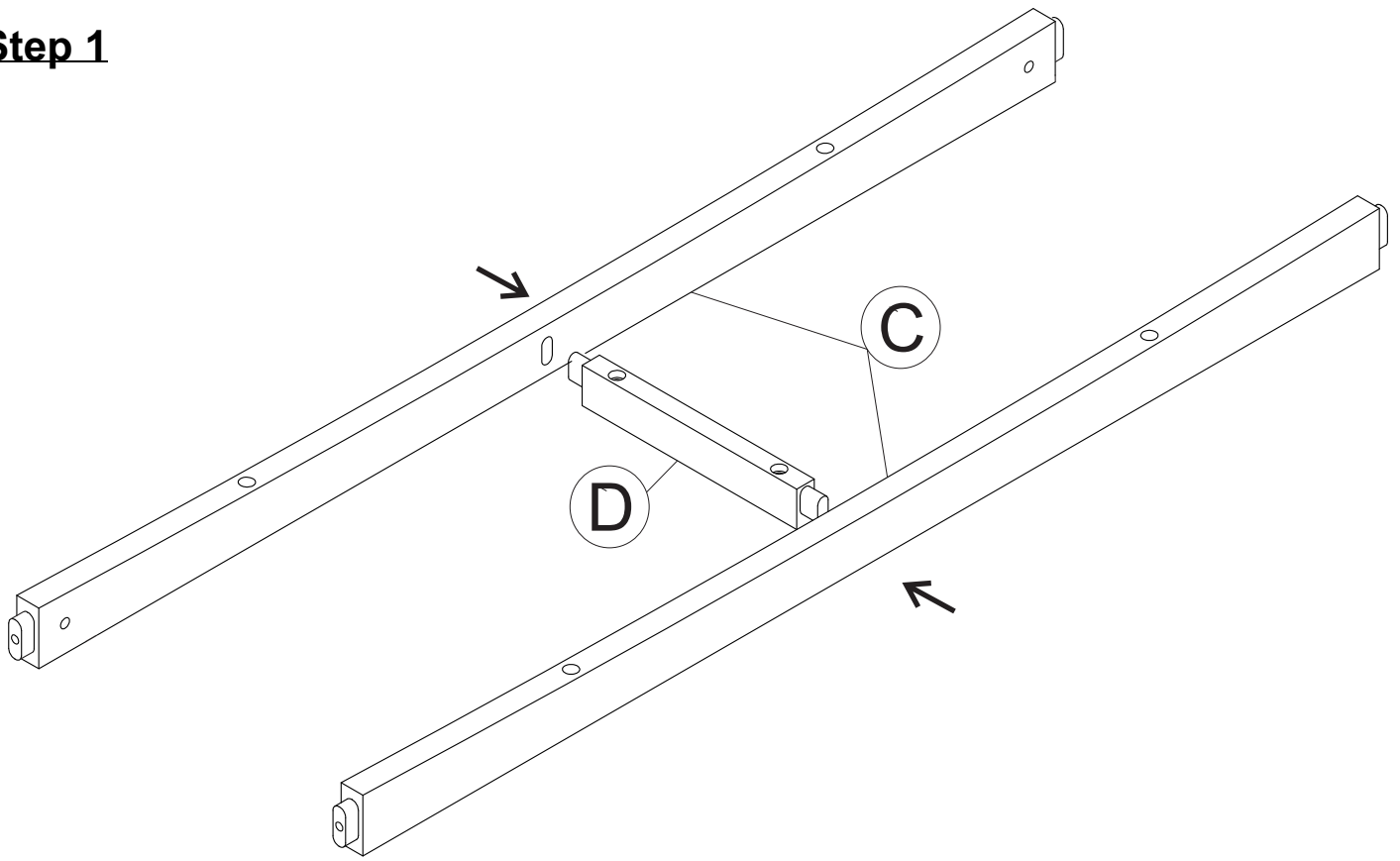
Assembly Steps

Overview



This Dining Bench has multiple parts and may require up to some 25 minutes to assemble. To give you an overview of the Dining Bench parts, the above picture is to help you put the various parts into perspective. Please read through the instructions below to familiarise yourself with the parts and steps before assembly.

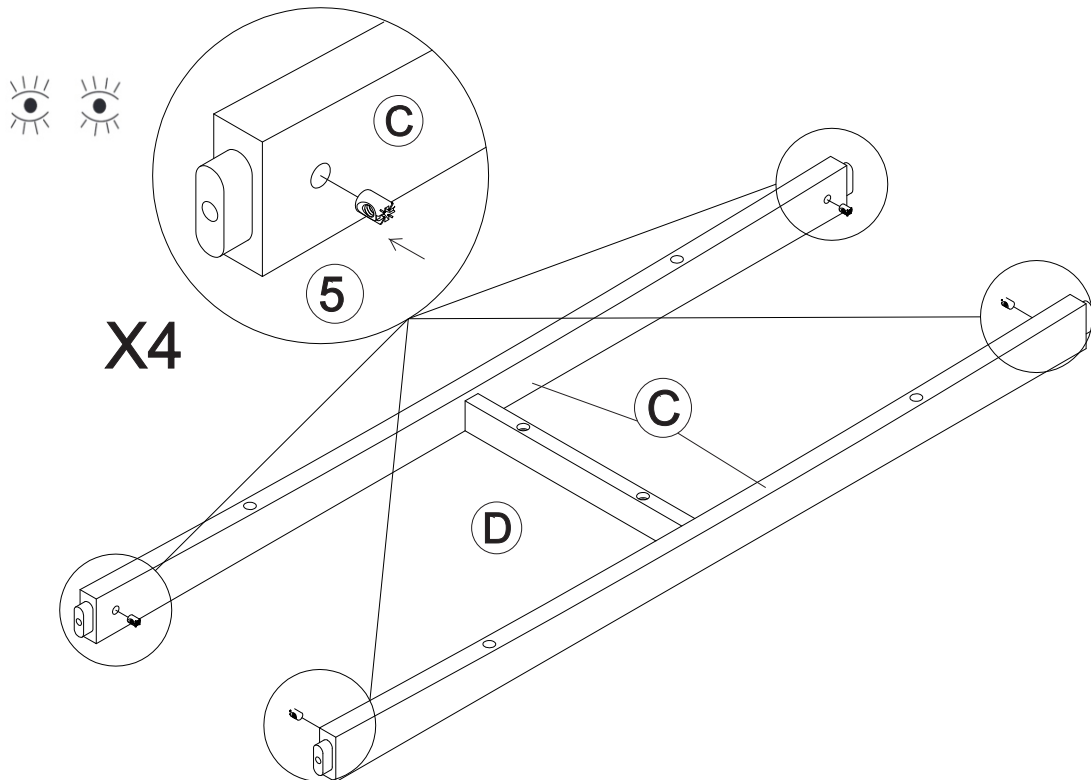
Step 1



Unpack and Place all part on clean, non -marring surface

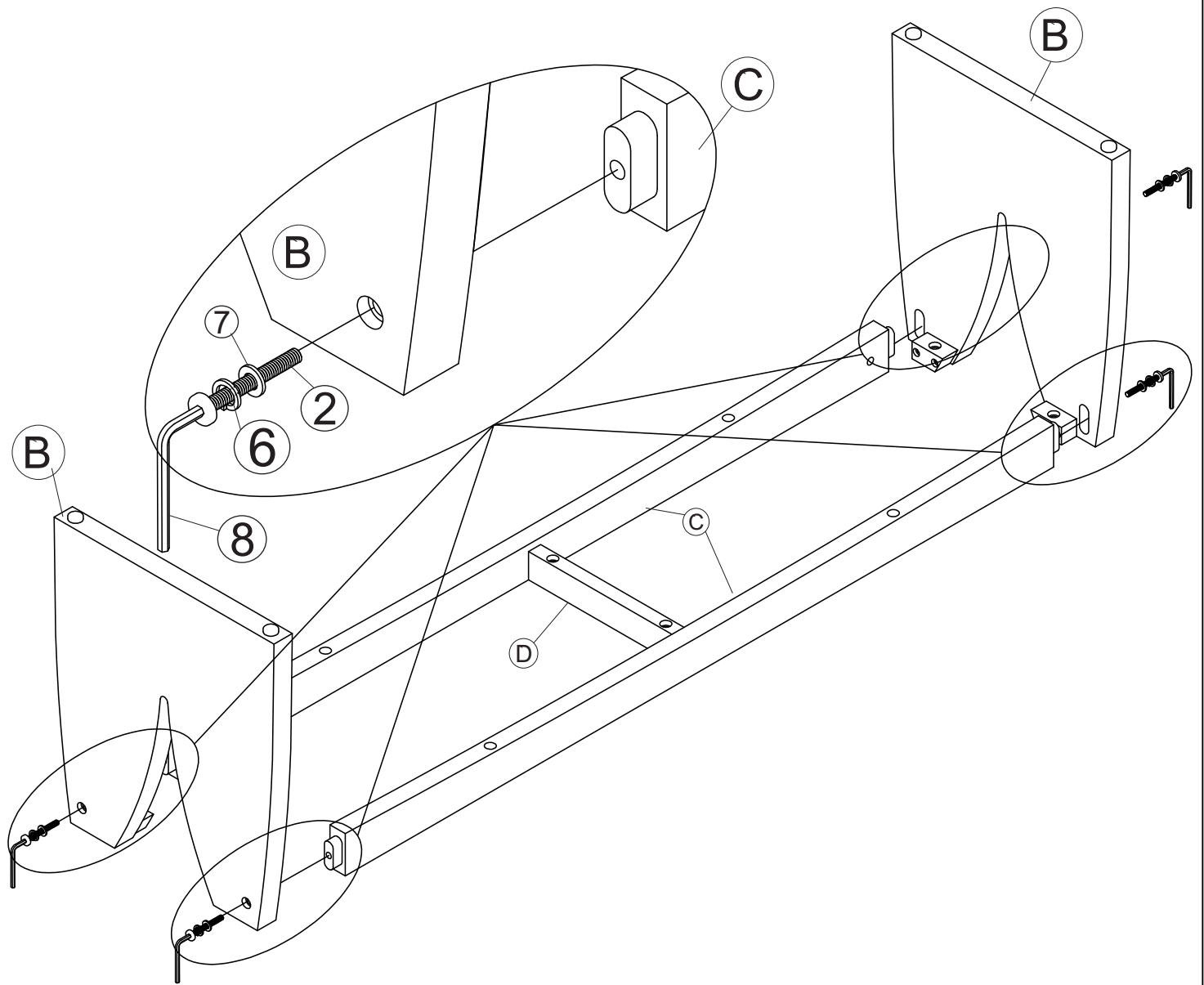
Attach the Cross Bar (D) to the Apron © ,

Step 2



Next step, Insert the T Nut (5) on to the hole of Apron © as picture show

Step 3

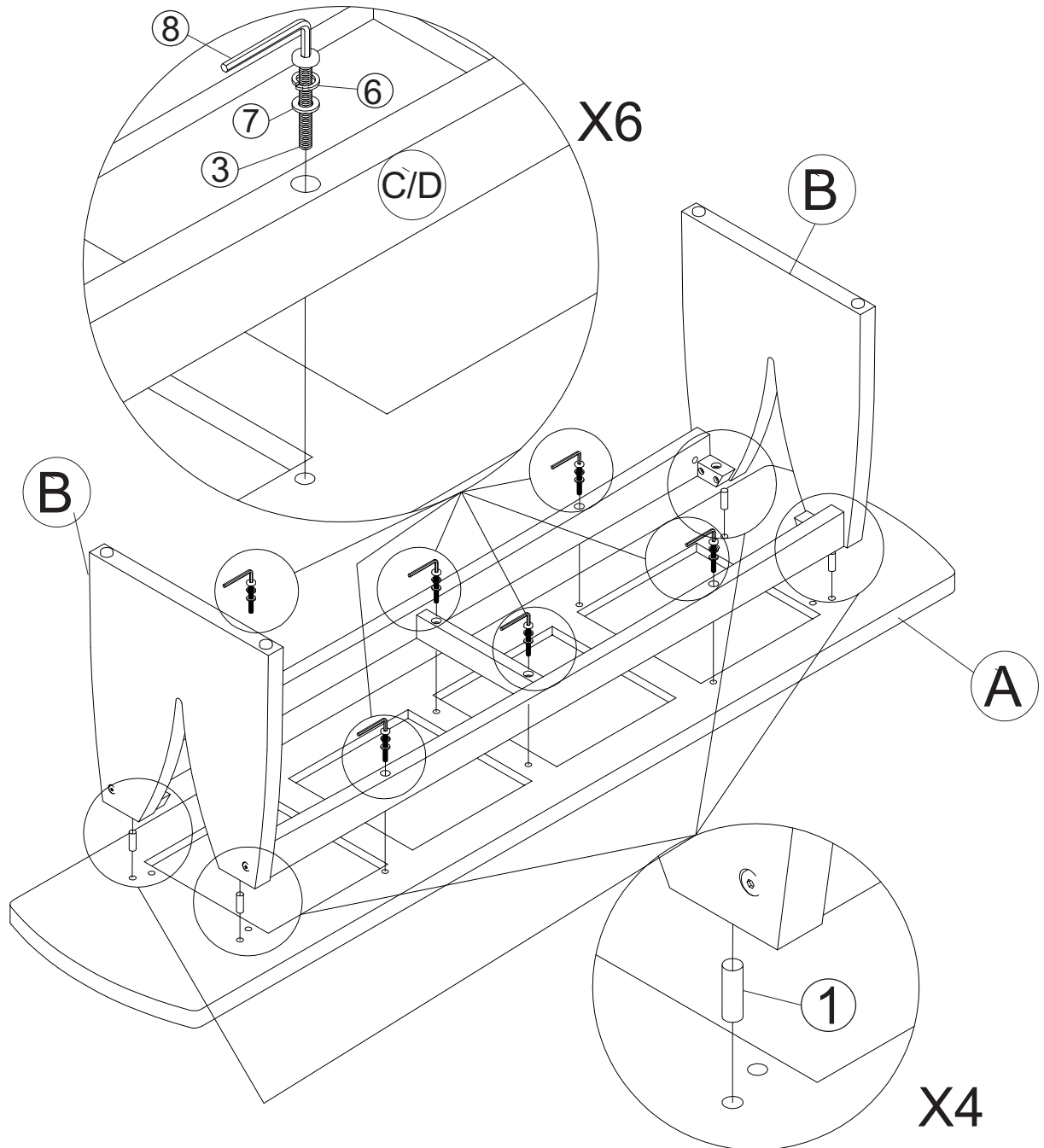


Next step, Attach the Legs (B) on to the Apron ©

Then Affix them by using the Bolt (2), Spring Washer (6), Flat washer (7) and Allen Wrench (8) .

At this step, fully tighten the Bolt.

Step 4

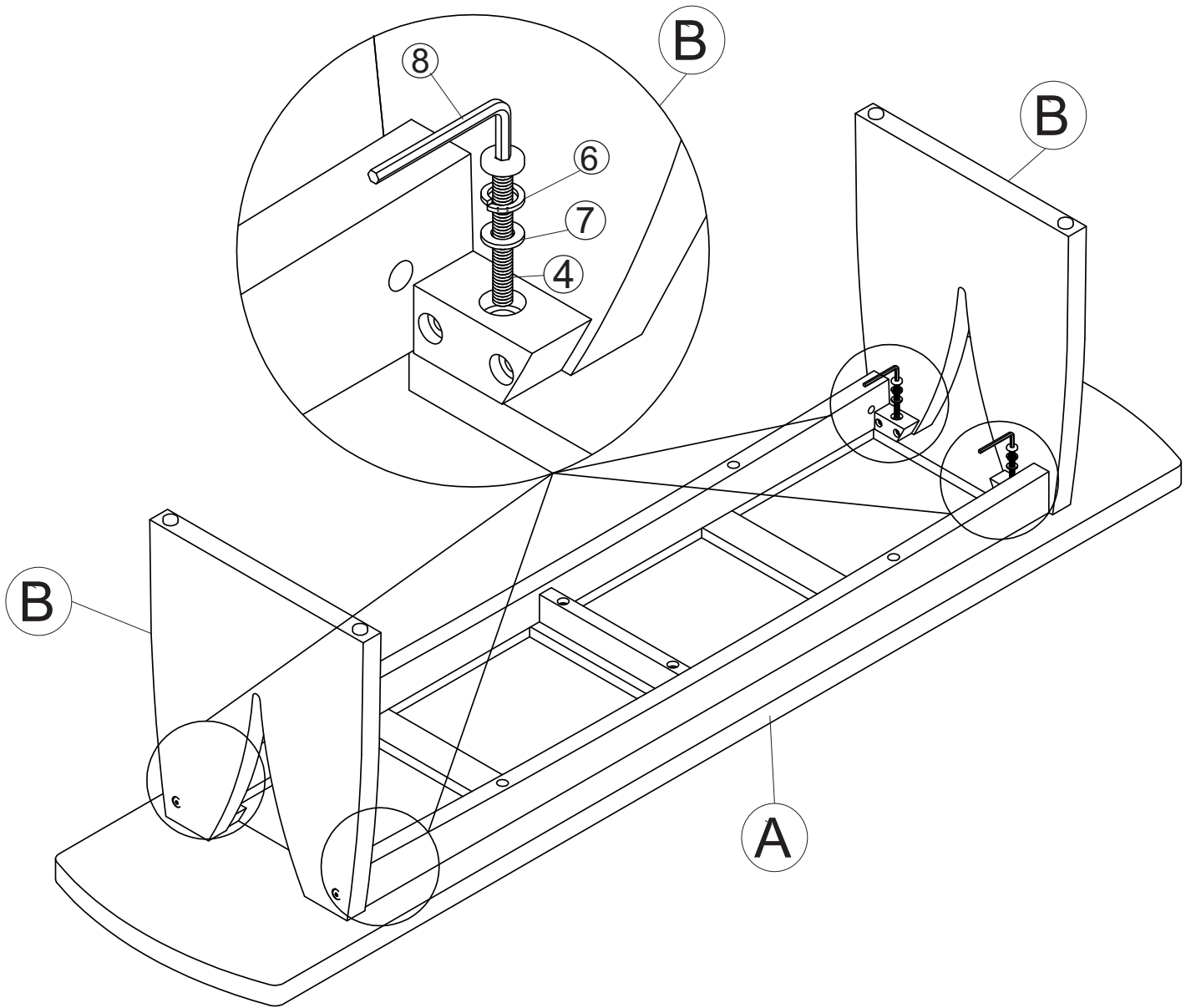


Next step, Attach the Legs Frame assembled as step 2 onto the Top (A)

Align the mounting position with wooden dowel (1) and Affix them by using the Bolt (3), Spring Washer (6), Flat washer (7) and Allen Wrench (8)

At this step, fully tighten the Bolt.

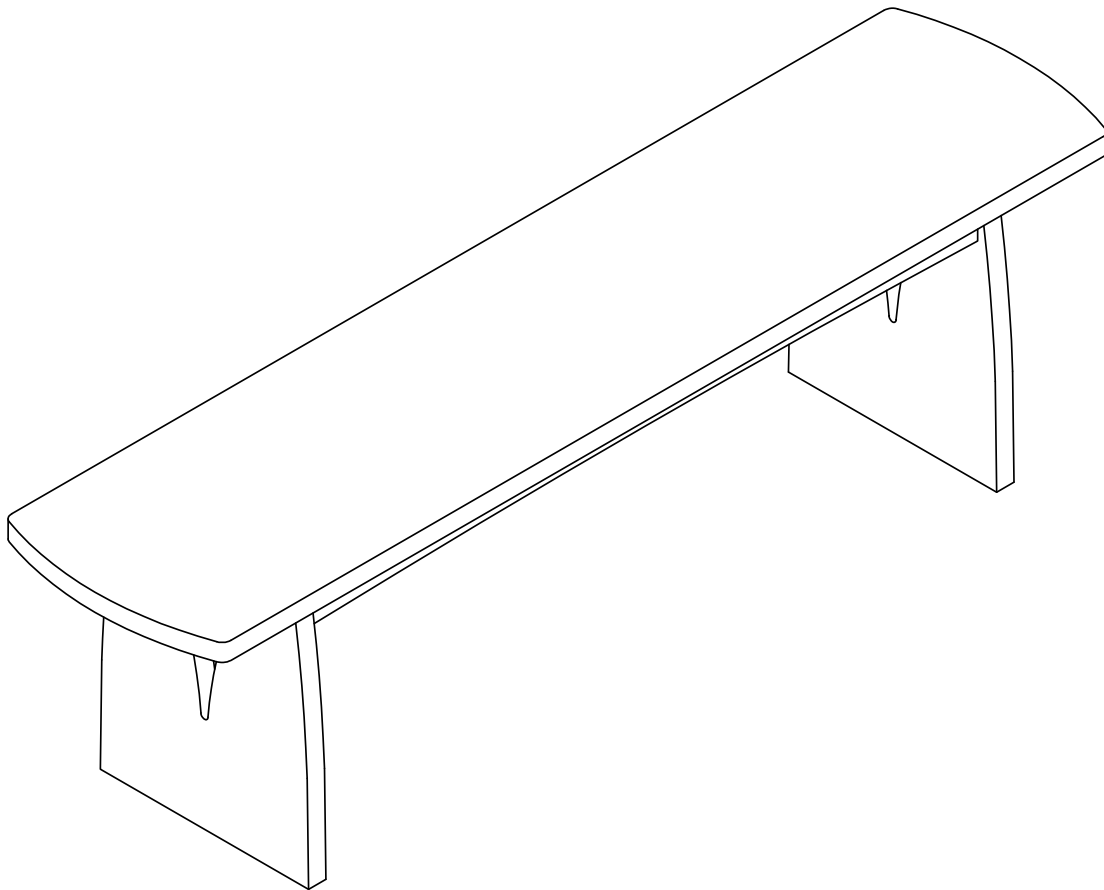
Step 5



Next step, Affix the Legs (B) onto the Top (A) by using the Bolt (4), Spring Washer (6), Flat washer (7) and Allen Wrench (8).

At this step, fully tighten the Bolt.

Step 6



Exert pressure floorwards onto the Top with both your hands.
This pressure will help the Legs and Top reach full alignment status.
Check for wobbles on a LEVEL surface.
If no wobbles are found proceed to tighten the Bolts and screws in a sequential manner until evenly secured.
Your Bench is ready for use.
This Bench can only be used on the flat, level surface.