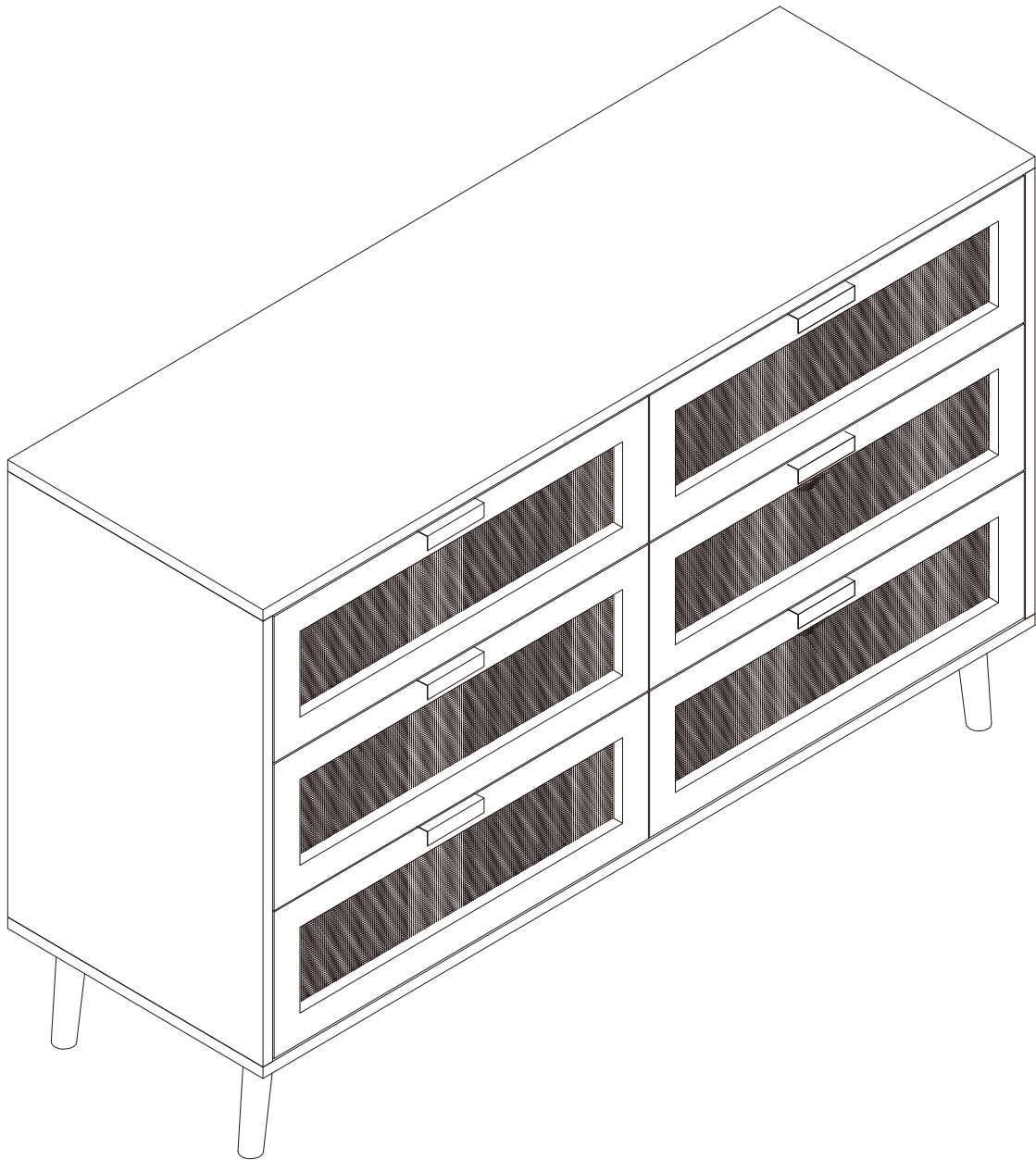
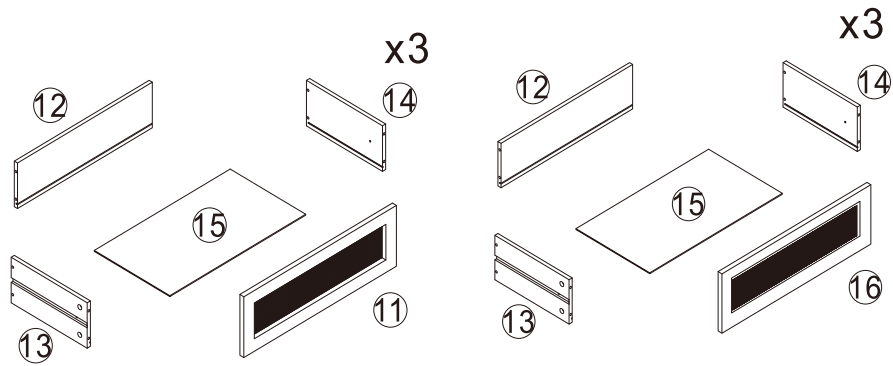
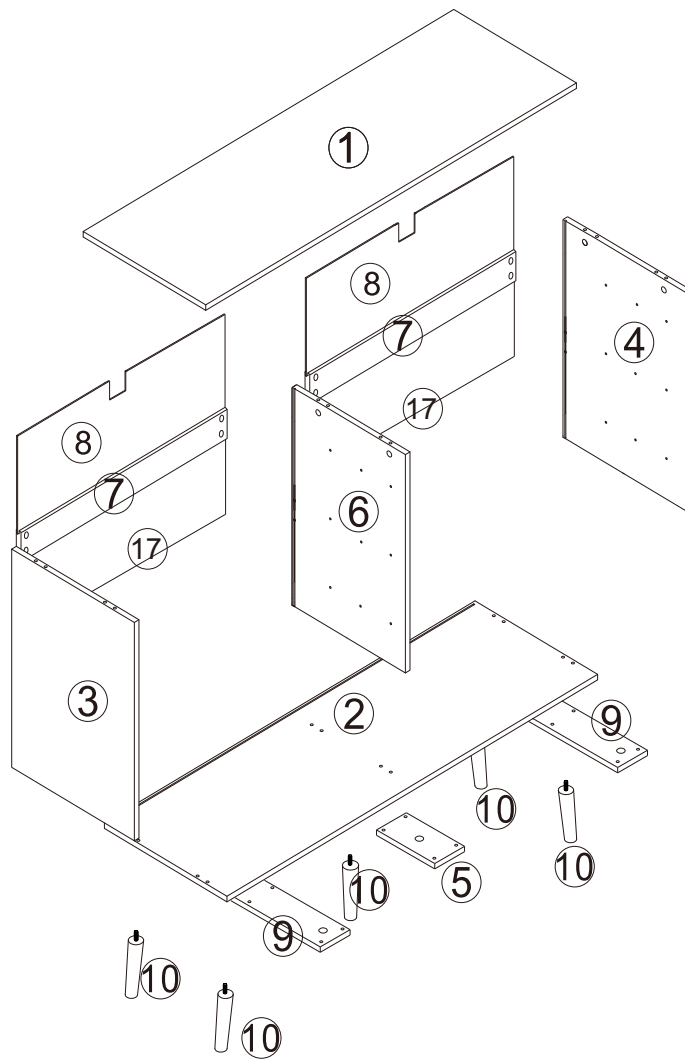
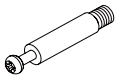
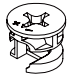
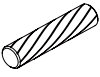


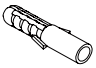
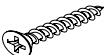



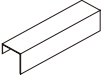
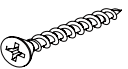






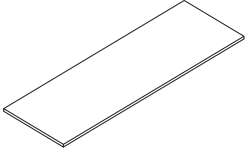
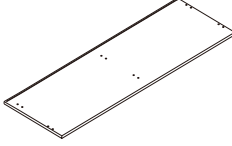
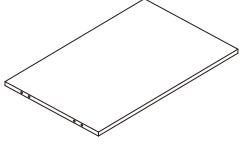
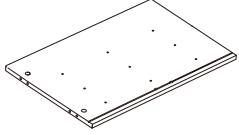
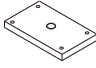
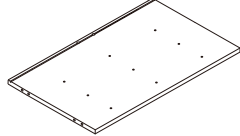
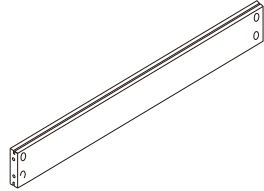
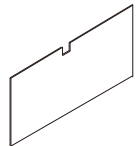
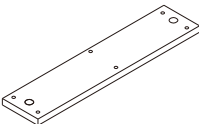
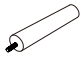
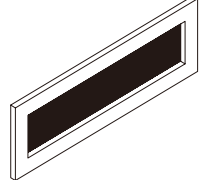
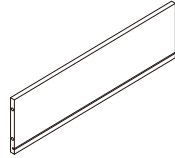
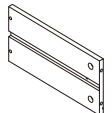
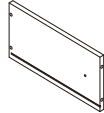
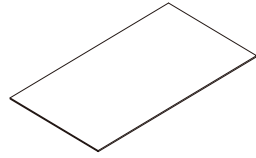
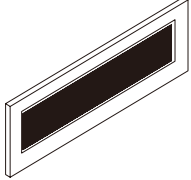
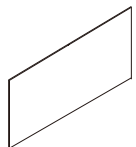


ASSEMBLY INSTRUCTIONS





					
Ax38	Bx38	Cx12	Dx 24	Ex36	Fx2
					
Gx6	Hx2	Ix2	Jx16	Kx6	Lx2
					
Mx12	Nx12	Ox16	Px16	Qx4	Rx12

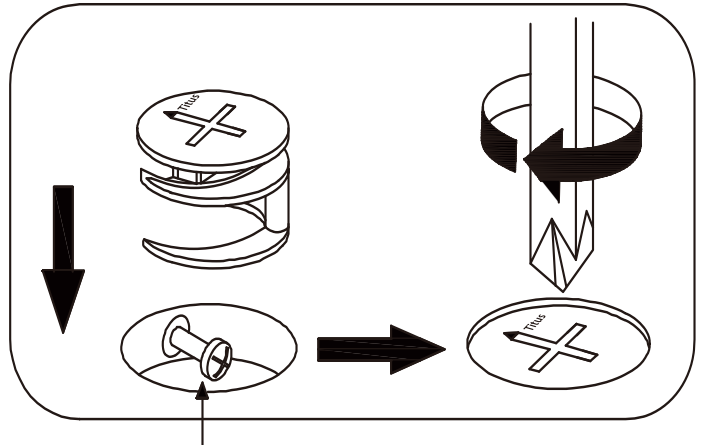
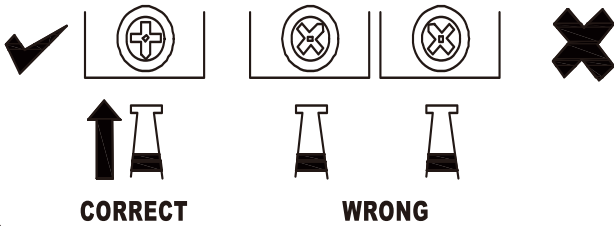
<p>1 x1</p> 	<p>2 x1</p> 	<p>3 x1</p> 	<p>4 x1</p> 
<p>5 x1</p> 	<p>6 x1</p> 	<p>7 x2</p> 	<p>8 x2</p> 
<p>9 x2</p> 	<p>10 x5</p> 	<p>11 x3</p> 	<p>12 x6</p> 
<p>13 x6</p> 	<p>14 x6</p> 	<p>15 x6</p> 	<p>16 x3</p> 
<p>17 x2</p> 			

SPECIAL TIPS FOR FITTING CAM-LOCKS AND QUICKFIT

CAM-LOCK



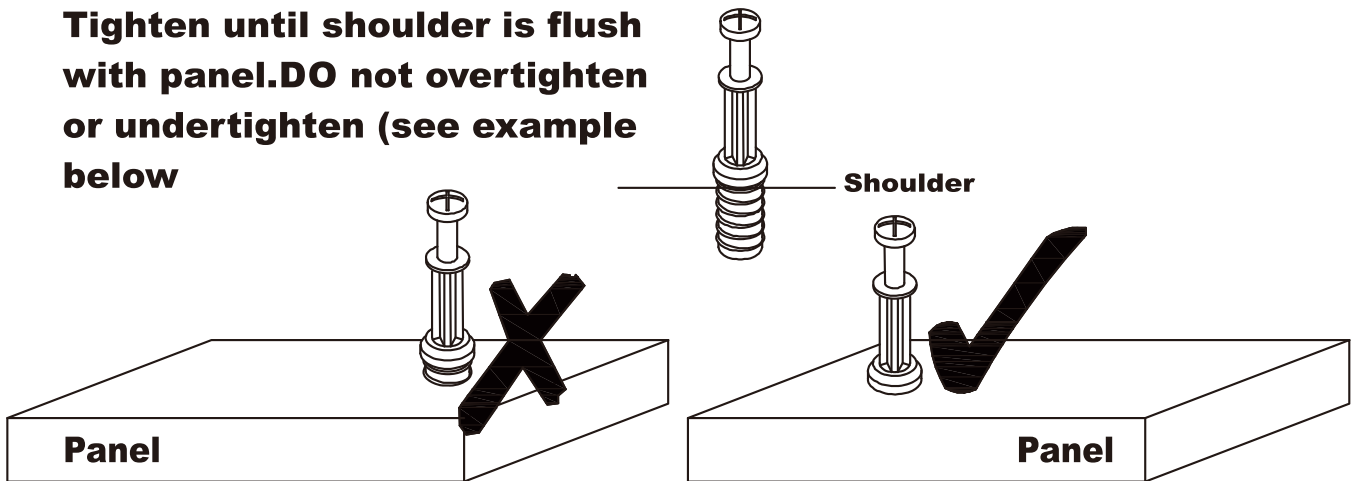
WHEN FITTING CAMLOCK
ENSURE STARTING POSITION IS CORRECT
BEFORE YOU INSERT CONNECTING QUICKFIT
TURN CLOCKWISE UNTIL SECURE



Quickfit head needs to be in centre

QUICKFIT

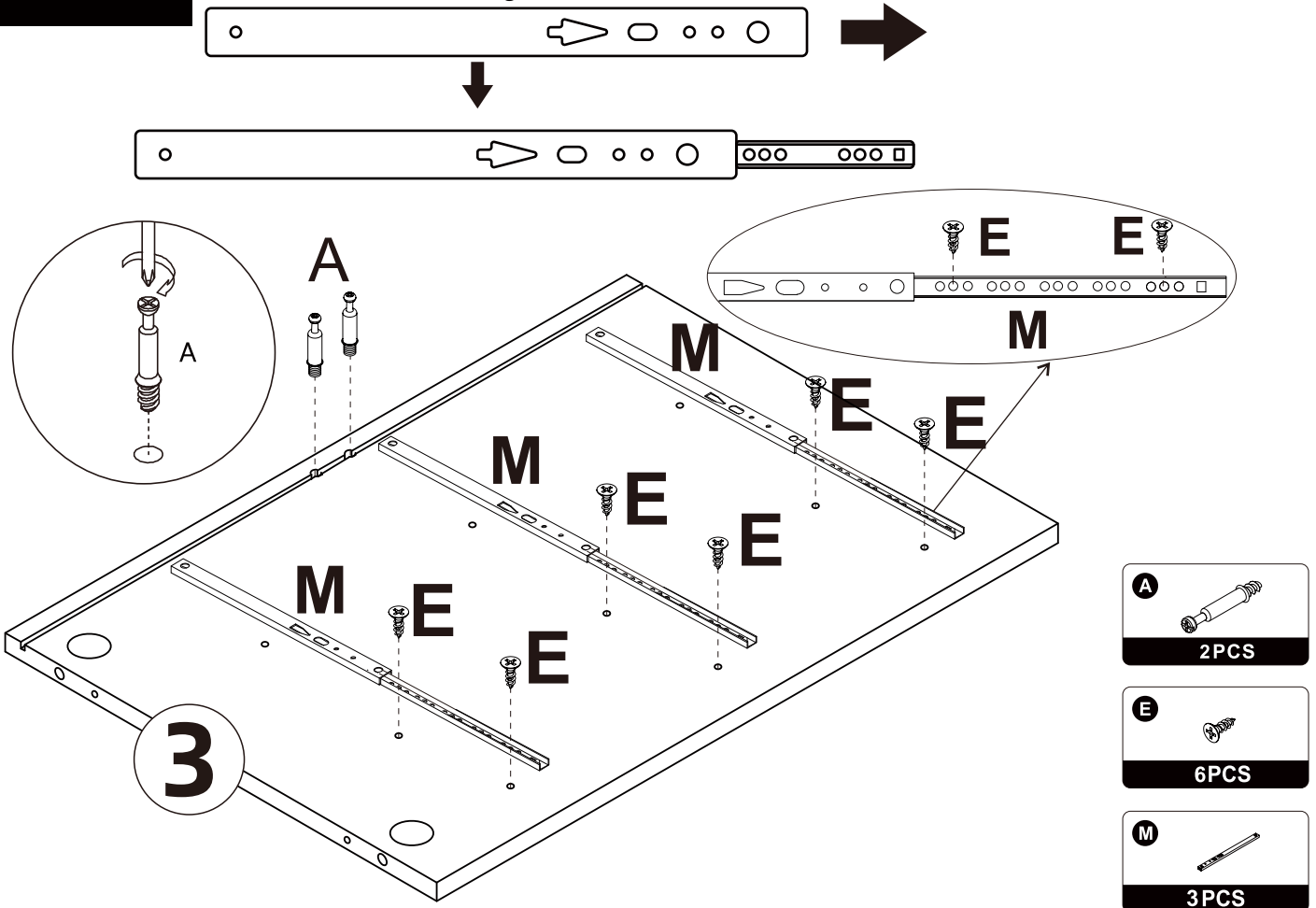
Tighten until shoulder is flush with panel. DO not overtighten or undertighten (see example below)



1

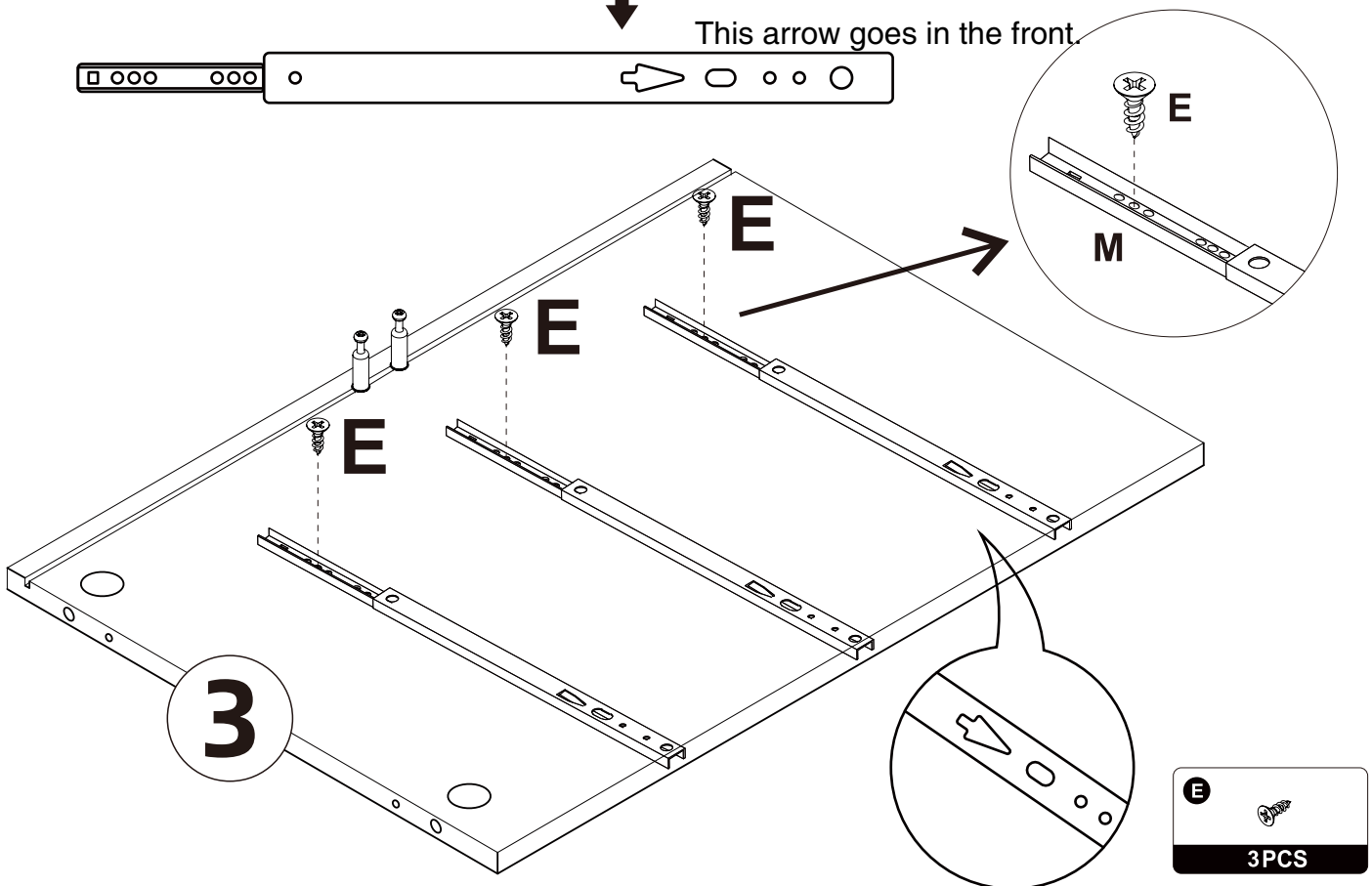
Stretch Hardware M and fix it to Part 3 with Screw E.

This arrow goes in the front.



2

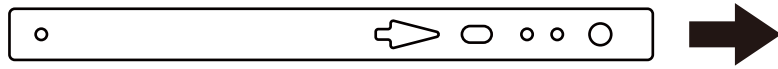
This arrow goes in the front.



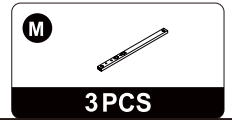
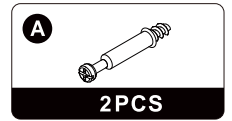
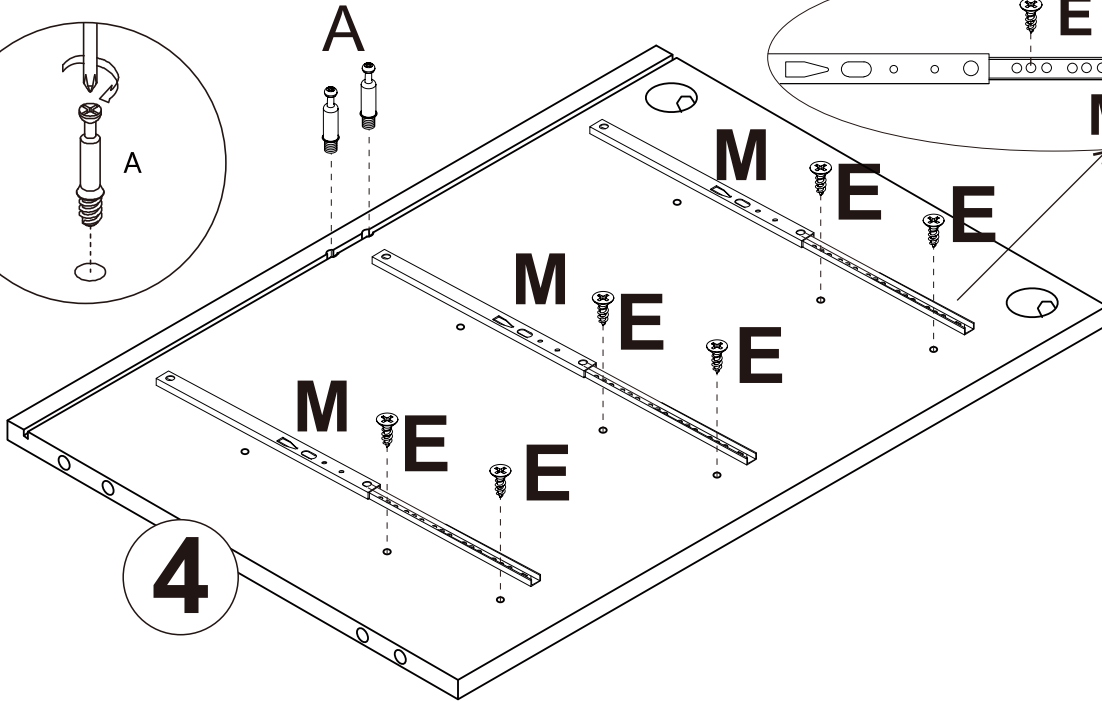
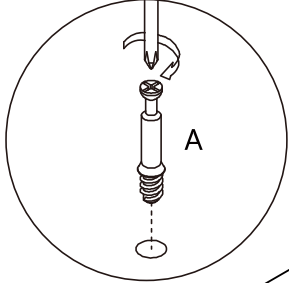
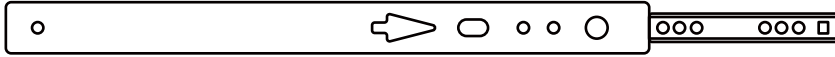
Please find the exact holes both on board and slide for installation, otherwise it will be misaligned. The screws on the drawer slide must be leveled, otherwise it will affect the smoothness of the drawer.

3

Stretch Hardware M and fix it to Part 4 with Screw E.

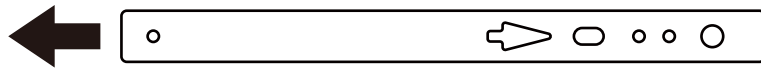


This arrow goes in the front.

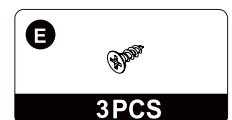
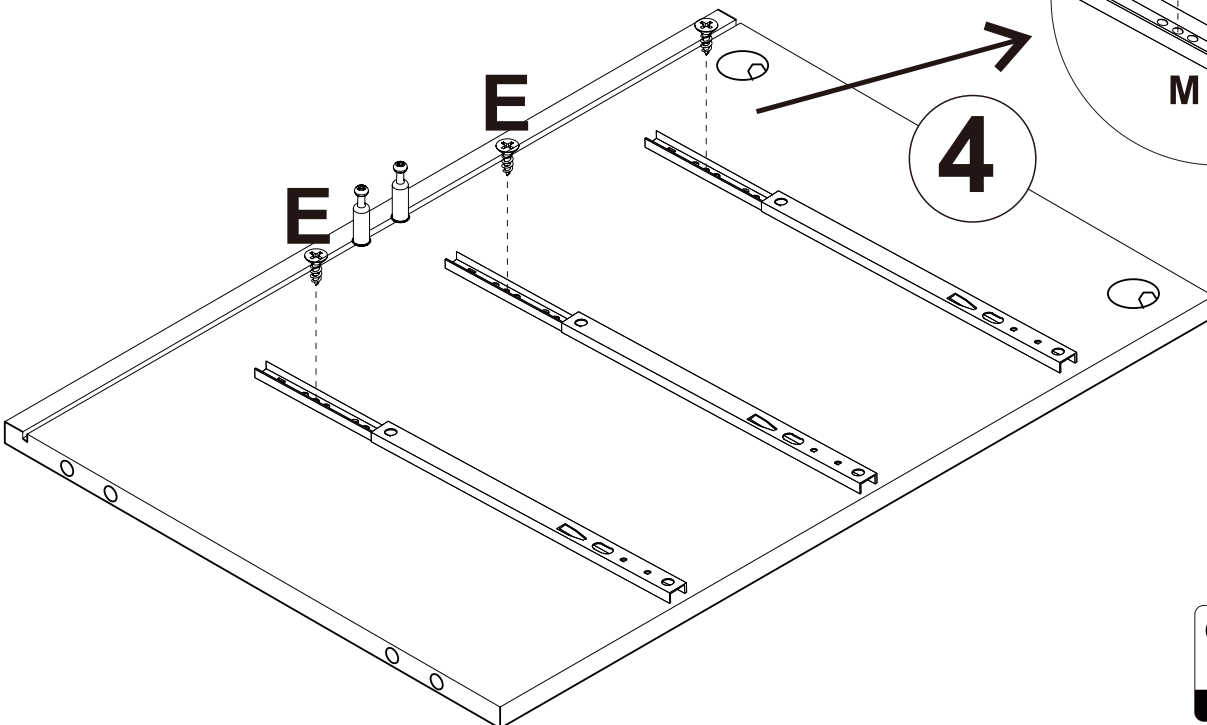
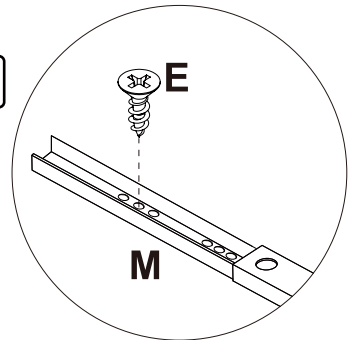
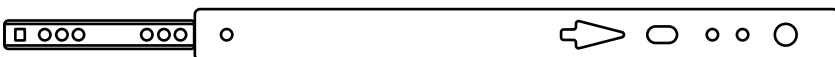


4

4



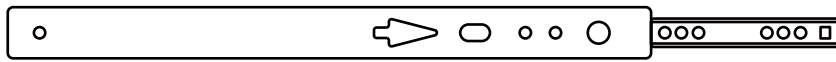
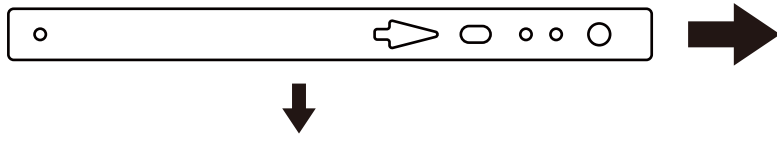
This arrow goes in the front.



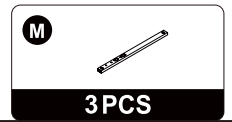
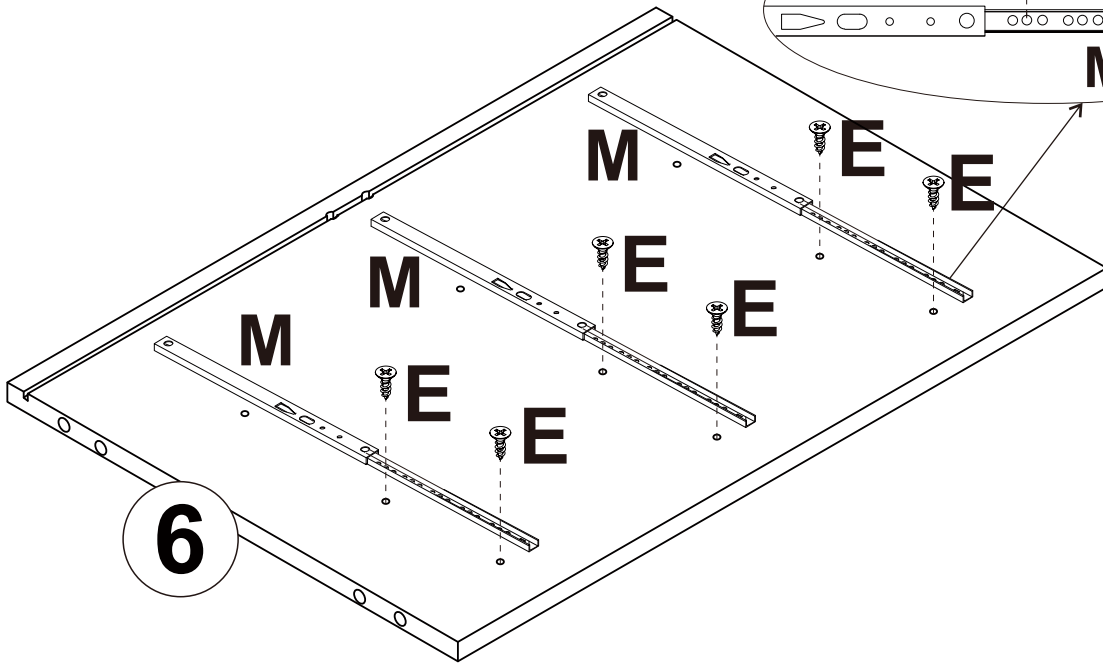
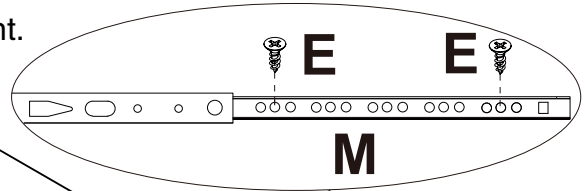
Please make sure screw the correct hole at Hardware E.

5

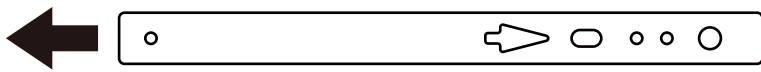
Stretch Hardware M and fix it to Part 6 with Screw E.



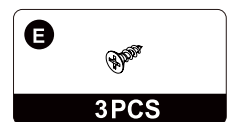
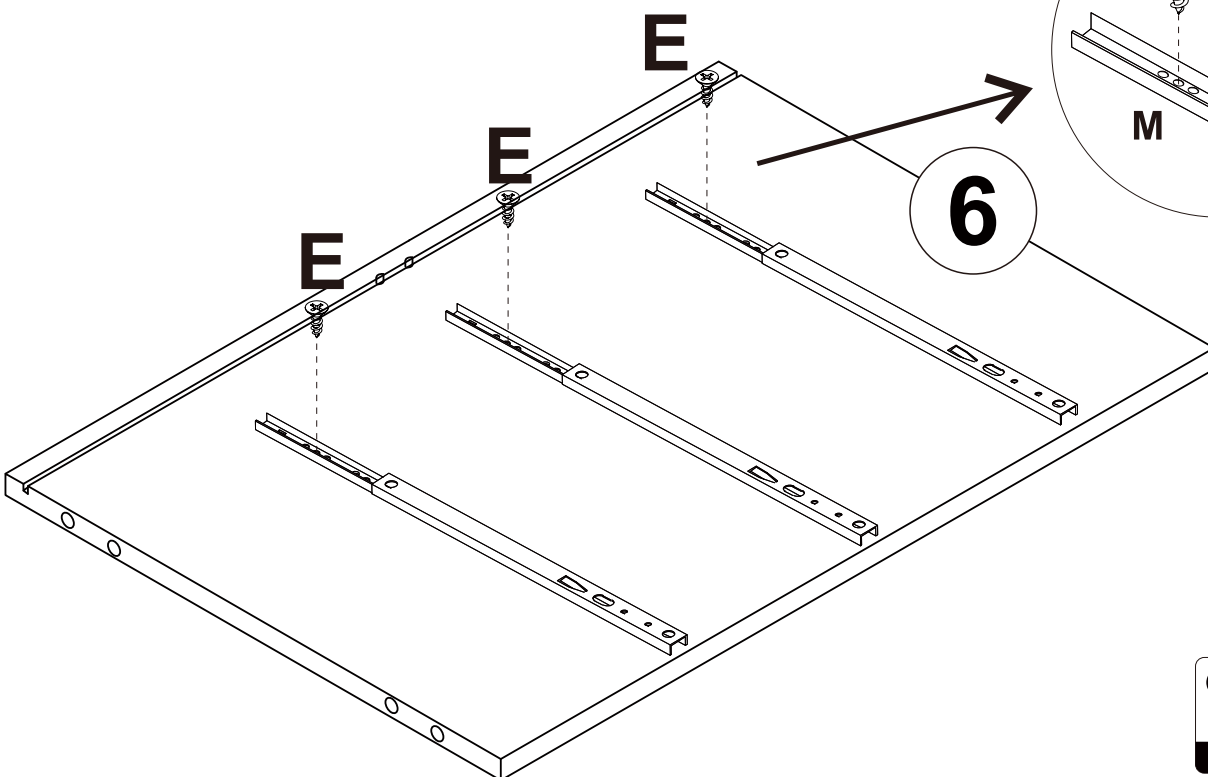
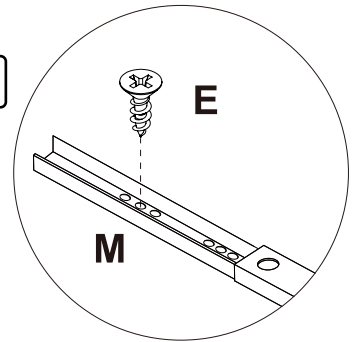
This arrow goes in the front.



6



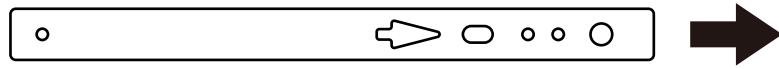
This arrow goes in the front.



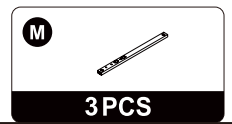
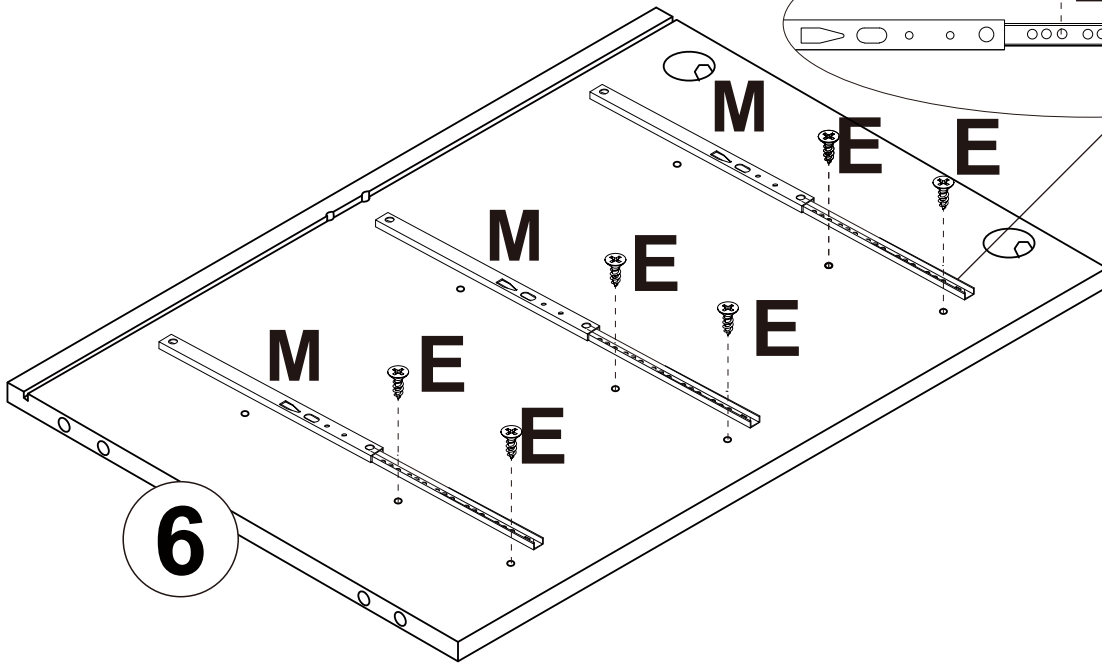
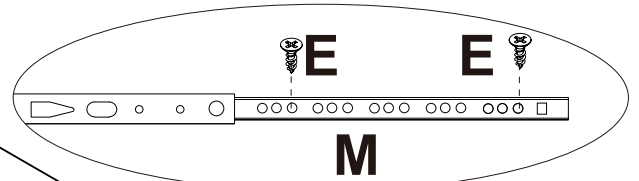
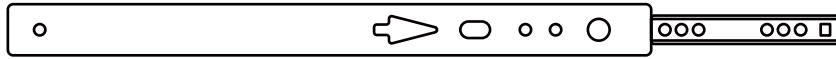
Please make sure screw the correct hole at Hardware E.

7

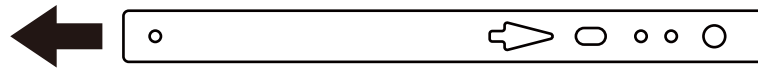
Stretch Hardware M and fix it to the other side of Part 6 with Screw E.



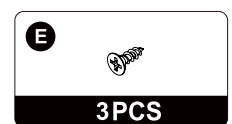
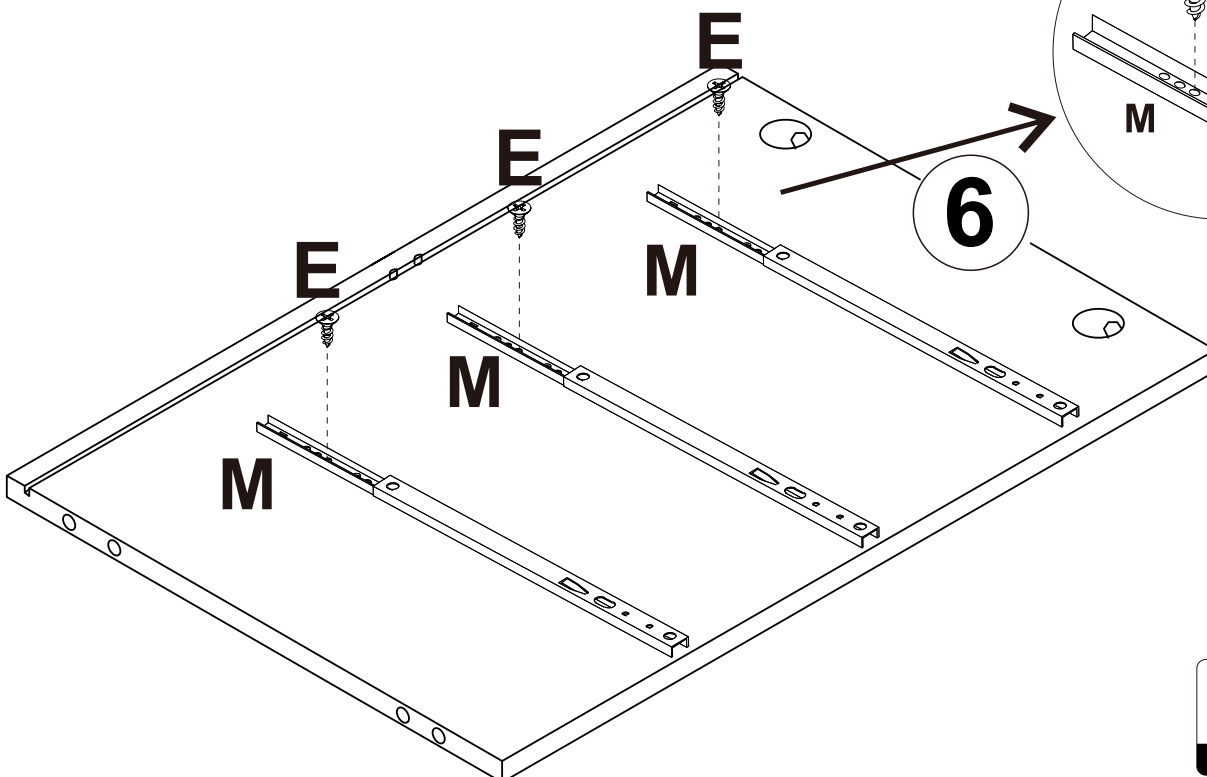
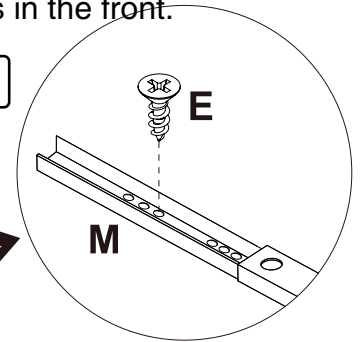
This arrow goes in the front.



8

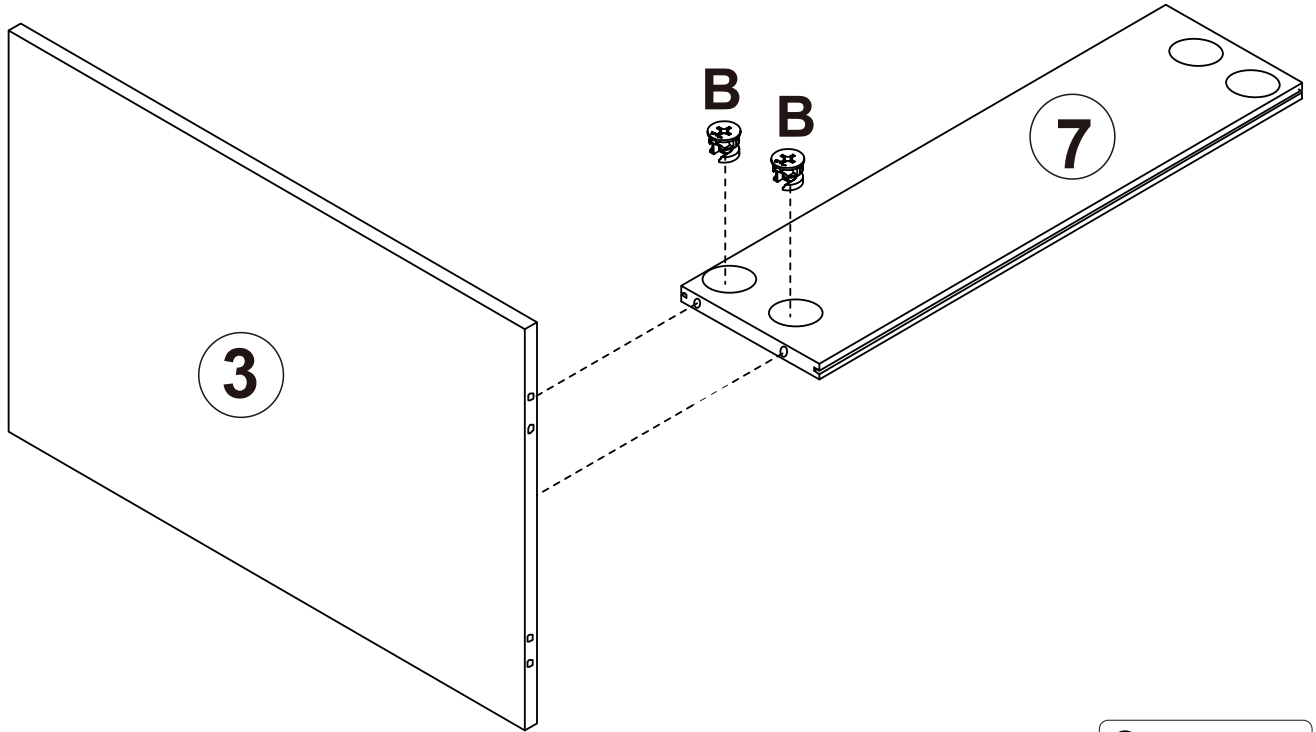


This arrow goes in the front.



Please make sure screw the correct hole at Hardware E.

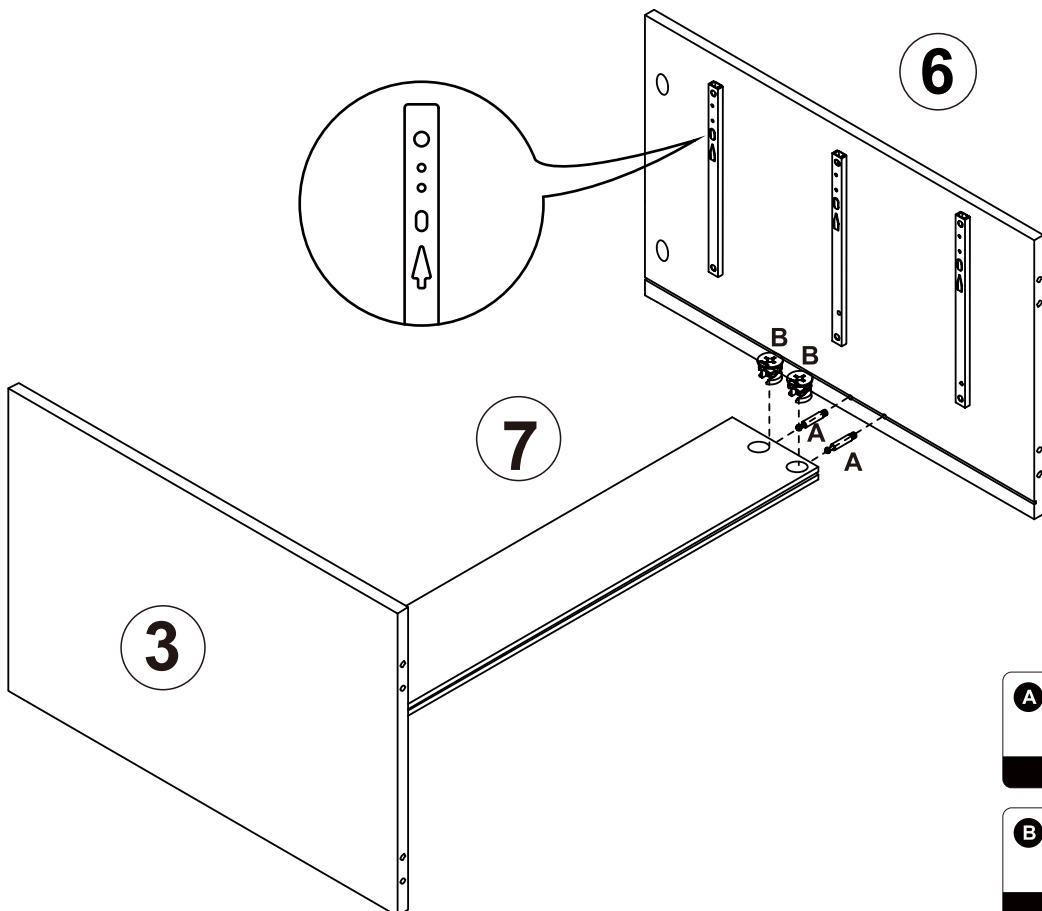
9



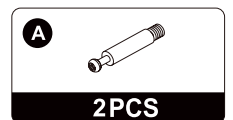
Connect Part 3 to Part 7 with Hardware B.



10

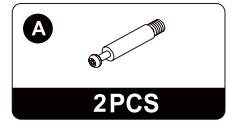
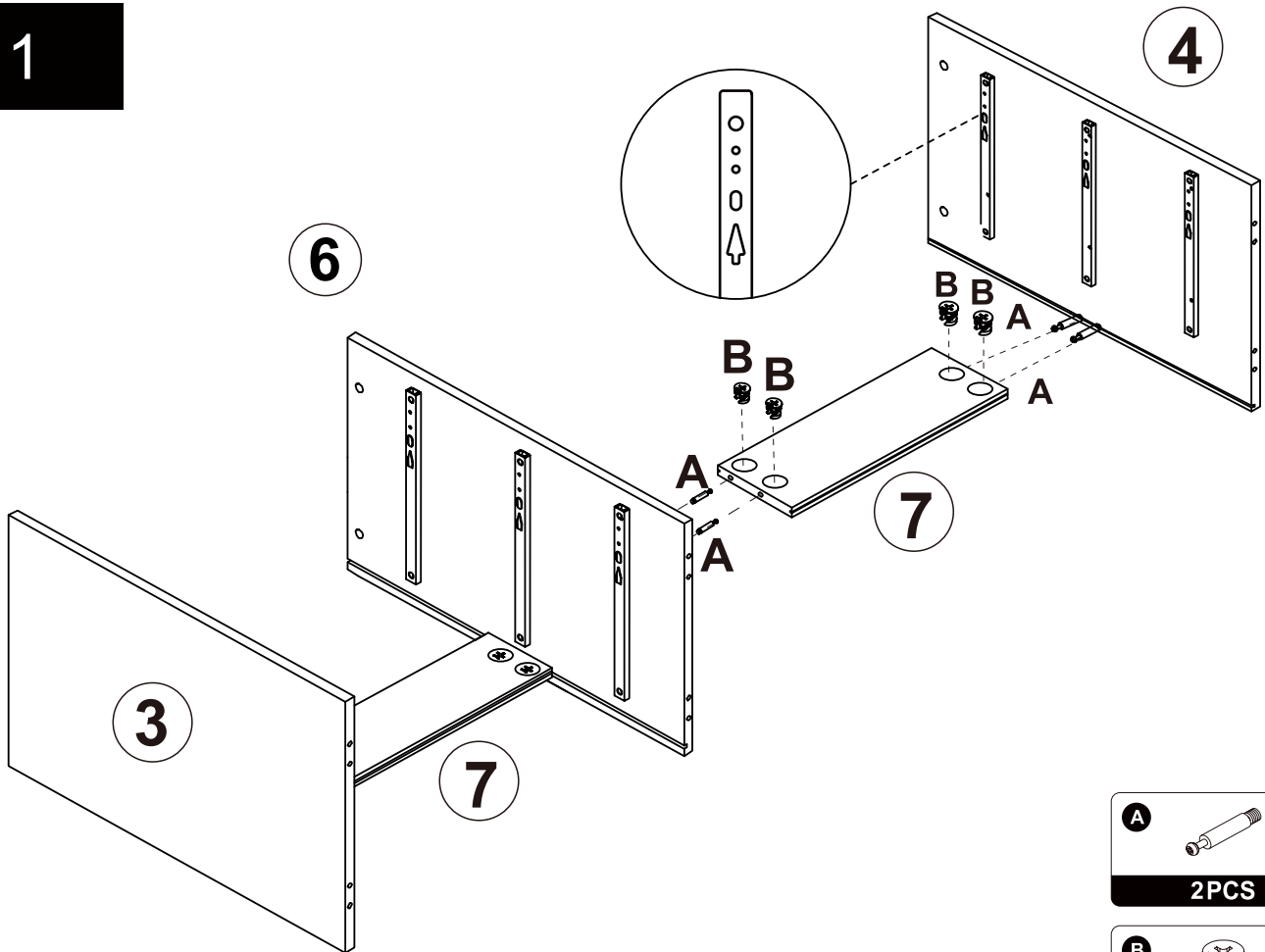


Connect Part 6 to Part 7 with Hardware A/B.



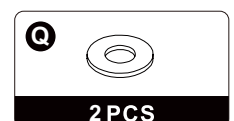
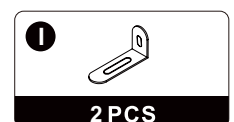
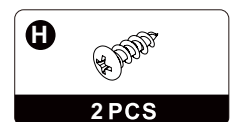
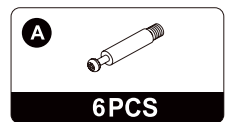
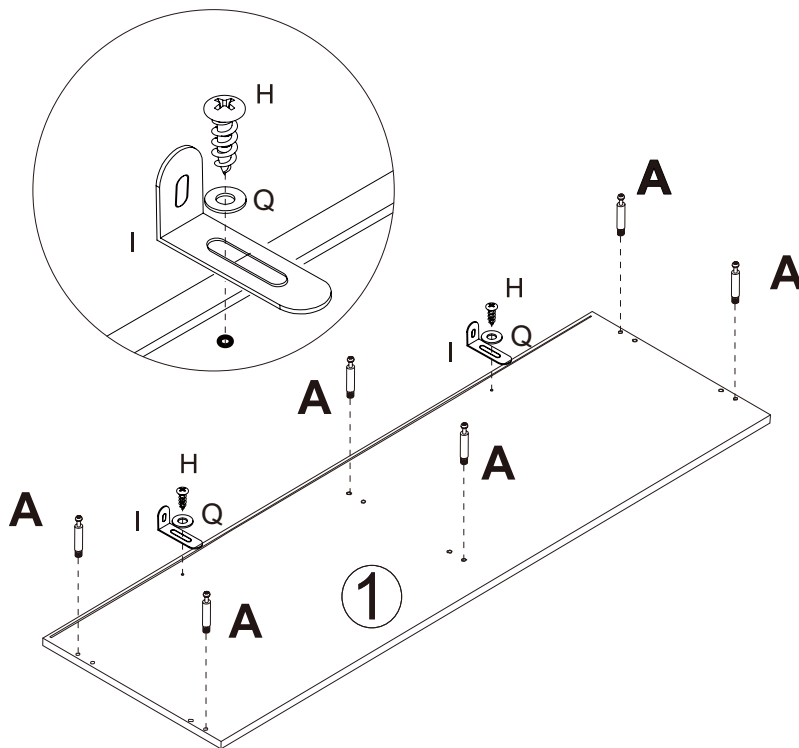
Connect Part 6 to Part 7 with Hardware A/B.

11



Connect Part 4 to Part 7 with Hardware A/B.

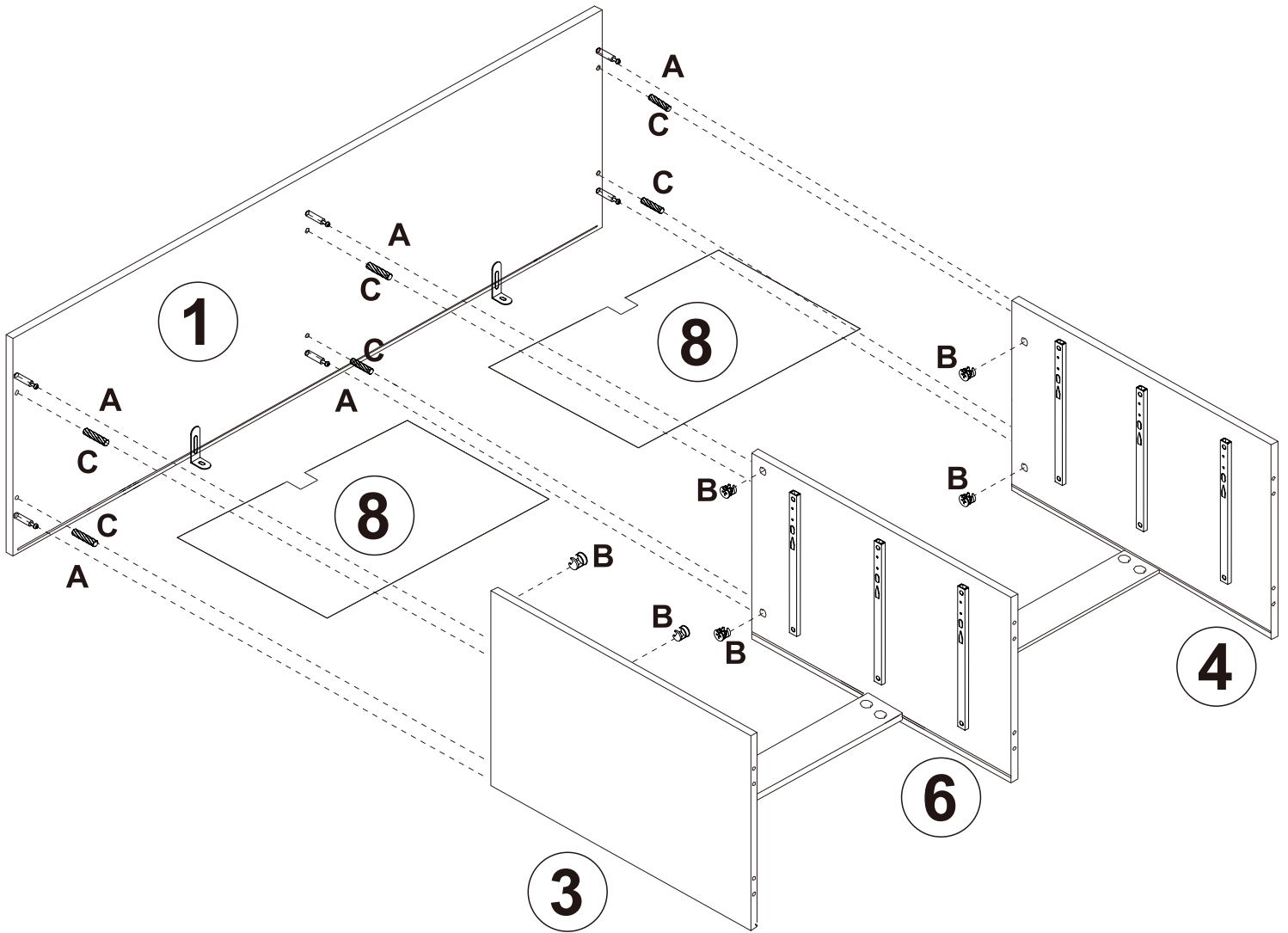
12



Screw Hardware A to Part 1.

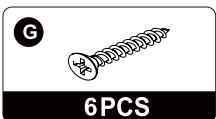
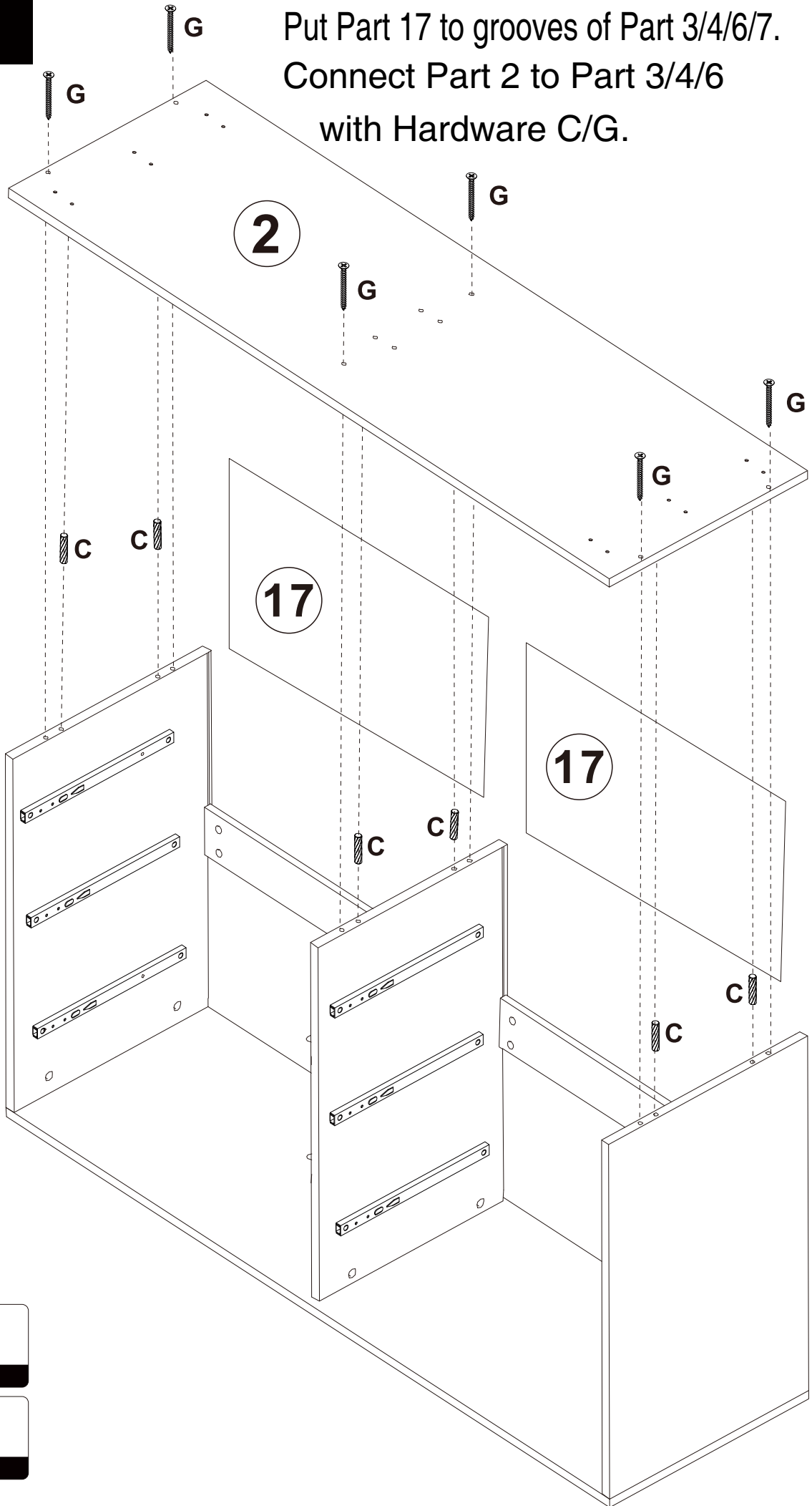
Put Part 8/8 to grooves of Part 3/4/6/7.

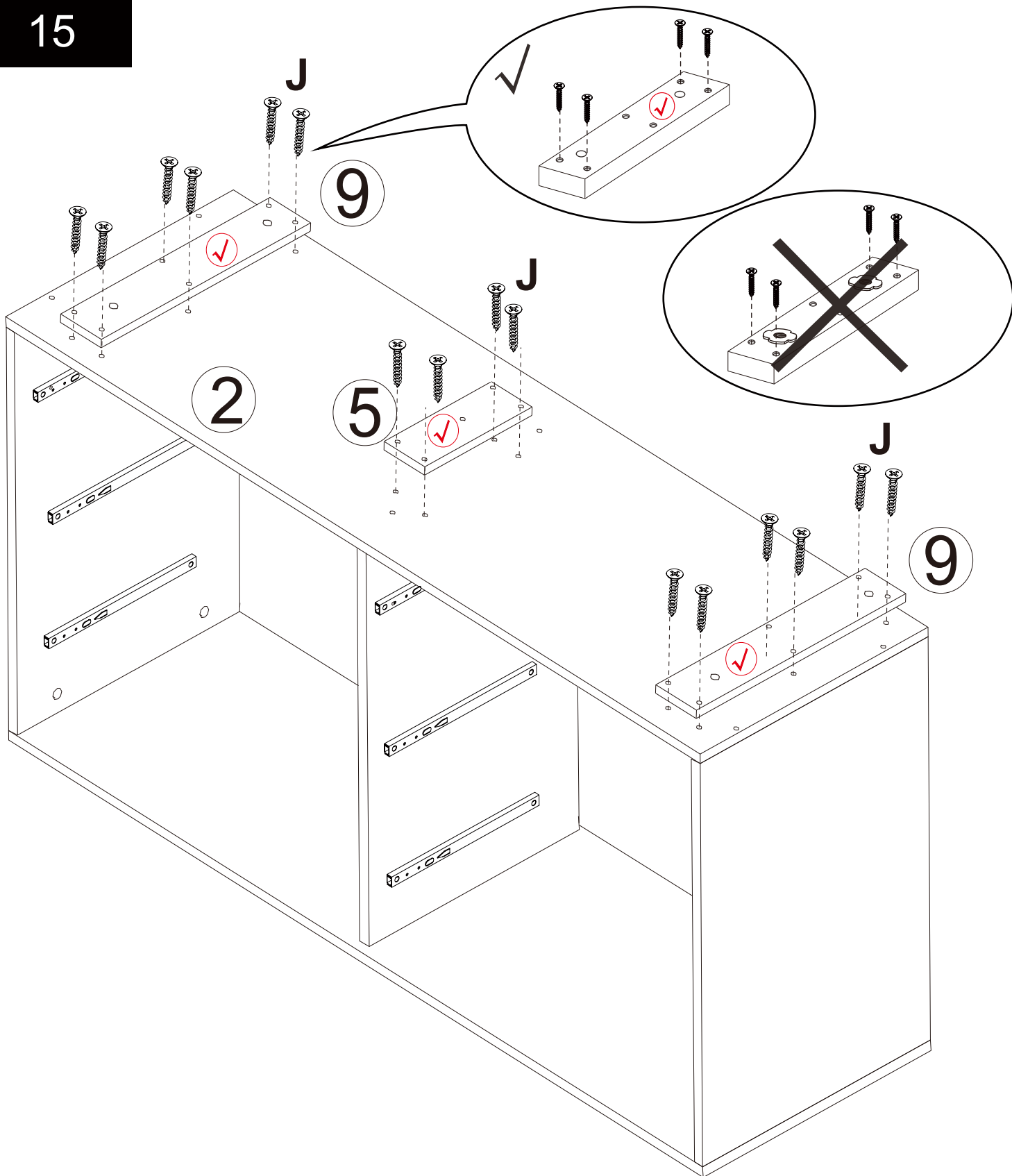
Connect Part 1 to Part 3/4/6 with Hardware A/B/C.



14

Put Part 17 to grooves of Part 3/4/6/7.
Connect Part 2 to Part 3/4/6
with Hardware C/G.





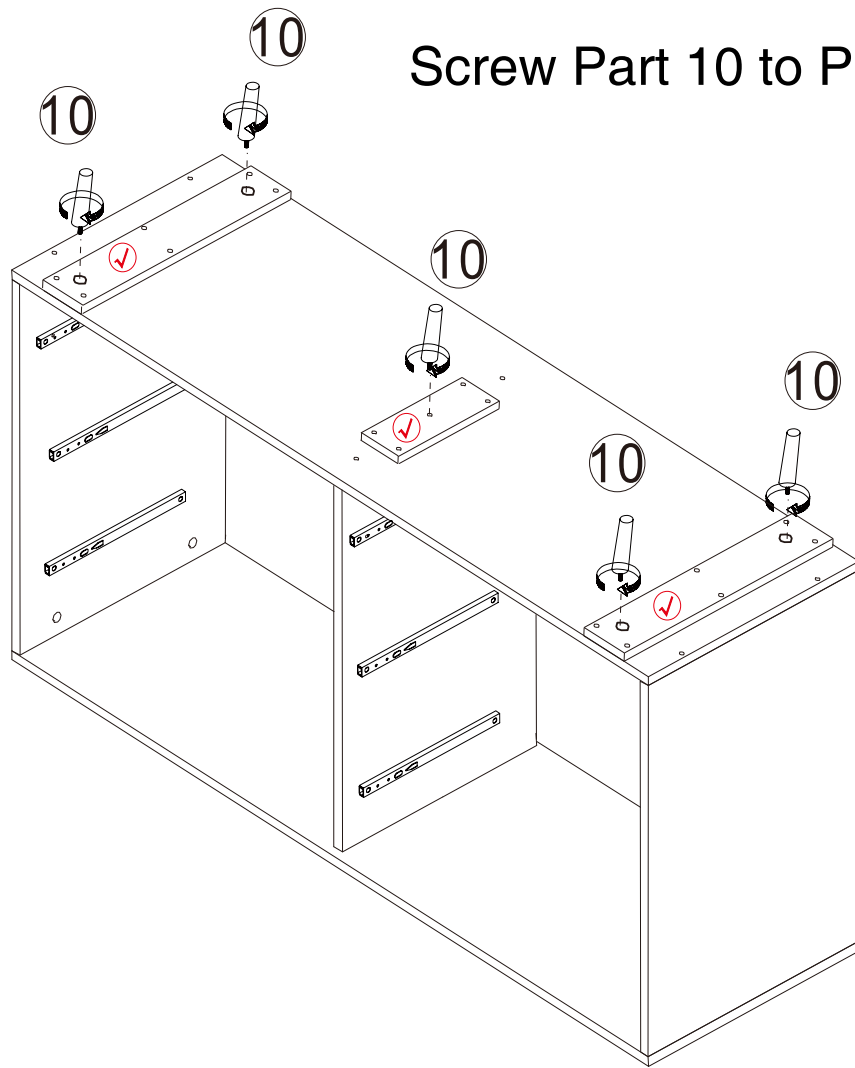
Connect Part 5/9 to Part 2 with Screw J.



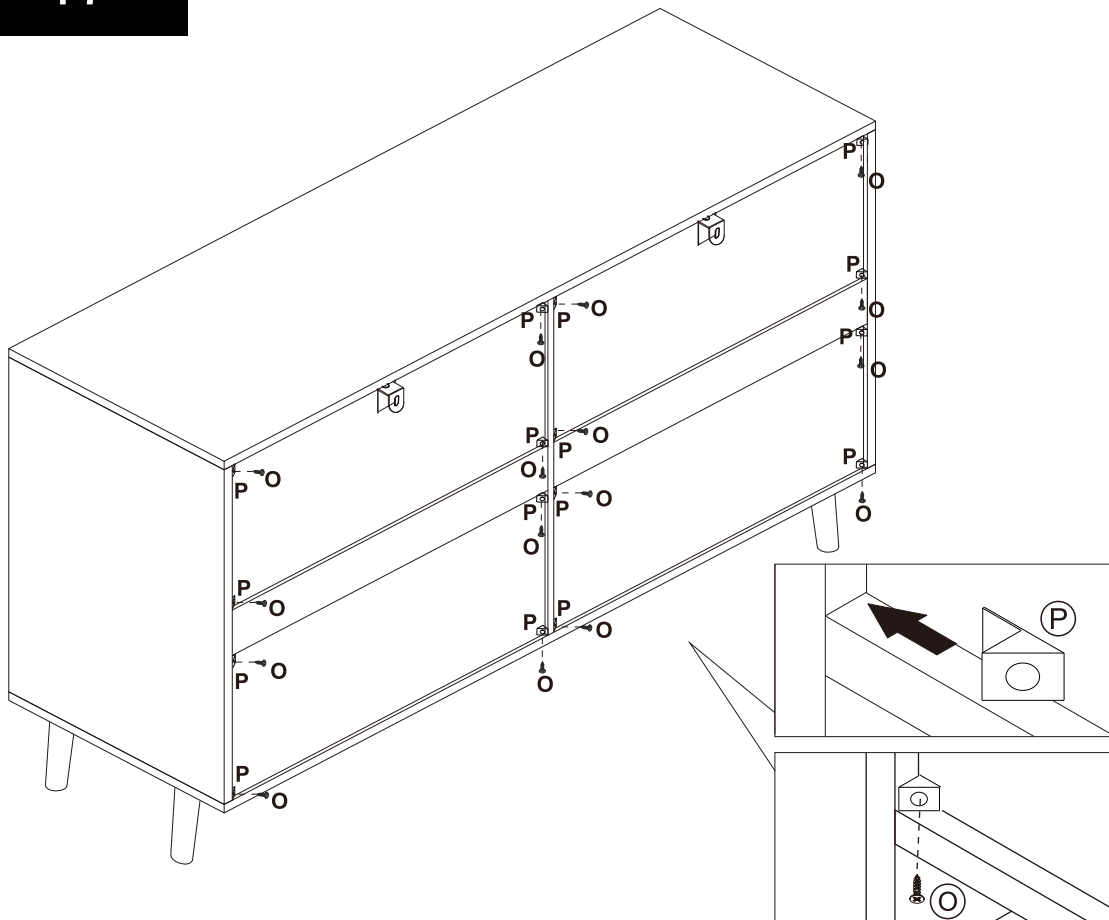
ATTENTION: When you assemble the part 5 or part 9 to the board 2 and see the ✓ facing your face, that means the direction of the part 5 or part 9 is right.


16


Screw Part 10 to Part 5/9.



17



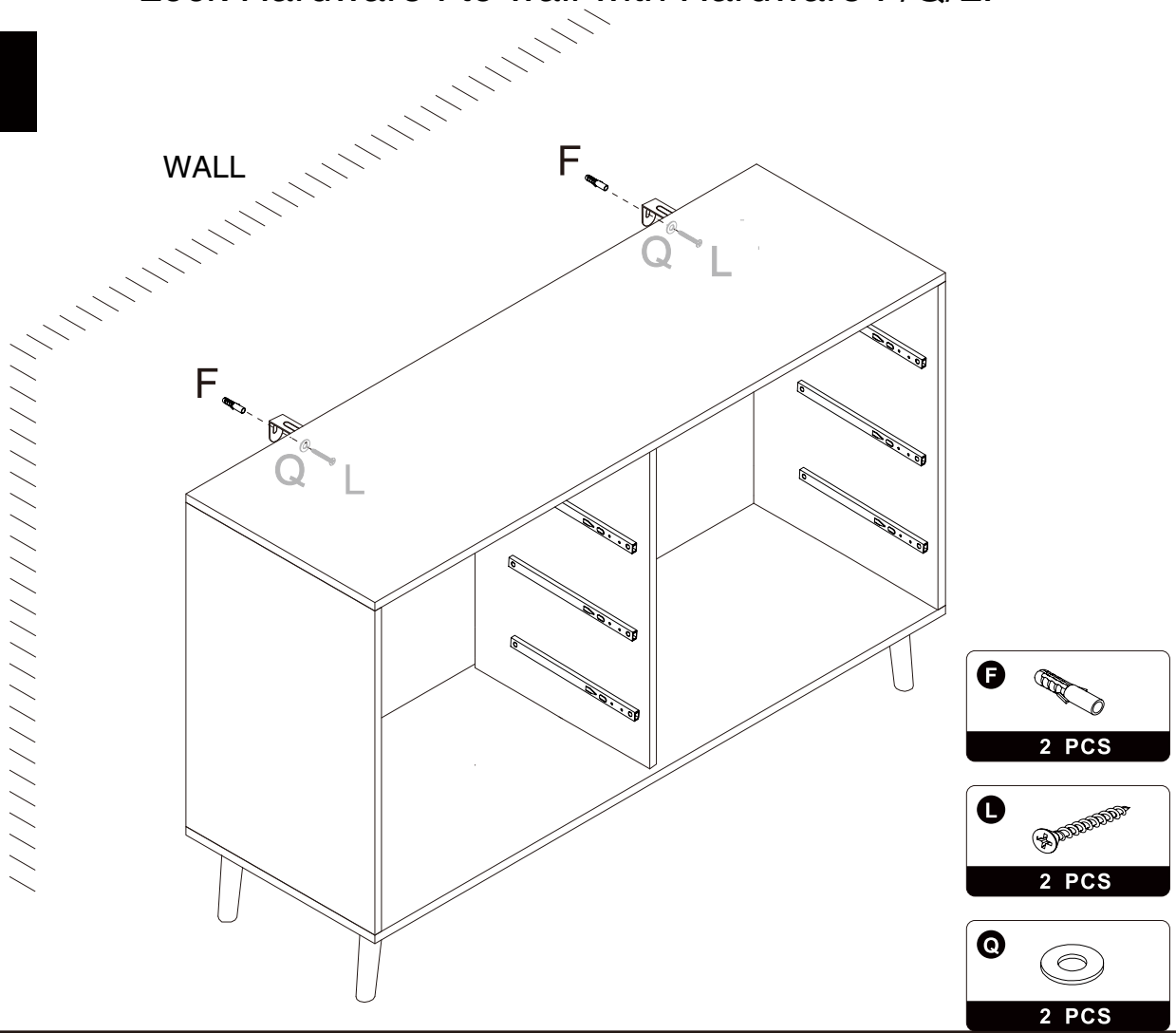
O 
16PCS

P 
16PCS

Connect Part P to Cabinet with Screw O.

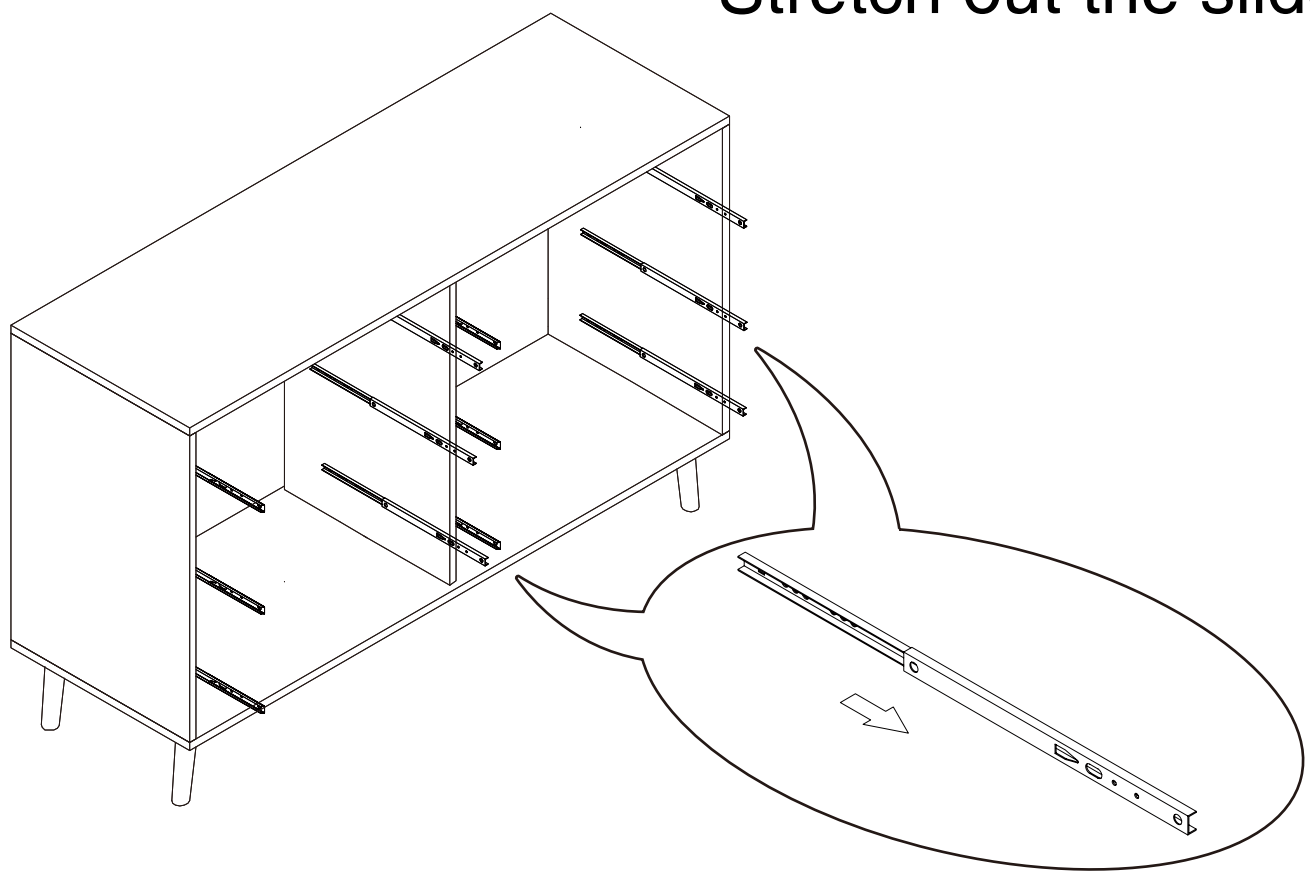
Lock Hardware I to wall with Hardware F/Q/L.

18

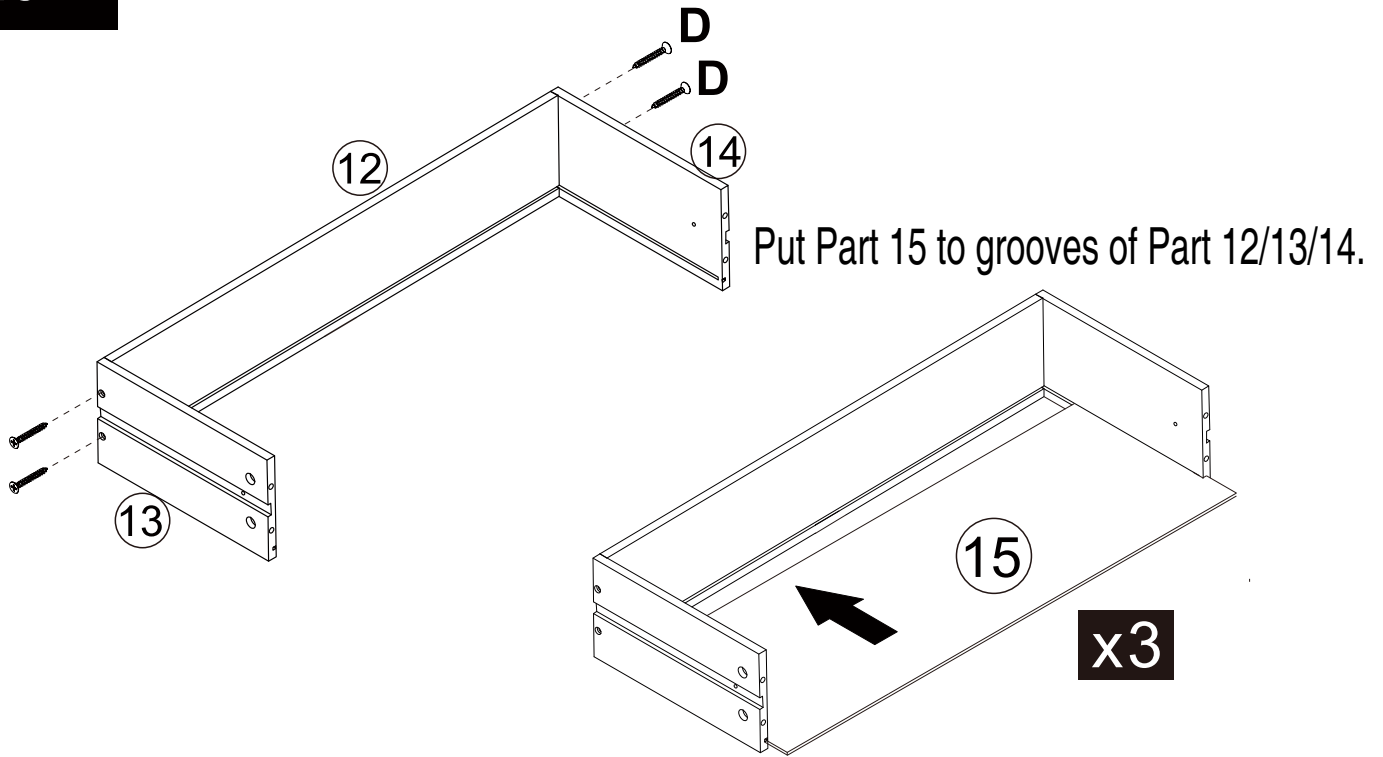


19

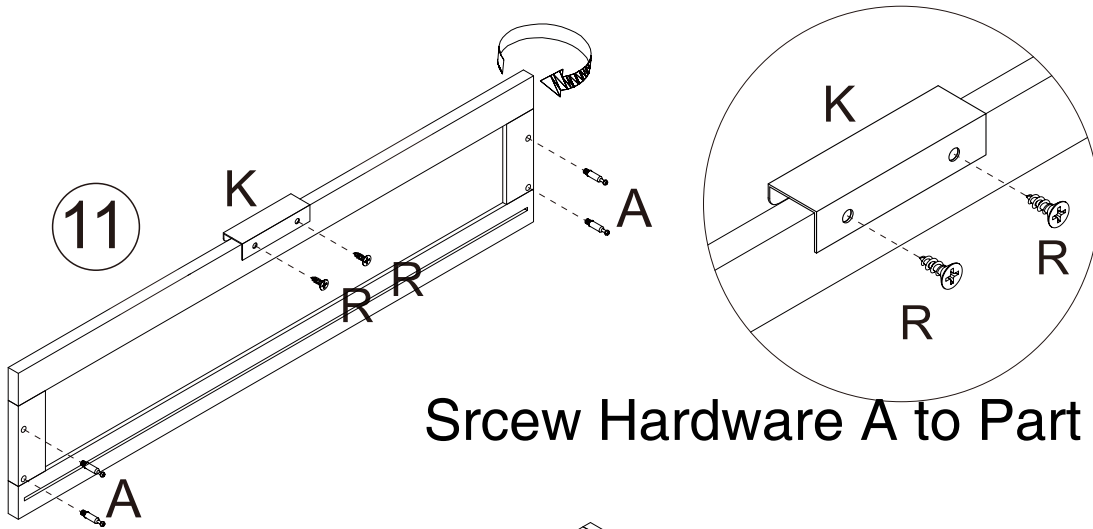
Stretch out the sliders.



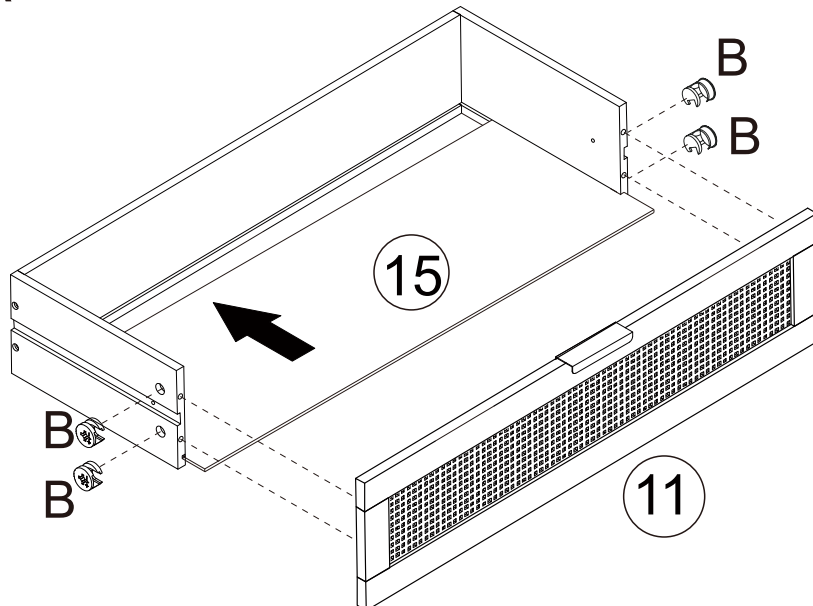
Connect Part 13/14/17 to Part 12 with Screw D.




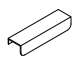



Connect Hardware K to Part 11 with Screw R.



Srcew Hardware A to Part 11.

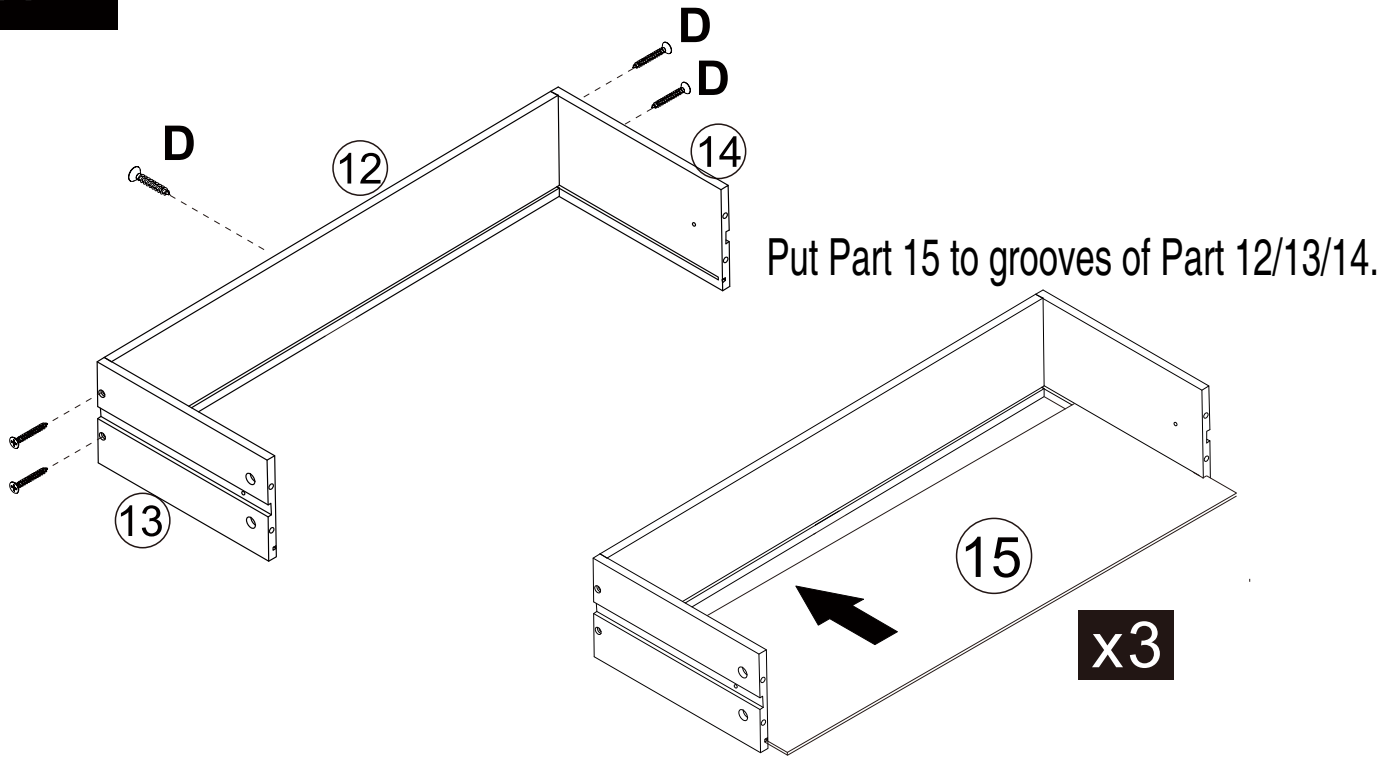


- A**  12 PCS
- B**  12 PCS
- D**  12 PCS
- K**  3 PCS
- R**  6 PCS

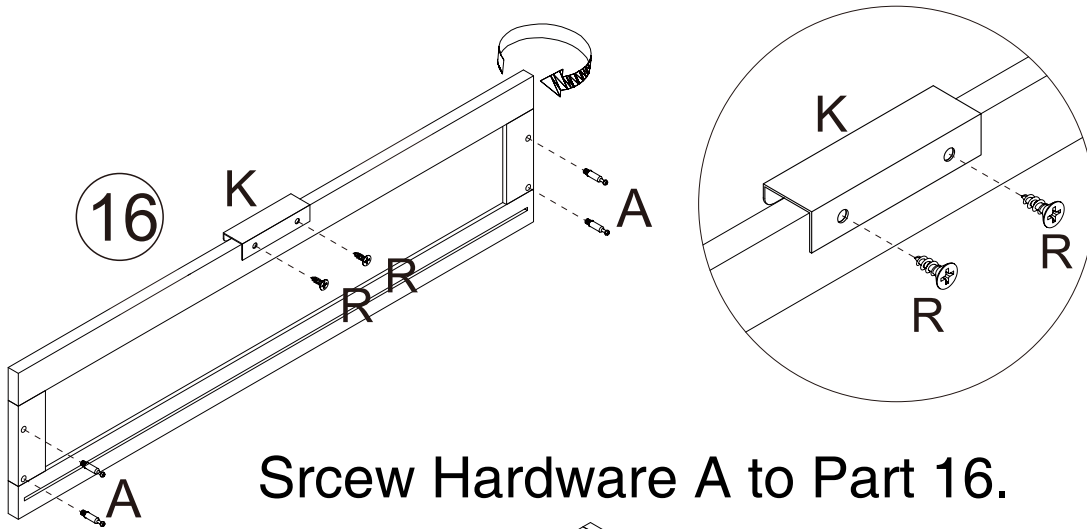
Connect Part 11 to Part 13/14 with Hardware B

21

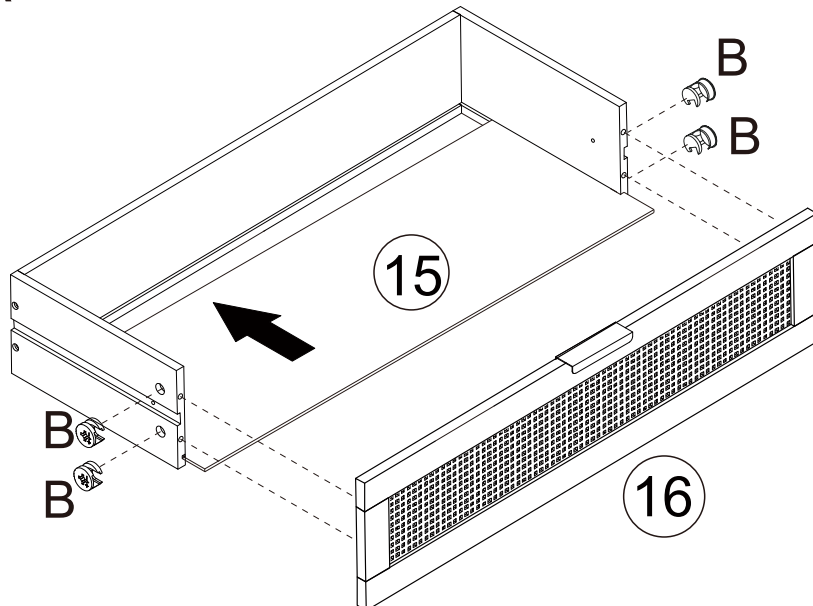
Connect Part 13/14/17 to Part 12 with Screw D.

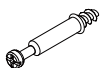






Connect Hardware K to Part 16 with Screw R.



Srcew Hardware A to Part 16.



- A**  12PCS
- B**  12PCS
- D**  12PCS
- K**  3PCS
- R**  6PCS

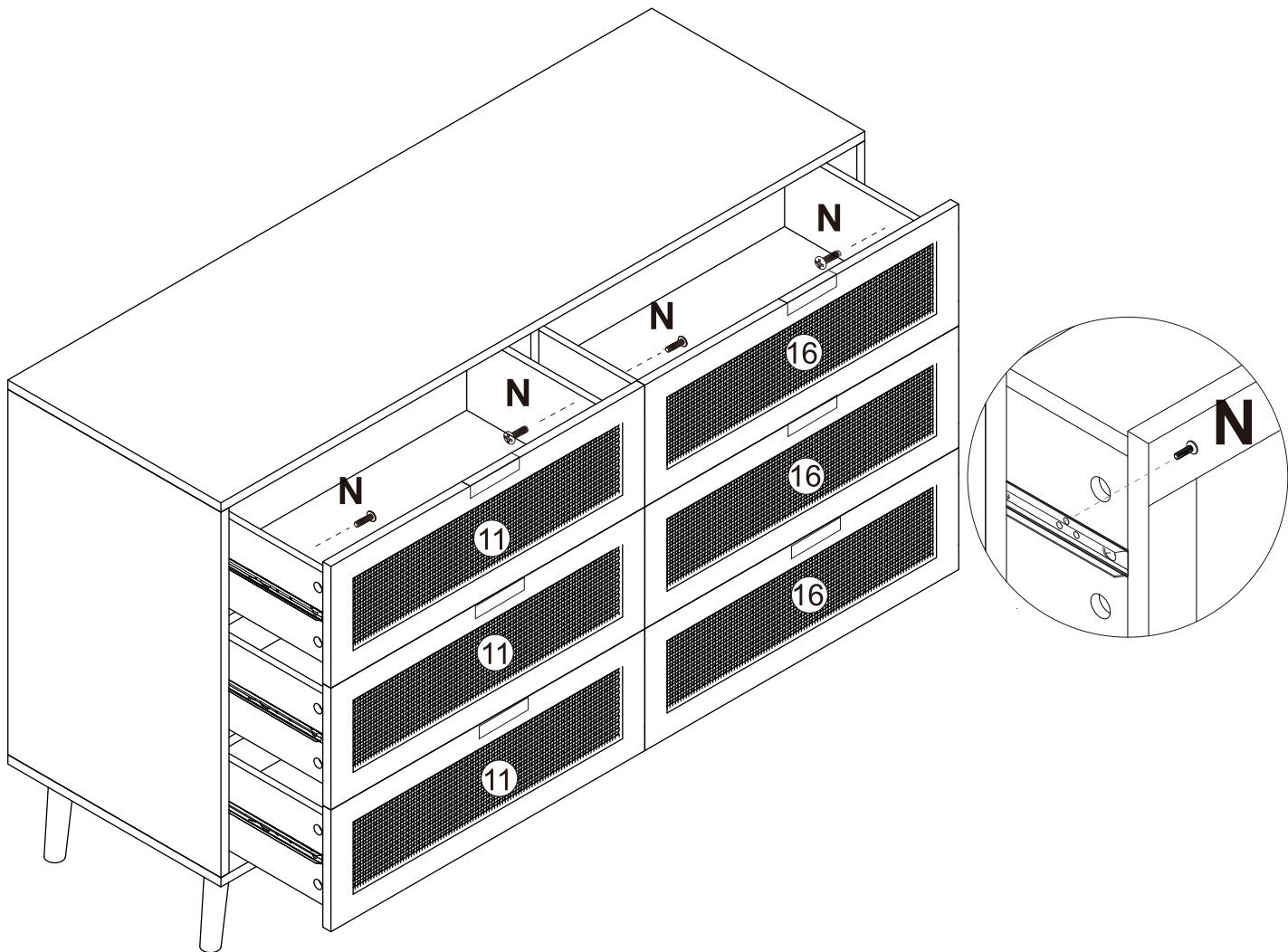
Connect Part 16 to Part 13/14 with Hardware B

Put drawers to shelf of cabinet locked with Screw N.

The drawers are divided into left and right sides

Drawers with part 11 are on the left.

Drawers with part 16 are on the right.



Congratulations on your successful installation of this product!