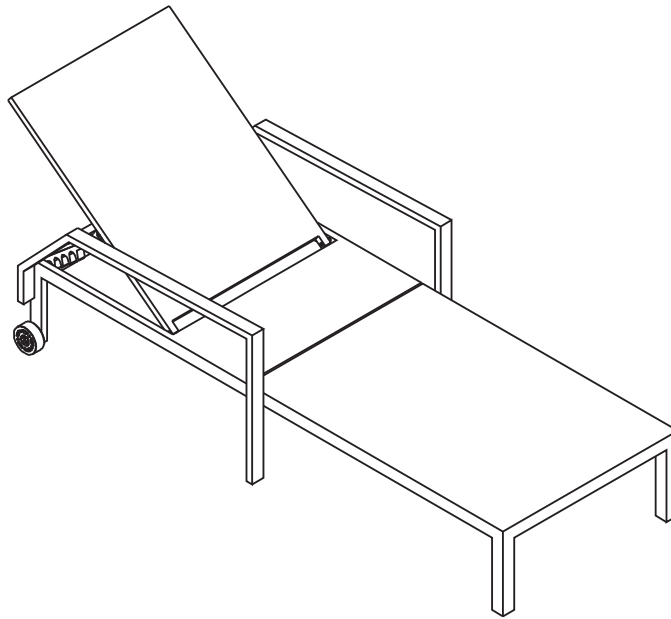
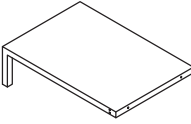
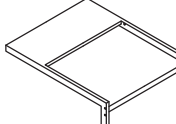
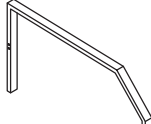
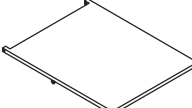
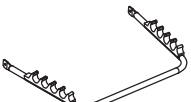

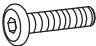
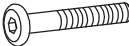
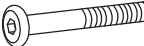
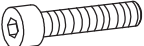



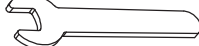






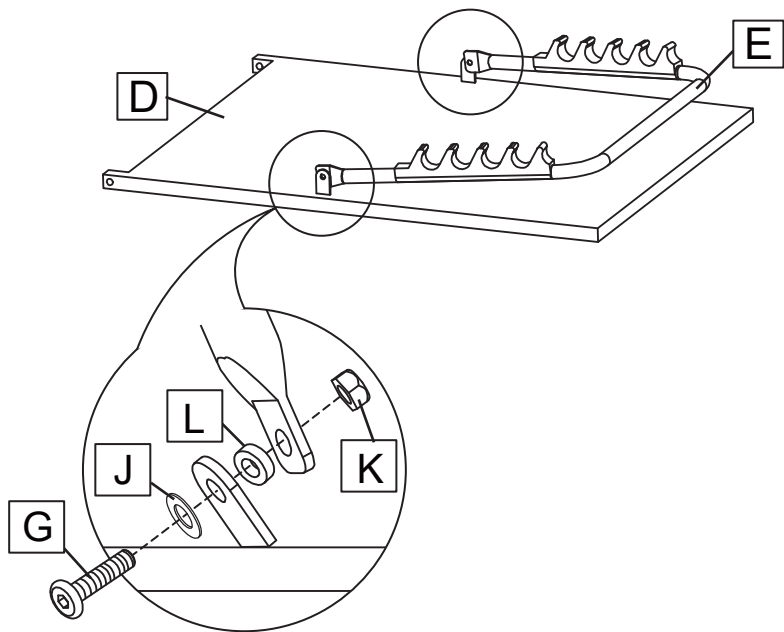
ASSEMBLY INSTRUCTIONS







Parts List

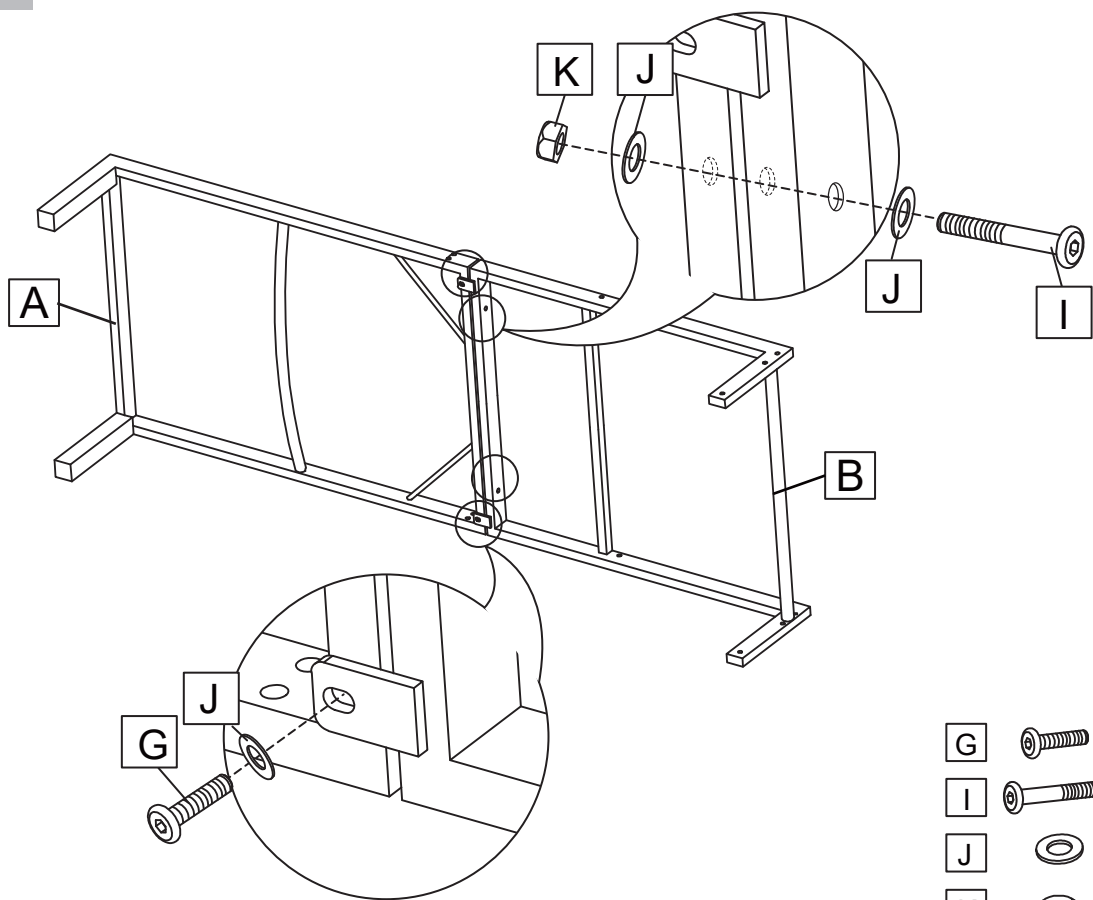
 1PC	 1PC	 2PCS	 1PC	 1PC	 2PCS
Front seat panel	Rear seat panel	Arm Panel	Backrest Panel	U Bar	Plastic Wheel
 (M6*25mm) 4PCS Short Bolt	 (M6*45mm) 6PCS Medium Bolt	 (M6*60mm) 6PCS Long Bolt	 (M8*40mm) 2PCS Short Bolt	 (M6mm) 4PCS Nut	 (M5mm) 2PCS Plastic Washer M Size
Short Bolt	Medium Bolt	Long Bolt	Short Bolt	Nut	Plastic Washer M Size
 (M8mm) 2PCS Plastic Washer L Size	 (M6mm) 1PC Wrench	 (M6mm) 18PCS Washer	 (M8mm) 4PCS Washer	 (M6mm) 1PC  (M8mm) 1PC Allen Key	
Plastic Washer L Size	Wrench	Washer	Washer	Allen Key	





STEP1



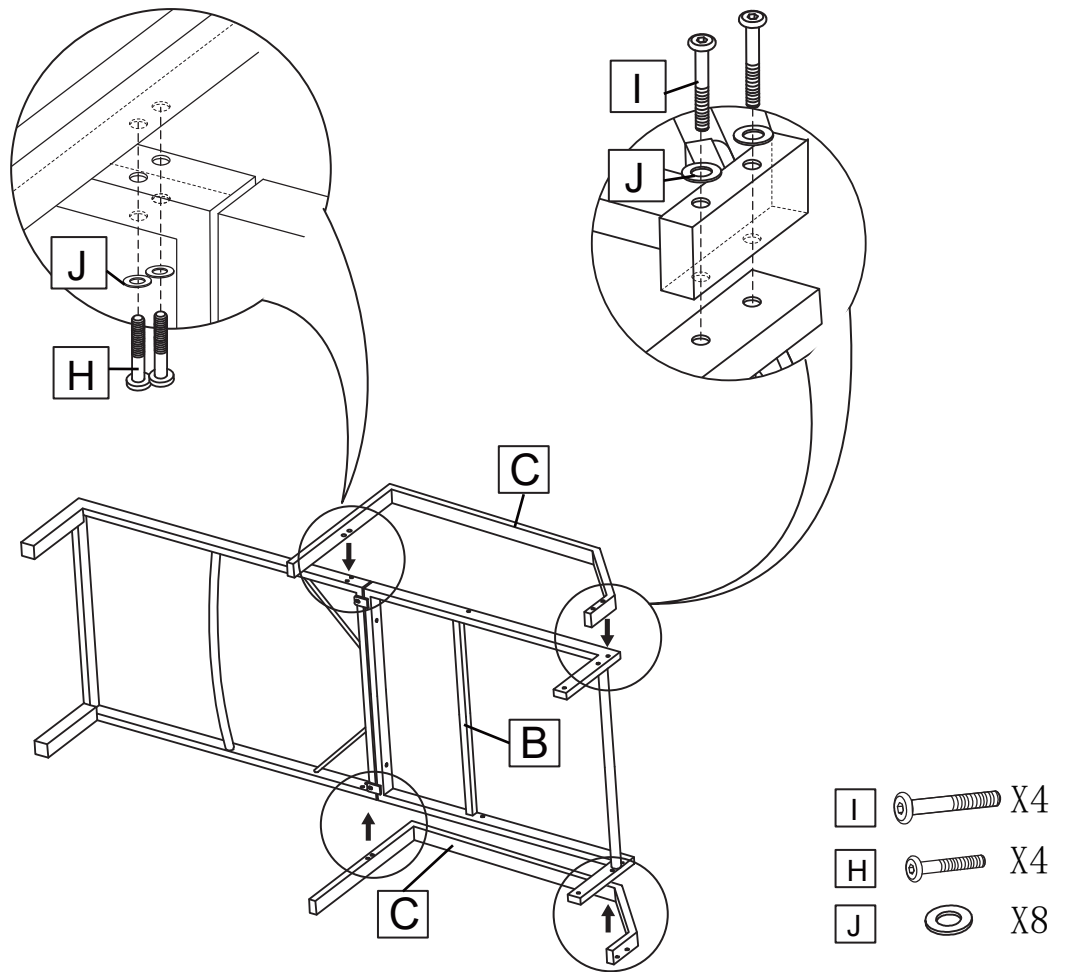
- G**  X2
- J**  X2
- K**  X2
- L**  X2

STEP2

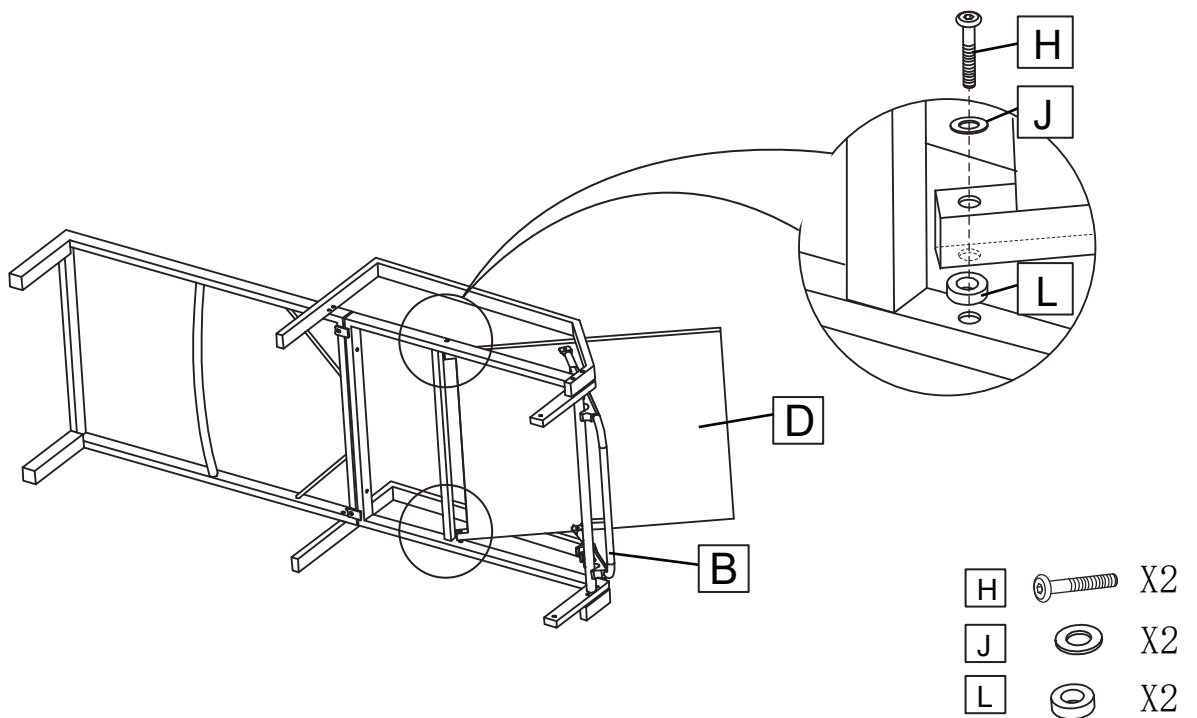


- G**  X2
- I**  X2
- J**  X6
- K**  X2

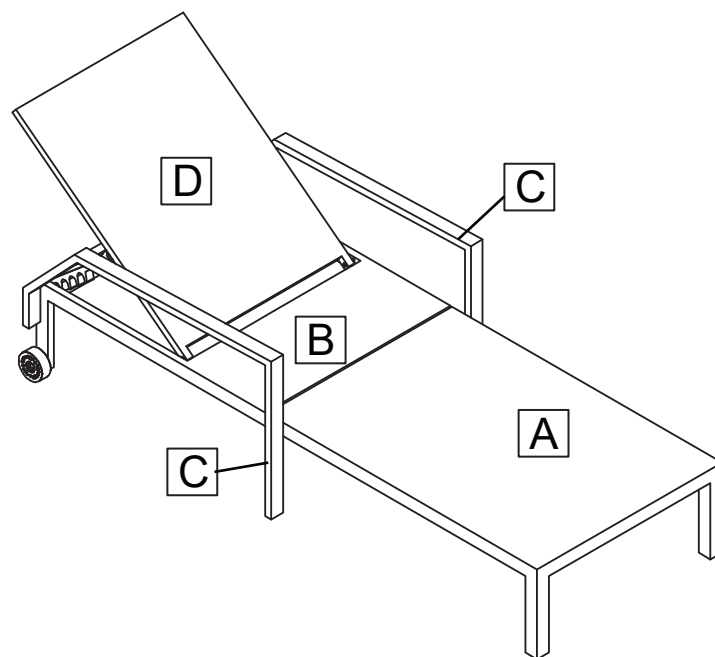
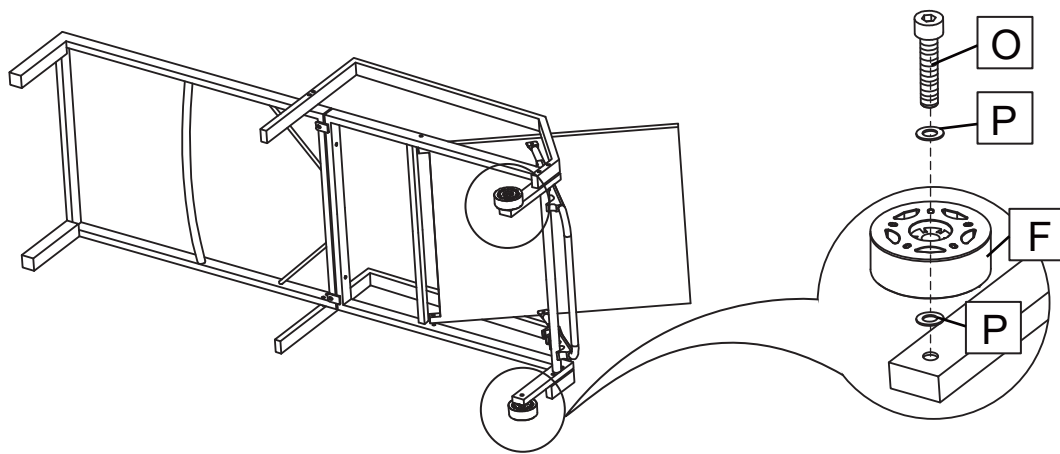
STEP3



STEP4



STEP5



Attention

1. We care about every customer's using experience, please feel free to chat us if has anything missing or damaged or any advice, efficient solution would be offered soon.
2. Recommend to use waterproof furniture cover for patio chaise lounge when out of use to keep them longer performance.
3. Chaise lounge cushion cover can be removable and clean up by cleaner when have stains.