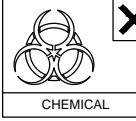
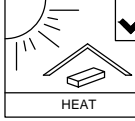




SOFT, DRY CLOTH



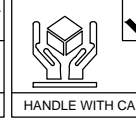
CHEMICAL



HEAT



KEEP DRY



HANDLE WITH CARE



DO NOT USE KNIFE

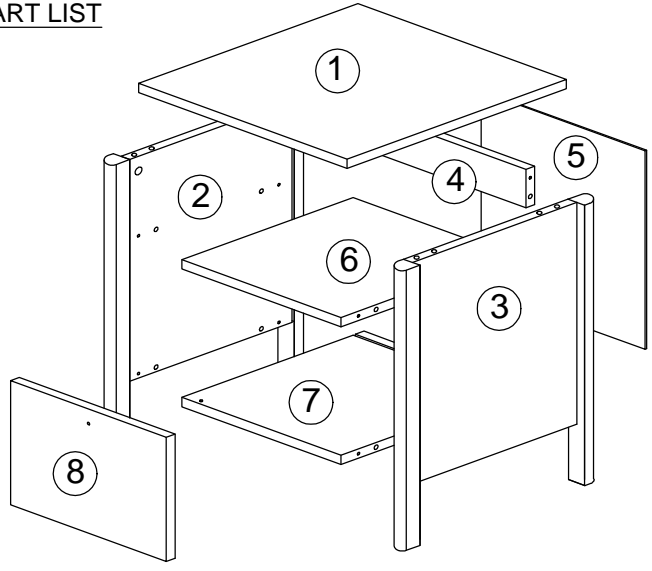
ASSEMBLY INSTRUCTION

DESCRIPTION : NIGHT STAND WITH 1 DOOR

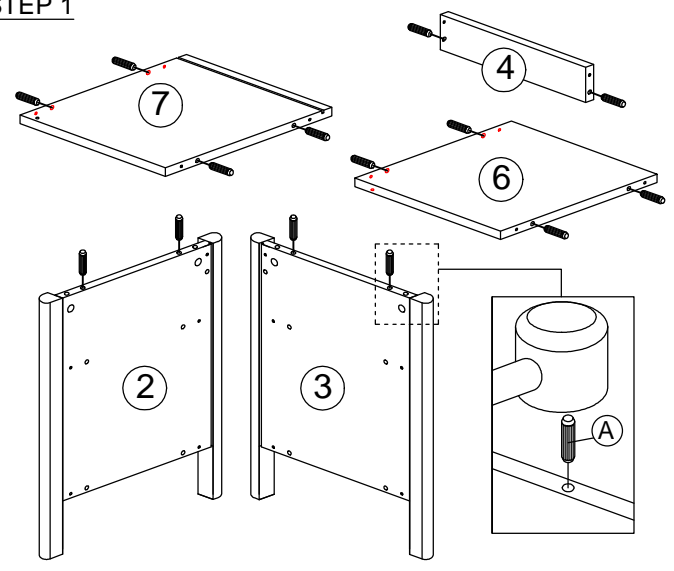
HARDWARE

A WOOD DOWEL M8 X 25MM 14	B CB SCREW M3.5X16MM 6	C C1 MINIFIX 5654+5546 14 SETS	C2 MINIFIX CAP 14	D D1 HANDLE SCREW CE2125 1	D2 HANDLE SCREW M4X19MM 4	E L KEY M4 1	F MT STOPPER 2	G G1 3.5KG MAGNET METAL PIECE (1 HOLE) 1 SET	G2 METAL PIECE 1	G3 CB SCREW M3X12MM 1	H FOOT PAD -22MM 4
---	--	--	------------------------------------	---	---	-------------------------------	---------------------------------	---	-----------------------------------	---	-------------------------------------

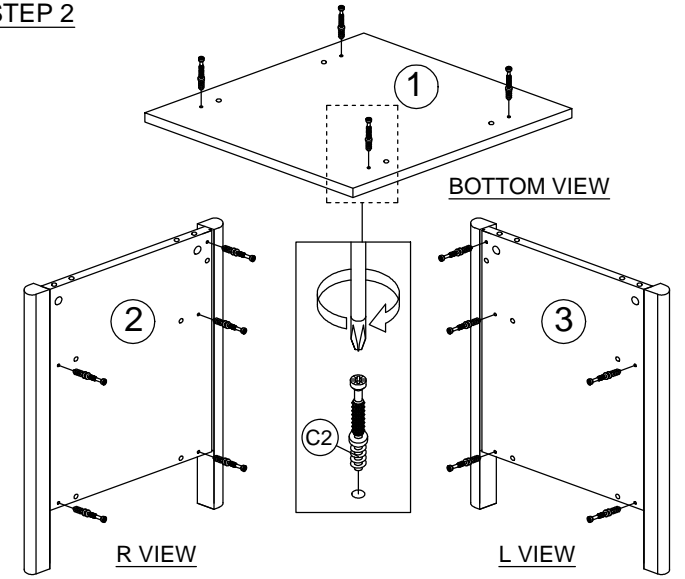
PART LIST



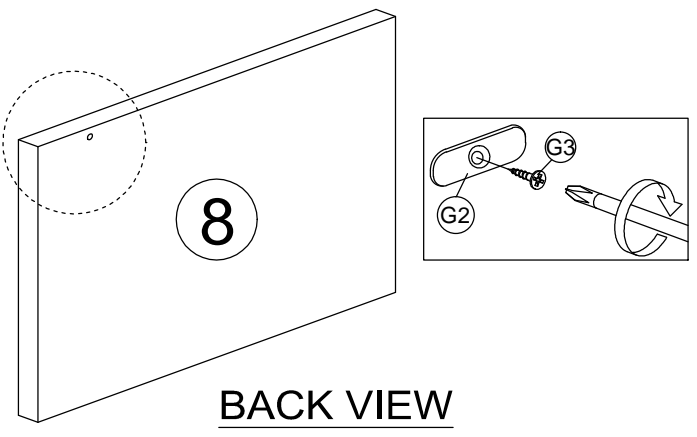
STEP 1



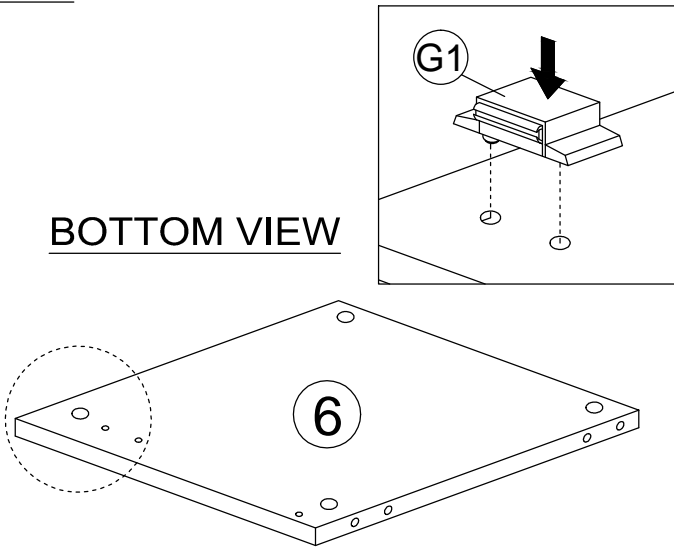
STEP 2



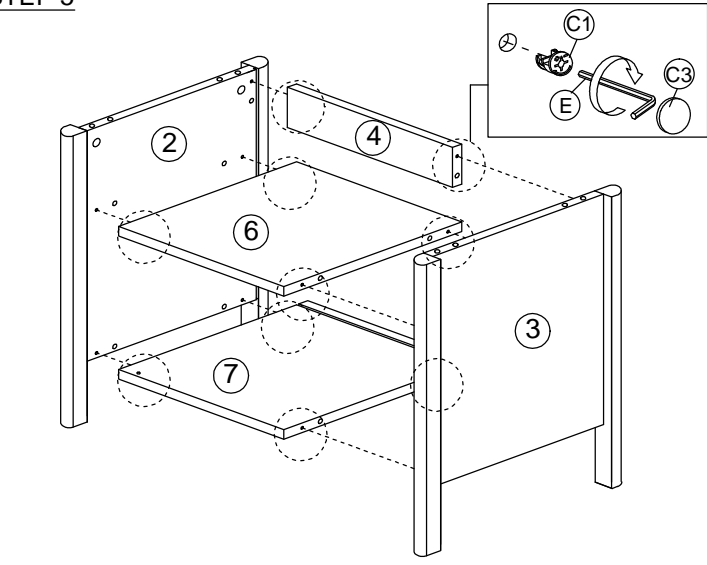
STEP 3

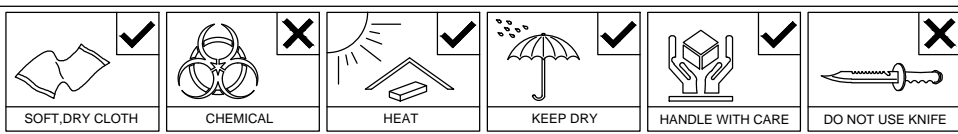


STEP 4



STEP 5



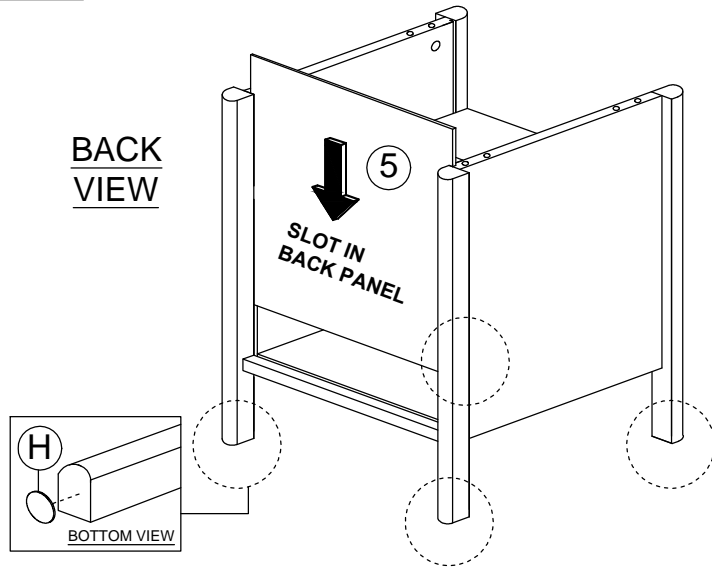


ASSEMBLY INSTRUCTION

DESCRIPTION : NIGHT STAND WITH 1 DOOR

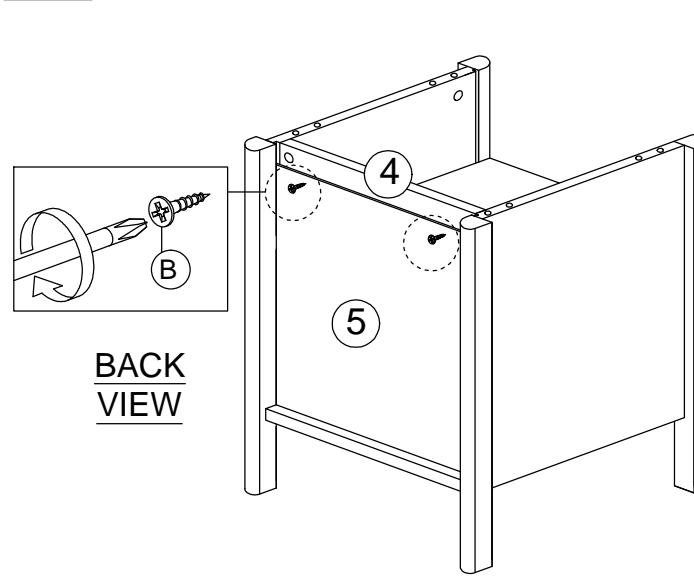
STEP 6

BACK VIEW

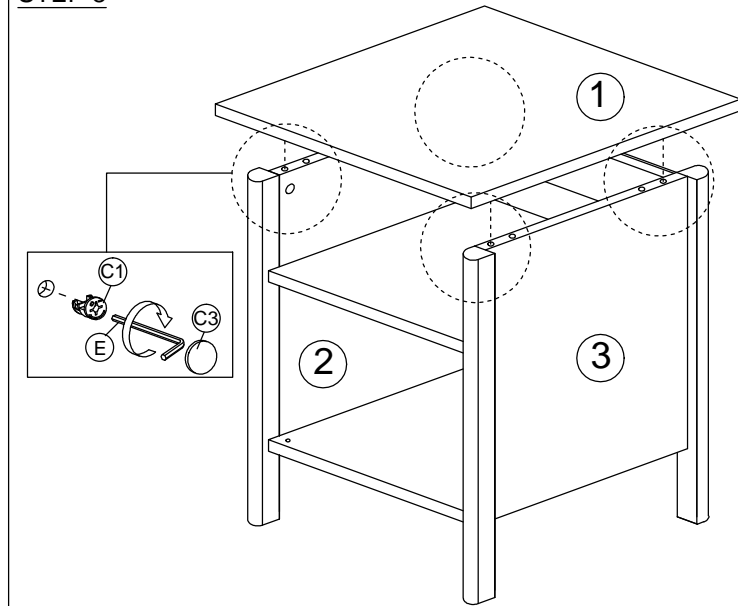


STEP 7

BACK VIEW

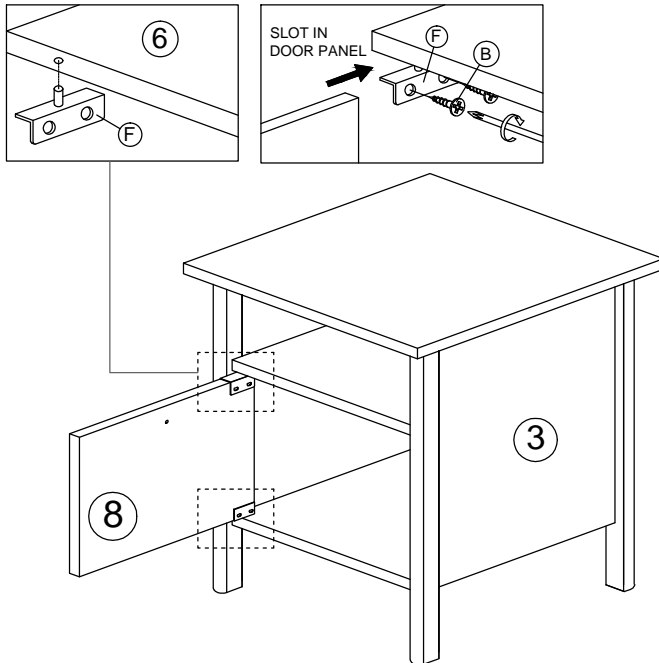


STEP 8

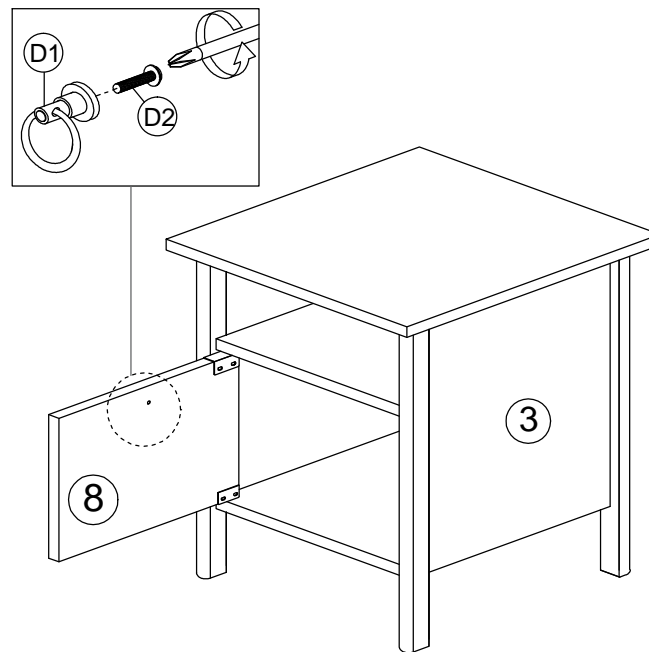


STEP 9

SLOT IN DOOR PANEL



STEP 10



COMPLETED

