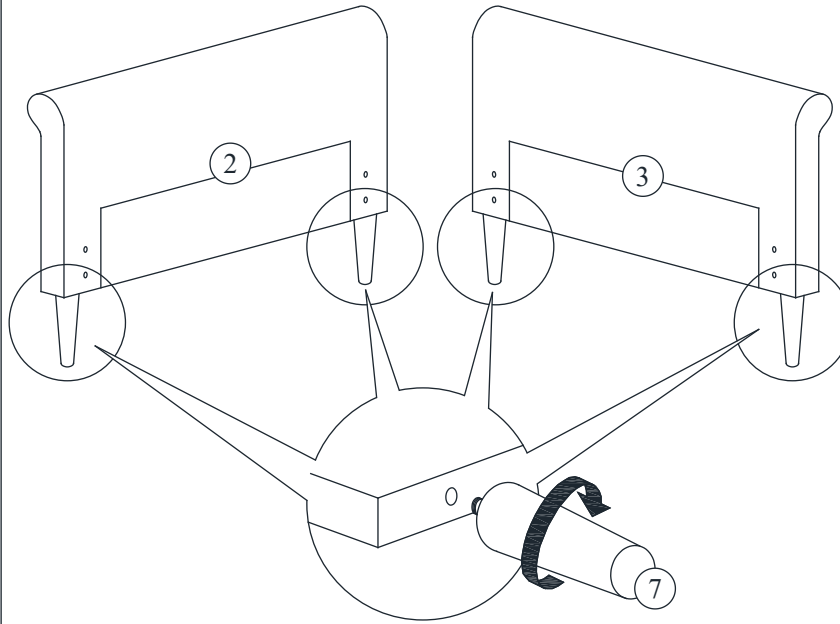
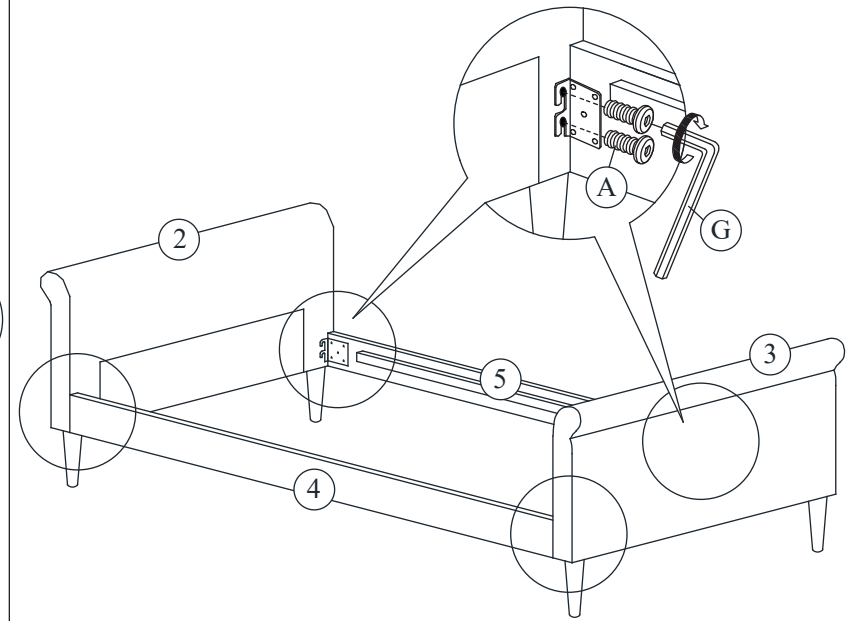


ASSEMBLY INSTRUCTION

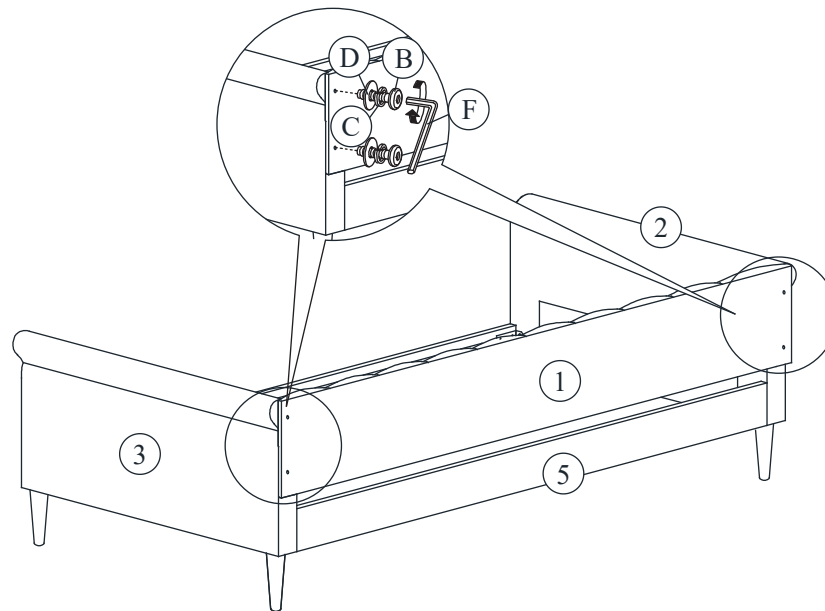
STEP 1



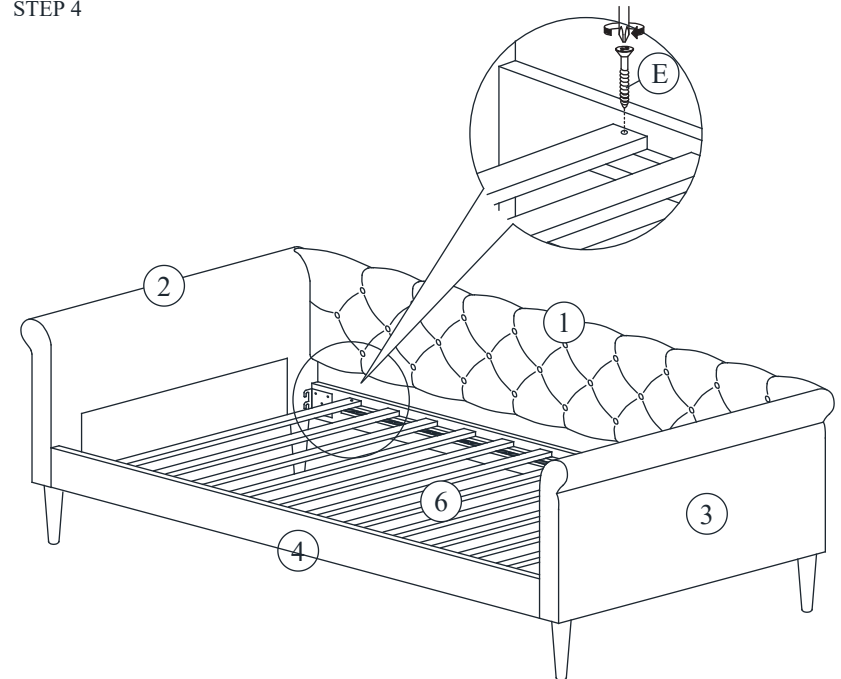
STEP 2


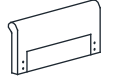
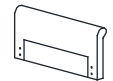













STEP 3



STEP 4



NO	PARTLIST	QTY
1	 BACK PANEL	1PC
2	 SIDE PANEL (L)	1PC
3	 SIDE PANEL (R)	1PC
4	 FRONT RAIL	1PC
5	 BACK RAIL	1PC
6	 SLAT	2SETS
7	 LEG	4PCS
ITEM	HARDWARE	QTY
A	 JCBB SCREW M8 x 20MM	8PCS
B	 JCBC SCREW M6 x 50MM	4PCS
C	 SPRING WASHER M6 x 12MM	4PCS
D	 FLAT WASHER M6 x 19MM	4PCS
E	 SCREW M4 x 32MM	8PCS
F	 L - KEY M4 x 100MM	1PC
G	 L - KEY M5 x 65MM	1PC