



OLYMPIA FAUCETS, INC.
3325 S. Garfield Ave.
Commerce, CA 90040
(888) 772-7701
www.olympiafaucets.com

INSTALLATION

Tools:



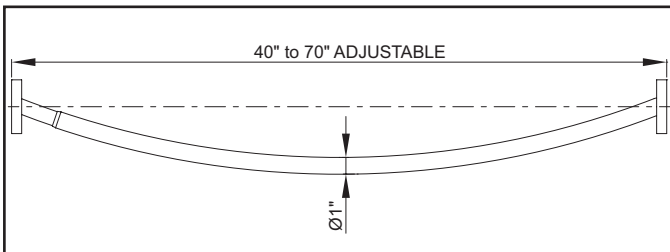
Power Drill Philips ScrewDriver Tape Measure Level Rags



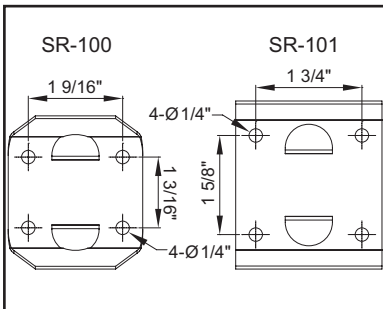
Model Number: SR-100, SR-101

Installation Steps:

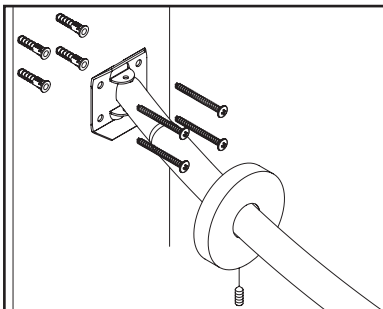
Shower Curtain Rod



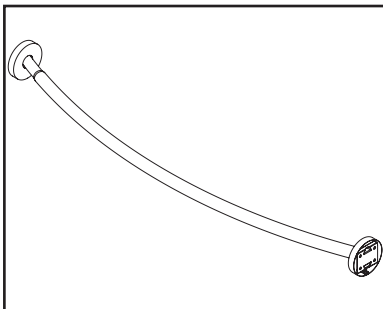
1. Prioritize verifying that the rod aligns with the intended installation dimensions. Notably, the rod's adjustable length spans from 40" to 70", boasting a sturdy 1" diameter.
2. Strategically determine the desired height for installation, emphasizing the importance of enlisting assistance for accurate measurement and precise leveling.
3. Methodically confirm the rod's alignment, utilizing a pencil to mark the precise locations for drilling mounting holes, ensuring a meticulously crafted installation.



- (2) Use the corresponding template found on the next page, Mark the precise location for drilling the mounting holes. Before Step 3: Please confirm the chosen template locations are leveled and aligned.

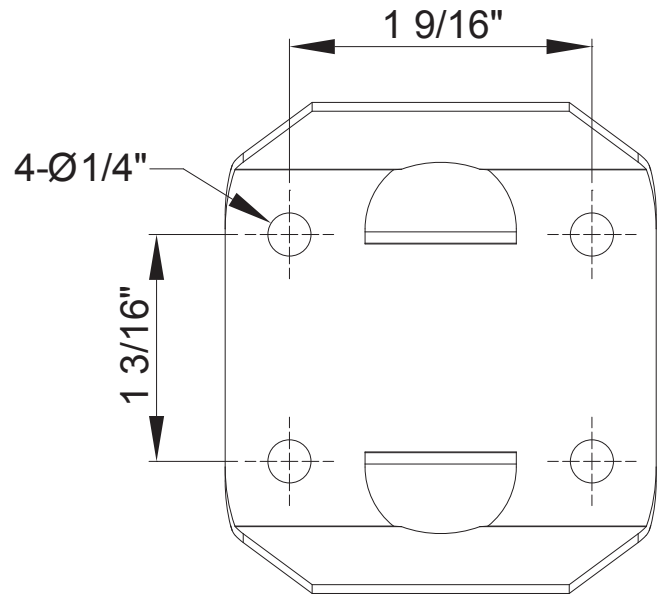
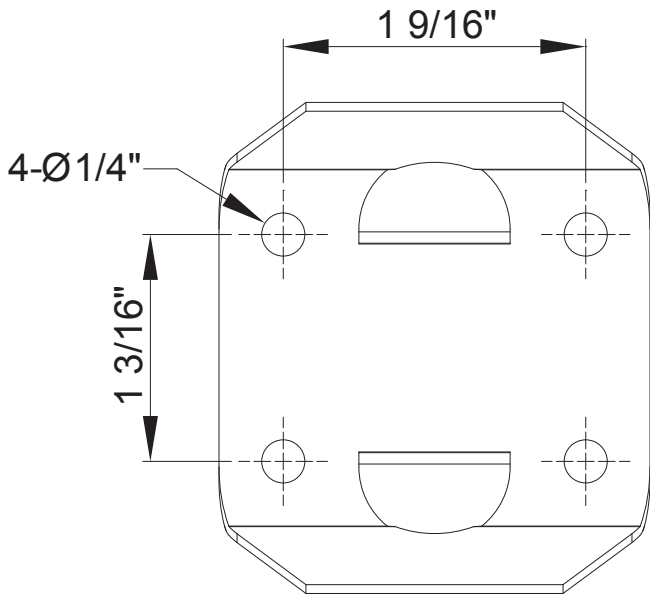


- (3) 1. Begin by drilling pilot holes onto the pencil markings, ensuring precision and accuracy in alignment.
2. Carefully insert the screw anchors into the prepared holes, confirming that they are fully seated to guarantee stability.
3. Utilizing a power drill, and with assistance from another individual holding the opposite end of the rod, securely fasten each screw onto the wall, maintaining proper alignment throughout.
4. After securely fastening the rod end, utilize the provided 1/8" Allen Wrench. Proceed to secure the set screw onto the flange cover at the end of the rod.

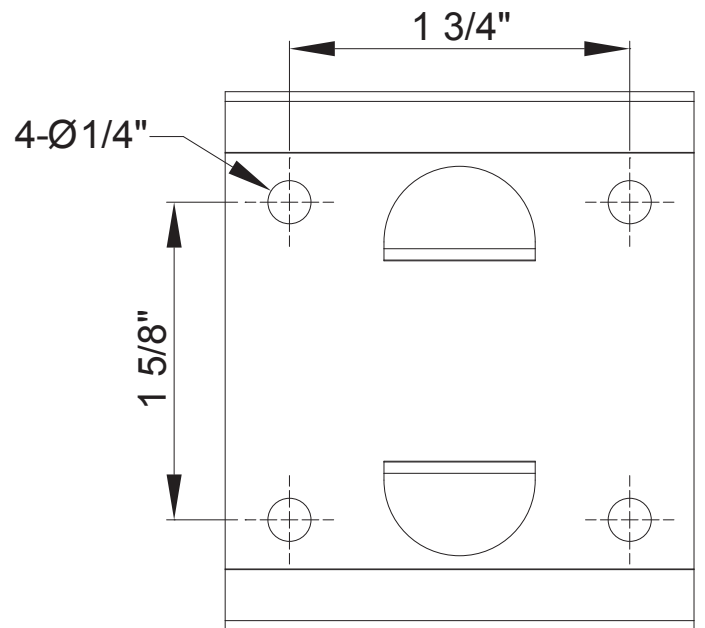
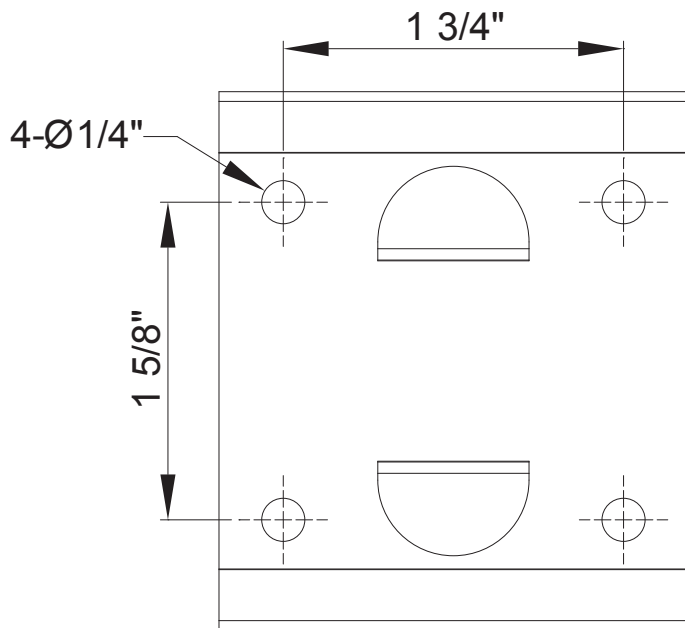


- (4) Repeat the aforementioned steps on the opposite end of the rod, ensuring uniformity and a secure installation.

SR-100



SR-101

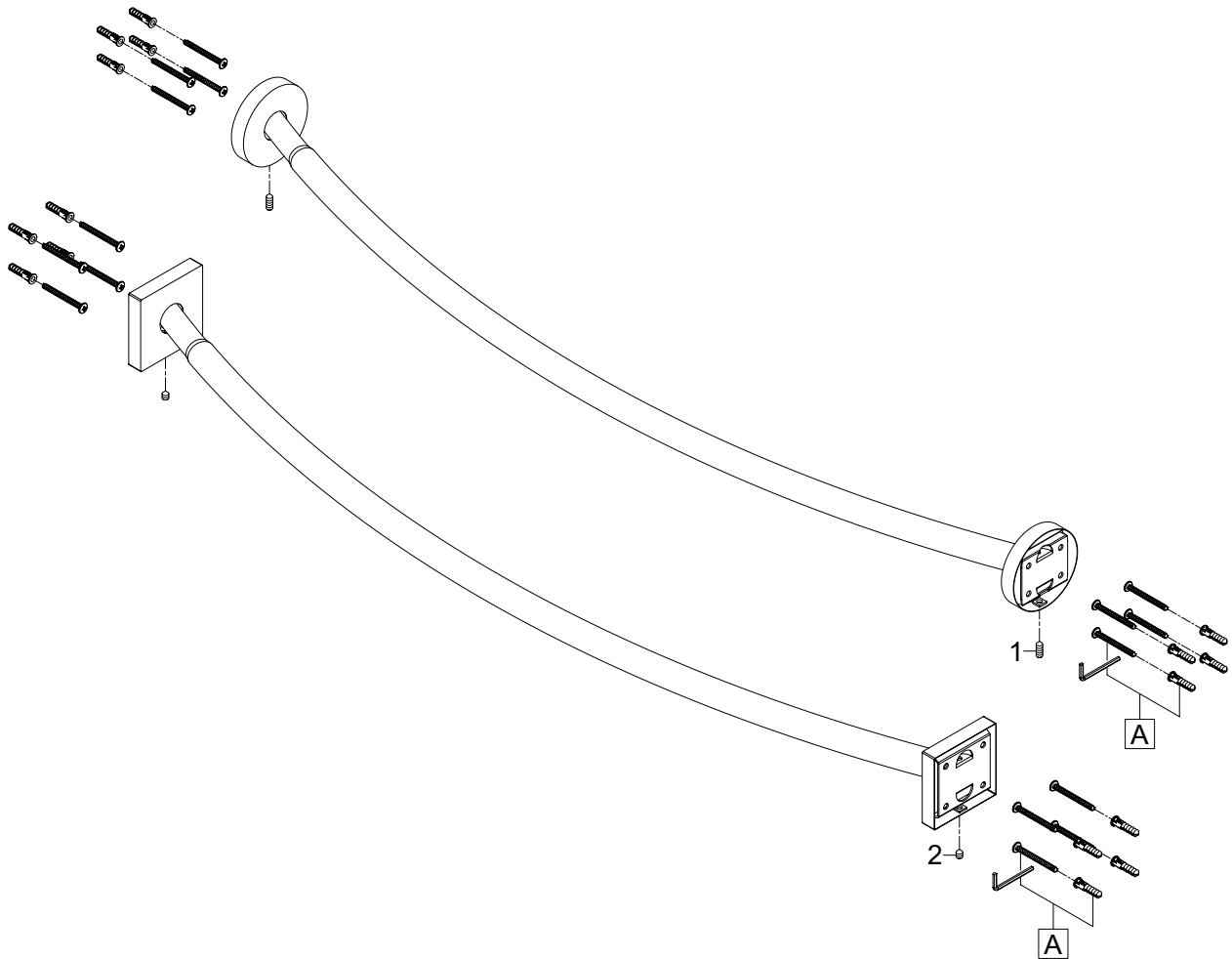


SCALE 1:1

Exploded Drawing:

* Note: Please specify finish/color when ordering.

	ITEM #	DESCRIPTION
A	OP-560004	Mounting Kit
1	OP-560005	Mounting Screw (For SR-100)
2	OP-560006	Mounting Screw (For SR-101)



For more care information or trouble shooting inquiries
 about your Olympia product, Please call:
OLYMPIA FAUCETS, INC. (888) 772-7701
 Monday-Friday 8 AM to 8 PM EST (5 AM to 5 PM PST)
www.olympiafaucets.com