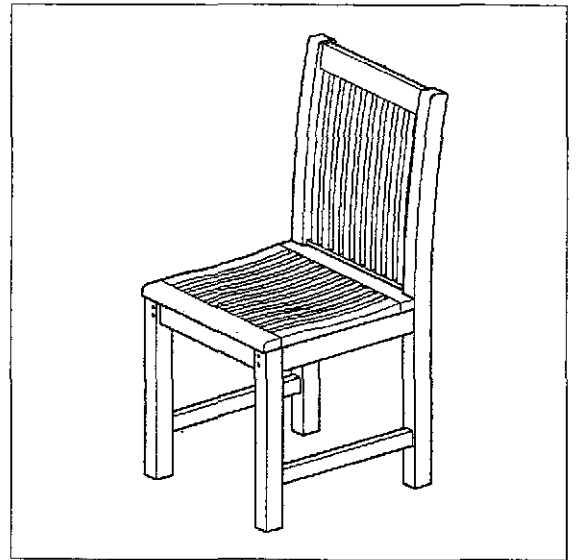
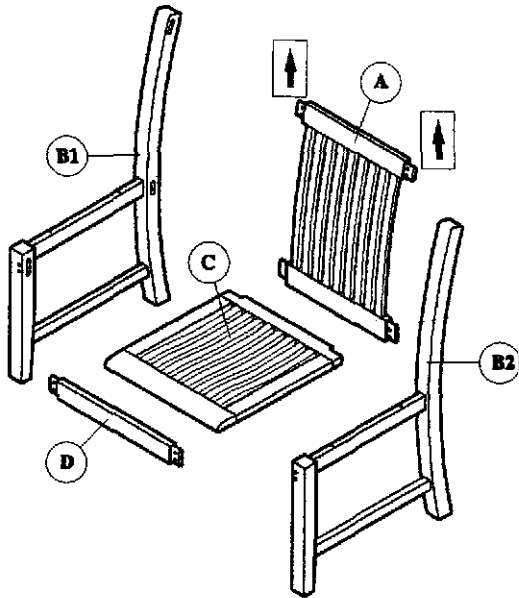


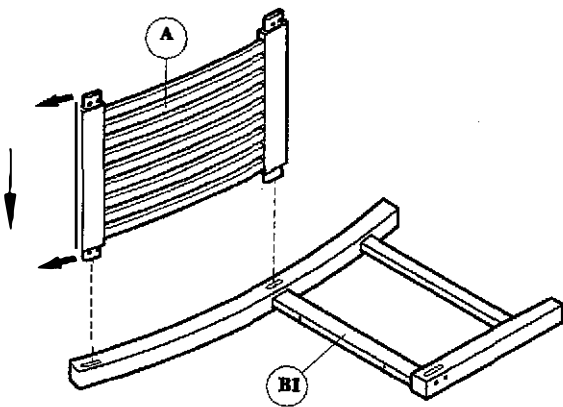
# ASSEMBLY INSTRUCTIONS

## TEAKWOOD SIDECHAIR (ATF66)

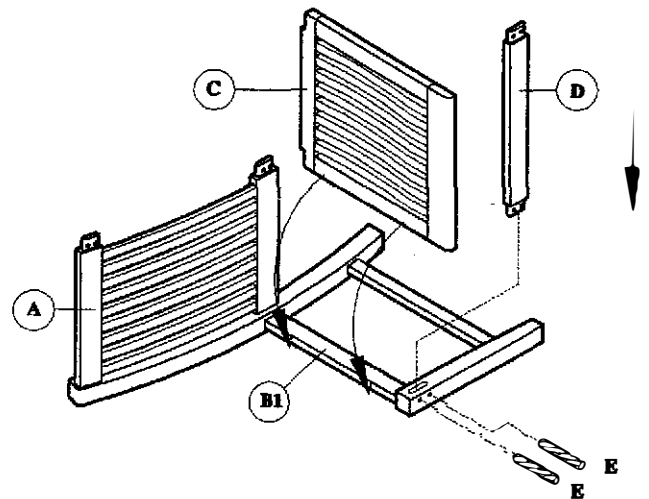
### PARTS.



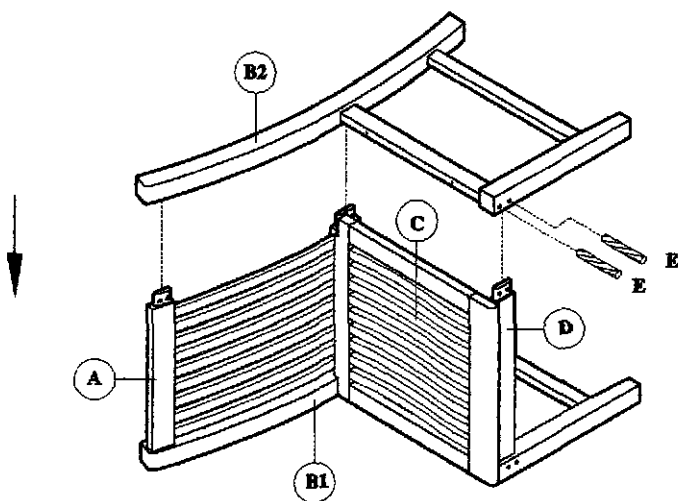
### STEP 1.



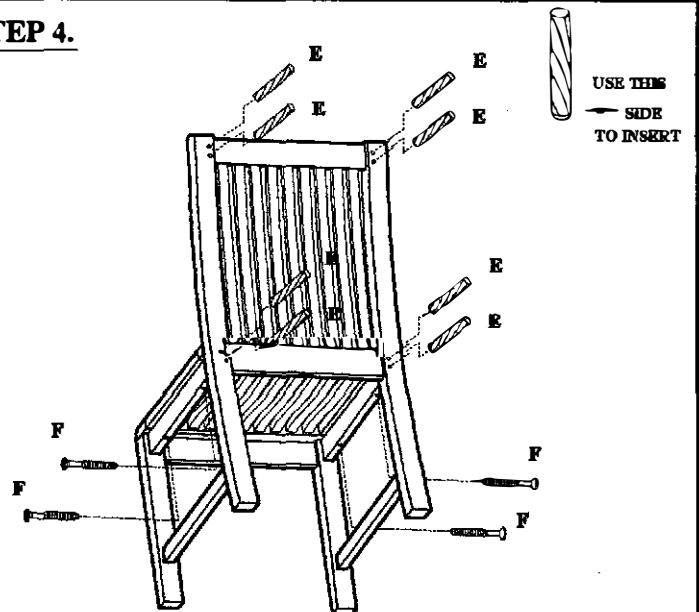
### STEP 2.



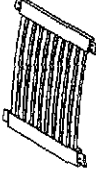
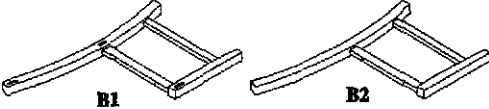
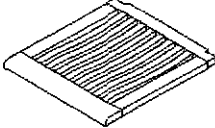
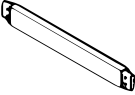




### STEP 3.



### STEP 4.



**ASSEMBLY INSTRUCTIONS**  
**TEAKWOOD SIDECHAIR (ATF66)**

NO.	PARTS.	QTY.
A	BACKREST 	1
B1,B2	LEGS 	2
C	SEAT SLATS 	1
D	FRONT STRETCHER 	1
E	DOWEL 	12 (2 EXTRAS)
F	SCREW 	4 (1 EXTRAS)
G	SANDPAPER 	1
H	GLUE 	1