

NOTICE

*Please make sure that you have all parts indicated and they are in good condition before you begin assembly of this item. Refer to part list and hardware list below for guidance.

*This item should be assembled on a soft surface to prevent scratching the finish during assembly.

*This item may require periodic tightening.

*If you are having difficulty, our friendly Customer Care team is always here to help.

PREPARATION

*Before beginning assembly of product, make sure all parts are present. Compare parts with part contents list and hardware contents list.

*If any part is missing or damaged, do not attempt to assemble the product.

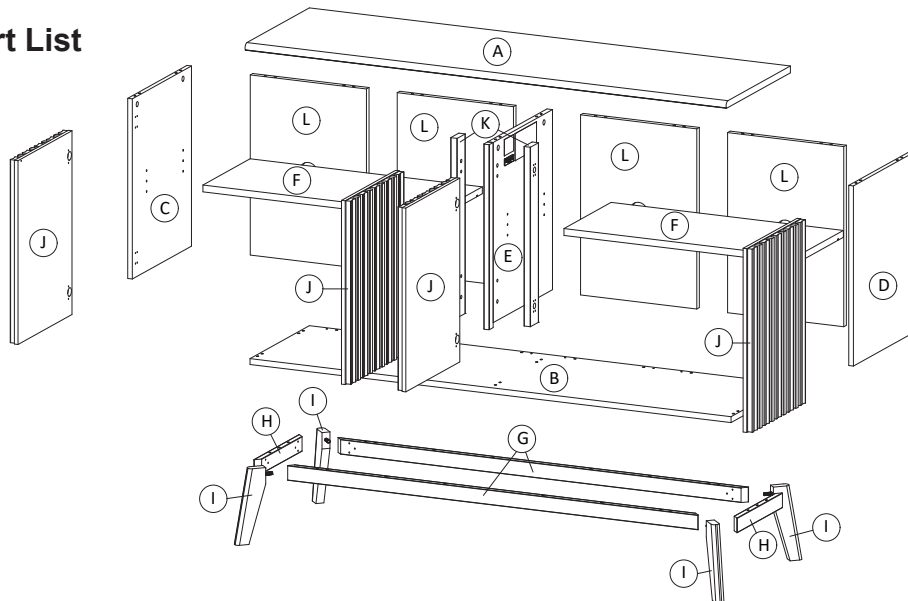
*Estimated Assembly Time: 60 minutes.

*Tools Required for Assembly (included): Allen Key

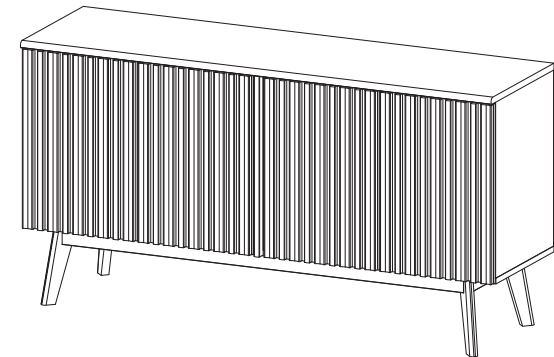
CARE AND MAINTENANCE

Always use felt pads under all articles to prevent discoloration or softening of the lacquer. Plastic and rubber bases on items can discolor wood. Wipe up spills immediately and avoid common hazards such as hot dishes, harsh solvents and abrasives. Cleaning should be done with a soft lint free cotton cloth dampened with water or furniture polish. On highly used surfaces we recommend applying a quality paste wax which should be used on a regular basis to provide additional protection from scratches and spills. How often you apply the wax depends on how much wear the furniture receives.

Part List



Product Dimensions: 62"Wx18"Dx32"H






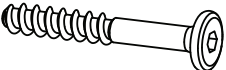

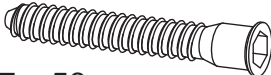



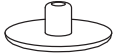

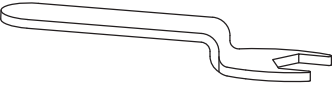



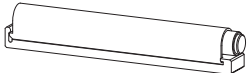

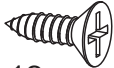
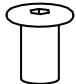
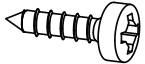
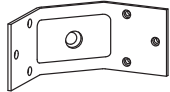

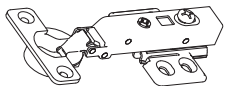

⚠ WARNING

This product is intended for use with a
FLAT SCREEN TV ONLY
Maximum Screen Size: 55 inches
Weight Limit: 100 lbs
Shelf Load Limit: 41 lbs
Drawer Load Limit: - lbs
Use with heavier televisions may result
in instability causing tip over resulting in
death or Serious injury.

⚠ WARNING

Death or serious injury may occur
when children climb on audio
and/or video equipment furniture.
A remote control or toys placed on
the furnishing may encourage a
child to climb on the furnishing and
as a result the furnishing may tip
over on the child.

Hardware List

<p>HW1x22</p>  <p>∅ 6 x 35 mm</p>	<p>HW2x22</p>  <p>∅ 15 mm</p>	<p>HW3x38</p>  <p>∅ 8 x 30 mm</p>	<p>HW4x12</p>  <p>M 6.4 x 53 mm</p>	<p>HW5x48</p>  <p>M 4.5 x 12.5 mm</p>
<p>HW6x6</p>  <p>M 7 x 50 mm</p>	<p>HW7x2</p>  <p>L 4</p>	<p>HW8x14</p>  <p>M 6 x 12.5 mm</p>	<p>HW9x8</p>  <p>∅ 5 x 15 mm</p>	<p>HW10x1</p>  <p>∅ 15 mm</p>
<p>HW11x4</p>  <p>∅ 15 mm</p>	<p>HW12x1</p> 	<p>HW13x2</p>  <p>∅ 8 x 50 mm</p>	<p>HW14x2</p>  <p>M 6 x 40 mm</p>	<p>HW15x4</p> 
<p>HW16x4</p> 	<p>HW17x4</p> 	<p>HW18x8</p>  <p>M 3.5 x 13 mm</p>	<p>HW19x2</p> 	<p>HW20x24</p>  <p>M 4 x 16 mm</p>
<p>HW BC410x4</p> 	<p>HW US12x1</p> 	<p>HW HS26Ax4</p> 	<p>HW HS26Bx4</p> 	

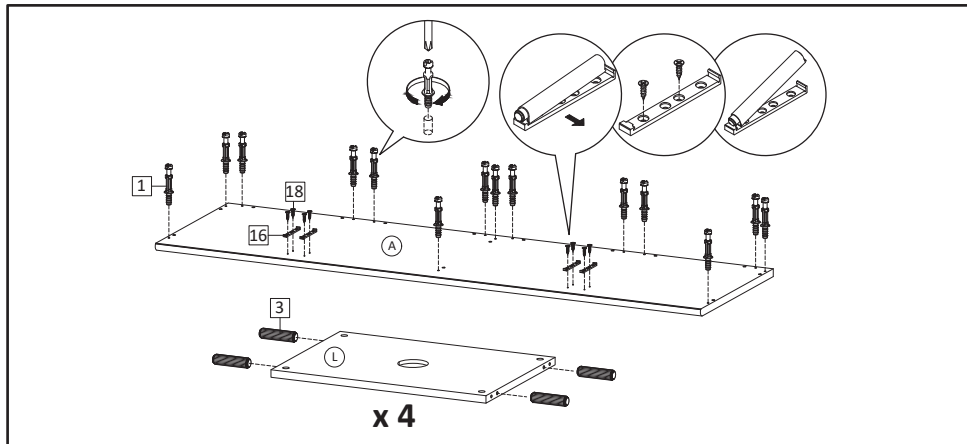
Part List & HW For Multi-Box Items

Piece	Description	Qty	Carton Call
A	Top Board	1	1 of 2
B	Bottom Board	1	1 of 2
C	Side Board Left	1	1 of 2
D	Side Board Right	1	1 of 2
E	Center Board	1	1 of 2
F	Adjustable Shelf	2	2 of 2
G	Support Leg 1	2	1 of 2
H	Support Leg 2	2	1 of 2
I	Leg	4	2 of 2
J	Frame Door	4	2 of 2
K	Support Board Center	2	2 of 2
L	Back Board	4	1 of 2

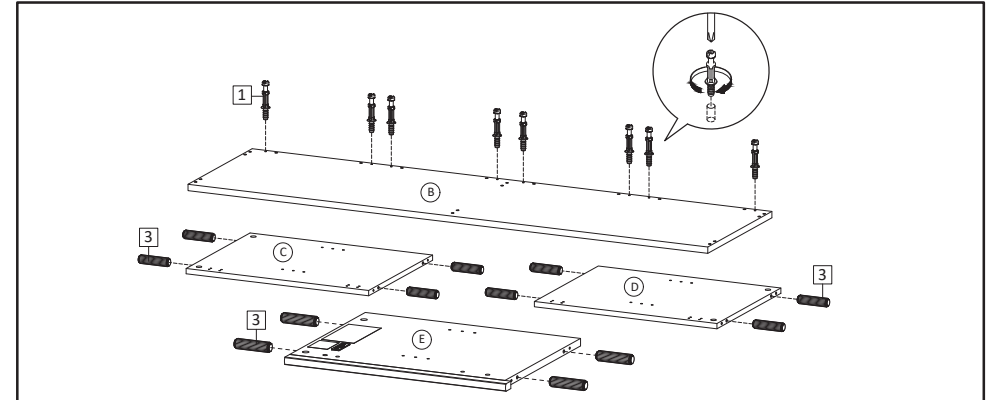
Piece	Description	Qty	Carton Call
HW1	Cambolt	22	2 of 2
HW2	CamLock	22	2 of 2
HW3	Dowel Small	38	2 of 2
HW4	Screw M 6.4 x 53 mm	12	2 of 2
HW5	Screw M 4.5 x 12.5 mm	48	2 of 2
HW6	Screw M 7 x 50 mm	6	2 of 2
HW7	Allen Key	2	2 of 2
HW8	Screw M 6 x 12.5 mm	14	2 of 2
HW9	Shelf Pin	8	2 of 2
HW10	Screw Cap Long	1	2 of 2
HW 11	Screw Cap Short	4	2 of 2
HW12	Wrench	1	2 of 2
HW13	Dowel Big	2	2 of 2
HW14	Screw M 6 x 40 mm	2	2 of 2
HW15	Flange Nut	4	2 of 2
HW16	Push Tool	4	2 of 2
HW17	Floor Protector	4	2 of 2
HW18	Screw M 3.5 x 13 mm	8	2 of 2
HW19	Hat Nut	2	2 of 2
HW20	Screw M 4 x 16 mm	24	2 of 2
HW BC410	Corner Brace	4	2 of 2
HW US12	Anti Deflection Bar	1	1 of 2
HW HS26A	Full Overlay Hinge	4	2 of 2
HW HS26B	Half Overlay Hinge	4	2 of 2

PREPARATION

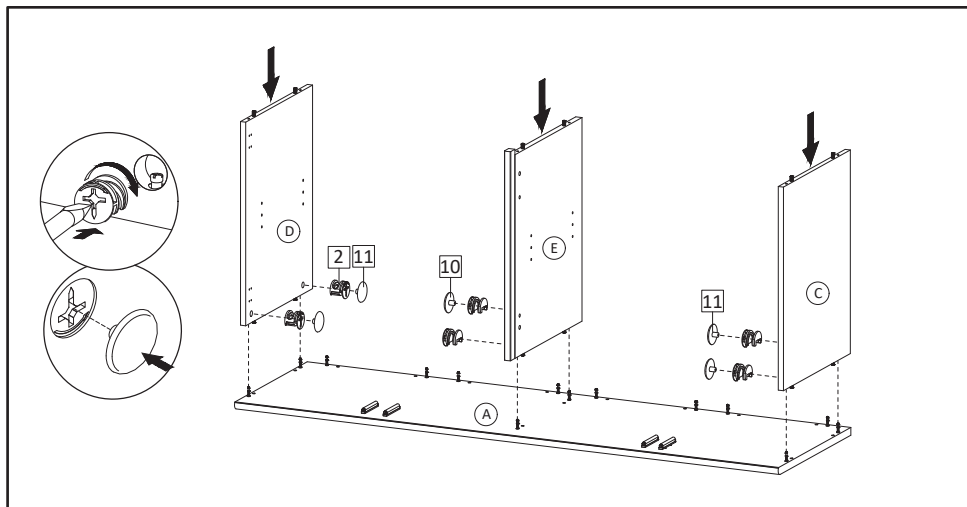
- *Before beginning assembly of product, make sure all parts are present. Compare parts with part contents list and hardware contents list.
- *If any part is missing or damaged, do not attempt to assemble the product.
- *Estimated Assembly Time: 60 minutes.
- *Tools Required for Assembly (included): Allen Key
- *If you are having difficulty, our friendly Customer Care team is always here to help.



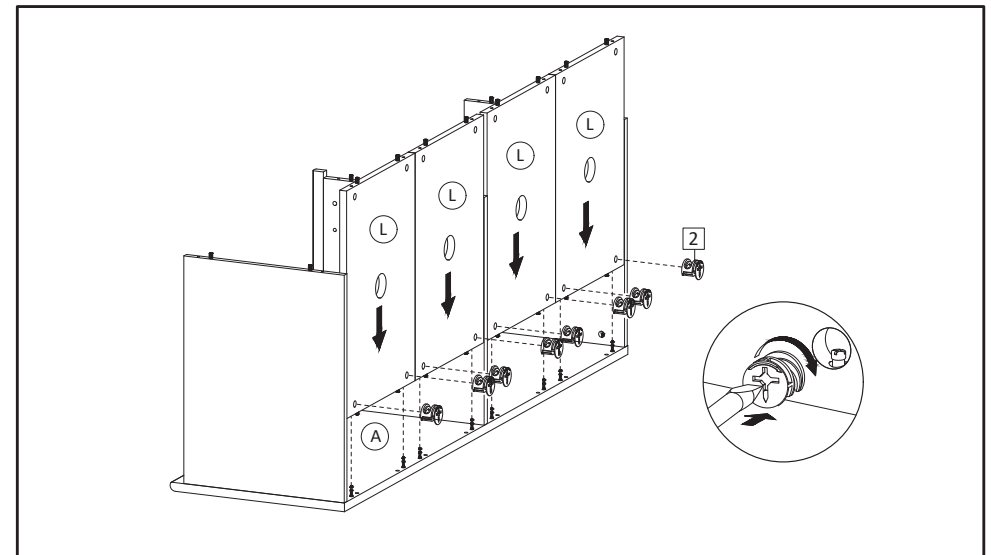
STEP1: Insert Cambolt (HW1), Push Tool (HW16) and Screw 3.5 x 13 mm (HW18) into Top Board (A), Insert Dowel (HW3) into Back Board (L).



STEP2: Insert Cambolt (HW1) into Bottom Board (B), Insert Dowel (HW3) into Center Board (E), Side Board Left (C) and Side Board Right (D).



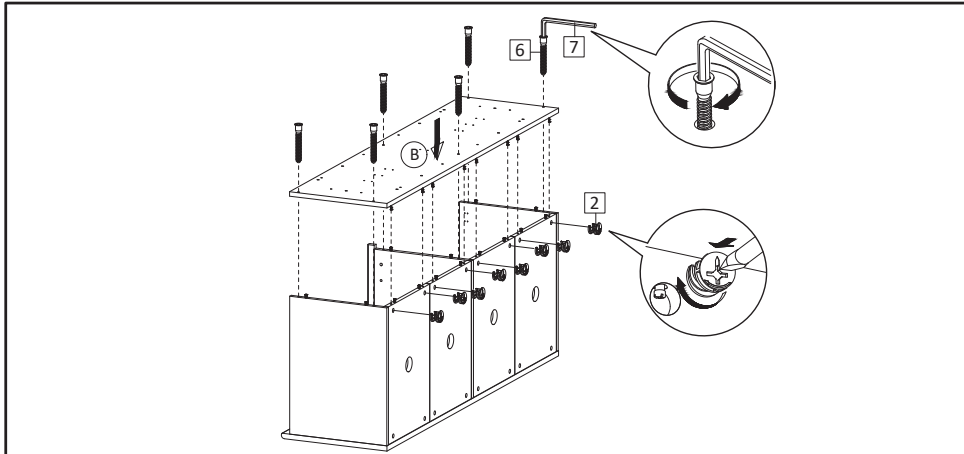
STEP3: Attach Side Board Left (C), Side Board Right (D), Center Board (E) into Top Board (A). Insert Camlock (HW2) then tighten using screwdriver. Put Screw Cap Long (HW10) over the screw on Side Boards (C) & (D), and put Screw Cap Short (HW11) over the screw on Center Board (E).



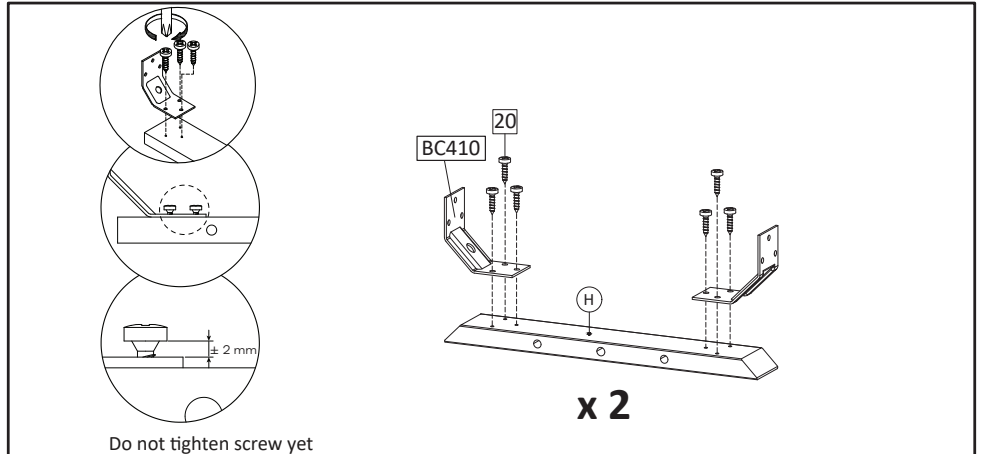
STEP4: Insert Backboard (L) onto the Top Board (A), Insert Camlock (HW2) then tighten using screwdriver.

PREPARATION

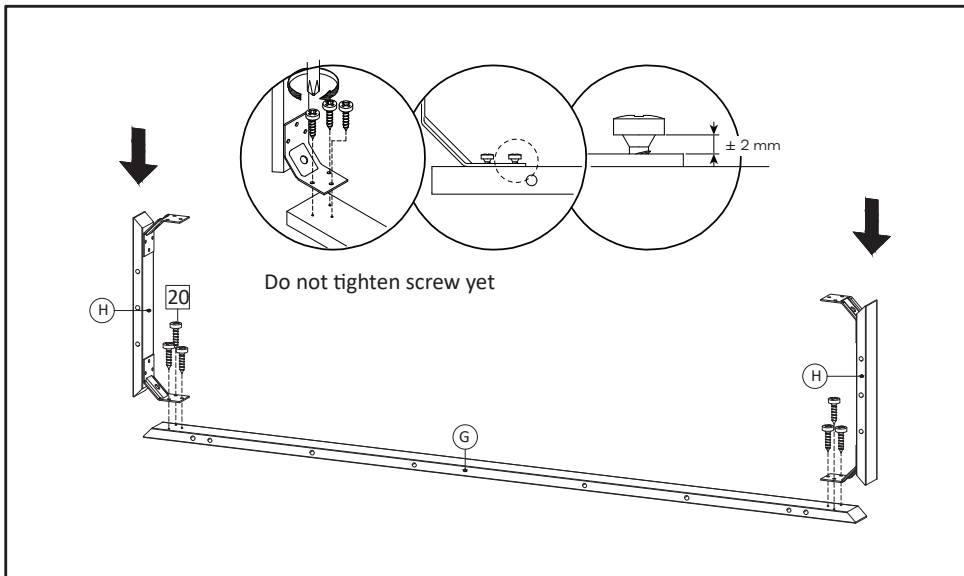
- *Before beginning assembly of product, make sure all parts are present. Compare parts with part contents list and hardware contents list.
- *If any part is missing or damaged, do not attempt to assemble the product.
- *Estimated Assembly Time: 60 minutes.
- *Tools Required for Assembly (included): Allen Key
- *If you are having difficulty, our friendly Customer Care team is always here to help.



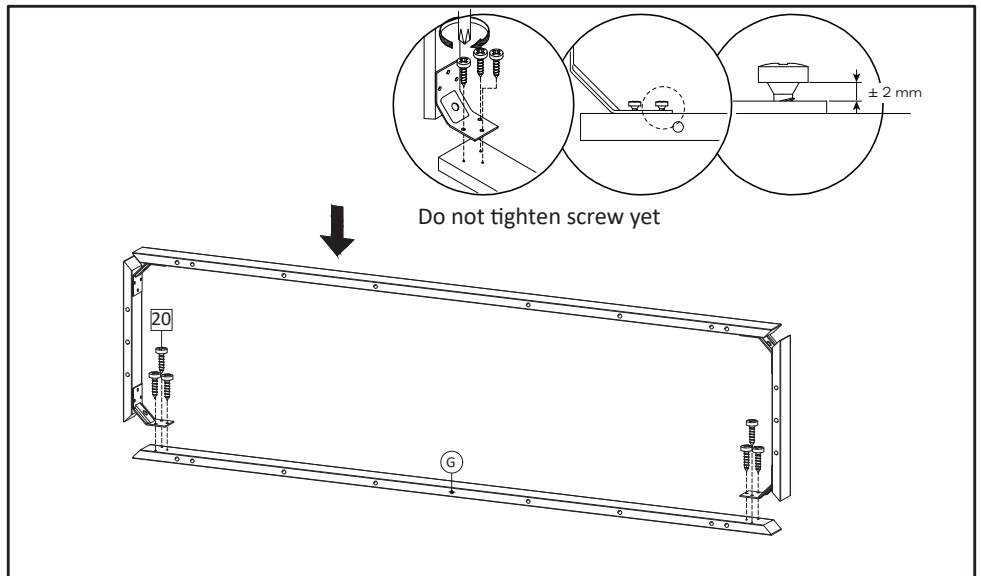
STEP5: Put Bottom Board (B) and secure with Screw M7x50 (HW6) , tighten screws using Allen Key (HW7), Insert Camlock (HW2) then tighten using screwdriver.



STEP6: Now let's combine the bottom skirt. Start with installing Corner Brace (HW BC410) into Support Leg 2 (H) using Screw M4x16 (HW20). Do not overtighten screw yet, leave around 2mm gap.



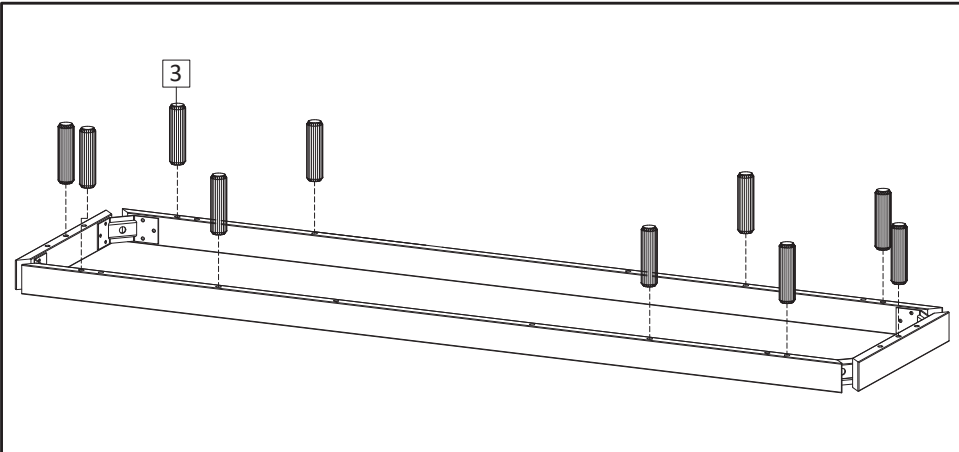
STEP7: Combine components from step 6 with remaining Support Leg 1 (G), using Screw M4x16 (HW20). Do not overtighten screw yet, leave around 2mm gap.



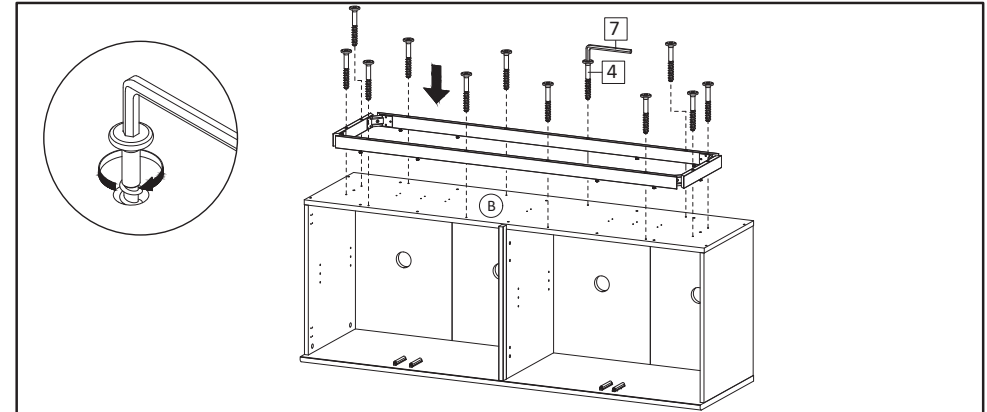
STEP8: Combine the Support Leg 2 from step 7 with remaining Support Leg 1 (G), using Screw M4x16 (HW20). Do not overtighten screw yet, leave around 2mm gap.

PREPARATION

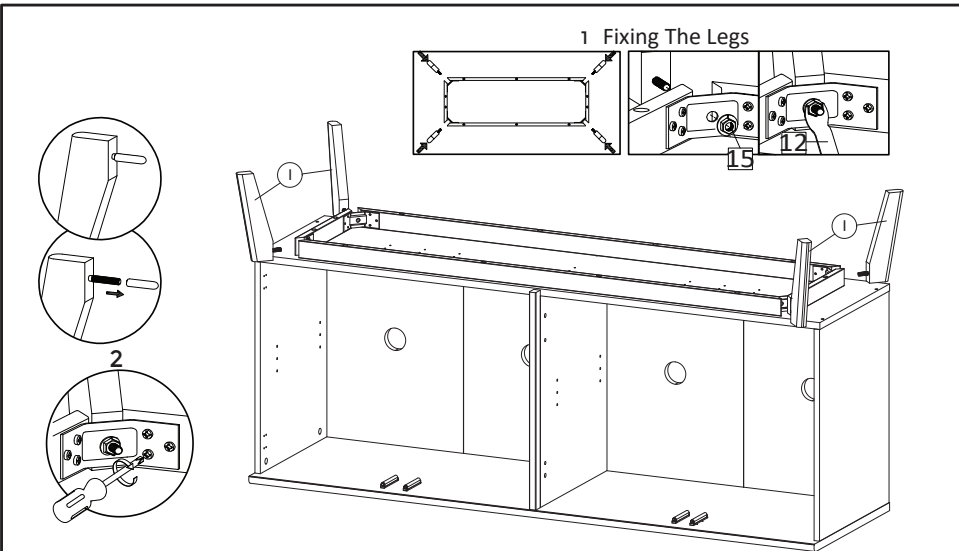
- *Before beginning assembly of product, make sure all parts are present. Compare parts with part contents list and hardware contents list.
- *If any part is missing or damaged, do not attempt to assemble the product.
- *Estimated Assembly Time: 60 minutes.
- *Tools Required for Assembly (included): Allen Key
- *If you are having difficulty, our friendly Customer Care team is always here to help.



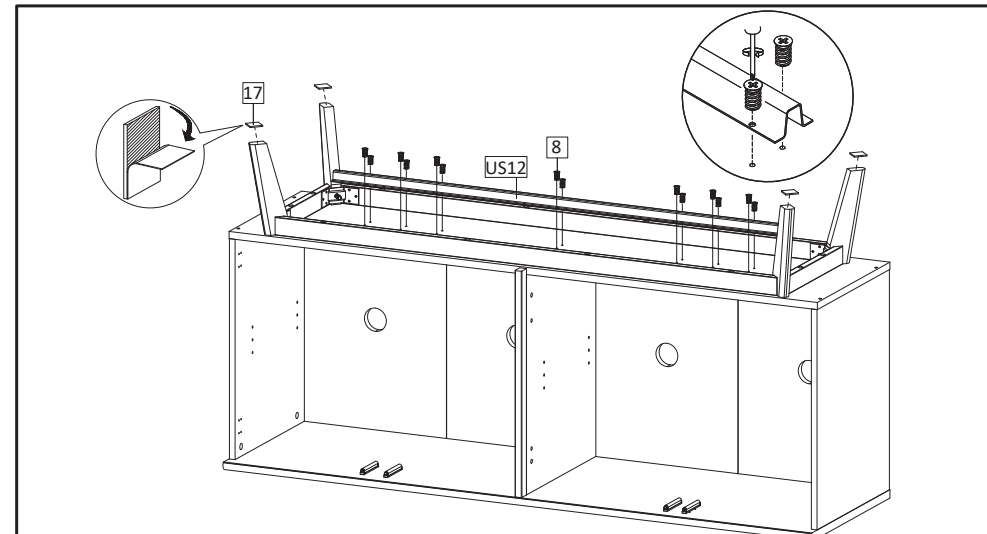
STEP9: Insert Dowel (HW3) into assembled bottom skirt.



STEP10: Bring the assembled bottom skirt and insert into Bottom Board of the cabinet. Secure with Screw M6.4 x 53 (HW4) using Allen Key (HW7)



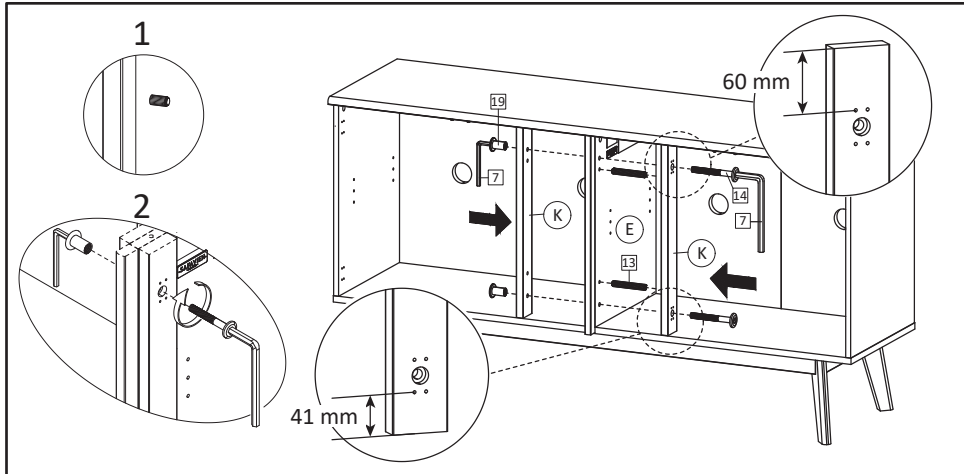
STEP11: Remove plastic cap from Legs. Insert the bolt of the Leg (I) into hole of corner brace as shown in figure. Insert Flange Nut (HW15) first into the hanger bolt of leg, tighten all the nuts using provided Wrench (HW12). Ensure that all legs have been tightened then tighten all screws on the corner brace.



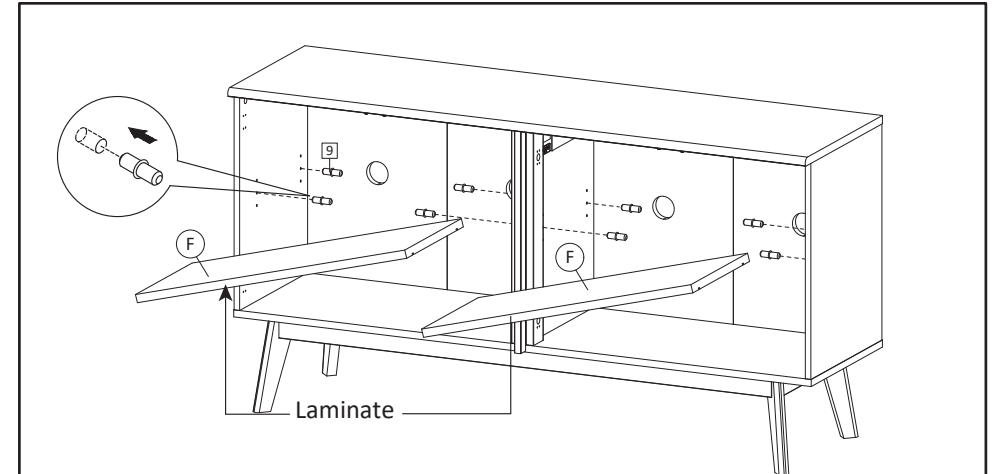
STEP12: Insert Anti Deflection Bar (HW US12), Screw M6x12.5 (HW8) into Bottom Board. Peel off paper from Floor Protector (HW17) and stick it onto the leg.

PREPARATION

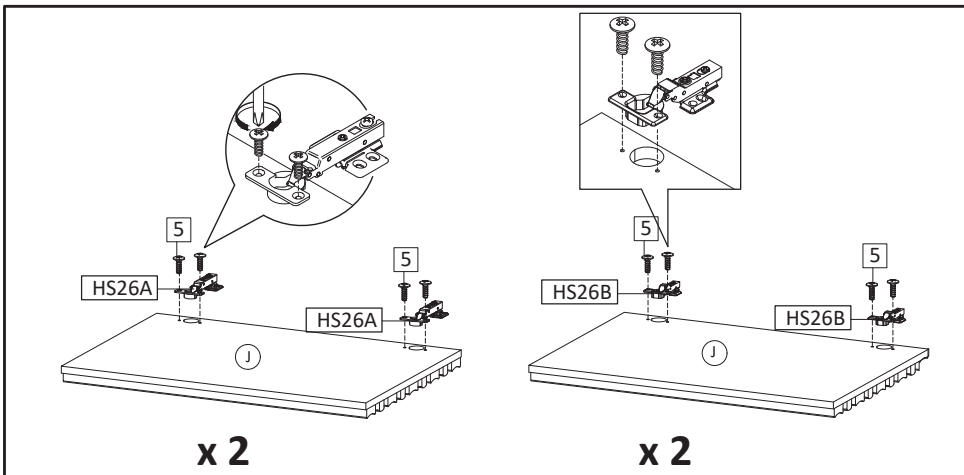
- *Before beginning assembly of product, make sure all parts are present. Compare parts with part contents list and hardware contents list.
- *If any part is missing or damaged, do not attempt to assemble the product.
- *Estimated Assembly Time: 60 minutes.
- *Tools Required for Assembly (included): Allen Key
- *If you are having difficulty, our friendly Customer Care team is always here to help.



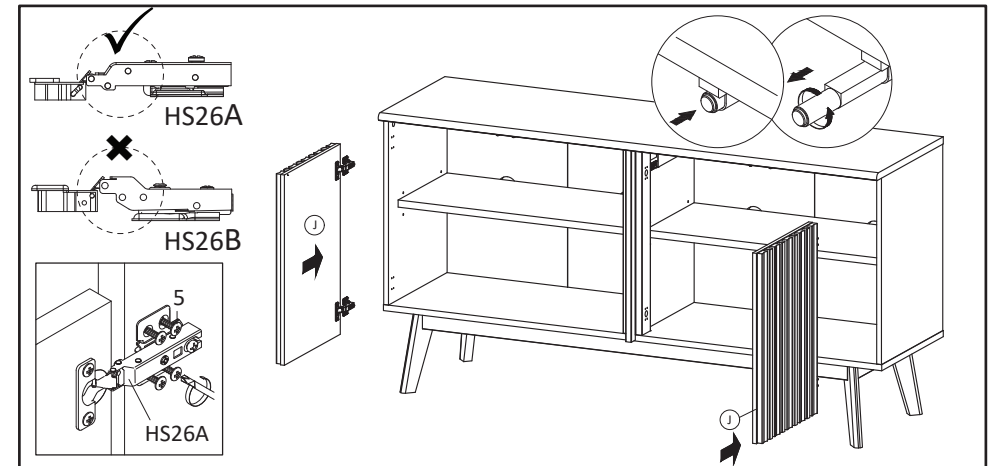
STEP13: First insert Dowel Big (HW13) into provided holes on Center Board (E). Then Put Support Board Center (K) on both side and secure with Screw M6x40 (HW14), Hat Nut (HW19). Hold still the Hat Nut (HW19) using Allen Key (HW7) while tighten Screw (HW14) using Allen Key (HW7).



STEP14: After bringing the product upright, insert Shelf Pin (HW9) into the holes on Sideboard & Centerboard, on the desired level. Then place the Adjustable Shelf (F) by inserting the hole on the shelf into the shelf support



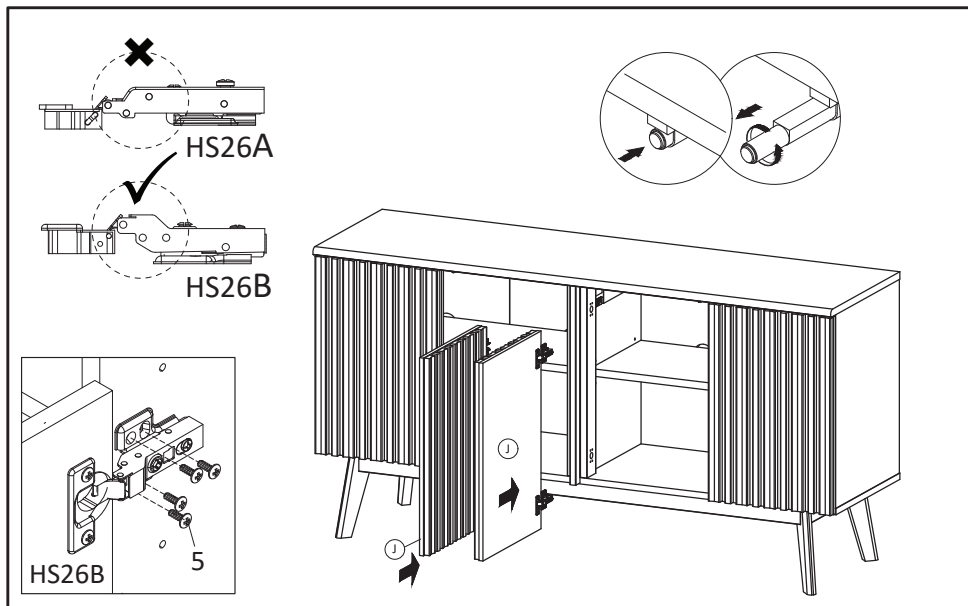
STEP15: Insert Full Overlay Hinge (HW HS26A) into pre-hole on 2 pcs Frame Door (J). Insert Half Overlay Hinge (HW HS26B) on remaining 2 pcs Frame Door (J). Secure with Screw M4.5 x 12.5 (HW5).



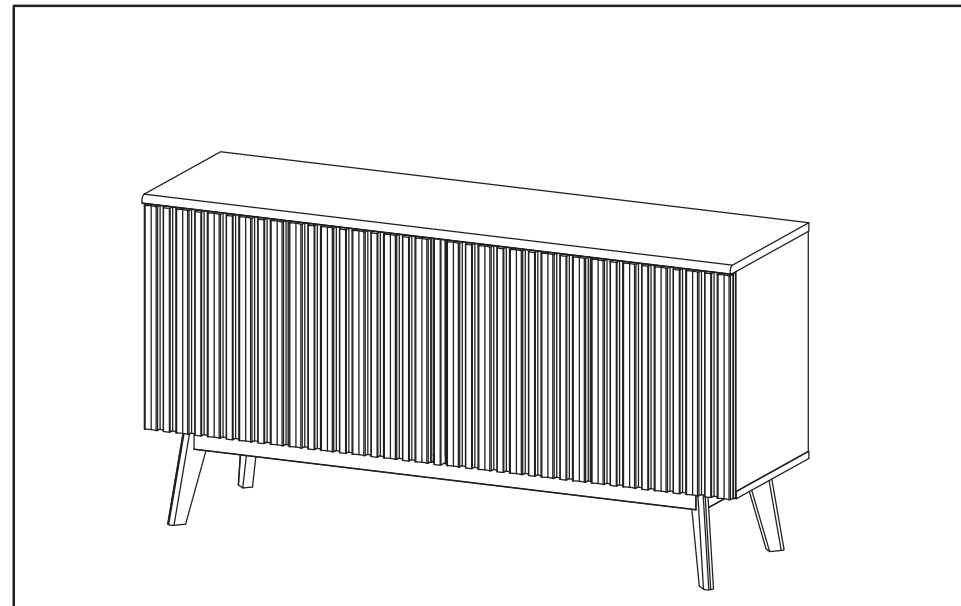
STEP16: Install Frame Door (J) into Side Board Left and Side Board Right. Please review above images carefully. Full Overlay Hinges (HW HS26A) must be used for left and right doors. Adjust the push tool as needed to ensure doors opening and closing smoothly.

PREPARATION

- *Before beginning assembly of product, make sure all parts are present. Compare parts with part contents list and hardware contents list.
- *If any part is missing or damaged, do not attempt to assemble the product.
- *Estimated Assembly Time: 60 minutes.
- *Tools Required for Assembly (included): Allen Key
- *If you are having difficulty, our friendly Customer Care team is always here to help.



STEP17: Install Frame Door (J) into Center Board.
Please review above images carefully. Both middle doors must be using Half Overlay Hinge (HW HS26B).
Adjust the push tool as needed to ensure doors opening and closing smoothly.



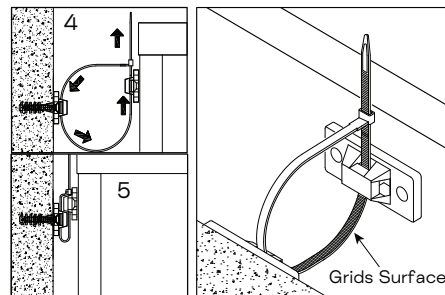
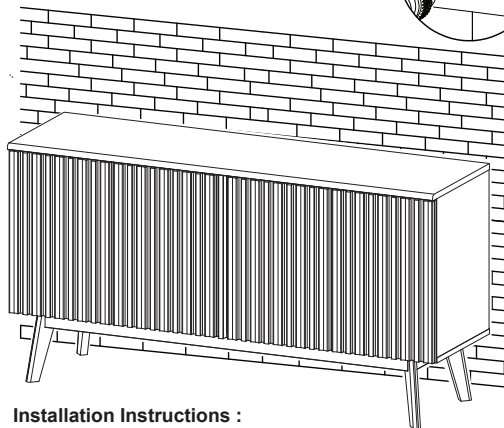
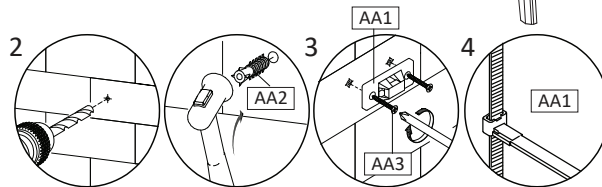
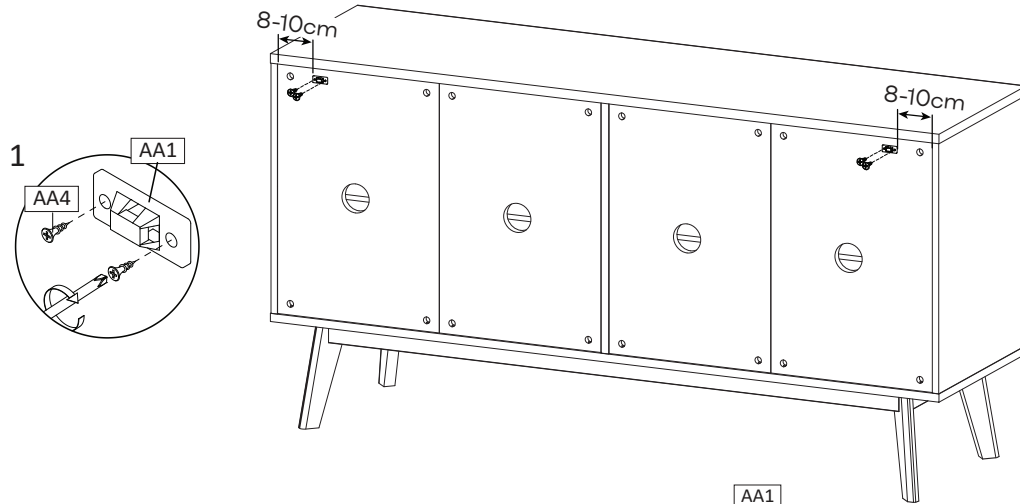
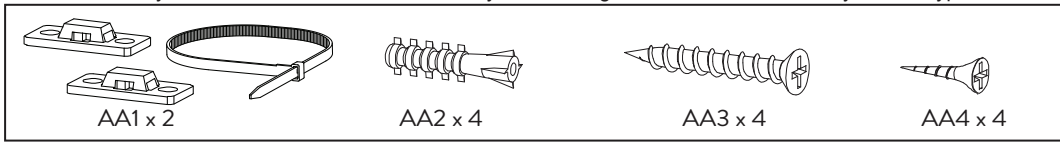
STEP18: Assembly is complete.

TIPPING RESTRAINTS KIT INSTALLATION GUIDANCE

Different wall materials require unique wall fasteners.

The wall plugs (AA2) and screws (AA3) are designed for fixing to concrete walls only.

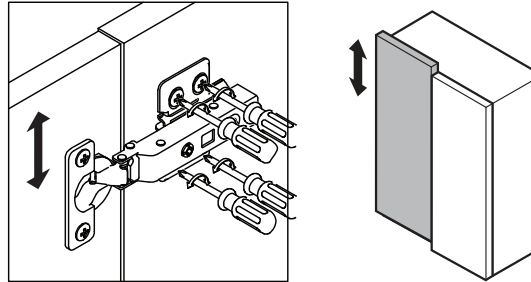
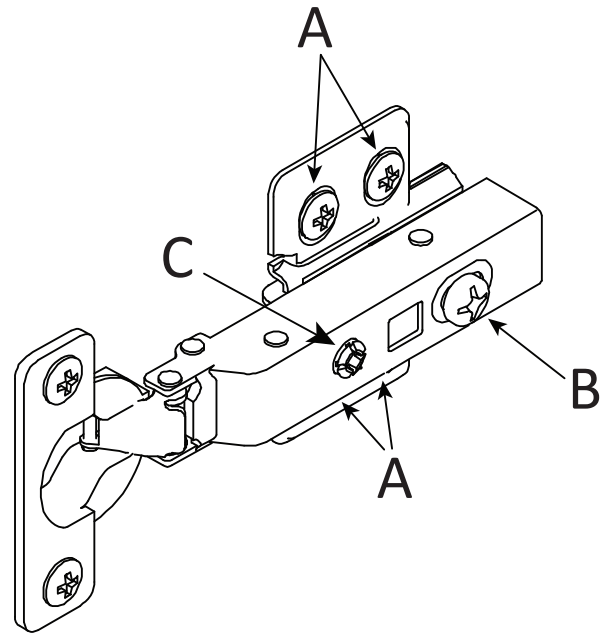
Please consult your local hardware store to ensure you are using the correct hardware for your wall type.



Installation Instructions :

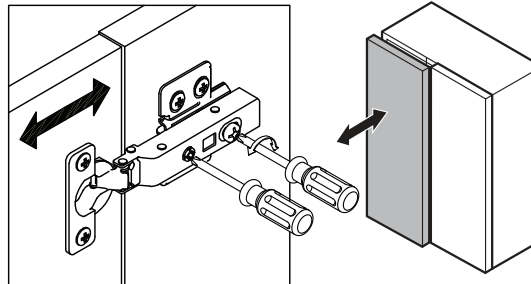
1. Attach bracket (AA1) securely to the back top of the furniture using screw (AA4) provided. Allow 8 - 10 cm from each side.
2. Please make a hole for wall plugs position on the wall and minimum 15 mm below bracket secured to the back of unit attach the wall plugs (AA2).
3. Locate the other bracket (AA1) on the wall over wall plugs (AA2). Place furniture into position so both brackets (AA1) are vertically in the line.
4. Lace the end of the restraints strap through the larger hole in each bracket. Ensure the restraints strap with grids surface facing the inner loops. Bring both ends together and slide the flat end through the locking end and draw it through until all slack is removed.
5. Make sure that the strap is securely laced & locked.

HOW TO ADJUST HINGES



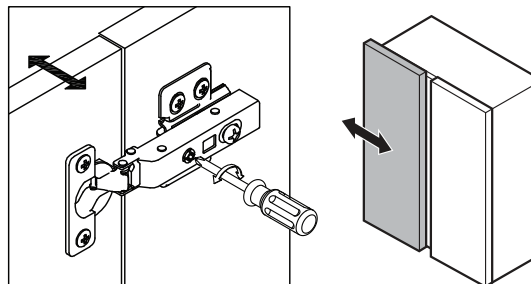
To adjust the vertical height.

Loosen the four screws "A" on both hinges. Two of them are usually in slotted holes which allows you to adjust up or down by few mm. Then tighten back up.



To adjust depth.

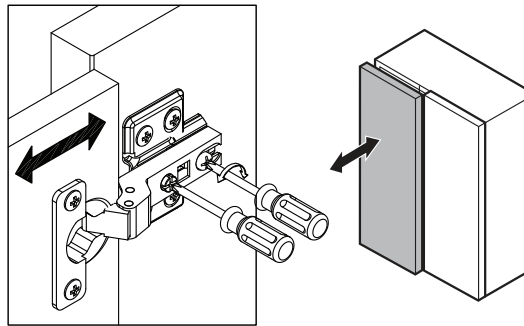
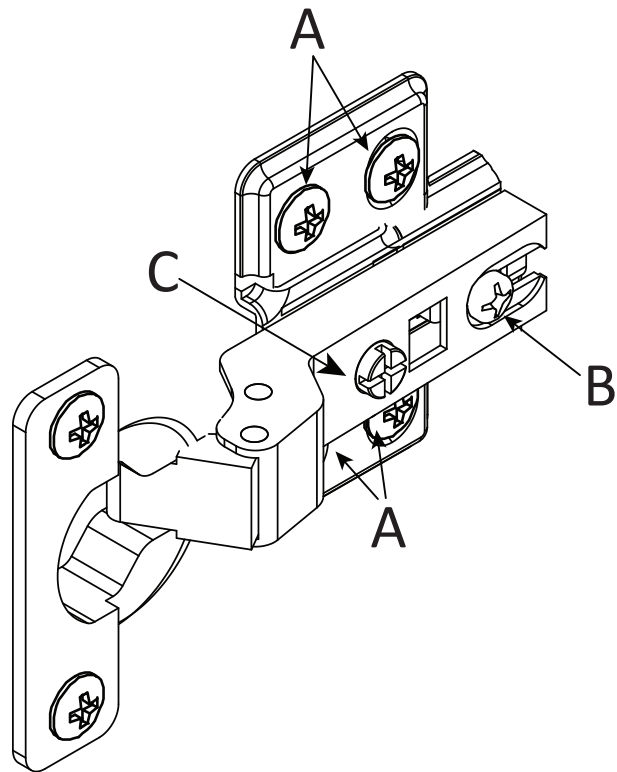
Loosen screw "B" and adjust door, if the door can not be adjusted, please loosen screw "C", then try again. Tighten screw "B" and "C".



To adjust side ways.

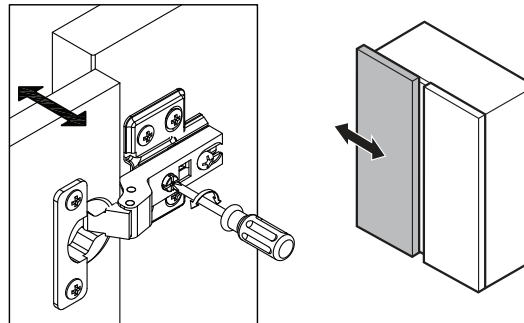
Turn screw "C" on BOTH hinges on each door.

HOW TO ADJUST HINGES



To adjust depth.

Loosen screw "B" and adjust door, if the door can not be adjusted, please loosen screw "C", then try again. Tighten screw "B" and "C".



To adjust side ways.

Turn screw "C" on BOTH hinges on each door.