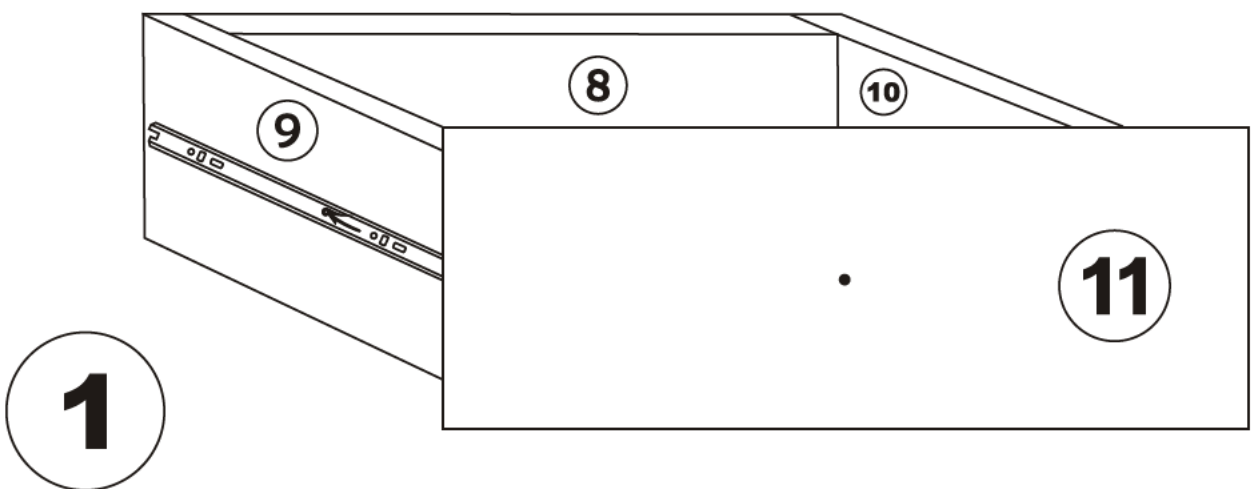
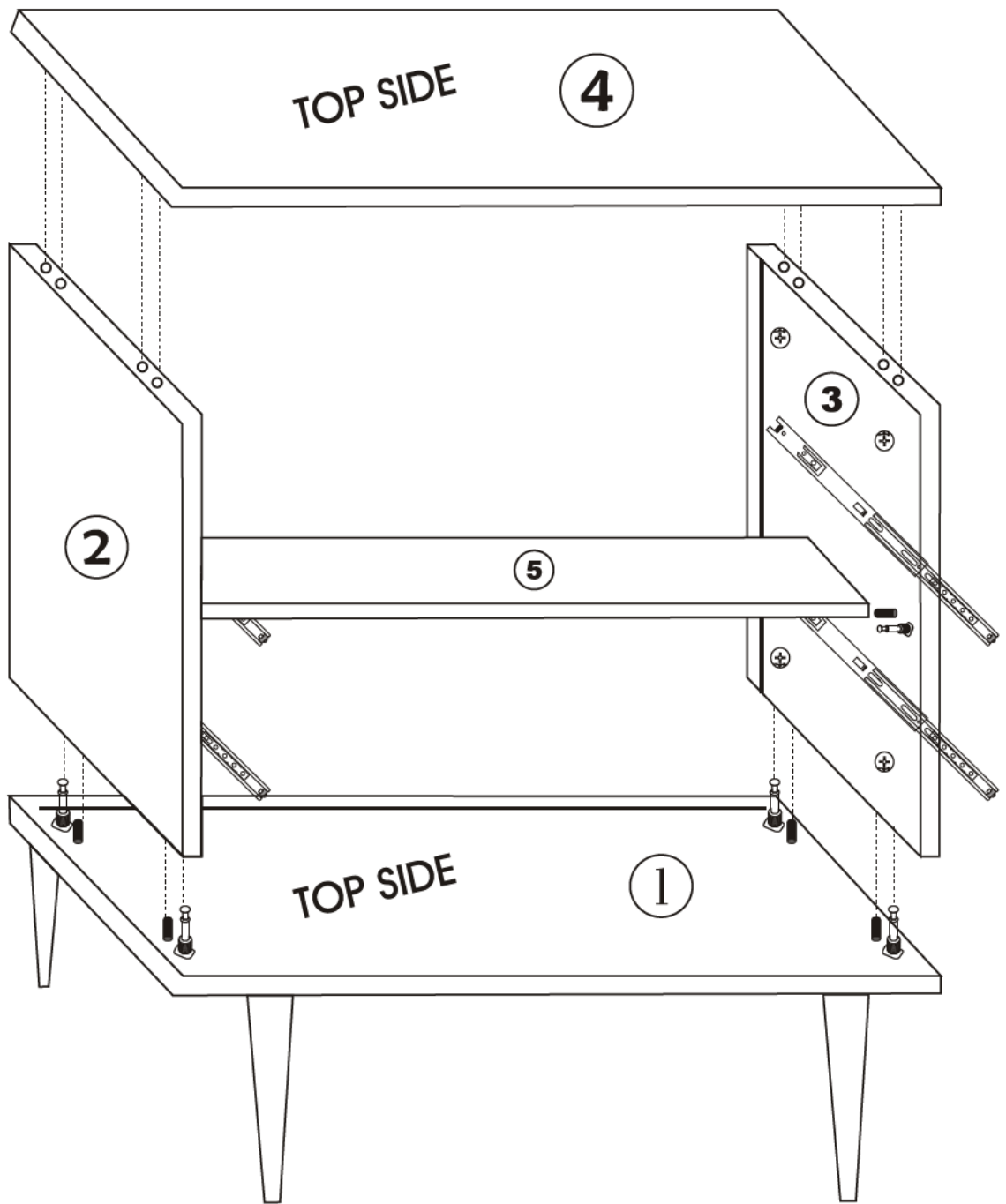

Assembly Manual



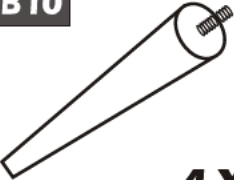
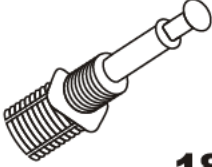

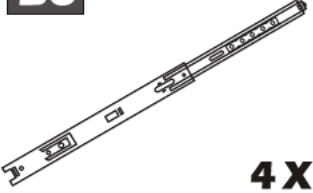






ATTENTION !!

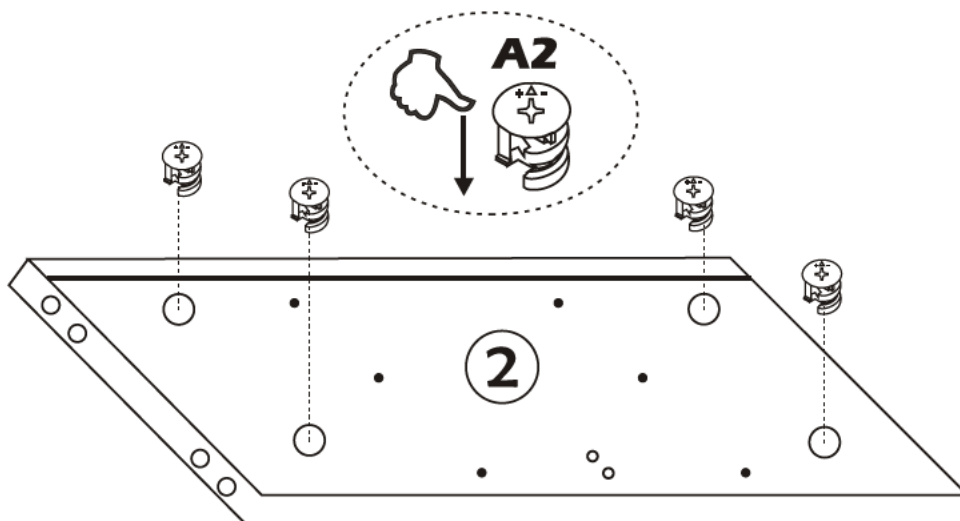
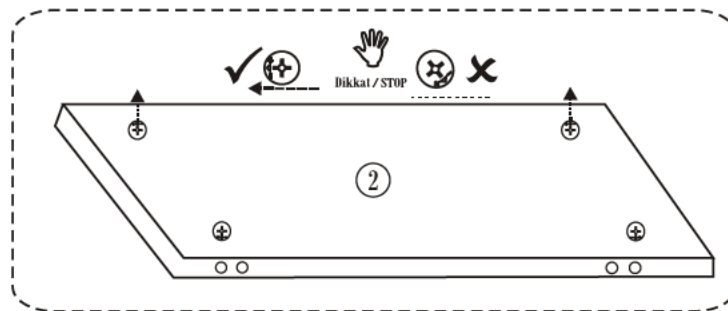
Minifix is the main connection material used in products ,

Before starting assembly , Please check the drawings below

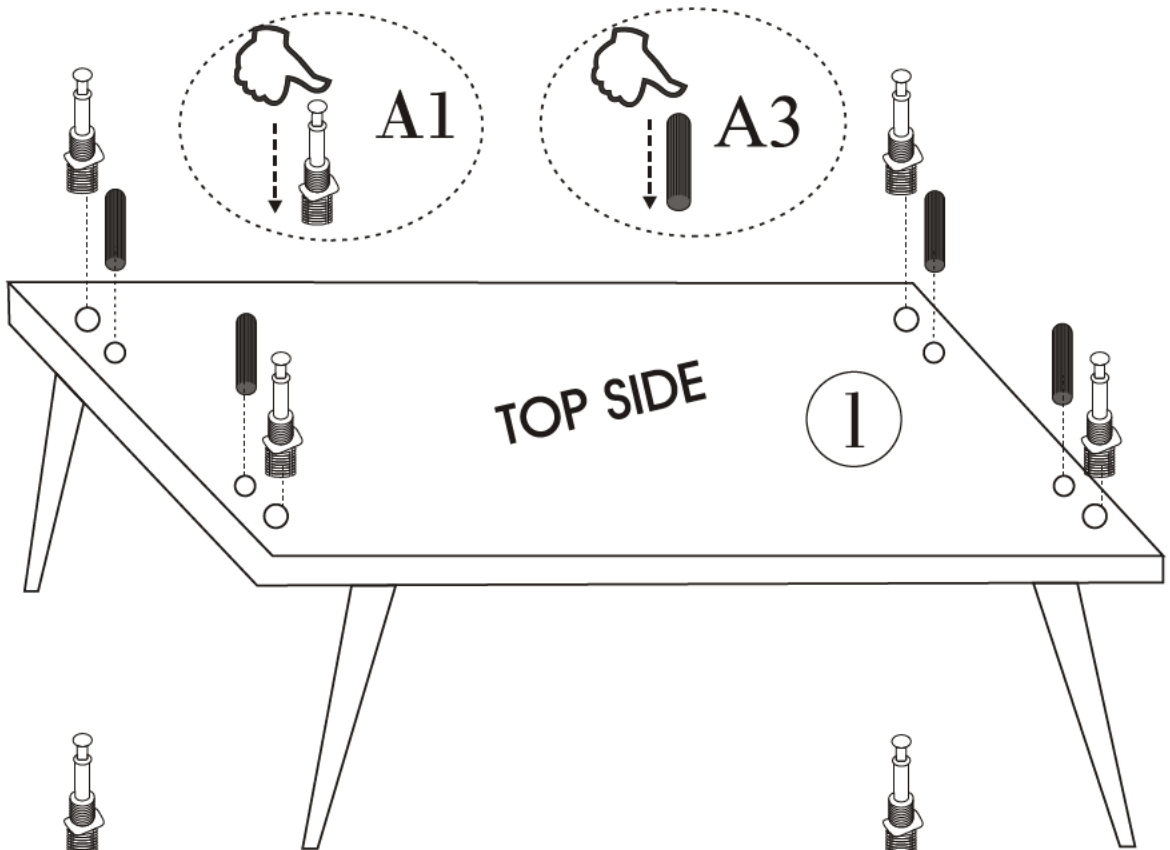
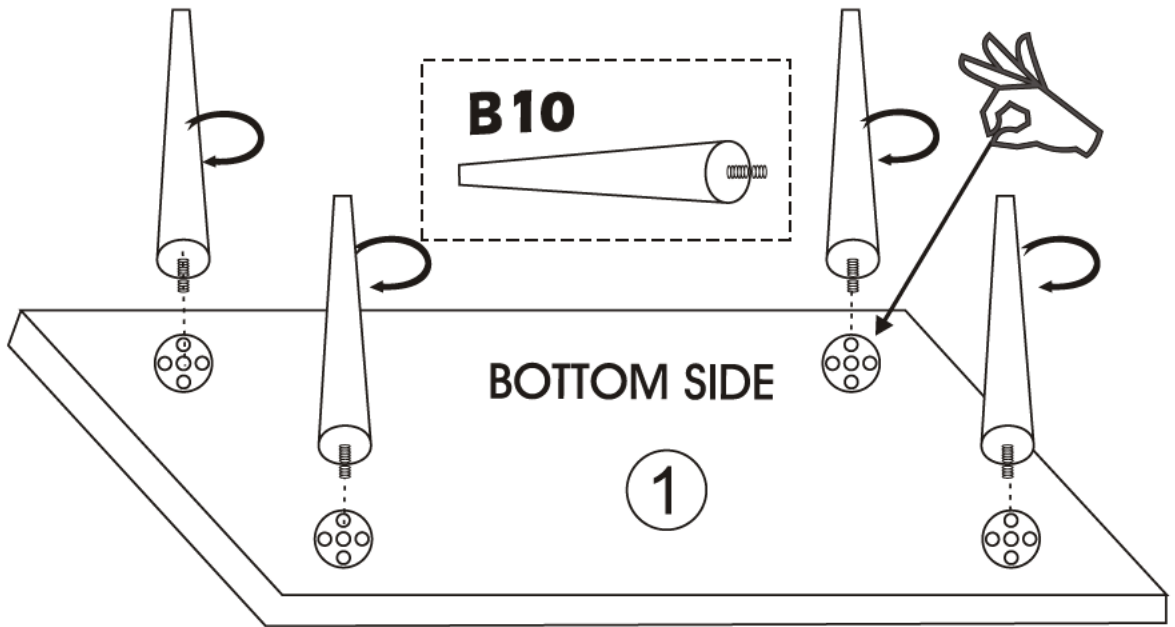
Accessory List

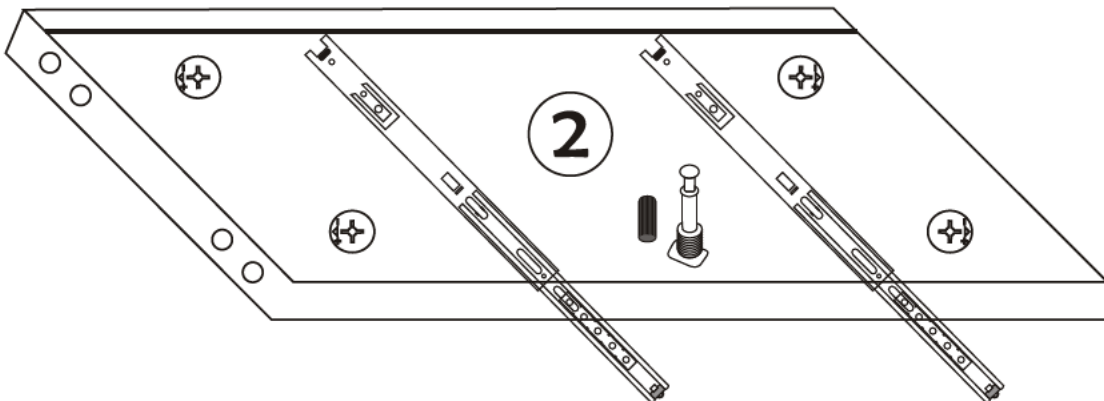
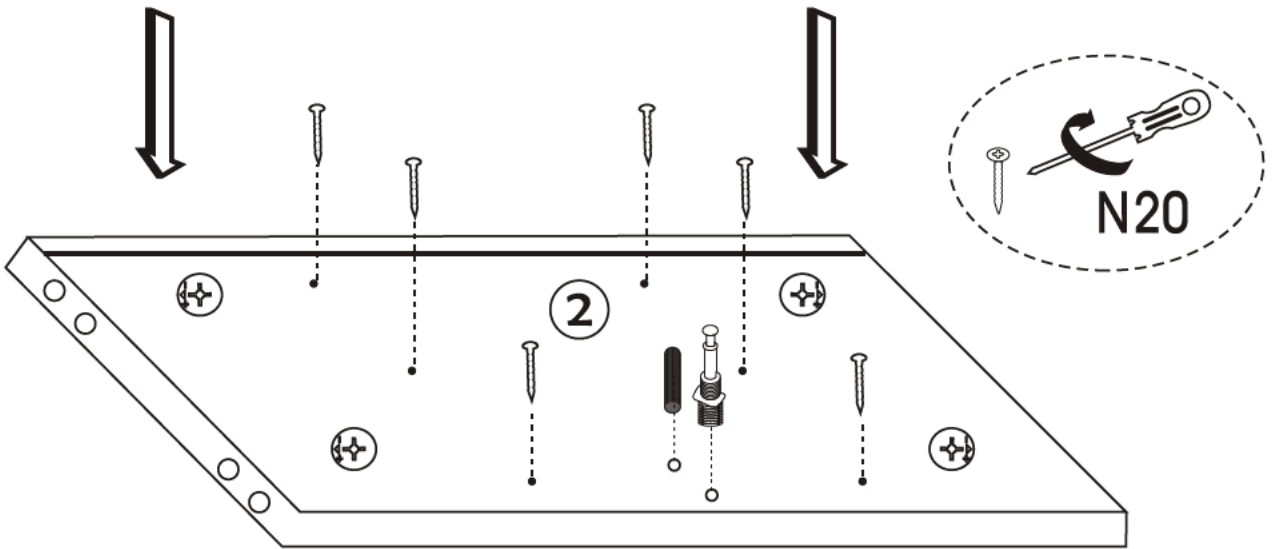
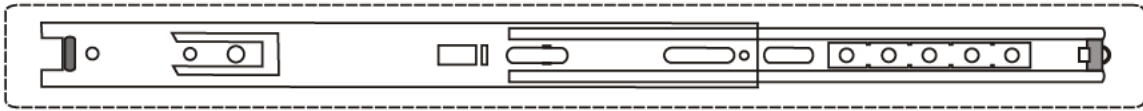
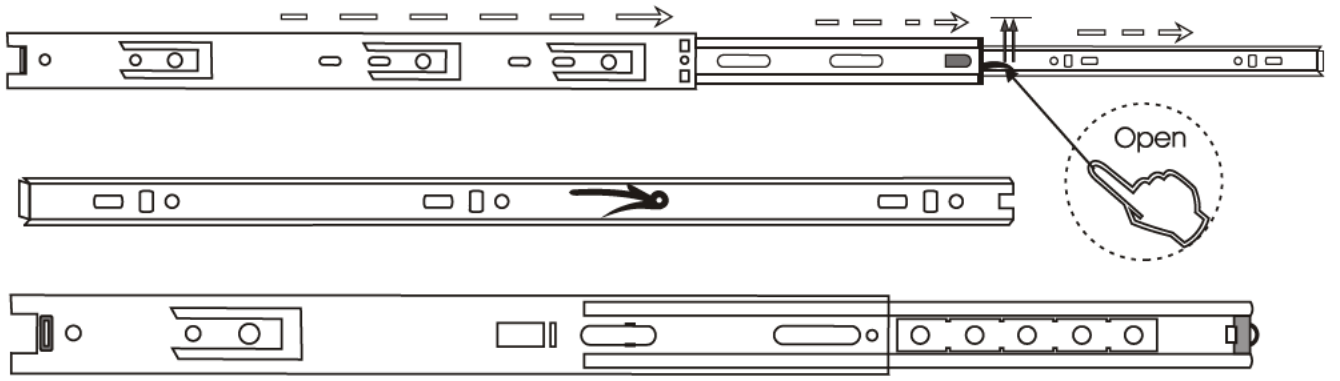
B10  4 X	A1 Minifix  18 X	A2 Minifix  18 X	B6  4 X
Z15  2 X	A3  18 X	N20  24 X	 2 X

General view

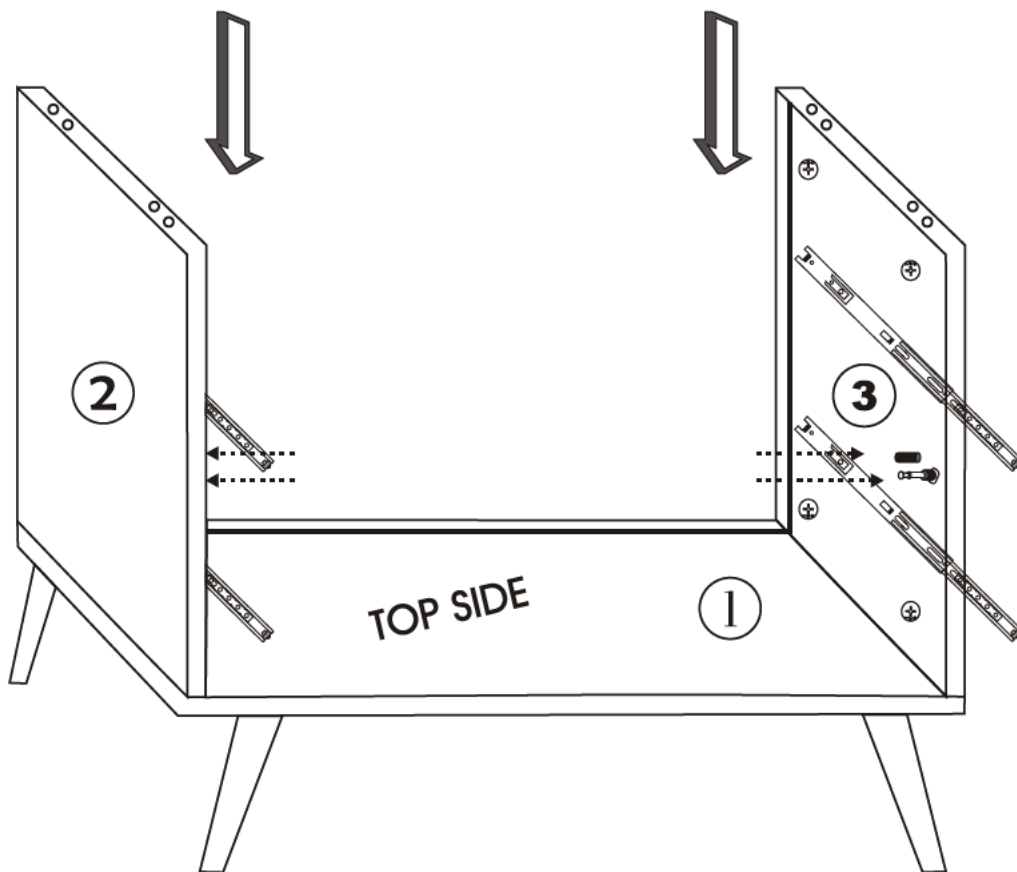
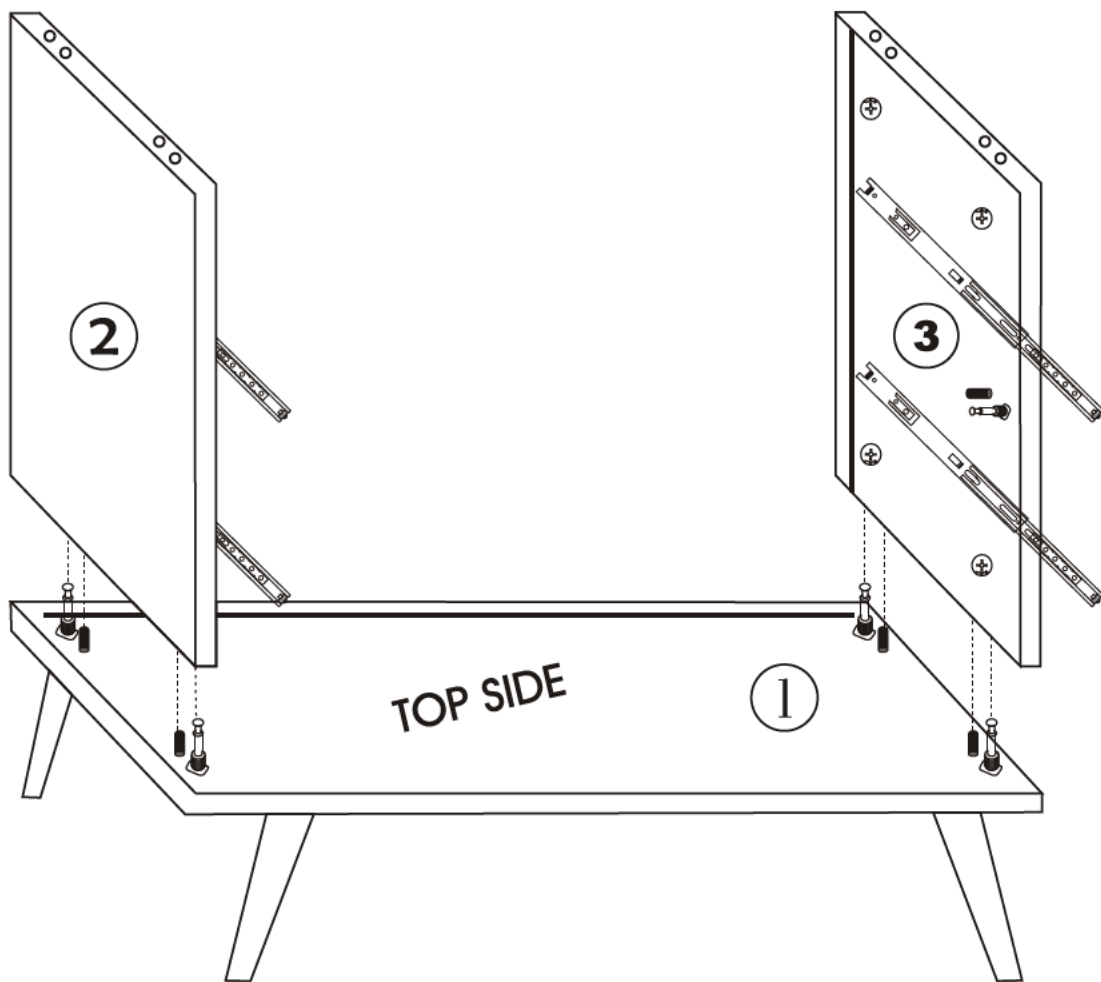


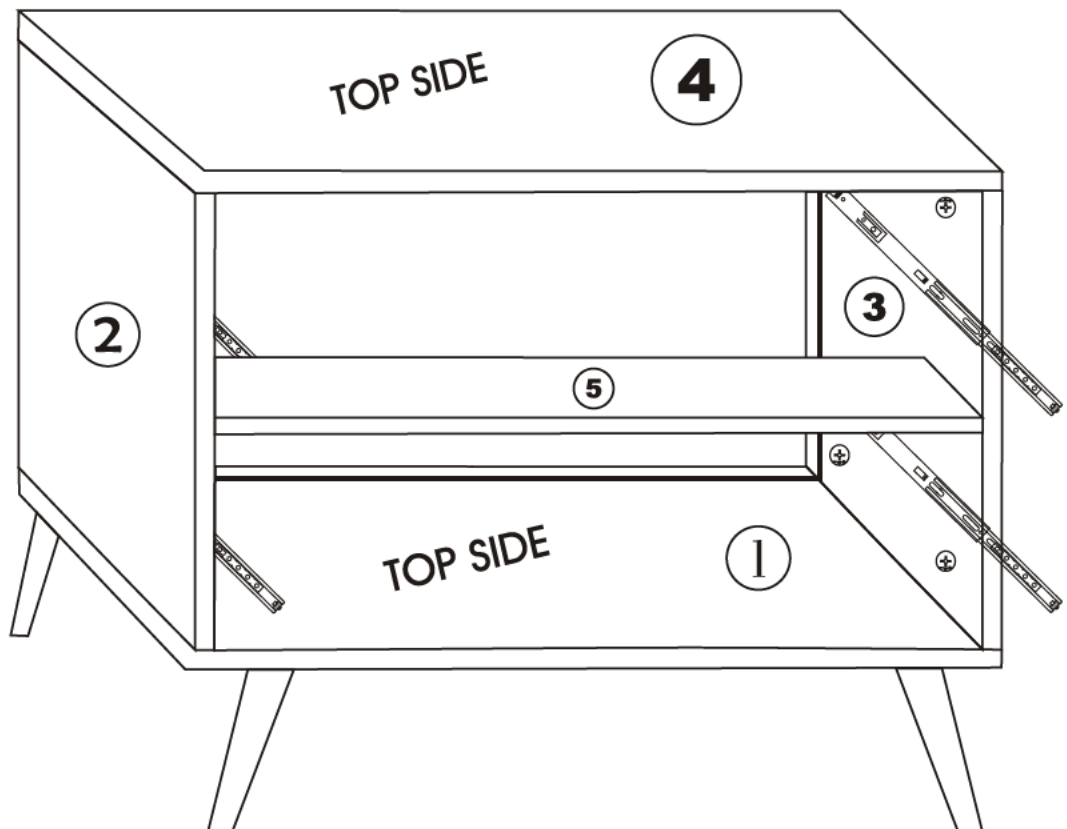
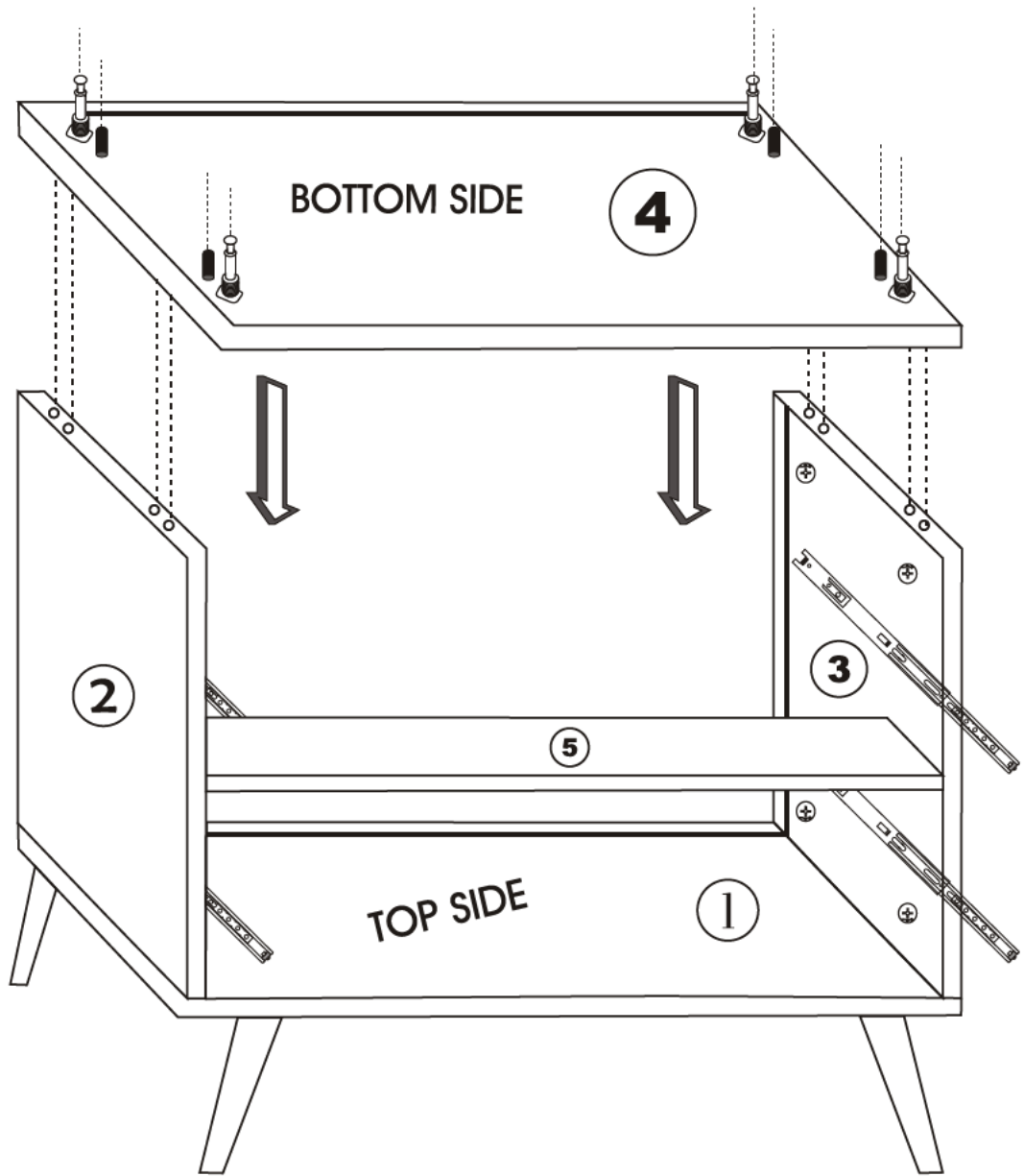
2

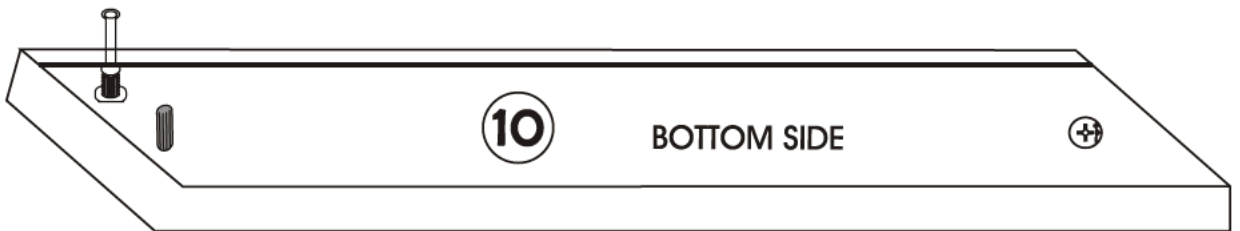
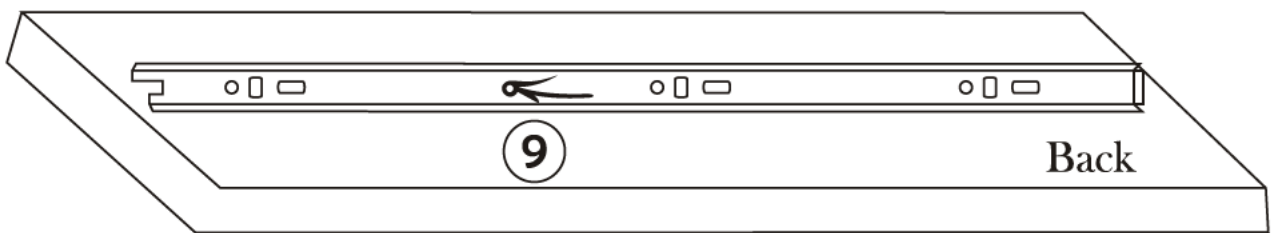
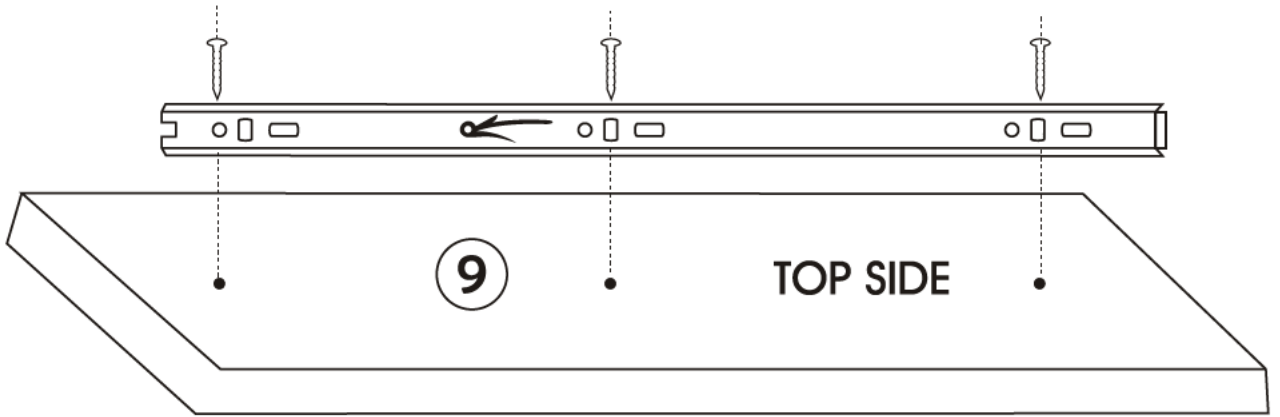
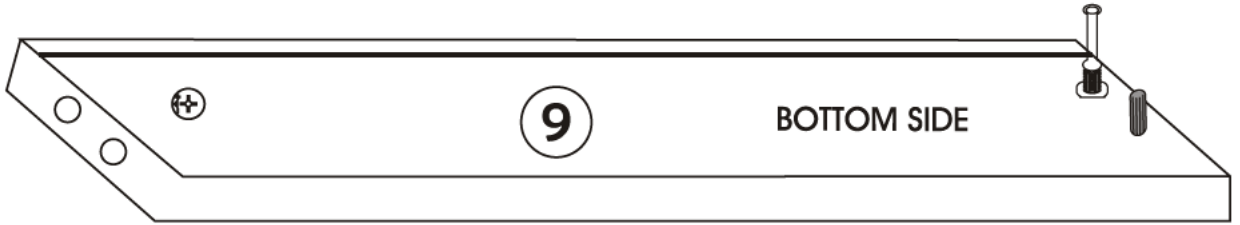




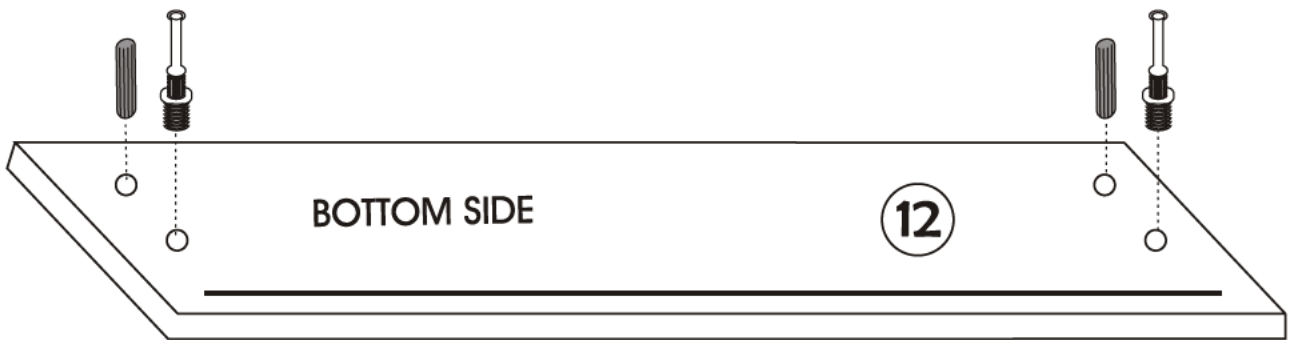
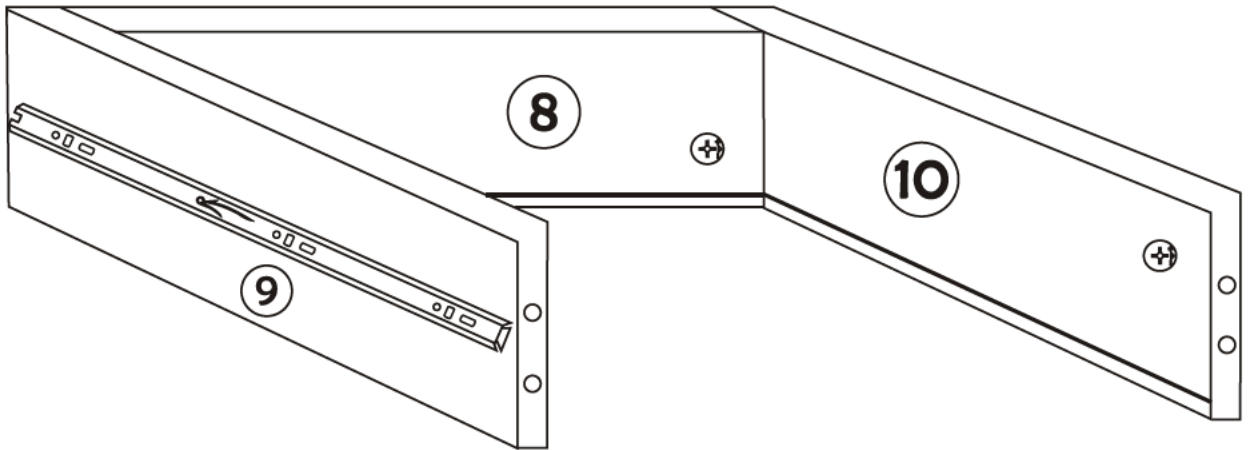
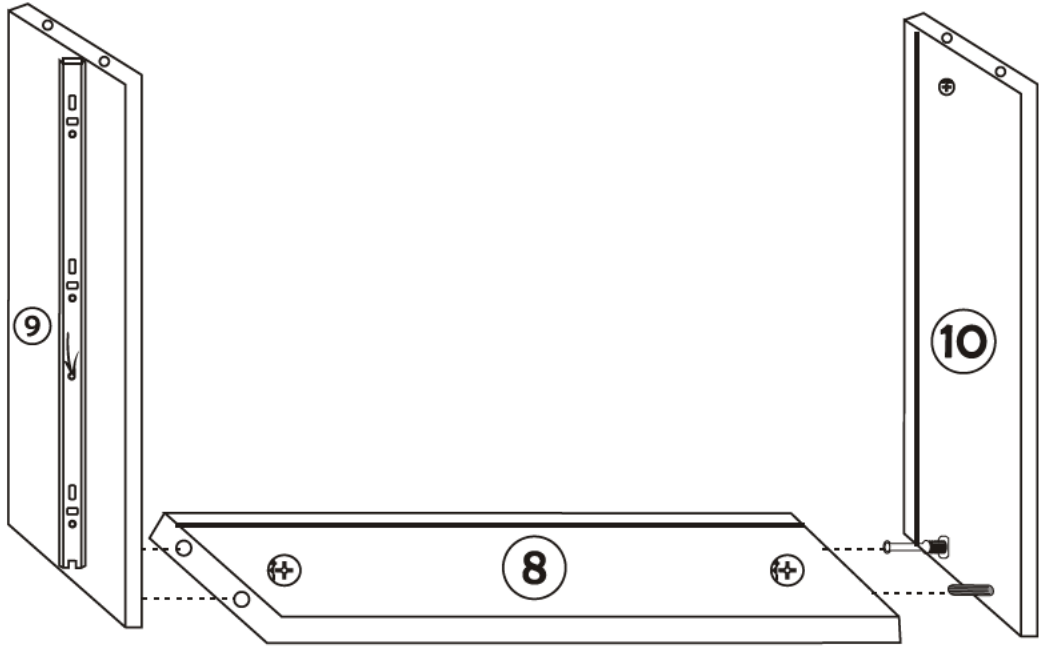
4







7



8

